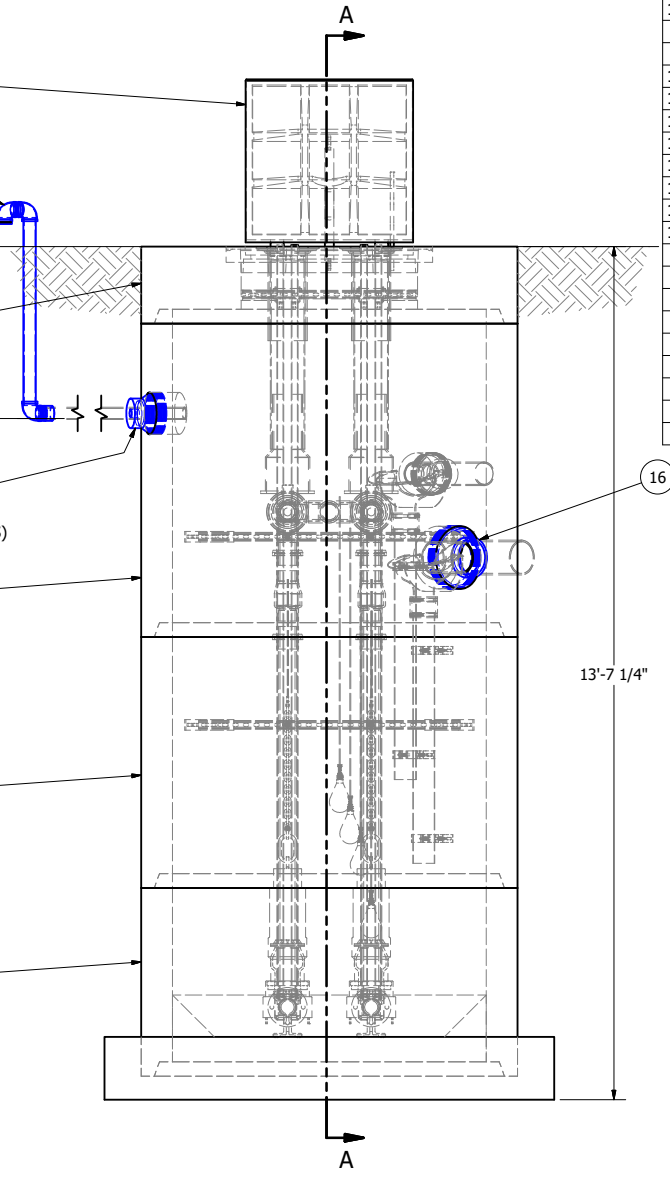
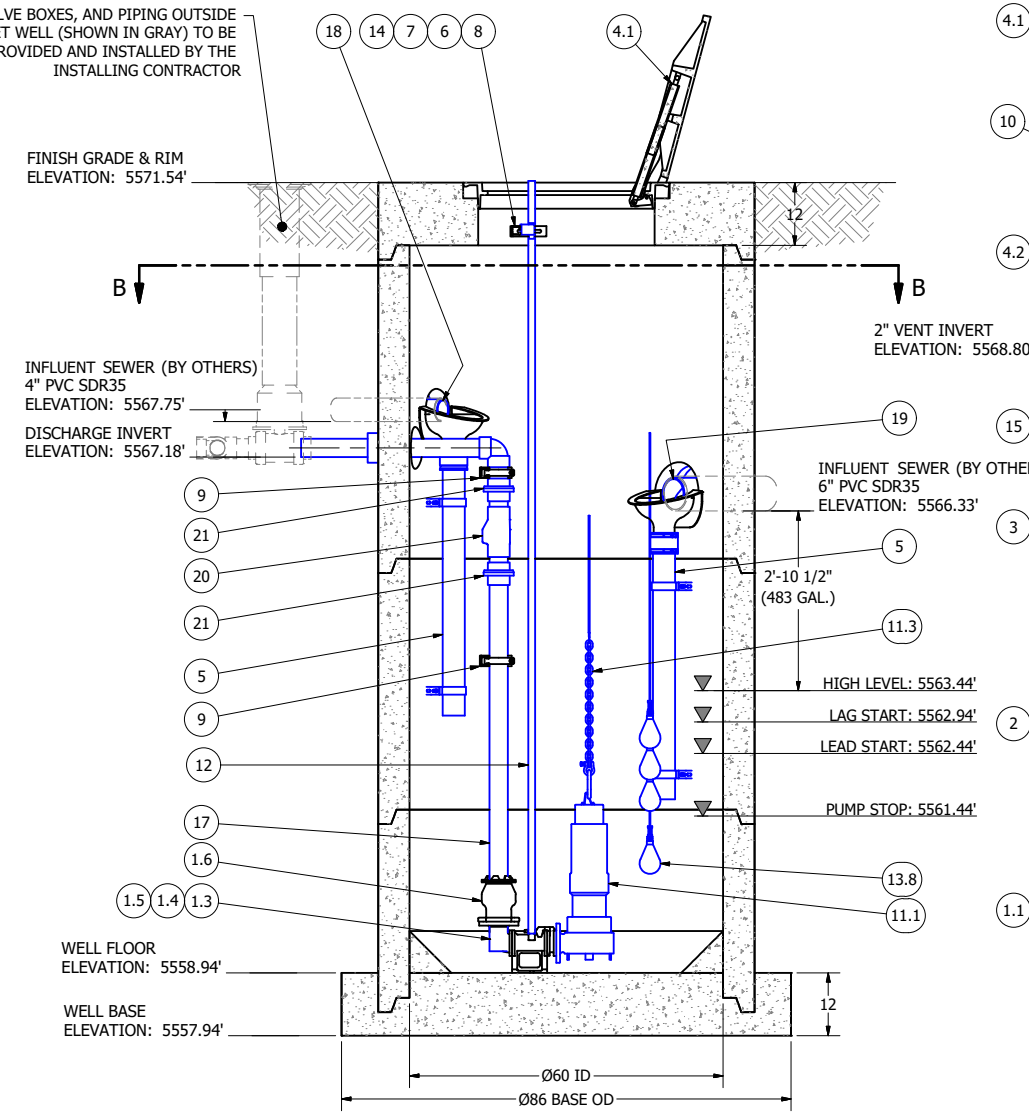
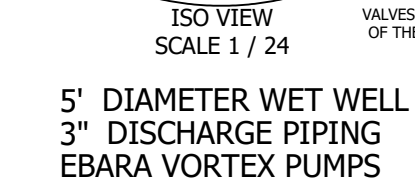


PRIMARY SENSOR ELEVATION TABLE		
DESCRIPTION	ELEVATION	Δ
INFLUENT INVERT	5566.33'	2.89'
HIGH LEVEL ALARM	5563.44'	0.50'
LAG PUMP START	5562.94'	0.50'
LEAD PUMP START	5562.44'	1.00'
PUMP STOP	5561.44'	2.50'
WELL FLOOR	5558.94'	

PARTS LIST			
ITEM	QTY	STOCK NUMBER	DESCRIPTION
1	1	10-CB000000	BASE SLAB ASSEMBLY
1.1	1	10-CB05360W	BASE - W/W - 5ft DIA x 36in (WILSONVILLE)
1.2	1	10-GR050000	GROUT RING - 5ft DIA - 8in
1.3	2	31-EL2H03EB	DISCHARGE ELBOW - 2.5in x 3in - EBARA
1.4	2	31-HW00AKS6	ANCHOR KIT - 316SS - DISCHARGE ELBOW
1.5	2	31-QD2HLM6B	QDC - 2.5in - LM65 - EBARA
1.6	2	44-AD03HYGP	FLANGE ADAPTER - 3in - HYMAX GRIP
2	1	12-CR05480W	BARREL - 5ft DIA x 4ft H
3	1	12-CR05600W	BARREL - 5ft DIA x 5ft H
4	1	14-CT000000	TOP SLAB ASSEMBLY
4.1	1	13-HH3030D0	HATCH - DI - 30in x 30in
4.2	1	14-CT05HD00	TOP SLAB - 5ft DIA - H20
5	2	15-DB000000	DROP BOWL ASSEMBLY - 4in THRU 6in INLET
6	2	17-AC38000B	BOLT KIT - 316SS - UPPER GUIDE BAR BRACKET
7	2	17-UG01S6EB	BRACKET - 316SS - UPPER GUIDE BAR - 1in
8	2	18-AC00001B	WALL BRACKET - 316SS - DISCHARGE SUPPORT
9	2	18-BR000000	BRACKET - 316SS - DISCHARGE SUPPORT
10	1	18-VT0200S4	VENT ASSEMBLY - 316SS - 2in SCH40
10.1	1	18-99999999	VENT CAP - 304SS - 2in
10.2	3.0 ft	40-PP0200S4	PIPE - 304SS SCH40 - 2in DIA
10.3	1	40-TT0202S4	NIPPLE - 304SS - 2in DIA x 2in
10.4	3	46-EL0290S4	ELBOW - 304SS - 2in x 90deg - FNPT
10.5	1	55-HW999999	SCREEN - 316 STAINLESS STEEL
10.6	1	74-AD02008M	ADAPTER - PVC SCH80 - 2in - SLIP x MNTP
11	1	30-PU000000	PUMP SHIPPING CRATE
11.1	2	30-PU0000EB	PUMP - EBARA 80DVFU61.5 - 2HP
11.2	2	30-PUCABL02	PUMP OPTION: LONG CABLES - 75ft - 2HP
11.3	2	32-AC0000EB	LIFTING ASSEMBLY - 316SS
11.4	2	32-CGSS0000	CABLE SUPPORT GRIP - 304SS - 0.75in-0.99in
11.5	1	32-PL000000	LIFTING RING - PUMP
12	48.0 ft	40-PP0100S4	PIPE - 304SS SCH40 - 1in DIA (4 @ 11ft)
13	1	50-AC000000	WELL SHIPPING CRATE
13.1	3	12-GS000001	BARREL - GASKET
13.2	1	13-KY000000	HATCH KEY
13.3	4	18-AC00CH00	CABLE HANGER ASSEMBLY - 316SS
13.4	4	18-HD080000	LIFTING CLUTCH
13.5	1	51-AC00NSTB	NEVER SIEZE - TUBE
13.6	57 ft	51-BT060000	JOINT WRAP - 6in - BOA TAPE
13.7	63 ft	51-SE3Q3QSL	SEALANT - 0.75in - CONSEAL CS-202
13.8	4	80-FS20MSNL	FLOAT - 20m - MS1 - NOLTA
14	2.8 ft	50-US0000S6	STRUT CHANNEL - 316SS - SLOTTED
15	4	59-KB080400	KOR-N-SEAL - 8in CORE - 4in thru 1.5in PIPE
16	1	59-KB1206SS	KOR-N-SEAL - 12in CORE x 6in PVC SDR35 PIPE
17	21 ft	70-PP0300P8	PIPE - PVC SCH80 - 3in DIA
18	1	72-CV04TFCM	CHECK VALVE - 4in - TIDEFLEX CHECKMATE
19	1	72-CV06TFCM	CHECK VALVE - 6in - TIDEFLEX CHECKMATE
20	2	72-QC03ZUP8	CHECK VALVE - 3in - ZOELLER QUIET CHECK
21	4	74-UN03SSP8	UNION - PVC SCH80 - 3in SLIP
22	2	76-EL039080	ELBOW - PVC SCH80 - 3in x 90deg - SLIP

NOTE: TOP SLAB AND HATCH ARE H2O FULL TRAFFIC (16 KIPS) RATED



COLOR LEGEND

- MAJOR CONCRETE COMPONENTS WITH PRE-INSTALLED COMPONENTS.
- COMPONENTS PRE-ASSEMBLED TO THE EXTENT POSSIBLE AND WILL NEED TO BE FIELD INSTALLED.

NOTE: PRE-ASSEMBLY IS DONE AT ROMTEC UTILITIES' DISCRETION AND MAY CHANGE AT THE TIME OF PRODUCTION.

ALL MATERIALS SHOWN ON THIS SHEET WILL BE SUPPLIED BY ROMTEC UTILITIES AND DELIVERED TO THE SITE AFTER THE HOLE HAS BEEN EXCAVATED AND SHORED. THE CONTRACTOR SHALL SUPPLY A CRANE OF SUFFICIENT SIZE TO LOWER ALL THE CONCRETE PIECES INTO THE HOLE SAFELY. THE CONTRACTOR SHALL INSTALL THE WET WELL (AND VALVE VAULT AND METERING VAULT IF APPLICABLE). ROMTEC UTILITIES WILL PROVIDE A REPRESENTATIVE FOR TECHNICAL ASSISTANCE ON THE DAY OF INSTALLATION TO ANSWER ANY QUESTIONS THAT MAY ARISE. THE CONTRACTOR IS RESPONSIBLE FOR ALL PLUMBING AND ELECTRICAL CONNECTIONS AND INSTALLATION. ITEMS NOTED AS "BY OTHERS" WILL BE PROVIDED AND INSTALLED BY THE CONTRACTOR. ROMTEC UTILITIES WILL NOT INSTALL ANY OF THE COMPONENTS SHOWN ON THIS PAGE.

© 2019 ROMTEC INC. ALL RIGHTS RESERVED. THESE PLANS AND DRAWINGS MAY NOT BE REPRODUCED, ADAPTED, OR FURTHER DISTRIBUTED, AND NO COMPONENTS MAY BE CONSTRUCTED FROM THESE PLANS, WITHOUT WRITTEN PERMISSION OF ROMTEC, INC.

NOTE: INTERIOR AND EXTERIOR COATINGS ARE BY THE INSTALLING CONTRACTOR. NOT BY ROMTEC UTILITIES.

ALL ITEMS EXTERNAL TO THE ROMTEC UTILITIES SUPPLIED SYSTEM ARE BY THE INSTALLING CONTRACTOR.

NOTE: CONDUIT TO CONTROL PANEL (BY OTHERS) MINIMUM: (2) FOR POWER (1) FOR LEVEL SENSING

NOTE: CONTRACTOR TO SEAL ALL CONCRETE JOINTS AND PIPE PENETRATIONS WITH NON-SHRINK GROUT

NOTE: ALL DIMENSIONS AND ELEVATIONS SHOWN ARE NOMINAL DIMENSIONS. IT IS THE RESPONSIBILITY OF THE ON-SITE CONTRACTOR OR ROMTEC UTILITIES CUSTOMER (NOT ROMTEC UTILITIES) TO VERIFY THE ACCURACY OF ANY CRITICAL DIMENSIONS OR ELEVATIONS PRIOR TO SETTING OR INSTALLING ANY EQUIPMENT.

AD	BY	DATE	DESCRIPTION	REVISION HISTORY
AD	KB	11/25/2019	PER COMMENTS THRU 11-25-19	
AD	KB	10-16-19	PER COMMENTS THRU 10-15-19	
REV	DATE			

VERIFY SCALE	1"
DATE:	9-9-19

ROMTEC UTILITIES
 18240 NORTH BANK ROAD
 ROSEBURG, OREGON 97470
 PHONE: (541) 496-9678
 WWW.ROMTECUTILITIES.COM

MT. ROSE
 RENO, NV

WET WELL ASSEMBLY
COMPONENT DRAWING

MECHANICAL SHEET
 3 OF 3