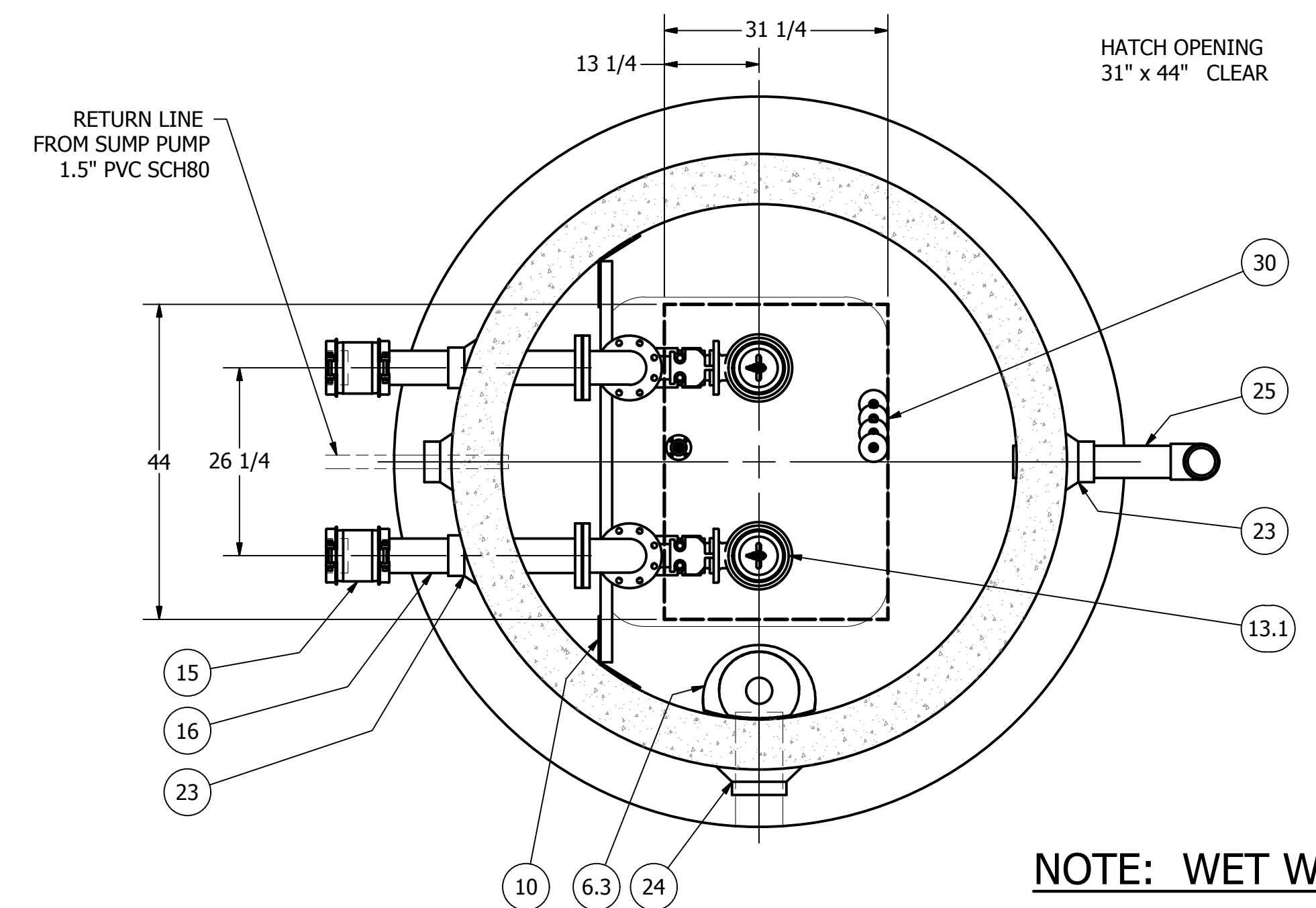


ISO VIEW
SCALE 1 / 30



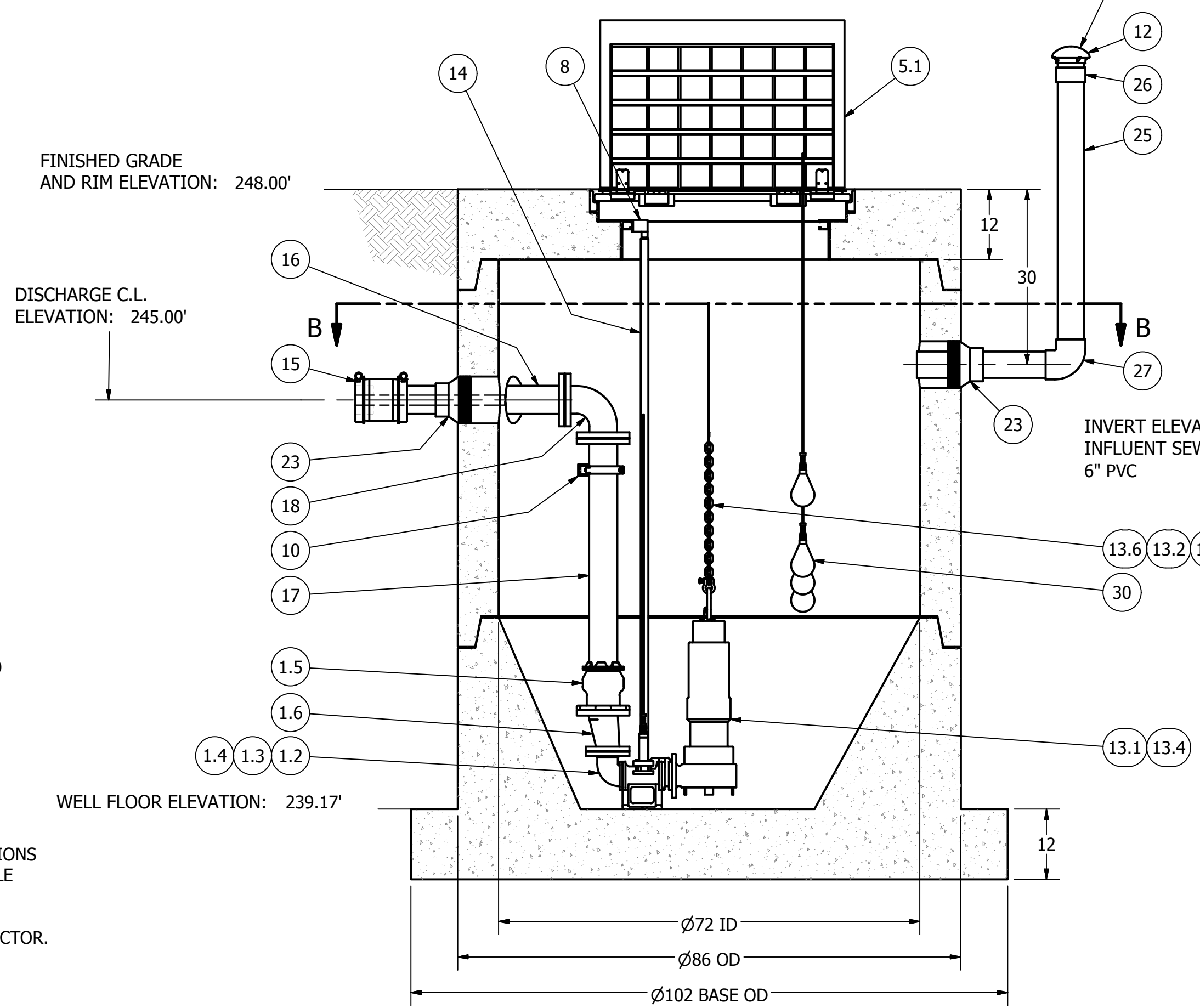
TOP VIEW
SECTION B-B
SCALE 1 / 18

SENSOR AND ELEVATION TABLE		
LEVEL ELEVATION	DISTANCE BETWEEN POINTS	SET POINT DESCRIPTION
244.53'		INVERT IN
244.50'		BACK UP PUMPS START
	1.00'	SENSOR SPACING
243.50'		BACK UP PUMPS STOP
	0.25'	SENSOR SPACING
243.25'		BACK UP HL ALARM
242.90'		HIGH LEVEL ALARM
	0.25'	SENSOR SPACING
242.65'		LAG PUMP START
	0.25'	SENSOR SPACING
242.40'		LEAD PUMP START
	1.00'	SENSOR SPACING
241.40'		PUMP STOP
	2.23'	DISTANCE TO FLOOR
239.17'		FLOOR ELEVATION

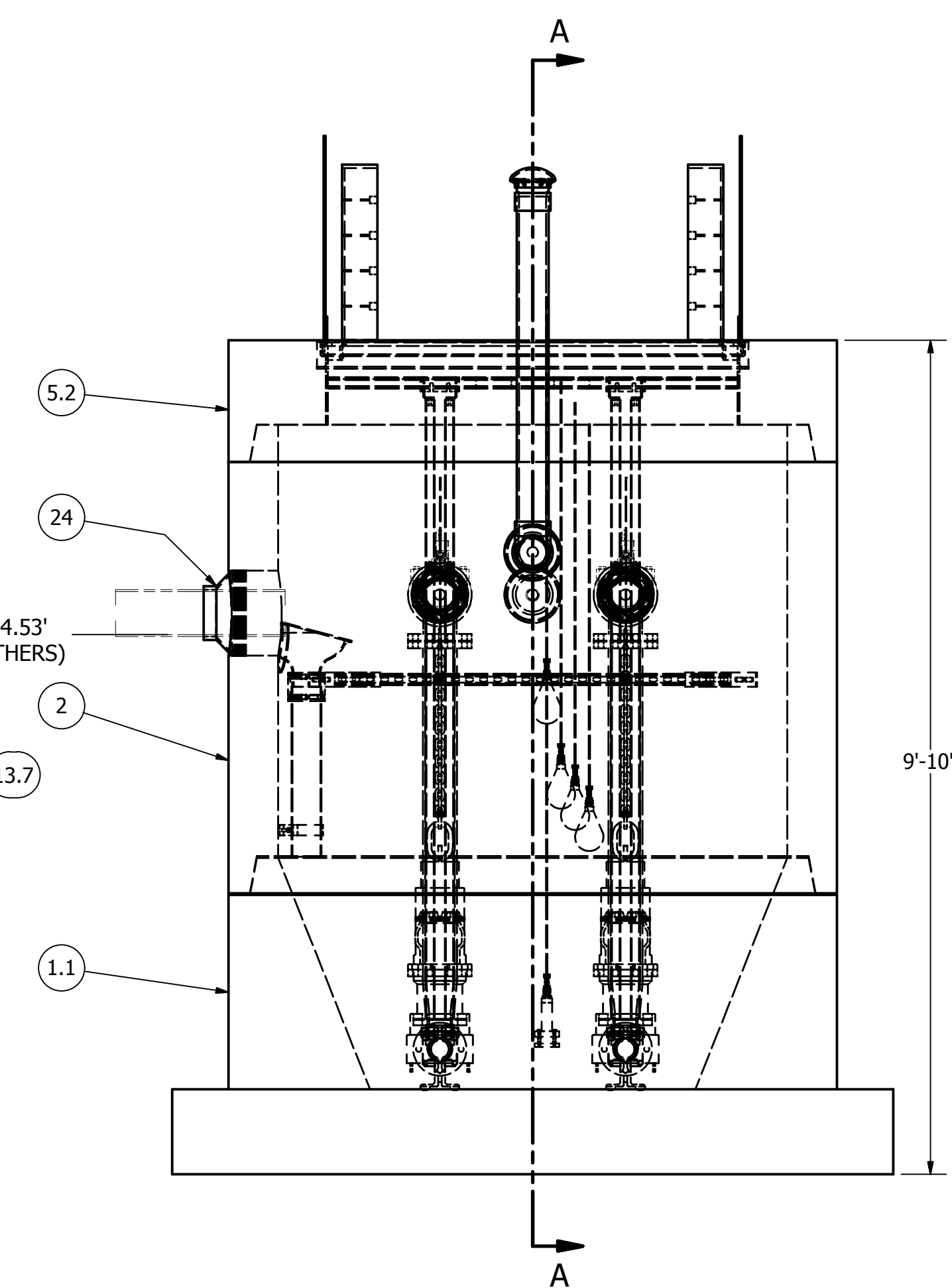
		PARTS LIST	
ITEM	QTY	STOCK NUMBER	DESCRIPTION
1	1	10-CB000000	BASE SLAB ASSEMBLY
1.1	1	10-CB068HRD	BASE - WW - 6ft DIA - RU DESIGN - ROUND
1.2	2	31-EL2H03EB	DISCHARGE ELBOW - 2.5in X 3in - EBARA
1.3	2	31-HW00AKS6	ANCHOR KIT - DISCHARGE ELBOW
1.4	2	31-QD2HLM6B	QDC - 2.5in - LM65 - EBARA
1.5	2	44-AD04RMAL	FLANGE ADAPTER - 4in - ALPHA
1.6	2	48-RD0403DE	REDUCER - DI - 4in x 3in - ECCENTRIC
1.7	2	49-GS030000	GASKET - FLANGE - 3in
2	1	12-CR066000	BARREL - 6ft DIA x 6in H
3	2	12-GS000001	BARREL - GASKET
4	1	13-KY000000	HATCH KEY
5	1	14-CT000000	TOP SLAB ASSEMBLY
5.1	1	13-HH06HD0E	HATCH - H20 - 6ft - 33.5in x 44in
5.2	1	14-CT06HD00	TOP SLAB - 6ft DIA - H20
6	1	15-DB000000	DROP BOWL ASSEMBLY
6.1	1	15-BR04SS35	BRACKET - PIPE - 4in -SS35 - SDR35
6.2	1	15-CP040000	COUPLING - FERNCO - 4in
6.3	1	15-DB040604	DROP BOWL - 4in thru 6in INLET x 4in OUTLET
6.4	2	15-HWDBANCH	ANCHOR - DROP BOWL
6.5	2.0 ft	70-PP0400DR	PIPE - PVC SDR35 - 4in DIA
7	2	17-AC38000B	BOLT - UPPER GUIDE BAR BRACKET - 3-8in
8	2	17-UG01S4EB	BRACKET - 304SS - UPPER GUIDE BAR - 1in - EBARA
9	4	18-AC00CH00	CABLE HANGER ASSEMBLY
10	1	18-BR000000	DISCHARGE BRACKET ASSEMBLY
10.1	1	18-AC00000B	BOLT KIT - 316SS - WALL BRACKET
10.2	2	18-AC00001B	WALL BRACKET - DISCHARGE SUPPORT
10.3	2	18-AC010HSB	HARDWARE KIT - DISCHARGE CLAMP
10.4	2	18-AC04CLS6	DISCHARGE CLAMP - 316SS - 4in - STRUTMOUNT
10.5	4.7 ft	50-US0000S6	UNISTRUT - 316SS - SLOTTED
11	4	18-HD040000	LIFTING CLUTCH - 4 TON
12	1	18-VT0000MC	VENT - MUSHROOM CAP
13	1	30-PU000000	PUMP SHIPPING CRATE
13.1	2	30-PU0000EB	PUMP - EBARA 80DVFU61.52 - 2HP - 200V/3PHASE
13.2	2	32-AC580LNK	LINK - 316SS - .625in - OBLONG - 2800# WLL
13.3	2	32-BS7160SS	BOW SHACKLE - 316SS - 7-16in
13.4	2	32-CGA000SS	CORD GRIP - .750in - .990 - SS
13.5	1	32-PL000000	LIFTING RING - PUMP
13.6	4.0 ft	32-PL3800S6	CHAIN - 316SS - 3-8in S5
13.7	2	32-PLLSA000	LIFTING SLING ASSEMBLY - CABLE
14	30.0 ft	40-PP0100S4	PIPE - 304SS SCH40 - 1in DIA (4 x 7.5ft, GUIDE RAILS)
15	2	44-CP040AD0	COUPLING - 4in - ALPHA
16	2	45-FP040300	SPOOL - DI - 4in DIA x 30in - FLGxPE
17	2	45-FP040480	SPOOL - DI - 4in DIA x 48in - FLGxPE
18	2	46-EL0490DI	ELBOW - DI - 4in x 90deg - FLGxFLG
19	4	49-GS040000	GASKET - FLANGE - 4in
20	1	51-AC00NSTB	NEVER SIEZE - TUBE
21	58 ft	51-SE0101SL	JOINT SEALANT - 1in x 1in - 14.5ft/ROLL - CS-202
22	45 ft	51-TC060000	TAPECOAT - 6in
23	4	59-KB080400	KOR-N-SEAL - 8in CORE THRU 4in PIPE
24	1	59-KB1206DI	KOR-N-SEAL - 12in CORE x 6in DI PIPE
25	6.0 ft	70-PP0400P8	PIPE - PVC SCH80 - 4in DIA
26	1	74-AD04008M	ADAPTER - PVC SCH80 - 4in - SLIP x MNPT
27	1	76-EL049080	ELBOW - PVC SCH80 - 4in x 90deg - SLIP
28	1	80-BR00PT00	BRACKET - PRESSURE TRANSDUCER
29	1	80-FI00PT00	DESSICANT FILTER - PRESSURE TRANSDUCER
30	4	80-FS20MSNL	FLOAT - 20m - MS1 - NOLTA
31	1	80-PT0500TD	PRESSURE TRANSDUCER - 0-5 PSI - 50ft CABLE

NOTE: WET WELL TOP SLAB IS H-20 OCCASIONAL TRAFFIC RATED

MUSHROOM CAP VENT (PROVIDED).
ALTERNATE INSTALLATION: CONNECT THE VENT
PIPING TO THE BUILDING'S SEWER VENT,
OR PLUMB TO AN ACCEPTABLE LOCATION
TO AVOID NUISANCE ODORS.



PROFILE VIEW
SECTION A-A
SCALE 1 / 18



FRONT VIEW
SCALE 1 / 18

NOTE: CONTRACTOR TO GROUT SEAL ALL
CONCRETE JOINTS AND PIPE PENETRATIONS

NOTE:
CONDUIT TO CONTROL PANEL (BY OTHERS)
MINIMUM:
(2) FOR POWER
(1) FOR LEVEL SENSING

ALL MATERIALS SHOWN ON THIS SHEET WILL BE
SUPPLIED BY ROMTEC UTILITIES AND DELIVERED TO
THE SITE AFTER THE HOLE HAS BEEN EXCAVATED
AND SHORED. THE CONTRACTOR SHALL SUPPLY A
CRANE OF SUFFICIENT SIZE TO LOWER ALL THE
CONCRETE PIECES INTO THE HOLE SAFELY. THE
CONTRACTOR SHALL INSTALL THE WET WELL
(AND VALVE VAULT AND METERING VAULT IF
APPLICABLE). ROMTEC UTILITIES WILL PROVIDE A
REPRESENTATIVE FOR TECHNICAL ASSISTANCE ON
THE DAY OF INSTALLATION TO ANSWER ANY QUESTIONS
THAT MAY ARISE. THE CONTRACTOR IS RESPONSIBLE
FOR ALL PLUMBING AND ELECTRICAL CONNECTIONS
AND INSTALLATION. ITEMS NOTED AS "BY OTHERS"
WILL BE PROVIDED AND INSTALLED BY THE CONTRACTOR.
ROMTEC UTILITIES WILL NOT INSTALL ANY OF THE
COMPONENTS SHOWN ON THIS PAGE.

© 2017 ROMTEC INC. ALL RIGHTS RESERVED. THESE
PLANS AND DRAWINGS MAY NOT BE REPRODUCED,
ADAPTED, OR FURTHER DISTRIBUTED, AND NO
COMPONENTS MAY BE CONSTRUCTED FROM THESE
PLANS, WITHOUT WRITTEN PERMISSION OF ROMTEC, INC.

NOTE: ALL DIMENSIONS AND ELEVATIONS SHOWN
ARE NOMINAL DIMENSIONS. IT IS THE RESPONSIBILITY
OF THE ON-SITE CONTRACTOR OR ROMTEC UTILITIES
CUSTOMER (NOT ROMTEC UTILITIES) TO VERIFY THE
ACCURACY OF ANY CRITICAL DIMENSIONS OR ELEVATIONS
PRIOR TO SETTING OR INSTALLING ANY EQUIPMENT.

REV	DESCRIPTION	DATE	APPROV
1	DESIGN SUBMITTAL	9-29-17	KB
2	PRODUCTION LAUNCH	1-30-18	KB
3	CHANGED POWER TO 208V/3PHASE	1-31-18	AD
4	AS BUILT, ADJUSTED FLOOR ELEV. FOR 61" TALL BARREL	3-23-18	AD

REV	DESCRIPTION	DATE	APPROV
1	DESIGN SUBMITTAL	9-29-17	KB
2	PRODUCTION LAUNCH	1-30-18	KB
3	CHANGED POWER TO 208V/3PHASE	1-31-18	AD
4	AS BUILT, ADJUSTED FLOOR ELEV. FOR 61" TALL BARREL	3-23-18	AD

VERIFY SCALE
BAR IS ONE INCH ON ORIGINAL DRAWING
IF NOT ONE INCH ON SCALES ACCORDINGLY

DATE - 12-6-16

QUOTE
DRAWING

ROMTEC UTILITIES
18240 NORTH BANK ROAD
ROSEBURG, OREGON 97470
(541) 496-9678
FAX (541) 496-0804

HEART OF LOS ANGELES
PERFORMING ARTS & ENRICHMENT CENTER

**WASTEWATER LIFT STATION
WET WELL ASSEMBLY**

SHEET
1 OF 3

JOB NUMBER
**RMTC
0000**