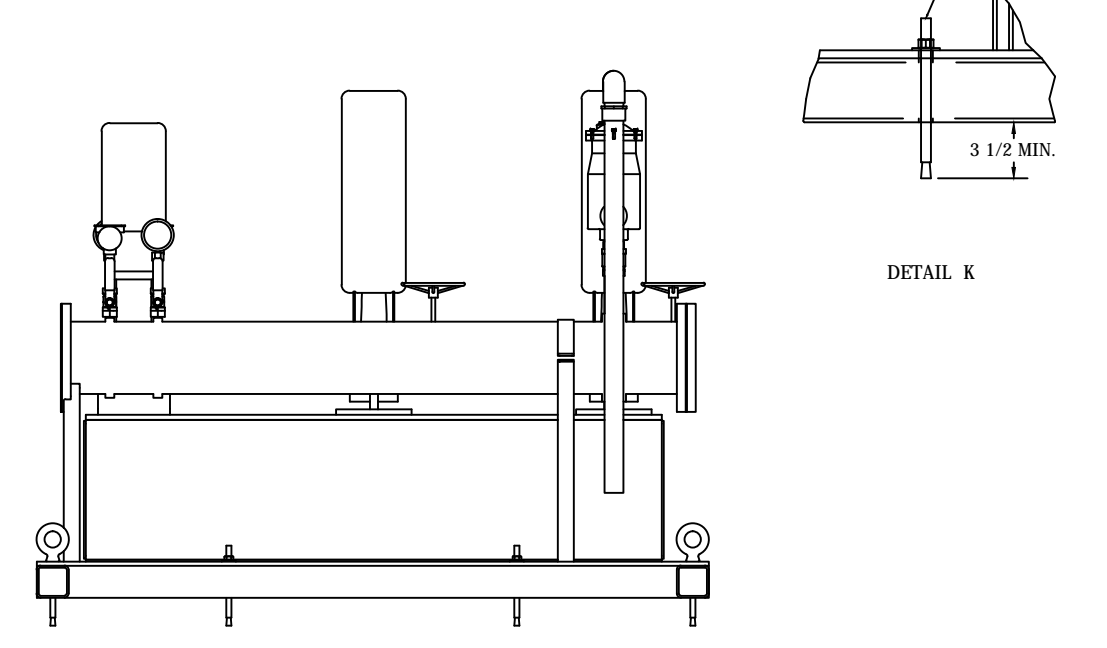
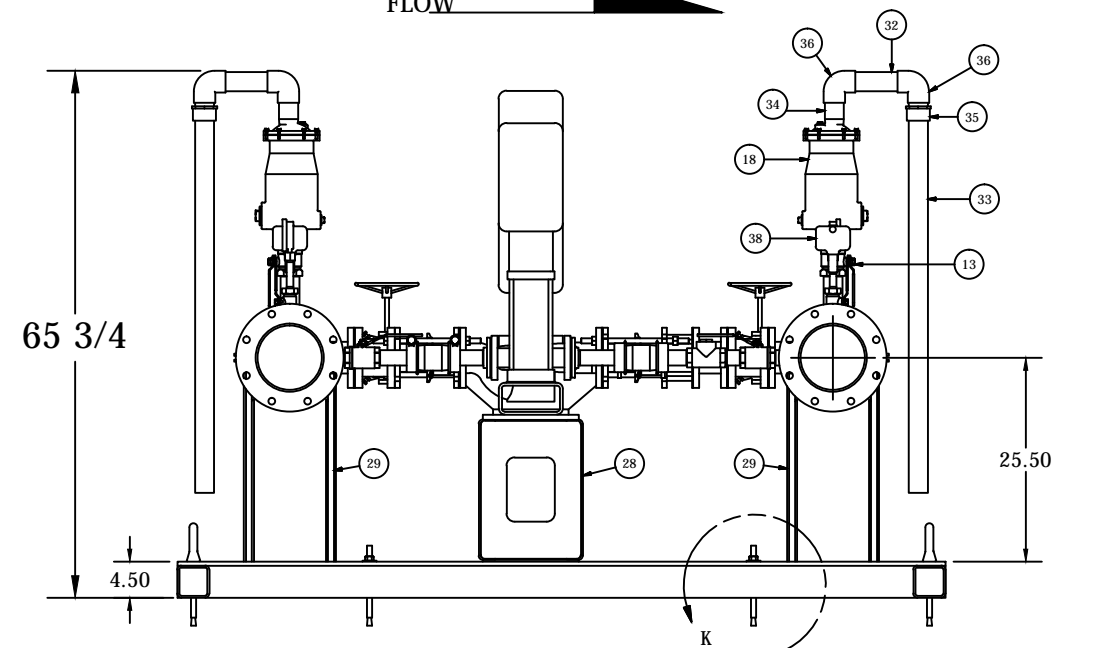


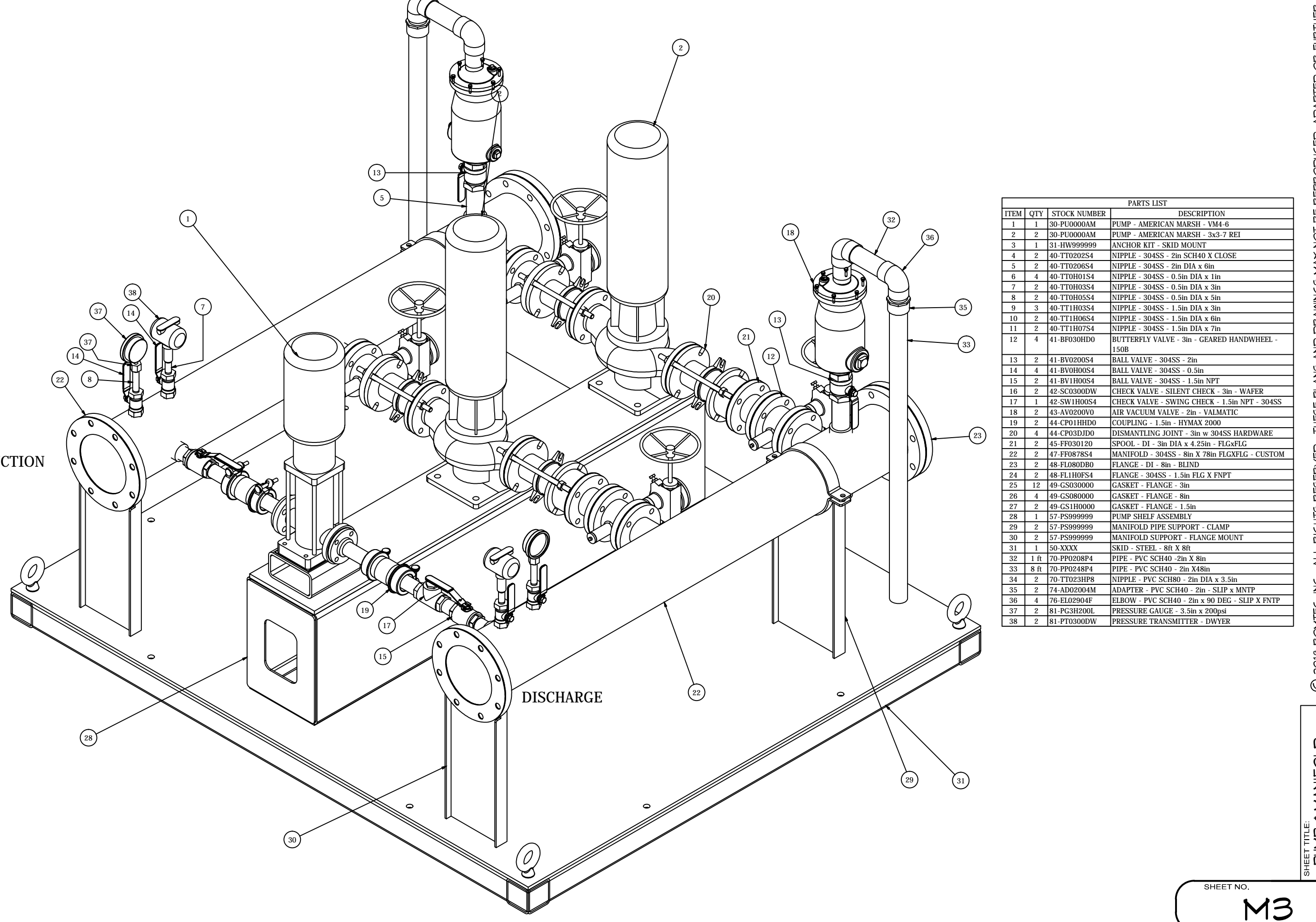
ITEM	QTY	STOCK NUMBER	DESCRIPTION
1	1	00-PL0000AM	PUMP - AMERICAN MARSH - VM 6
2	2	00-PL0000AM	PUMP - AMERICAN MARSH - 263-7 REF
3	1	01-00000000	ANCHOR KIT - 8000 MOUNT
4	2	80-TT000054	NIPPLE - 30ASS - 2in SCH40 X CLOSE
5	4	80-TT000054	NIPPLE - 30ASS - 2in DIA X 2in
6	1	80-TT000054	NIPPLE - 30ASS - 2in DIA X 3in
7	2	80-TT000054	NIPPLE - 30ASS - 2in DIA X 4in
8	2	80-TT000054	NIPPLE - 30ASS - 2in DIA X 5in
9	3	80-TT000054	NIPPLE - 30ASS - 1.5in DIA X 3in
10	2	80-TT000054	NIPPLE - 30ASS - 1.5in DIA X 4in
11	2	80-TT000054	NIPPLE - 30ASS - 1.5in DIA X 7in
12	4	81-BP000000	BUTTERFLY VALVE - 3in - GEARED HANDWHEEL - 150B
13	2	81-BV000004	BALL VALVE - 30ASS - 2in
14	4	81-BV000004	BALL VALVE - 30ASS - 0.5in
15	2	81-BV100004	BALL VALVE - 30ASS - 1.5in NPT
16	1	81-SC000000	CHECK VALVE - SILENT CHECK - 3in - WAFER
17	1	81-SC100004	CHECK VALVE - SILENT CHECK - 1.5in NPT - 30ASS
18	2	81-AS000000	AIR VACUUM VALVE - 2in - VALMATIC
19	2	84-CP010000	COUPLING - 1.5in - HYMAX 2000
20	2	84-CP010000	COUPLING - 1.5in - HYMAX 2000
21	2	84-CP010000	COUPLING - 1.5in - HYMAX 2000
22	2	84-FL000000	FLANGE - 1.5in DIA X 4.5in - FLG x PIP
23	2	84-FL000000	FLANGE - 1.5in DIA X 4.5in - FLG x PIP
24	2	84-FL000000	FLANGE - 1.5in DIA X 4.5in - FLG x PIP
25	2	84-FL000000	FLANGE - 1.5in DIA X 4.5in - FLG x PIP
26	4	89-CS000000	GASKET - FLANGE - 3in
27	2	89-CS000000	GASKET - FLANGE - 1in
28	2	89-CS000000	GASKET - FLANGE - 1in
29	2	89-CS000000	GASKET - FLANGE - 1in
30	2	89-CS000000	GASKET - FLANGE - 1in
31	1	50-XXXX	SHED - STEEL - 8in X 8in
32	1	50-XXXX	SHED - STEEL - 8in X 8in
33	1	50-XXXX	SHED - STEEL - 8in X 8in
34	1	50-XXXX	SHED - STEEL - 8in X 8in
35	1	50-XXXX	SHED - STEEL - 8in X 8in
36	1	50-XXXX	SHED - STEEL - 8in X 8in
37	2	81-PC000000	PRESSURE GAUGE - 3in x 3in
38	1	81-PT000000	PRESSURE TRANSMITTER - 1/2in



SHEET NO. M2

© 2018 ROMTEC, INC. ALL RIGHTS RESERVED. THESE PLANS AND DRAWINGS MAY NOT BE REPRODUCED, ADAPTED OR FURTHER DISTRIBUTED, AND NO BUILDINGS MAY BE CONSTRUCTED FROM THESE PLANS, WITHOUT THE WRITTEN PERMISSION OF ROMTEC, INC.

SHEET TITLE: PUMP & MANIFOLD ASSEMBLY

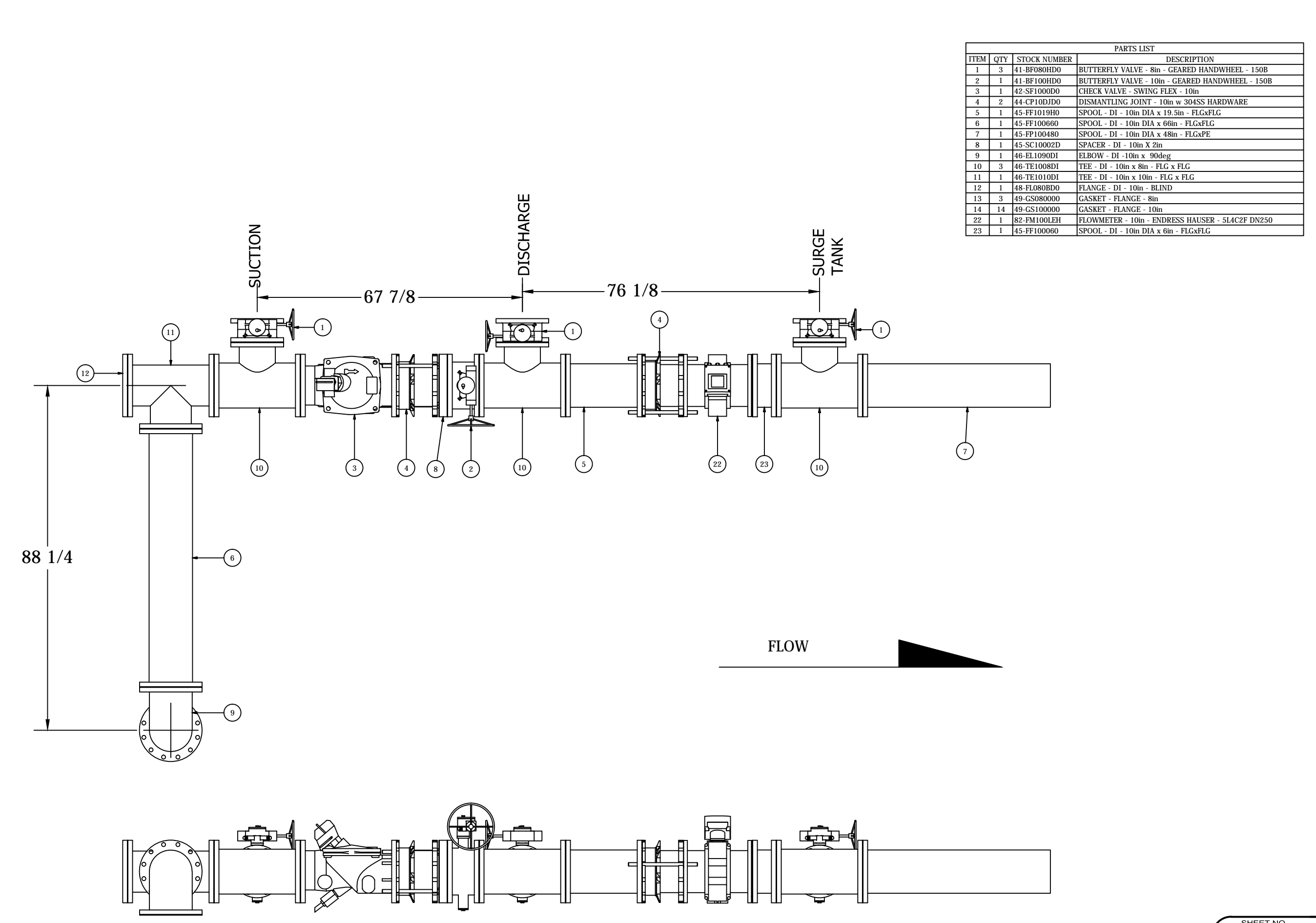


ITEM	QTY	STOCK NUMBER	DESCRIPTION
1	1	00-PL0000AM	PUMP - AMERICAN MARSH - VM 6
2	2	00-PL0000AM	PUMP - AMERICAN MARSH - 263-7 REF
3	1	01-00000000	ANCHOR KIT - 8000 MOUNT
4	2	80-TT000054	NIPPLE - 30ASS - 2in SCH40 X CLOSE
5	4	80-TT000054	NIPPLE - 30ASS - 2in DIA X 2in
6	1	80-TT000054	NIPPLE - 30ASS - 2in DIA X 3in
7	2	80-TT000054	NIPPLE - 30ASS - 2in DIA X 4in
8	2	80-TT000054	NIPPLE - 30ASS - 2in DIA X 5in
9	3	80-TT000054	NIPPLE - 30ASS - 1.5in DIA X 3in
10	2	80-TT000054	NIPPLE - 30ASS - 1.5in DIA X 4in
11	2	80-TT000054	NIPPLE - 30ASS - 1.5in DIA X 7in
12	4	81-BP000000	BUTTERFLY VALVE - 3in - GEARED HANDWHEEL - 150B
13	2	81-BV000004	BALL VALVE - 30ASS - 2in
14	4	81-BV000004	BALL VALVE - 30ASS - 0.5in
15	2	81-BV100004	BALL VALVE - 30ASS - 1.5in NPT
16	1	81-SC000000	CHECK VALVE - SILENT CHECK - 3in - WAFER
17	1	81-SC100004	CHECK VALVE - SILENT CHECK - 1.5in NPT - 30ASS
18	2	81-AS000000	AIR VACUUM VALVE - 2in - VALMATIC
19	2	84-CP010000	COUPLING - 1.5in - HYMAX 2000
20	2	84-CP010000	COUPLING - 1.5in - HYMAX 2000
21	2	84-CP010000	COUPLING - 1.5in - HYMAX 2000
22	2	84-FL000000	FLANGE - 1.5in DIA X 4.5in - FLG x PIP
23	2	84-FL000000	FLANGE - 1.5in DIA X 4.5in - FLG x PIP
24	2	84-FL000000	FLANGE - 1.5in DIA X 4.5in - FLG x PIP
25	2	84-FL000000	FLANGE - 1.5in DIA X 4.5in - FLG x PIP
26	4	89-CS000000	GASKET - FLANGE - 3in
27	2	89-CS000000	GASKET - FLANGE - 1in
28	2	89-CS000000	GASKET - FLANGE - 1in
29	2	89-CS000000	GASKET - FLANGE - 1in
30	2	89-CS000000	GASKET - FLANGE - 1in
31	1	50-XXXX	SHED - STEEL - 8in X 8in
32	1	50-XXXX	SHED - STEEL - 8in X 8in
33	1	50-XXXX	SHED - STEEL - 8in X 8in
34	1	50-XXXX	SHED - STEEL - 8in X 8in
35	1	50-XXXX	SHED - STEEL - 8in X 8in
36	1	50-XXXX	SHED - STEEL - 8in X 8in
37	2	81-PC000000	PRESSURE GAUGE - 3in x 3in
38	1	81-PT000000	PRESSURE TRANSMITTER - 1/2in

SHEET NO. M3

© 2018 ROMTEC, INC. ALL RIGHTS RESERVED. THESE PLANS AND DRAWINGS MAY NOT BE REPRODUCED, ADAPTED OR FURTHER DISTRIBUTED, AND NO BUILDINGS MAY BE CONSTRUCTED FROM THESE PLANS, WITHOUT THE WRITTEN PERMISSION OF ROMTEC, INC.

SHEET TITLE: PUMP & MANIFOLD ASSEMBLY

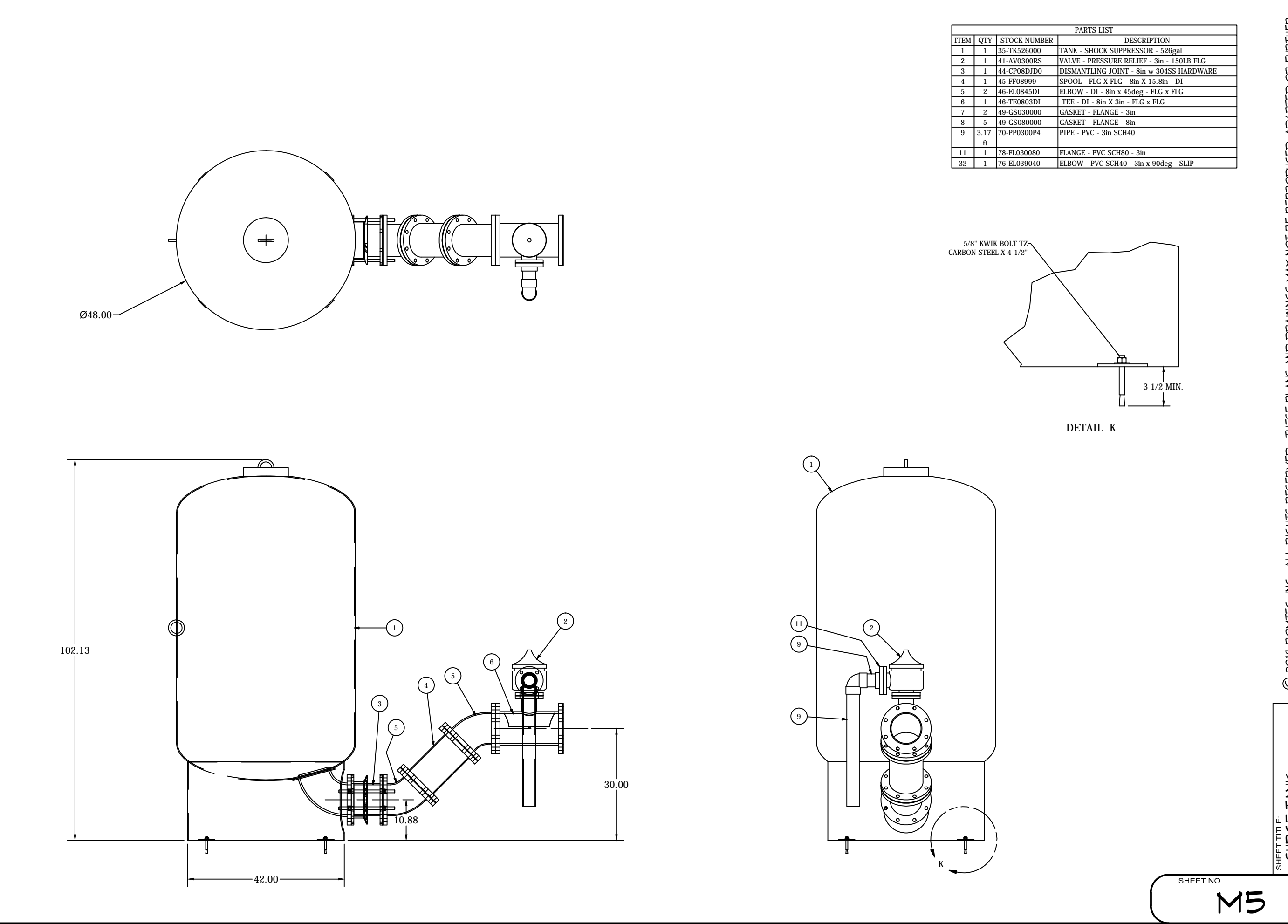


ITEM	QTY	STOCK NUMBER	DESCRIPTION
1	3	81-BP000000	BUTTERFLY VALVE - 8in - GEARED HANDWHEEL - 150B
2	1	81-BP100000	BUTTERFLY VALVE - 10in - GEARED HANDWHEEL - 150B
3	1	84-CP010000	CHECK VALVE - SILENT CHECK - 1in
4	4	84-CP010000	DISMANTLING JOINT - 1in x 3/8in - 30ASS
5	1	84-CP010000	DISMANTLING JOINT - 1in x 3/8in - 30ASS
6	1	84-CP010000	DISMANTLING JOINT - 1in x 3/8in - 30ASS
7	1	84-CP010000	DISMANTLING JOINT - 1in x 3/8in - 30ASS
8	1	84-CP010000	DISMANTLING JOINT - 1in x 3/8in - 30ASS
9	1	84-CP010000	DISMANTLING JOINT - 1in x 3/8in - 30ASS
10	3	84-FL000000	FLANGE - 1.5in DIA X 4.5in - FLG x PIP
11	1	84-FL000000	FLANGE - 1.5in DIA X 4.5in - FLG x PIP
12	1	84-FL000000	FLANGE - 1.5in DIA X 4.5in - FLG x PIP
13	3	89-CS000000	GASKET - FLANGE - 3in
14	1	89-CS000000	GASKET - FLANGE - 1in
15	1	89-CS000000	GASKET - FLANGE - 1in
16	1	89-CS000000	GASKET - FLANGE - 1in
17	1	89-CS000000	GASKET - FLANGE - 1in
18	1	89-CS000000	GASKET - FLANGE - 1in
19	1	89-CS000000	GASKET - FLANGE - 1in
20	1	89-CS000000	GASKET - FLANGE - 1in
21	1	89-CS000000	GASKET - FLANGE - 1in
22	1	89-CS000000	GASKET - FLANGE - 1in
23	1	89-CS000000	GASKET - FLANGE - 1in

SHEET NO. M4

© 2018 ROMTEC, INC. ALL RIGHTS RESERVED. THESE PLANS AND DRAWINGS MAY NOT BE REPRODUCED, ADAPTED OR FURTHER DISTRIBUTED, AND NO BUILDINGS MAY BE CONSTRUCTED FROM THESE PLANS, WITHOUT THE WRITTEN PERMISSION OF ROMTEC, INC.

SHEET TITLE: SURGE TANK MANIFOLD ASSY



ITEM	QTY	STOCK NUMBER	DESCRIPTION
1	1	81-SC000000	TANK - SHOCK SUPPRESSOR - 50gal
2	1	81-AS000000	VALVE - PRESSURE RELIEF - 3in - 150LB PIG
3	1	84-CP010000	DISMANTLING JOINT - 1in x 3/8in - 30ASS
4	1	84-CP010000	DISMANTLING JOINT - 1in x 3/8in - 30ASS
5	2	84-FL000000	FLANGE - 1.5in DIA X 4.5in - FLG x PIP
6	1	84-FL000000	FLANGE - 1.5in DIA X 4.5in - FLG x PIP
7	2	89-CS000000	GASKET - FLANGE - 3in
8	2	89-CS000000	GASKET - FLANGE - 1in
9	1	89-CS000000	GASKET - FLANGE - 1in
10	1	89-CS000000	GASKET - FLANGE - 1in
11	1	89-CS000000	GASKET - FLANGE - 1in
12	1	89-CS000000	GASKET - FLANGE - 1in
13	1	89-CS000000	GASKET - FLANGE - 1in
14	1	89-CS000000	GASKET - FLANGE - 1in
15	1	89-CS000000	GASKET - FLANGE - 1in
16	1	89-CS000000	GASKET - FLANGE - 1in
17	1	89-CS000000	GASKET - FLANGE - 1in
18	1	89-CS000000	GASKET - FLANGE - 1in
19	1	89-CS000000	GASKET - FLANGE - 1in
20	1	89-CS000000	GASKET - FLANGE - 1in
21	1	89-CS000000	GASKET - FLANGE - 1in
22	1	89-CS000000	GASKET - FLANGE - 1in
23	1	89-CS000000	GASKET - FLANGE - 1in

SHEET NO. M5

© 2018 ROMTEC, INC. ALL RIGHTS RESERVED. THESE PLANS AND DRAWINGS MAY NOT BE REPRODUCED, ADAPTED OR FURTHER DISTRIBUTED, AND NO BUILDINGS MAY BE CONSTRUCTED FROM THESE PLANS, WITHOUT THE WRITTEN PERMISSION OF ROMTEC, INC.

SHEET TITLE: SURGE TANK MANIFOLD ASSEMBLY

PROJECT: CUSTOM UTILITY BUILDING  
 CITY OF HESPERIA BOOSTER STATION  
 HESPERIA, CALIFORNIA

PLAN SET# 186999  
 DATE: 11/02/2018  
 DRAWN BY: CR  
 SHEET NO. 15/23

SHEET TITLE: PUMP & MANIFOLD ASSEMBLY - COMPONENT ASSEMBLIES

ROMTEC  
 18240 NORTH BANK ROAD  
 ROSEBURG, OR 97170  
 (541) 436-3541 FAX (541) 436-0803