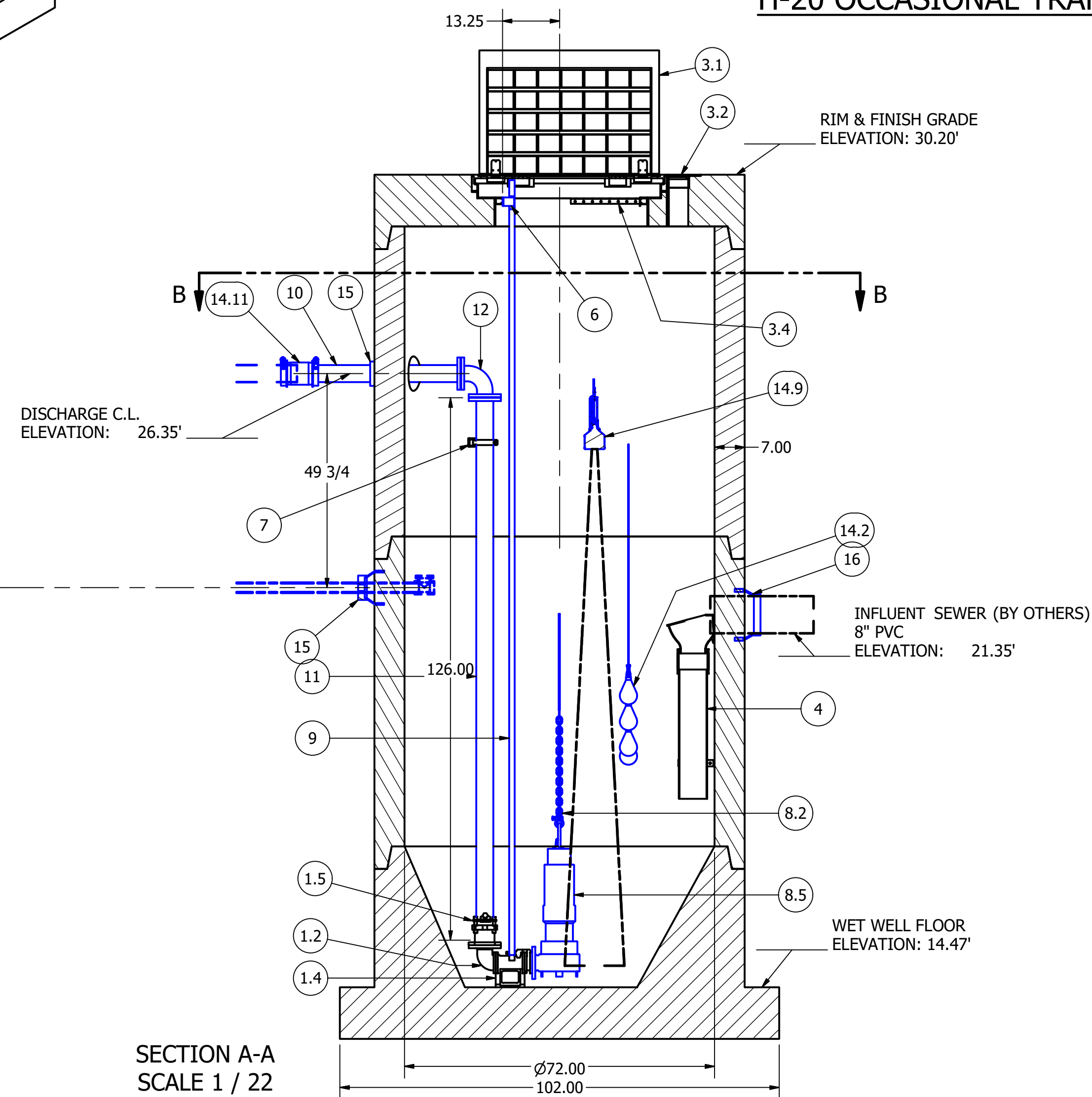


NOTE:
CONDUIT TO CONTROL PANEL (BY OTHERS)
MINIMUM:
(2) FOR POWER
(1) FOR LEVEL SENSING

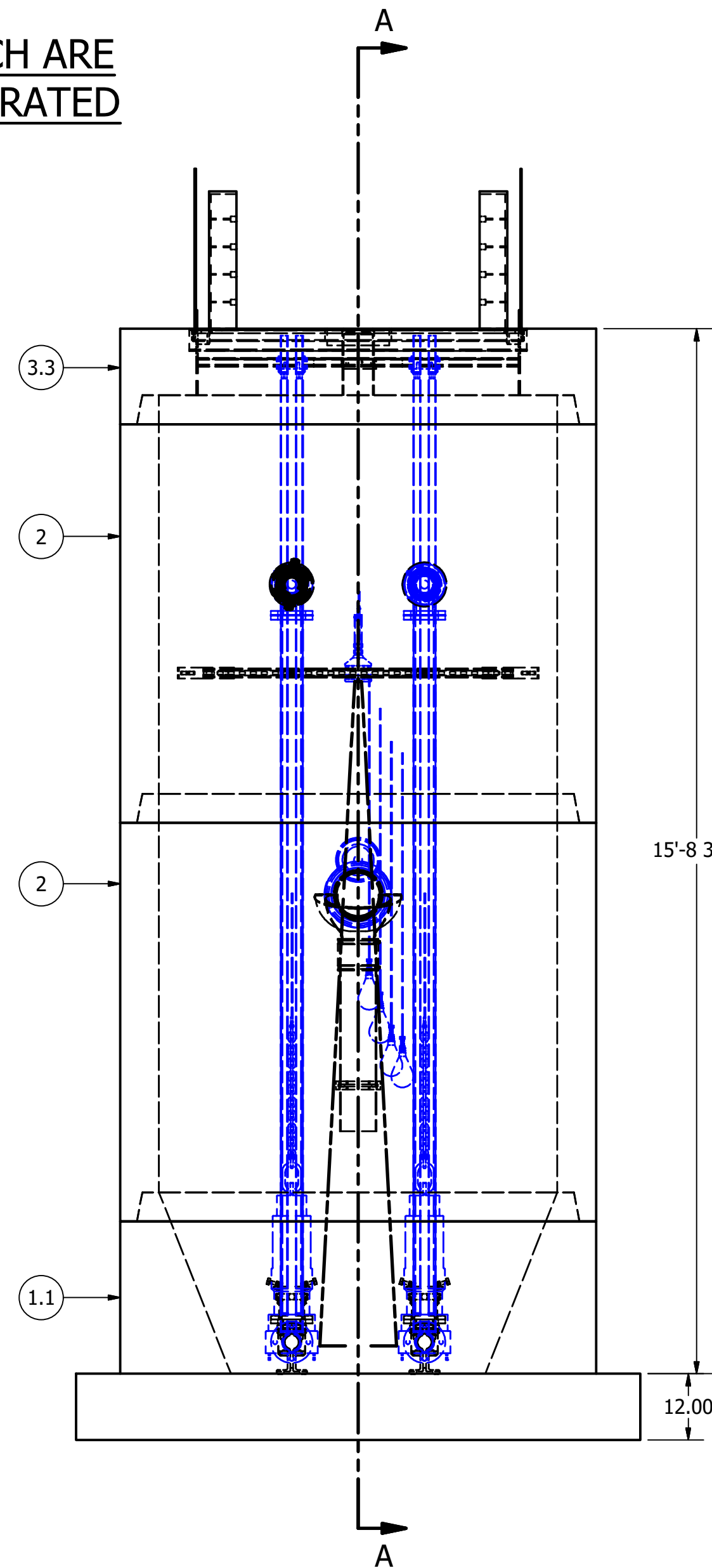
NOTE: TOP SLAB AND HATCH ARE
H-20 OCCASIONAL TRAFFIC RATED

SENSOR AND ELEVATION TABLE		
LEVEL ELEVATION	DISTANCE BETWEEN POINTS	SET POINT DESCRIPTION
21.35		INVERT IN
20.97	1.00	BACK UP PUMPS START
19.97		BACK UP PUMPS STOP
19.47	0.50	SENSOR SPACING
18.97		BACK UP HL ALARM
18.47	0.50	HIGH LEVEL ALARM
17.97		LAG PUMP START
17.47	0.50	SENSOR SPACING
16.97	1.00	LEAD PUMP START
16.47		SENSOR SPACING
15.97	2.50	PUMP STOP
14.47		DISTANCE TO FLOOR
		FLOOR ELEVATION

PARTS LIST			
ITEM	QTY	STOCK NUMBER	DESCRIPTION
1	1	10-CB000000	BASE SLAB ASSEMBLY
1.1	1	10-CB068HSQ	BASE - WW - 6ft DIA - RU DESIGN - SQUARE
1.2	2	31-EL2H03EB	DISCHARGE ELBOW - 2.5in X 3in - EBARA
1.3	2	31-HW00AKS6	ANCHOR KIT - 316SS - DISCHARGE ELBOW
1.4	2	31-QD2HLM6B	QDC - 2.5in - LM65 - EBARA
1.5	2	44-AD03RMD0	RFLA - 3in - ROMAC - FBEC w/SS HARDWARE
2	2	12-CR067200	BARREL - 6ft DIA x 6ft H
3	1	14-CT000000	TOP SLAB ASSEMBLY
3.1	1	13-HH06HD0E	HATCH - H20 - 6ft - 33.5in x 44in
3.2	1	13-VT0000AL	VENT - ALUMINUM - FLUSH
3.3	1	14-CT06HD00	TOP SLAB - 6ft DIA - H20
3.4	1	80-BR00UTHB	BRACKET - 304SS - HANGING BRACKET - 16in
4	1	15-DB000000	DROP BOWL ASSEMBLY
5	2	17-AC38000B	BOLT KIT - UPPER GUIDE BAR BRACKET
6	2	17-UG01S6EB	BRACKET - 316SS - UPPER GUIDE BAR - 1in
7	1	18-BR000000	BRACKET ASSEMBLY - 316SS - DISCHARGE SUPPORT
8	1	30-PU000000	PUMP SHIPPING CRATE
8.1	2	30-PUTRIM00	PUMP OPTION: IMPELLER TRIM - .5HP THRU 5HP
8.2	2	32-AC0000EB	LIFTING ASSEMBLY - EBARA
8.3	2	32-CGSS000D	CABLE SUPPORT GRIP - 304SS - 0.75in-0.99in
8.4	1	32-PL000000	LIFTING RING - PUMP
8.5	2	30-PU0000EB	PUMP - EBARA 80DFVMU61.5 - 2HP
8.6	2	30-PUCABL02	PUMP OPTION: LONG CABLES - 75ft - 2HP
9	60.0 ft	40-PP0100S4	PIPE - 304SS SCH40 - 1in DIA
10	2	45-FP030360	SPOOL - DI - 3in DIA x 36in - FLGxPE
11	2	45-FP031260	SPOOL - DI - 3in DIA x 126in - FLGxPE
12	2	46-EL0390DI	ELBOW - DI - 3in x 90deg - FLGxFLG
13	4	49-GS030000	GASKET - FLANGE - 3in
14	1	50-AC000000	WELL SHIPPING CRATE
14.1	1	51-AC00NSTB	NEVER SIEZE - TUBE
14.2	4	80-FS20MSNL	FLOAT - 20m - MS1 - NOLTA
14.3	3	12-GS000001	BARREL - GASKET
14.4	1	51-SE0101SL	JOINT SEALANT - 1in - CONSEAL CS-202
14.5	1	51-BT060000	JOINT WRAP - 6in - BOA TAPE
14.6	4	18-HD040000	LIFTING CLUTCH - 4 TON
14.7	1	13-KY000000	HATCH KEY
14.8	4	18-AC00CH00	CABLE HANGER ASSEMBLY
14.9	1	80-UT0015XP	ULTRASONIC TRANSDUCER - XPS-15
14.10	1	80-BR00UT00	BRACKET - ULTRASONIC TRANSDUCER
14.11	2	44-CP030HDO	COUPLING - 3in - HYMAX GRIP
15	3	59-KB080400	KOR-N-SEAL - 8in CORE - 4in thru 1.5in PIPE
16	1	59-KB1208P0	KOR-N-SEAL - 12in CORE x 8in PVC PIPE



SECTION A-A
SCALE 1 / 22



FOR DESIGN REVIEW

**6' DIAMETER WET WELL
3" DISCHARGE PIPING
EBARA VORTEX
3" 577 VALVE VAULT**

NOTE: CONTRACTOR TO SEAL ALL CONCRETE JOINTS
AND PIPE PENETRATIONS WITH NON-SHRINK GROUT

NOTE: ALL DIMENSIONS AND ELEVATIONS SHOWN
ARE NOMINAL DIMENSIONS. IT IS THE RESPONSIBILITY
OF THE ON-SITE CONTRACTOR OR ROMTEC UTILITIES
CUSTOMER (NOT ROMTEC UTILITIES) TO VERIFY THE
ACCURACY OF ANY CRITICAL DIMENSIONS OR ELEVATIONS
PRIOR TO SETTING OR INSTALLING ANY EQUIPMENT.

COLOR LEGEND

- MAJOR CONCRETE COMPONENTS WITH PRE-INSTALLED COMPONENTS.
- COMPONENTS PRE-ASSEMBLED TO THE EXTENT POSSIBLE AND WILL NEED TO BE FIELD INSTALLED.

NOTE: PRE-ASSEMBLY IS DONE AT ROMTEC UTILITIES' DISCRETION AND MAY CHANGE AT THE TIME OF PRODUCTION.

ALL MATERIALS SHOWN ON THIS SHEET WILL BE SUPPLIED BY ROMTEC UTILITIES AND DELIVERED TO THE SITE AFTER THE HOLE HAS BEEN EXCAVATED AND SHORED. THE CONTRACTOR SHALL SUPPLY A CRANE OF SUFFICIENT SIZE TO LOWER ALL THE CONCRETE PIECES INTO THE HOLE SAFELY. THE CONTRACTOR SHALL INSTALL THE WET WELL (AND VALVE VAULT AND METERING VAULT IF APPLICABLE). ROMTEC UTILITIES WILL PROVIDE A REPRESENTATIVE FOR TECHNICAL ASSISTANCE ON THE DAY OF INSTALLATION TO ANSWER ANY QUESTIONS THAT MAY ARISE. THE CONTRACTOR IS RESPONSIBLE FOR ALL PLUMBING AND ELECTRICAL CONNECTIONS AND INSTALLATION. ITEMS NOTED AS "BY OTHERS" WILL BE PROVIDED AND INSTALLED BY THE CONTRACTOR. ROMTEC UTILITIES WILL NOT INSTALL ANY OF THE COMPONENTS SHOWN ON THIS PAGE.

© 2019 ROMTEC INC. ALL RIGHTS RESERVED. THESE PLANS AND DRAWINGS MAY NOT BE REPRODUCED, ADAPTED, OR FURTHER DISTRIBUTED, AND NO COMPONENTS MAY BE CONSTRUCTED FROM THESE PLANS, WITHOUT WRITTEN PERMISSION OF ROMTEC, INC.

MICROSOFT - EASTSIDE SANITARY

MOUNTAIN VIEW, CA

WET WELL ASSEMBLY

COMPONENT DRAWING

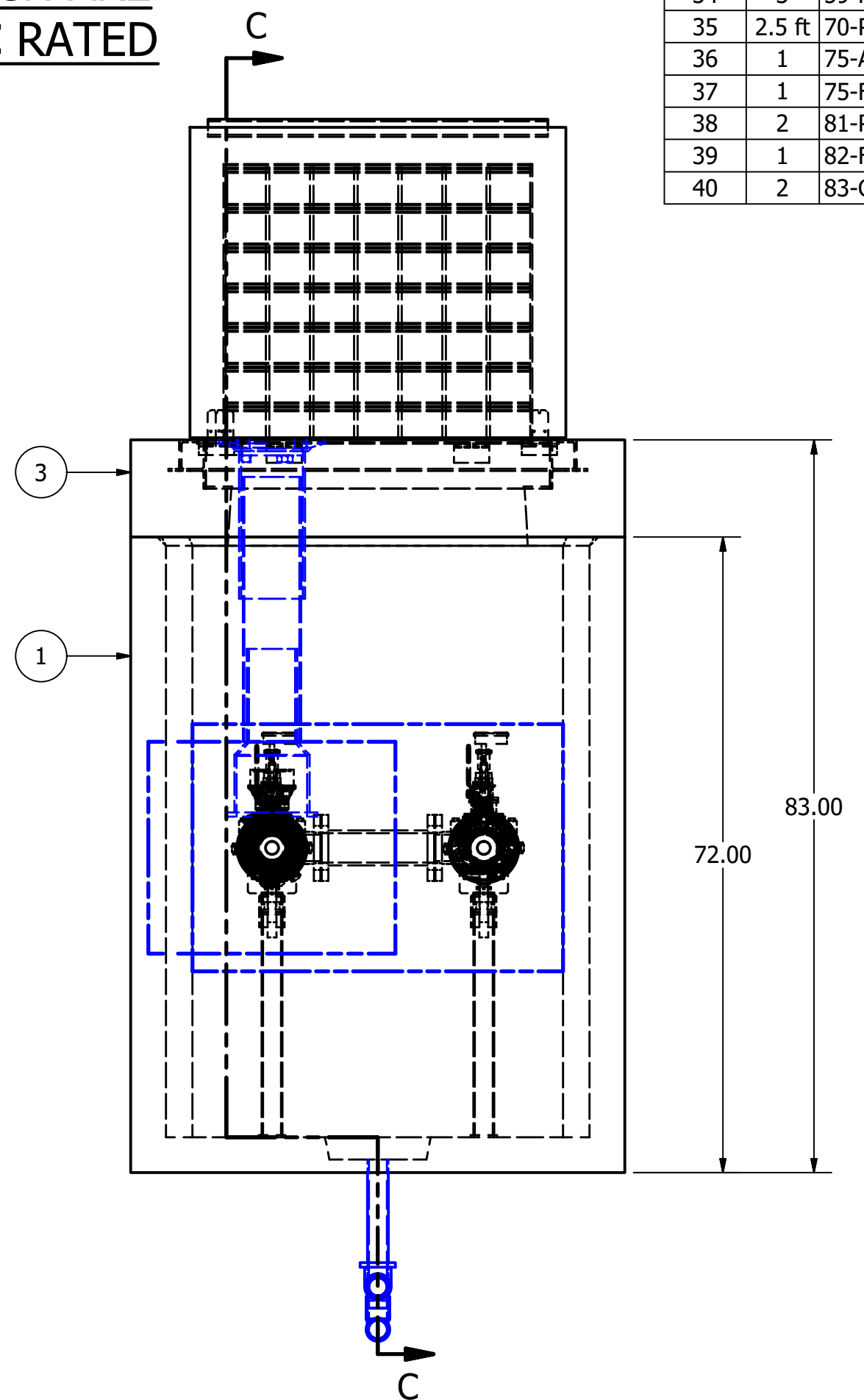
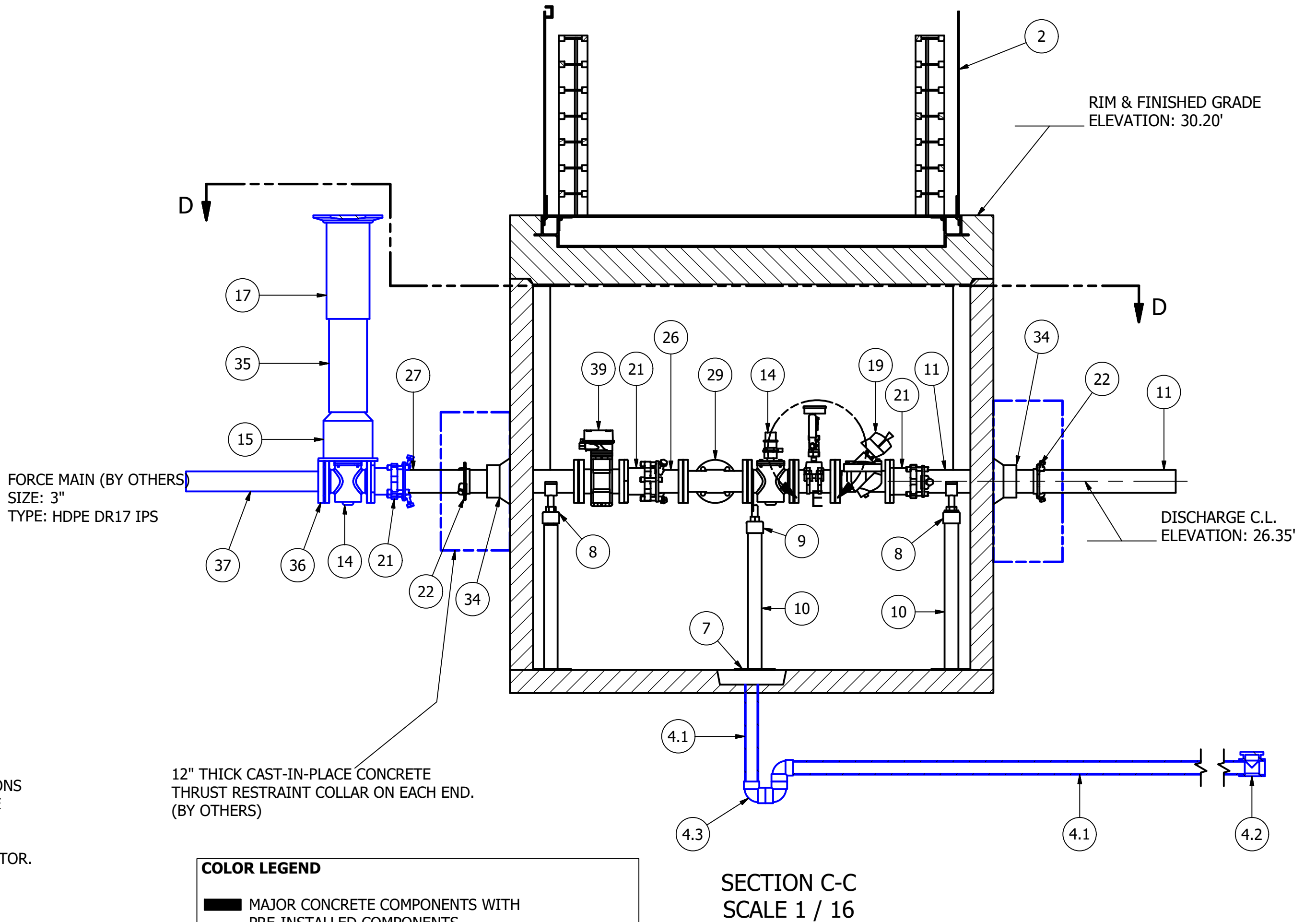
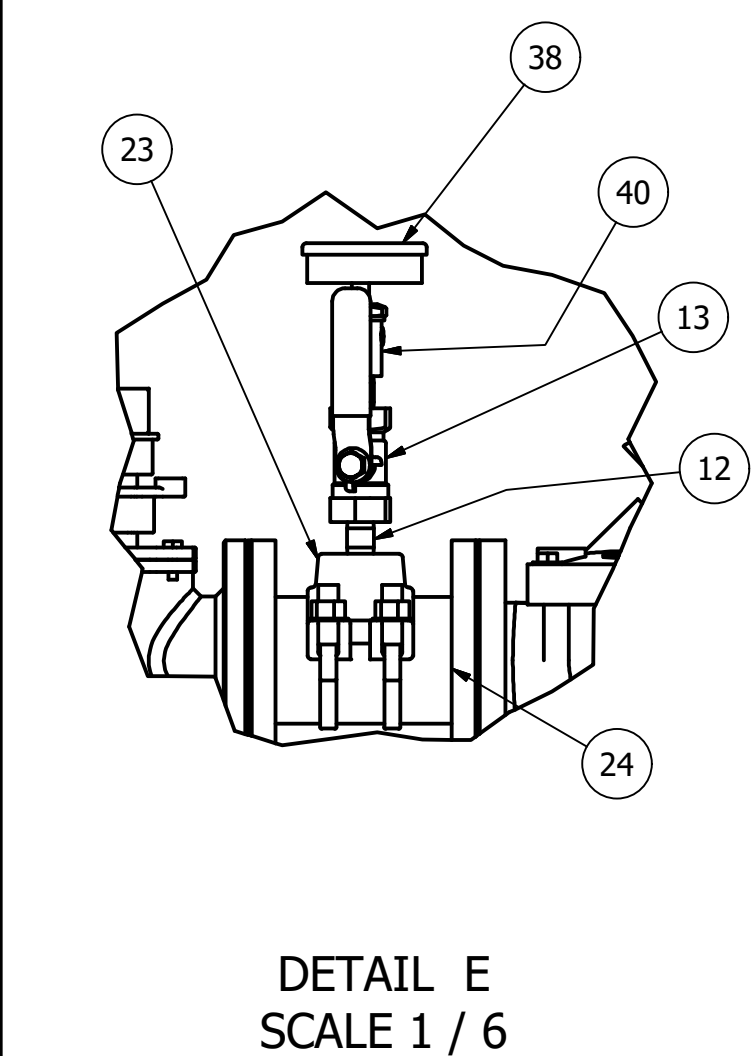
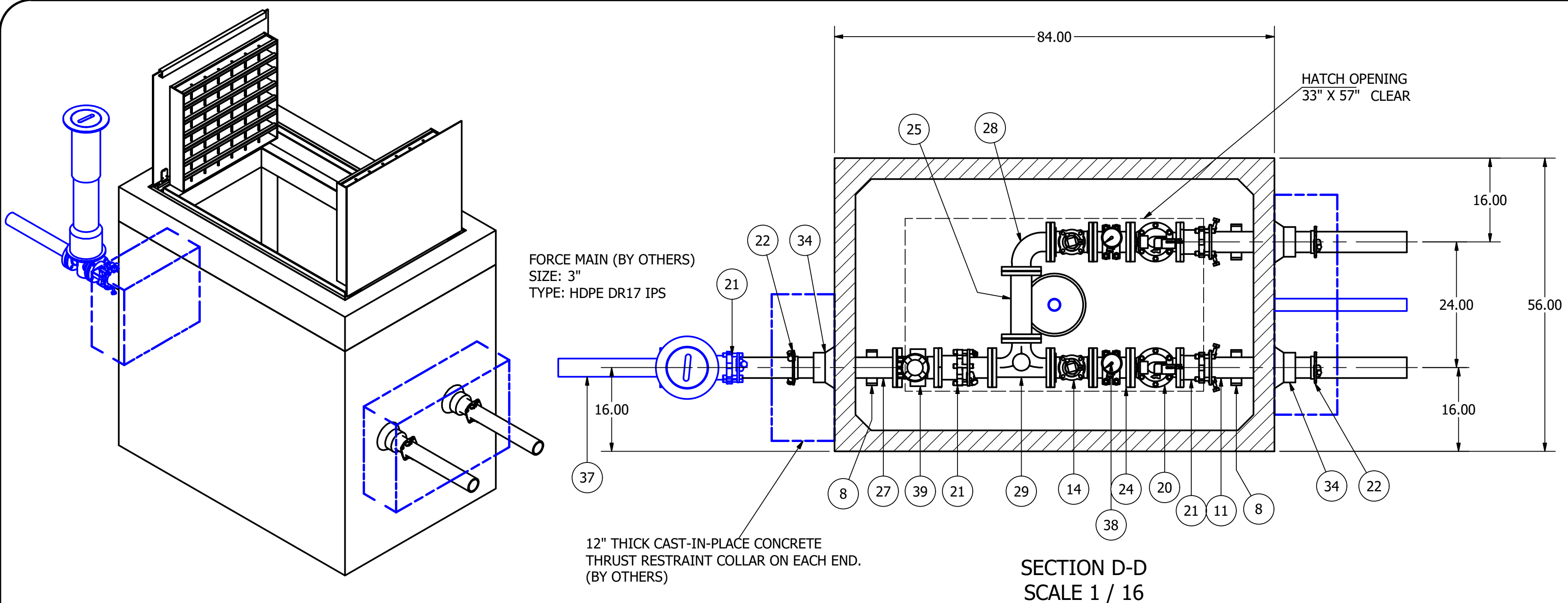
18240 NORTH BANK ROAD
ROSEBURG, OREGON 97470
PHONE: (541) 496-9678
WWW.ROMTECUTILITIES.COM

VERIFY SCALE
 0 1"

DSN: AD
 DRN: AD
 CKD: AD

REVISED RIM AND F.G. PER COMMENTS
 DESCRIPTION
 REVISION HISTORY

DATE: 4-2-19



		PARTS LIST	
ITEM	QTY	STOCK NUMBER	DESCRIPTION
1	1	20-CB577000	BASE - VV - 577
2	1	23-HH577GHE	HATCH - VV - 577 - H20 - SAFETY GRATE
3	1	24-CT577HD0	TOP SLAB - VV - 577 - H20
4	1	25-DR999999	DRAIN - VALVE VAULT
4.1	10	70-PP0200P4	PIPE - PVC SCH40 - 2in DIA
4.2	1	72-DB020SP8	DRAINBACK VALVE - PVC - 2in
4.3	3	76-EL029040	ELBOW - PVC SCH40 - 2in x 90deg - SLIP
5	2	25-KY0000BR	BRACKET - VALVE KEY
6	1	25-KY0600GW	VALVE KEY - 6ft - GATE WRENCH
7	5	25-PS00BAPL	PIPE STAND BASE PLATE - 304SS
8	3	25-PS03S89F	PIPE STAND - 304SS - 3in SADDLE
9	2	25-PS03S92S	PIPE STAND - 304SS - 3in FLANGE
10	20	40-PP0200S4	PIPE - 304SS SCH40 - 2in DIA
11	8.0 ft	40-PP0300D0	PIPE - DI - 3in DIA (2 @ 4ft)
12	4	40-TT0H02S6	NIPPLE - 316SS - 0.5in DIA x 2in
13	2	41-BV0H00S6	BALL VALVE - 316SS - 0.5in
14	3	41-PV0300D0	PLUG VALVE - 3in - DIRECT OP NUT
15	1	41-VB000BAS	VALVE BOX - BASE
16	1	41-VB000LID	VALVE BOX - LID
17	1	41-VB000TOP	VALVE BOX - TOP
18	1	42-AC0300BF	BACKFLOW ACTUATOR - 3in
19	2	42-MI030000	MECHANICAL INDICATOR - 3in
20	2	42-SF0300D0	CHECK VALVE - SWING FLEX - 3in
21	4	44-AD03RMD0	RFCA - 3in - ROMAC - FBEC w/SS HARDWARE
22	3	44-RG030STR	RETAINER GLAND - 3in - HEAVY DUTY
23	2	44-TS030H00	TAPPING SADDLE - 3in x .5in NPT
24	2	45-FF030070	SPOOL - DI - 3in DIA x 7in - FLGxFLG
25	1	45-FF03123Q	SPOOL - DI - 3in DIA x 12.75in - FLGxFLG
26	1	45-FF030080	SPOOL - DI - 3in DIA x 8in - FLGxPE
27	1	45-FF030360	SPOOL - DI - 3in DIA x 36in - FLGxPE
28	1	46-EL0390DI	ELBOW - DI - 3in x 90deg - FLGxFLG
29	1	46-TE0303DI	TEE - DI - 3in FLGxFLG
30	2	48-PL0Q00HX	PLUG - 304SS - .25in NPT - HEX SOCKET
31	11	49-GS030000	GASKET - FLANGE - 3in
32	25	51-BT060000	JOINT WRAP - 6in - BOA TAPE
33	29	51-SE0101SL	JOINT SEALANT - 1in - CONSEAL CS-202
34	3	59-KB080400	KOR-N-SEAL - 8in CORE - 4in thru 1.5in PIPE
35	2.5 ft	70-PP0600DR	PIPE - PVC SDR35 - 6in DIA
36	1	75-AC03RING	BACKUP RING - DI - 3in
37	1	75-PP0324PE	SPOOL - HDPE DR17 IPS - 3in x 24in - FLGxPE
38	2	81-PG3H00QB	PRESSURE GAUGE - 3.5in DIA x .25in MNPT BACK - 30#
39	1	82-FM030WEH	FLOWMETER - 3in - ENDRESS HAUSER - 5W4C80 DN80
40	2	83-GI0HF0QF	DIAPHRAGM SEAL - 0.5in FNPT x 0.25in FNPT

NOTE: TOP SLAB AND HATCH ARE H-20 OCCASIONAL TRAFFIC RATED

FOR DESIGN REVIEW

**577 VALVE VAULT
3" PIPING AND VALVES
WITH FLOWMETER**

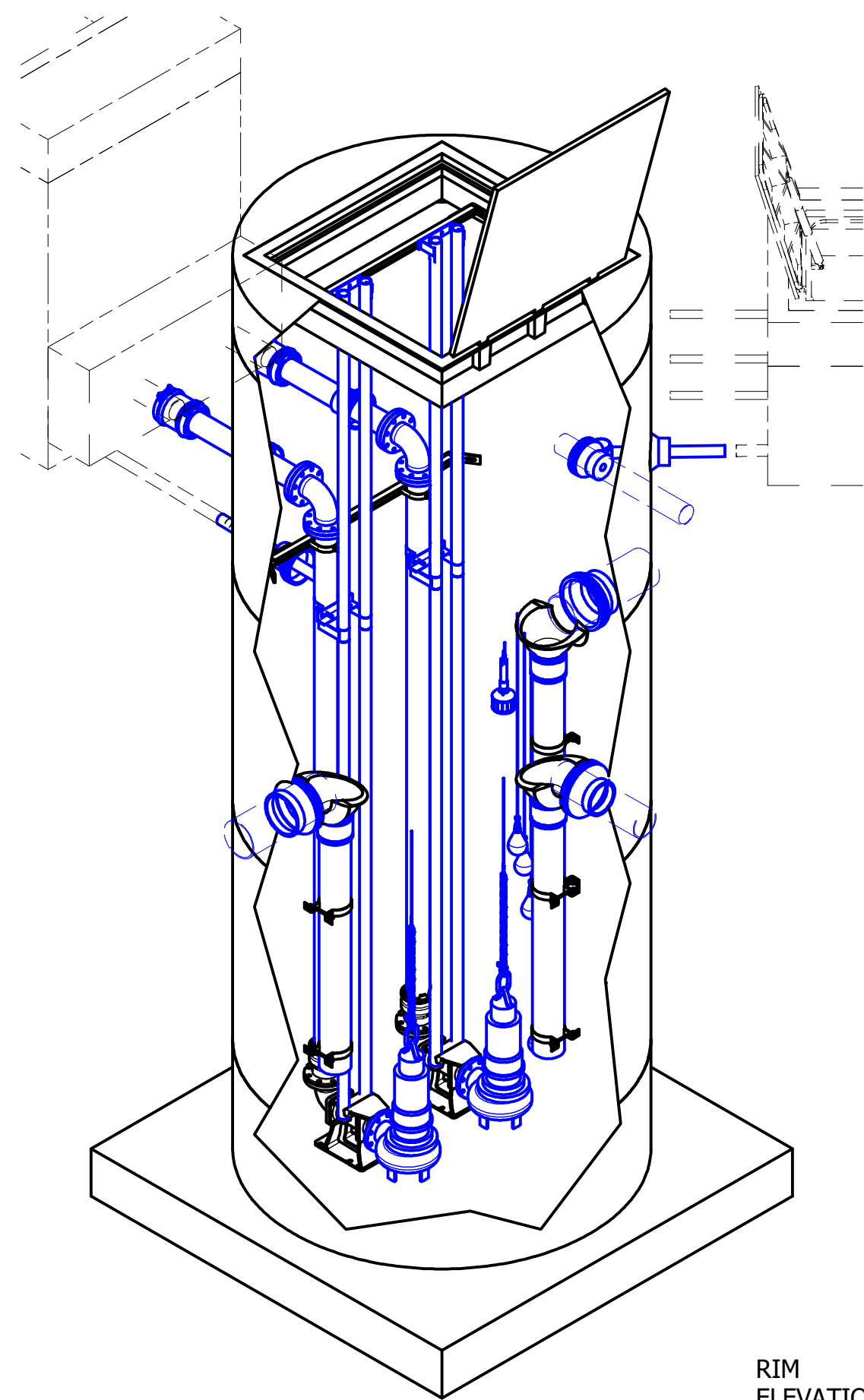
ALL MATERIALS SHOWN ON THIS SHEET WILL BE SUPPLIED BY ROMTEC UTILITIES AND DELIVERED TO THE SITE AFTER THE HOLE HAS BEEN EXCAVATED AND SHORED. THE CONTRACTOR SHALL SUPPLY A CRANE OF SUFFICIENT SIZE TO LOWER ALL THE CONCRETE PIECES INTO THE HOLE SAFELY. THE CONTRACTOR SHALL INSTALL THE WET WELL (AND VALVE VAULT AND METERING VAULT IF APPLICABLE). ROMTEC UTILITIES WILL PROVIDE A REPRESENTATIVE FOR TECHNICAL ASSISTANCE ON THE DAY OF INSTALLATION TO ANSWER ANY QUESTIONS THAT MAY ARISE. THE CONTRACTOR IS RESPONSIBLE FOR ALL PLUMBING AND ELECTRICAL CONNECTIONS AND INSTALLATION. ITEMS NOTED AS "BY OTHERS" WILL BE PROVIDED AND INSTALLED BY THE CONTRACTOR. ROMTEC UTILITIES WILL NOT INSTALL ANY OF THE COMPONENTS SHOWN ON THIS PAGE.

© 2019 ROMTEC INC. ALL RIGHTS RESERVED. THESE PLANS AND DRAWINGS MAY NOT BE REPRODUCED, ADAPTED, OR FURTHER DISTRIBUTED, AND NO COMPONENTS MAY BE CONSTRUCTED FROM THESE PLANS, WITHOUT WRITTEN PERMISSION OF ROMTEC, INC.

COLOR LEGEND
 MAJOR CONCRETE COMPONENTS WITH PRE-INSTALLED COMPONENTS.
 COMPONENTS PRE-ASSEMBLED TO THE EXTENT POSSIBLE AND WILL NEED TO BE FIELD INSTALLED.
 NOTE: PRE-ASSEMBLY IS DONE AT ROMTEC UTILITIES' DISCRETION AND MAY CHANGE AT THE TIME OF PRODUCTION.

NOTE: CONTRACTOR TO SEAL ALL CONCRETE JOINTS AND PIPE PENETRATIONS WITH NON-SHRINK GROUT
 NOTE: ALL DIMENSIONS AND ELEVATIONS SHOWN ARE NOMINAL DIMENSIONS. IT IS THE RESPONSIBILITY OF THE ON-SITE CONTRACTOR OR ROMTEC UTILITIES CUSTOMER (NOT ROMTEC UTILITIES) TO VERIFY THE ACCURACY OF ANY CRITICAL DIMENSIONS OR ELEVATIONS PRIOR TO SETTING OR INSTALLING ANY EQUIPMENT.

MICROSOFT - EASTSIDE SANITARY		MOUNTAIN VIEW, CA	
VALVE VAULT ASSEMBLY		COMPONENT DRAWING	
ROMTEC UTILITIES		18240 NORTH BANK ROAD ROSEBURG, OREGON 97470 PHONE: (541) 496-9678 WWW.ROMTECUTILITIES.COM	
VERIFY SCALE	0 1"	DATE: 4-2-19	REVISION HISTORY
DSN: AD	DRN: AD	REV: 1	6-7-19
GKD: AD	DATE	DESCRIPTION	REVISED RIM AND F.G. PER COMMENTS
			AD BY



ISO VIEW
SCALE 1 / 30

6' DIAMETER WET WELL
4" DISCHARGE PIPING
DUPLEX EBARA PUMPS
4" 577 VALVE VAULT

FOR DESIGN REVIEW

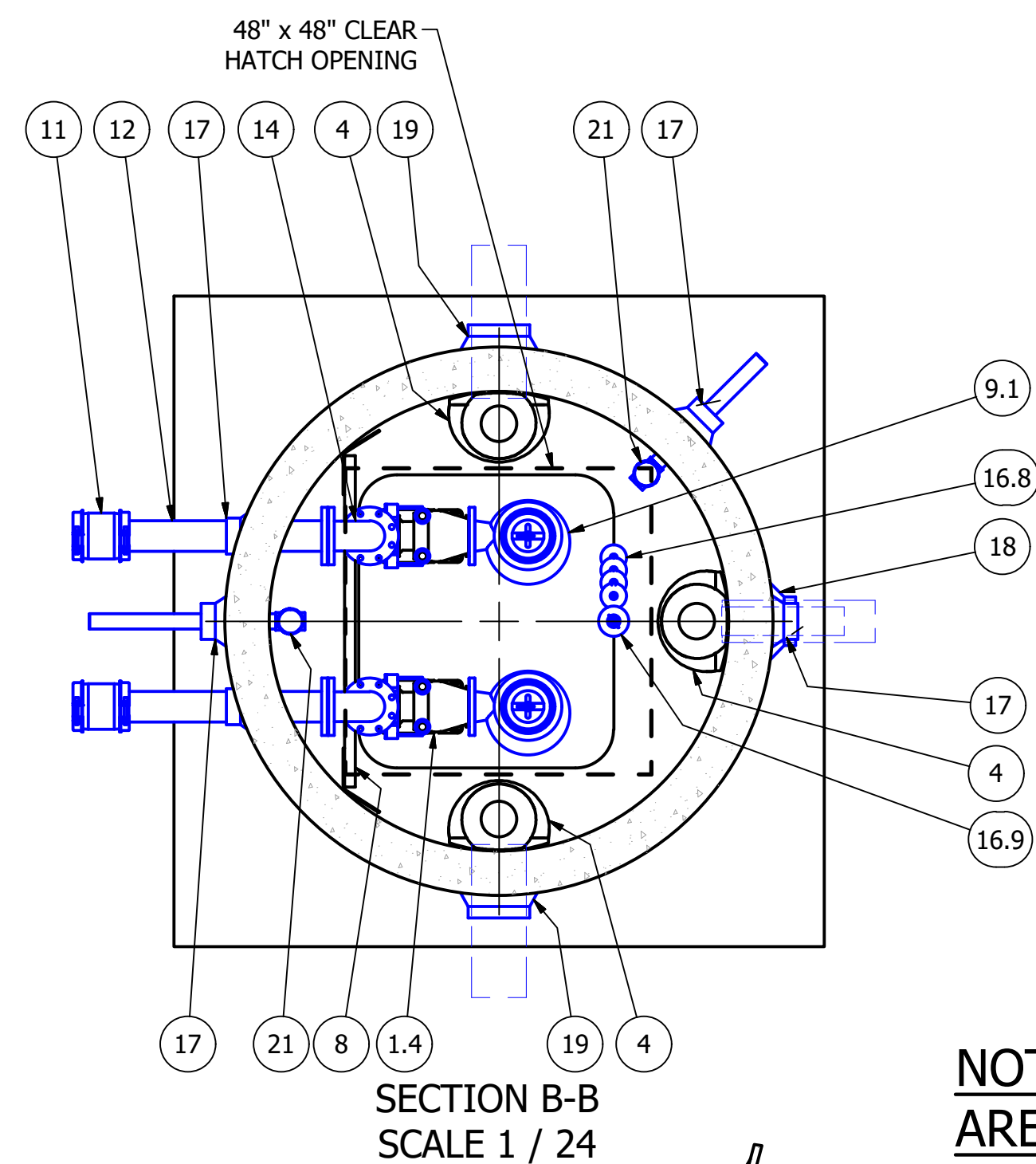
COLOR LEGEND

- MAJOR CONCRETE COMPONENTS WITH PRE-INSTALLED COMPONENTS.
- COMPONENTS PRE-ASSEMBLED TO THE EXTENT POSSIBLE AND WILL NEED TO BE FIELD INSTALLED.

NOTE: PRE-ASSEMBLY IS DONE AT ROMTEC UTILITIES' DISCRETION AND MAY CHANGE AT THE TIME OF PRODUCTION.

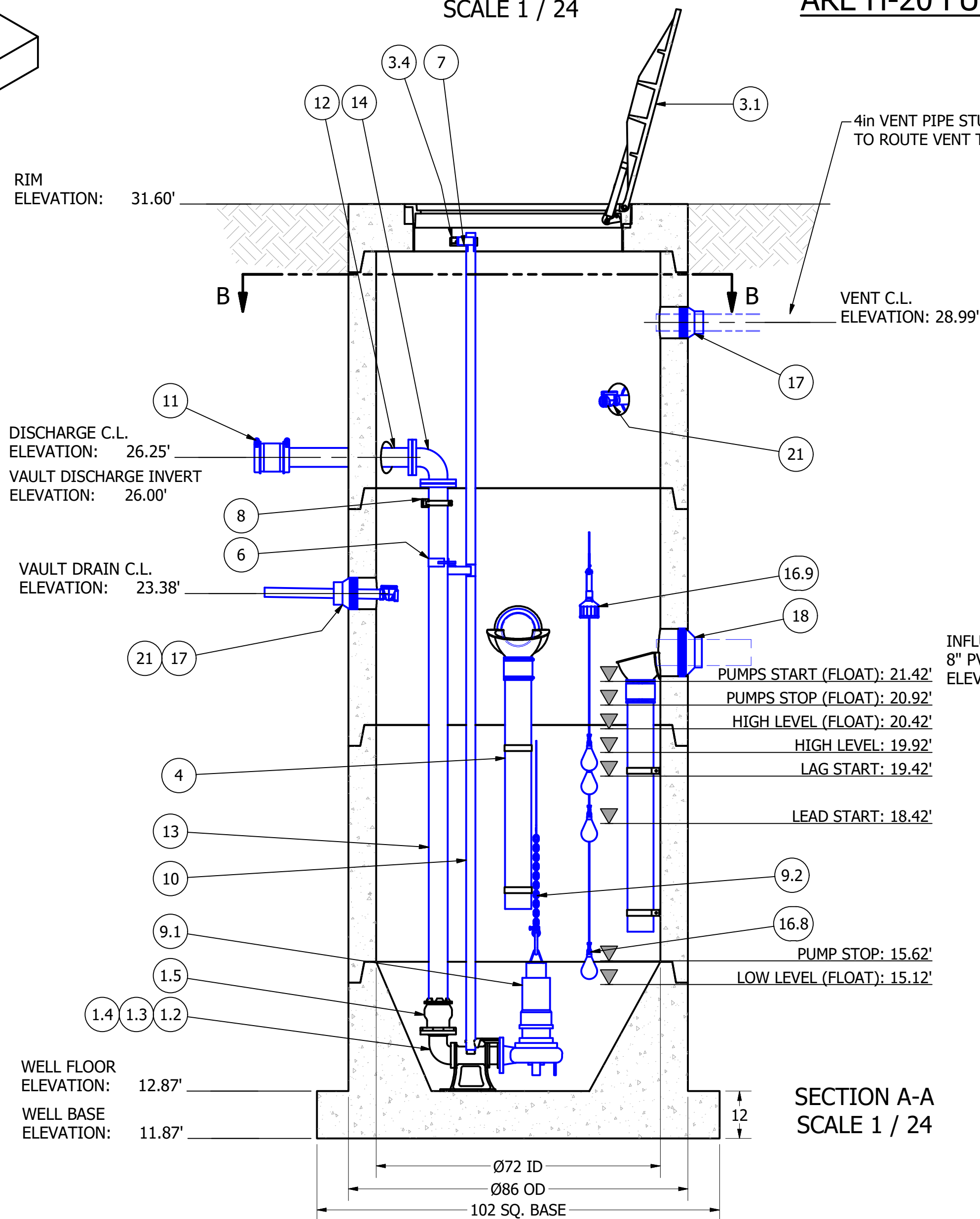


© 2019 ROMTEC INC. ALL RIGHTS RESERVED. THESE PLANS AND DRAWINGS MAY NOT BE REPRODUCED, ADAPTED, OR FURTHER DISTRIBUTED, AND NO COMPONENTS MAY BE CONSTRUCTED FROM THESE PLANS, WITHOUT WRITTEN PERMISSION OF ROMTEC, INC.



SECTION B-B
SCALE 1 / 24

NOTE: TOP SLAB AND HATCH ARE H-20 FULL TRAFFIC RATED

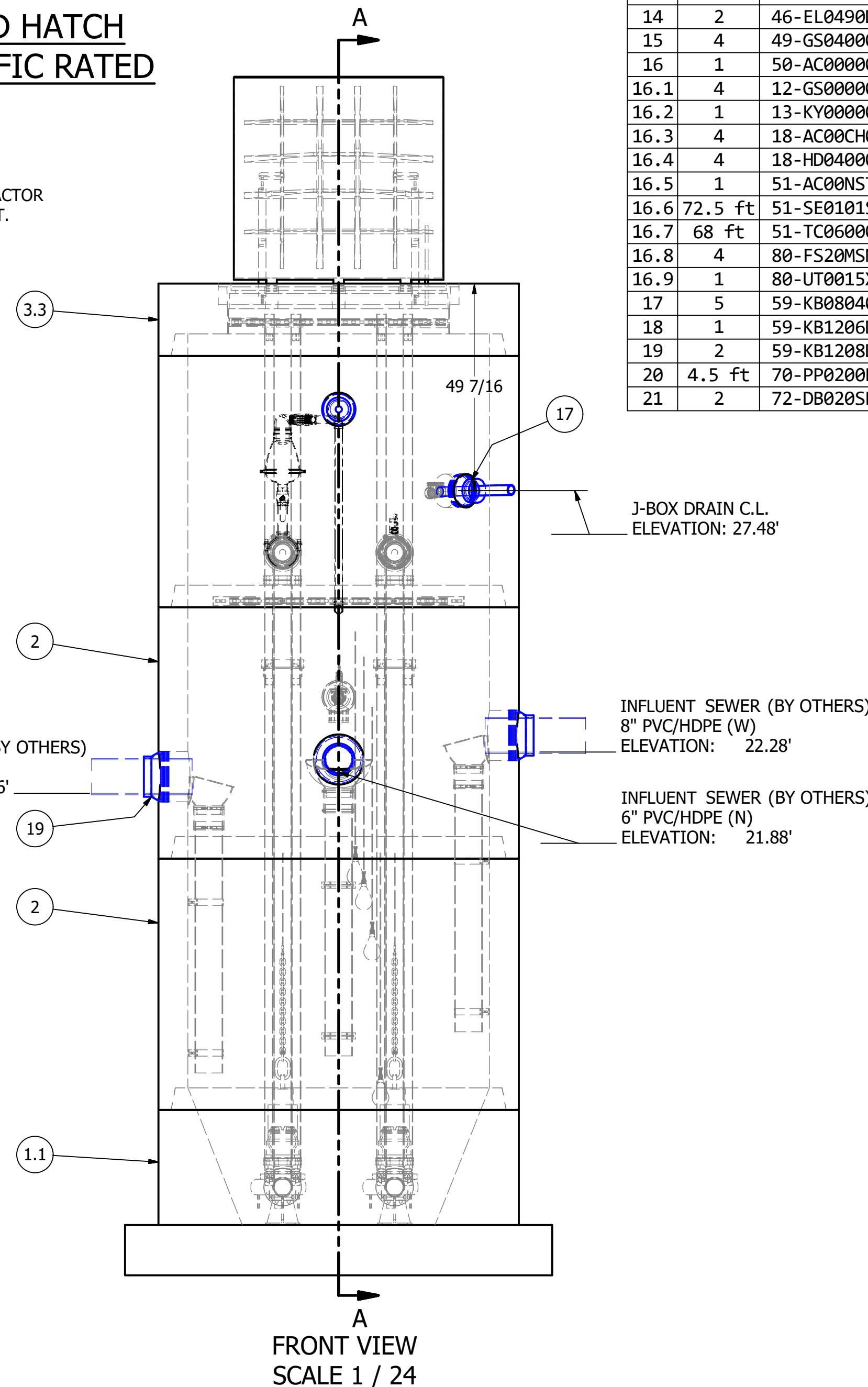


SECTION A-A
SCALE 1 / 24

PRIMARY SENSOR ELEVATION TABLE		
DESCRIPTION	ELEVATION	Δ
INFLUENT INVERT	21.46'	
HIGH LEVEL ALARM	19.92'	0.50'
LAG PUMP START	19.42'	1.00'
LEAD PUMP START	18.42'	2.80'
PUMP STOP	15.62'	2.75'
WELL FLOOR	12.87'	

MISC. ELEVATION TABLE	
DESCRIPTION	ELEVATION
PUMP START FLOAT	21.42'
PUMP STOP FLOAT	20.92'
HIGH LEVEL FLOAT	20.42'
LOW LEVEL FLOAT	15.12'

PARTS LIST			
ITEM	QTY	STOCK NUMBER	DESCRIPTION
1	1	10-CB000000	BASE SLAB ASSEMBLY
1.1	1	10-CB068HSQ	BASE - WW - 6ft DIA - RU DESIGN - SQUARE
1.2	2	31-EL0404EB	DISCHARGE ELBOW - 4in x 4in - EBARA
1.3	2	31-HW00AKS6	ANCHOR KIT - 316SS - DISCHARGE ELBOW
1.4	2	31-QD04LLEB	QDC - 4in - LL100 - EBARA
1.5	2	44-AD04RMAL	FLANGE ADAPTER - 4in - ALPHA
2	3	12-CR066000	BARREL - 6ft DIA x 5ft H
3	1	14-CT000000	TOP SLAB ASSEMBLY
3.1	1	13-HH4848D0	HATCH - DI - 48in x 48in
3.2	1	13-SK999999	HATCH SKIRT - CUP
3.3	1	14-CT06HD00	TOP SLAB - 6ft DIA - H20
3.4	2	18-AC00001B	WALL BRACKET - DISCHARGE SUPPORT
3.5	4.3 ft	50-US0000S6	UNISTRUT - 316SS - SLOTTED
4	3	15-DB000000	DROP BOWL ASSEMBLY - 4in THRU 10in INLET
5	2	17-AC38000B	BOLT KIT - UPPER GUIDE BAR BRACKET
6	2	17-IG02S4EB	BRACKET - 304SS - INTERMEDIATE GUIDE - 2in
7	2	17-UG1HS6EB	BRACKET - 316SS - UPPER GUIDE BAR - 1.5in
8	1	18-BR000000	BRACKET ASSEMBLY - 316SS - DISCHARGE SUPPORT
9	1	30-PU000000	PUMP SHIPPING CRATE
9.1	2	30-PU0000EB	PUMP - EBARA 100DLMKFMU63.7 - 5HP
9.2	2	32-AC0000EB	LIFTING SLING ASSEMBLY - 316SS - EBARA PUMPS
9.3	2	32-CGB000SS	CORD GRIP - SS - 1.000in THRU 1.240in
9.4	1	32-PL000000	LIFTING RING - PUMP
10	68.0 ft	40-PP0200S4	PIPE - 304SS SCH40 - 2in DIA
11	2	44-CP040AD0	COUPLING - 4in - ALPHA
12	2	45-FP040360	SPOOL - DI - 4in DIA x 36in - FLGxPE
13	2	45-FP041380	SPOOL - DI - 4in DIA x 138in - FLGxPE
14	2	46-EL0490DI	ELBOW - DI - 4in x 90deg - FLGxFLG
15	4	49-GS040000	GASKET - FLANGE - 4in
16	1	50-AC000000	WELL SHIPPING CRATE
16.1	4	12-GS000001	BARREL - GASKET
16.2	1	13-KY000000	HATCH KEY
16.3	4	18-AC00CH00	CABLE HANGER ASSEMBLY
16.4	4	18-HD040000	LIFTING CLUTCH - 4 TON
16.5	1	51-AC00N0TB	NEVER SIEZE - TUBE
16.6	72.5 ft	51-SE0101SL	JOINT SEALANT - 1in - CONSEAL CS-202
16.7	68 ft	51-TC060000	JOINT WRAP - 6in - TAPECOAT
16.8	4	80-FS20MSNL	FLOAT - 20m - MS1 - NOLTA
16.9	1	80-UT0015XP	ULTRASONIC TRANSDUCER - XPS-15
17	5	59-KB080400	KOR-N-SEAL - 8in CORE - 4in thru 1.5in PIPE
18	1	59-KB1206DI	KOR-N-SEAL - 12in CORE x 6in DIPS PIPE
19	2	59-KB1208DI	KOR-N-SEAL - 12in CORE x 8in DIPS PIPE
20	4.5 ft	70-PP0200P4	PIPE - PVC SCH40 - 2in DIA
21	2	72-DB020SP8	DRAINBACK VALVE - PVC - 2in



FRONT VIEW
SCALE 1 / 24

NOTE: CONTRACTOR TO SEAL ALL CONCRETE JOINTS AND PIPE PENETRATIONS WITH NON-SHRINK GROUT

NOTE: ALL DIMENSIONS AND ELEVATIONS SHOWN ARE NOMINAL DIMENSIONS. IT IS THE RESPONSIBILITY OF THE ON-SITE CONTRACTOR OR ROMTEC UTILITIES CUSTOMER (NOT ROMTEC UTILITIES) TO VERIFY THE ACCURACY OF ANY CRITICAL DIMENSIONS OR ELEVATIONS PRIOR TO SETTING OR INSTALLING ANY EQUIPMENT.

REV	DATE	DESCRIPTION
2	5/2/2019	ADJUST ELEVATIONS PER COMMENTS
1	3-27-19	NEW RIM ELEVATION

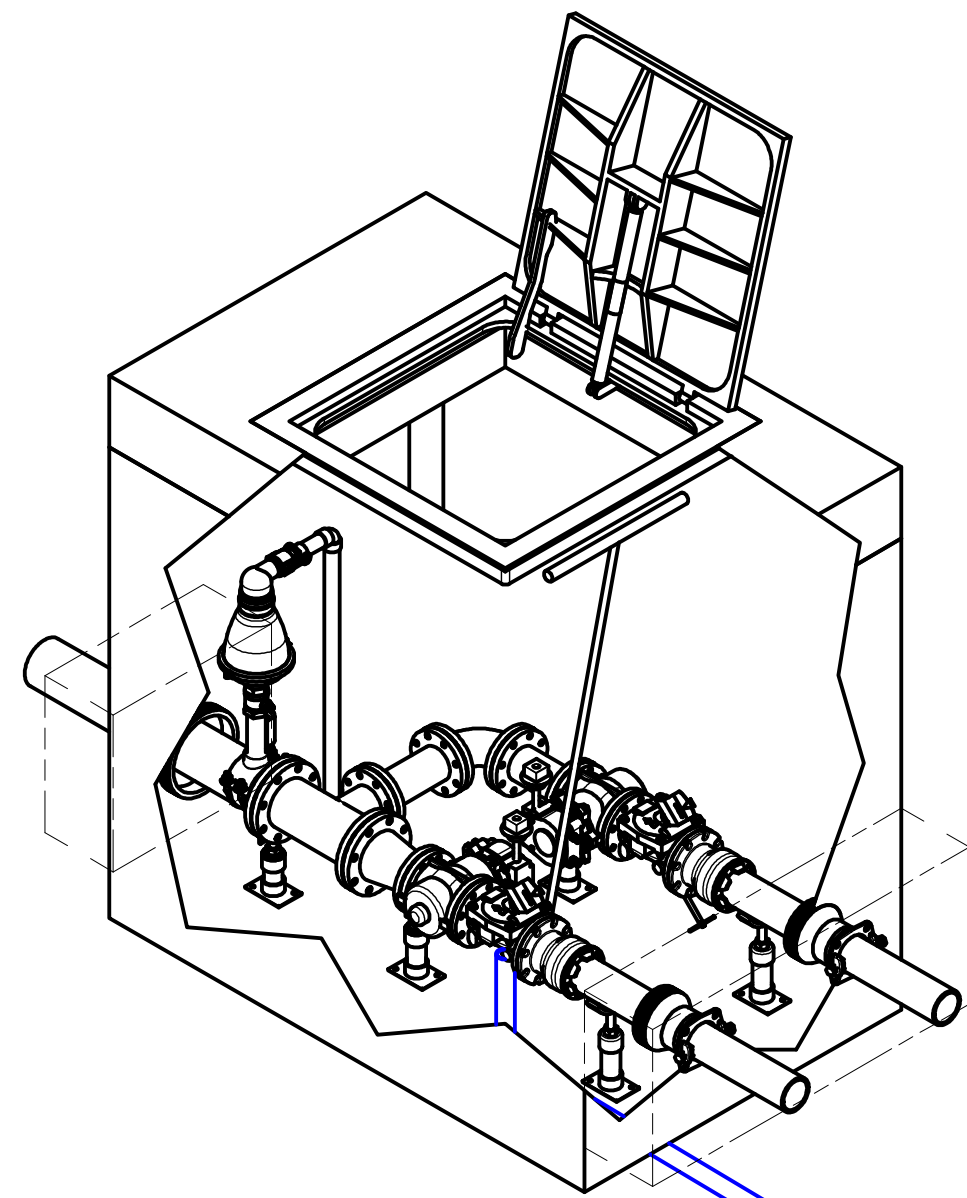
REV	DATE	DESCRIPTION
2	5/2/2019	ADJUST ELEVATIONS PER COMMENTS
1	3-27-19	NEW RIM ELEVATION

VERIFY SCALE
0 1" = 12'-0"

DATE: 3-13-19

ROMTEC UTILITIES
18240 NORTH BANK ROAD
ROSEBURG, OREGON 97470
PHONE: (541) 496-9678
WWW.ROMTECUTILITIES.COM

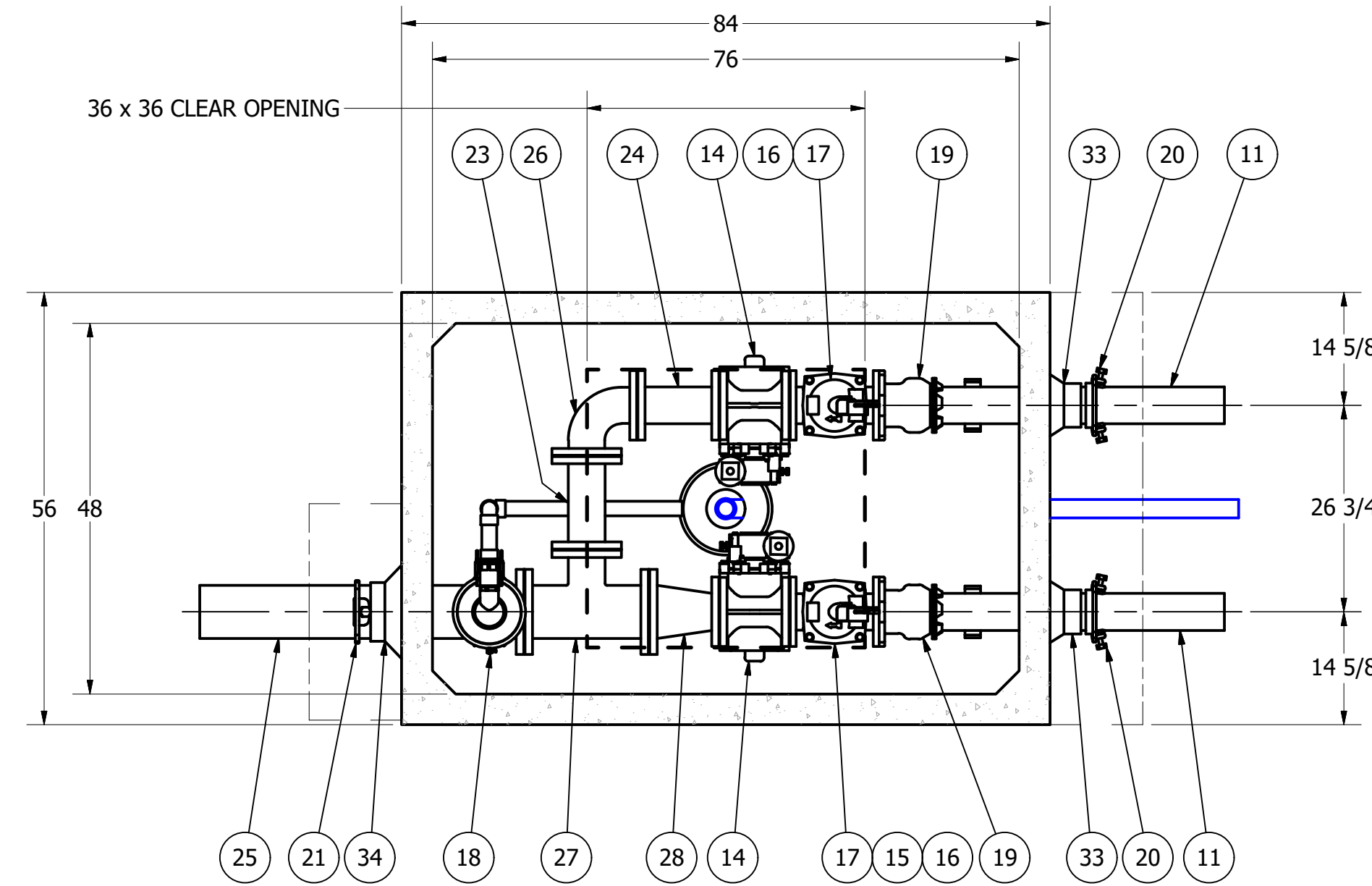
MICROSOFT - CUP
MOUNTAIN VIEW, CA
WET WELL ASSEMBLY
COMPONENT DRAWING
MECHANICAL SHEET
3 OF 5



ISO VIEW
SCALE 1 / 24

**577 VALVE VAULT
4" PIPING AND VALVES
W/ ARV & 6" OUTLET**

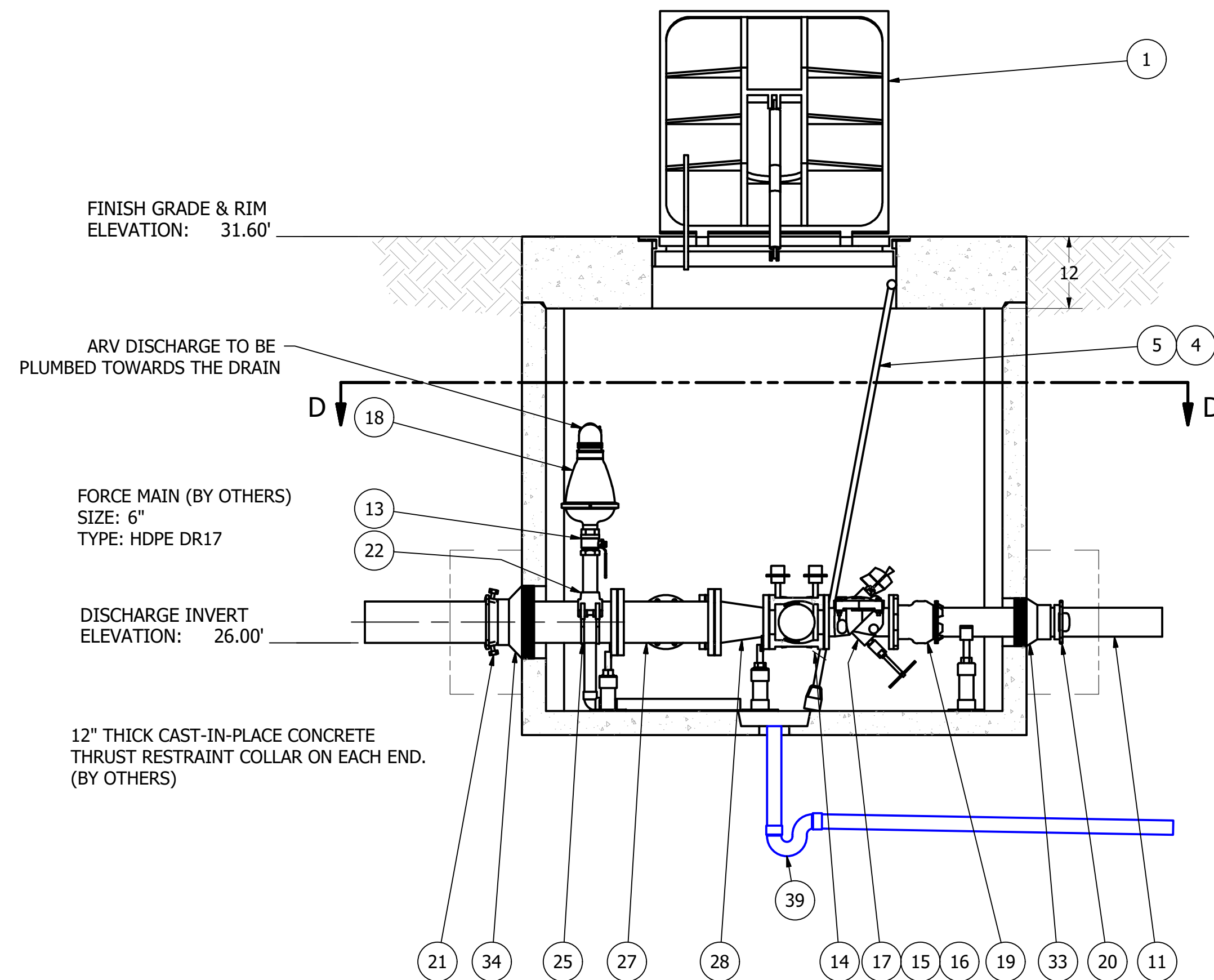
FOR DESIGN REVIEW



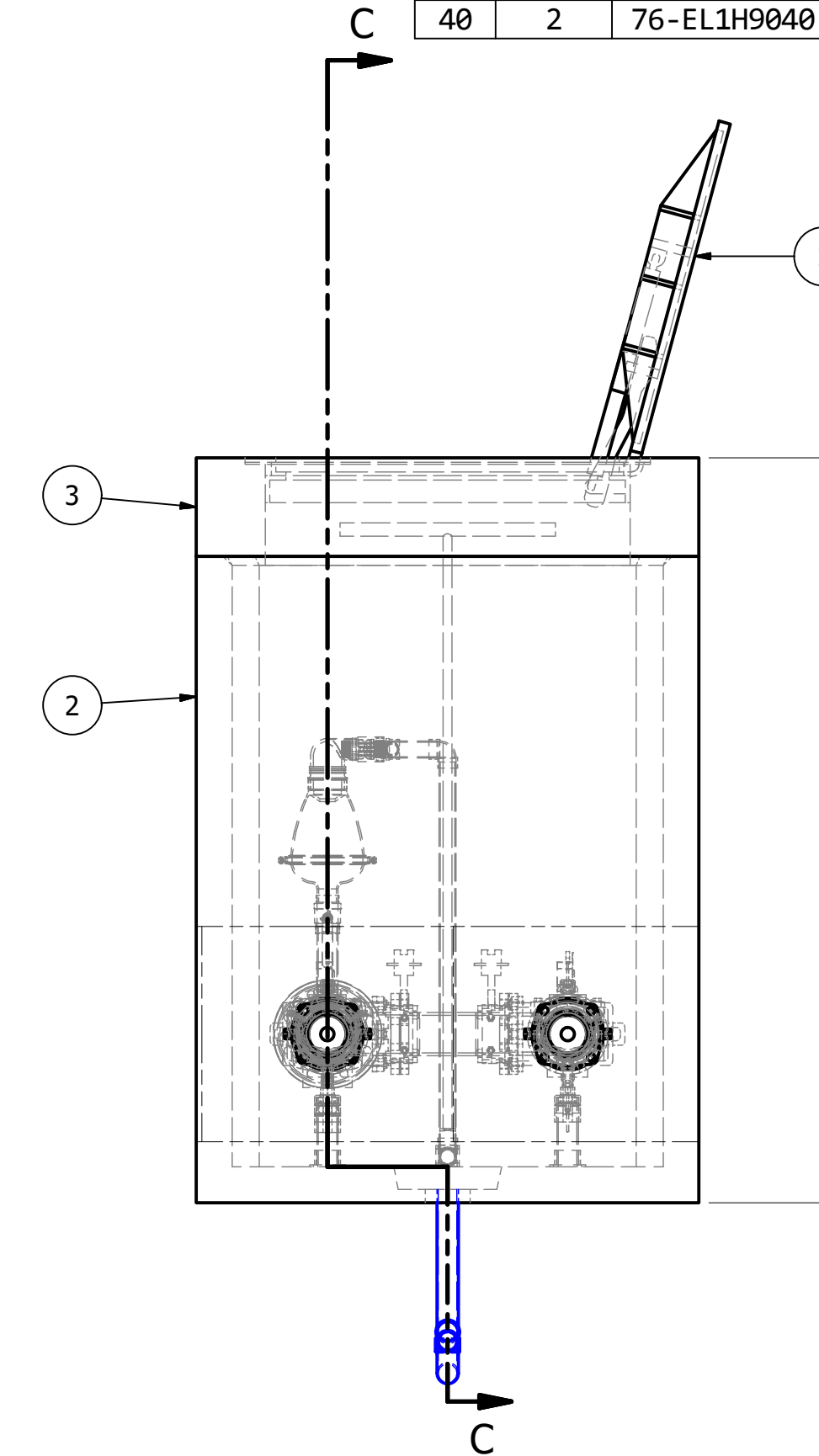
SECTION D-D
SCALE 1 / 18

**NOTE: TOP SLAB AND HATCH
ARE H20 FULL TRAFFIC RATED**

PARTS LIST				
ITEM	QTY	STOCK NUMBER	DESCRIPTION	
1	1	13-HH3636D0	HATCH - DI - 36in x 36in	
2	1	20-CB577000	BASE - VV - 577	
3	1	24-CT577HD0	TOP SLAB - VV - 577 - DI	
4	1	25-KY0000BR	BRACKET - VALVE KEY	
5	1	25-KY0600GW	VALVE KEY - 6ft - GATE WRENCH	
6	2	25-PS04RUFL	PIPE STAND - 304SS - 4in FLANGE	
7	2	25-PS04S92S	PIPE STAND - 304SS - 4in SADDLE	
8	1	25-PS06RUFL	PIPE STAND - 304SS - 6in FLANGE	
9	5	25-PS0BBASE	PIPE STAND BASE - 304SS - 2in - 2 BOLT	
10	2.8 ft	40-PP0200S4	PIPE - 304SS SCH40 - 2in DIA	
11	7.0 ft	40-PP0400D0	PIPE - DI - 4in DIA	
12	1	40-TT0208S4	NIPPLE - 304SS - 2in DIA x 8in	
13	1	41-BV0200S6	BALL VALVE - 316SS - 2in	
14	2	41-PV040GD0	PLUG VALVE - 4in - GEARED OP NUT	
15	1	42-AC0400BF	BACKFLOW ACTUATOR - 4in	
16	2	42-MI040000	MECHANICAL INDICATOR - 4in	
17	2	42-SF0400D0	CHECK VALVE - SWING FLEX - 4in	
18	1	43-AV020ARI	VALVE - AIR VACUUM RELEASE - 2in - ARI	
19	2	44-AD04RMAL	FLANGE ADAPTER - 4in - ALPHA	
20	2	44-RG040STR	RETAINER GLAND - 4in - HEAVY DUTY	
21	1	44-RG060STR	RETAINER GLAND - 6in - HEAVY DUTY	
22	1	44-TS060200	TAPPING SADDLE - 6in PIPE x 2in FNPT	
23	1	45-FF040120	SPOOL - DI - 4in DIA x 12in - FLGxFLG	
24	1	45-FF0410H0	SPOOL - DI - 4in DIA x 10.5in - FLGxFLG	
25	1	45-FP060420	SPOOL - DI - 6in DIA x 42in - FLGxPE	
26	1	46-EL0490DI	ELBOW - DI - 4in x 90deg - FLGxFLG	
27	1	46-TE0604DI	TEE - DI - 6in x 4in - FLGxFLG	
28	1	48-RD0604DC	REDUCER - DI - 6in x 4in - CONCENTRIC	
29	7	49-GS040000	GASKET - FLANGE - 4in	
30	2	49-GS060000	GASKET - FLANGE - 6in	
31	29 ft	51-SE0101SL	JOINT SEALANT - 1in - CONSEAL CS-202	
32	24 ft	51-TC060000	JOINT WRAP - 6in - TAPECOAT	
33	2	59-KB080400	KOR-N-SEAL - 8in CORE - 4in thru 1.5in PIPE	
34	1	59-KB1206DI	KOR-N-SEAL - 12in CORE x 6in DIPS PIPE	
35	6.5 ft	70-PP0200P4	PIPE - PVC SCH40 - 2in DIA	
36	6.0 ft	70-PP1H00P4	PIPE - PVC SCH40 - 1.5in DIA	
37	1	74-AD1H004M	ADAPTER - PVC SCH40 - 1.5in - SLIP x MNPT	
38	1	74-CL1H1HSF	CAM LOCK - 1.5in SOCKET x 1.5in FNPT	
39	1	76-EL02PT40	ELBOW - PVC DWV - 2in - P-TRAP	
40	2	76-EL1H9040	ELBOW - PVC SCH40 - 1.5in x 90deg - SLIP	



SECTION C-C
SCALE 1 / 18



FRONT VIEW
SCALE 1 / 18

NOTE: CONTRACTOR TO SEAL ALL CONCRETE JOINTS AND PIPE PENETRATIONS WITH NON-SHRINK GROUT

NOTE: ALL DIMENSIONS AND ELEVATIONS SHOWN ARE NOMINAL DIMENSIONS. IT IS THE RESPONSIBILITY OF THE ON-SITE CONTRACTOR OR ROMTEC UTILITIES CUSTOMER (NOT ROMTEC UTILITIES) TO VERIFY THE ACCURACY OF ANY CRITICAL DIMENSIONS OR ELEVATIONS PRIOR TO SETTING OR INSTALLING ANY EQUIPMENT.

COLOR LEGEND

- MAJOR CONCRETE COMPONENTS WITH PRE-INSTALLED COMPONENTS.
- COMPONENTS PRE-ASSEMBLED TO THE EXTENT POSSIBLE AND WILL NEED TO BE FIELD INSTALLED.

NOTE: PRE-ASSEMBLY IS DONE AT ROMTEC UTILITIES' DISCRETION AND MAY CHANGE AT THE TIME OF PRODUCTION.



© 2019 ROMTEC INC. ALL RIGHTS RESERVED. THESE PLANS AND DRAWINGS MAY NOT BE REPRODUCED, ADAPTED, OR FURTHER DISTRIBUTED, AND NO COMPONENTS MAY BE CONSTRUCTED FROM THESE PLANS, WITHOUT WRITTEN PERMISSION OF ROMTEC, INC.

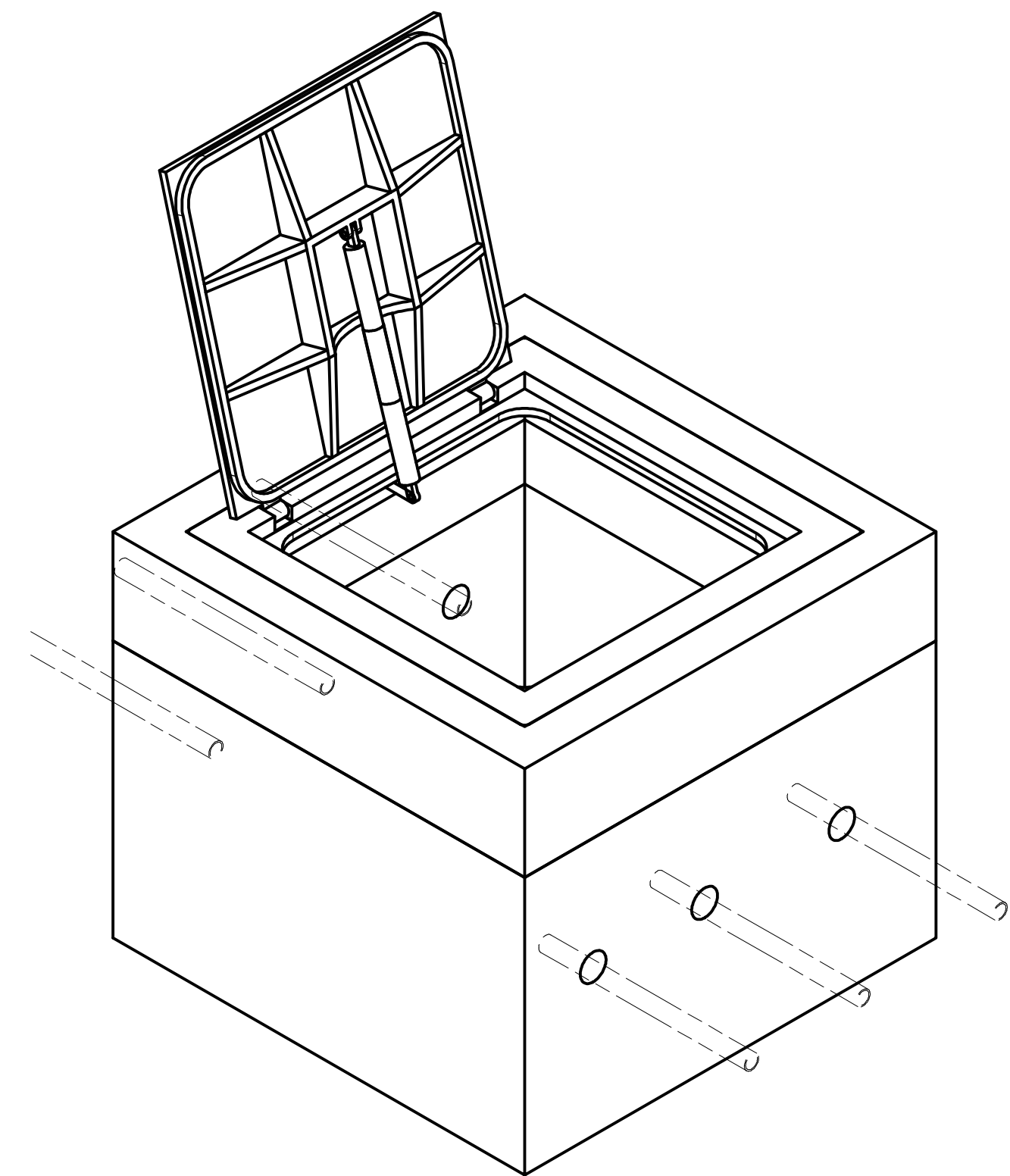
VERIFY SCALE
0 1"

ROMTEC UTILITIES
18240 NORTH BANK ROAD
ROSEBURG, OREGON 97470
PHONE: (541) 496-9678
WWW.ROMTECUTILITIES.COM

MICROSOFT - CUP
MOUNTAIN VIEW, CA
VALVE VAULT ASSEMBLY
COMPONENT DRAWING

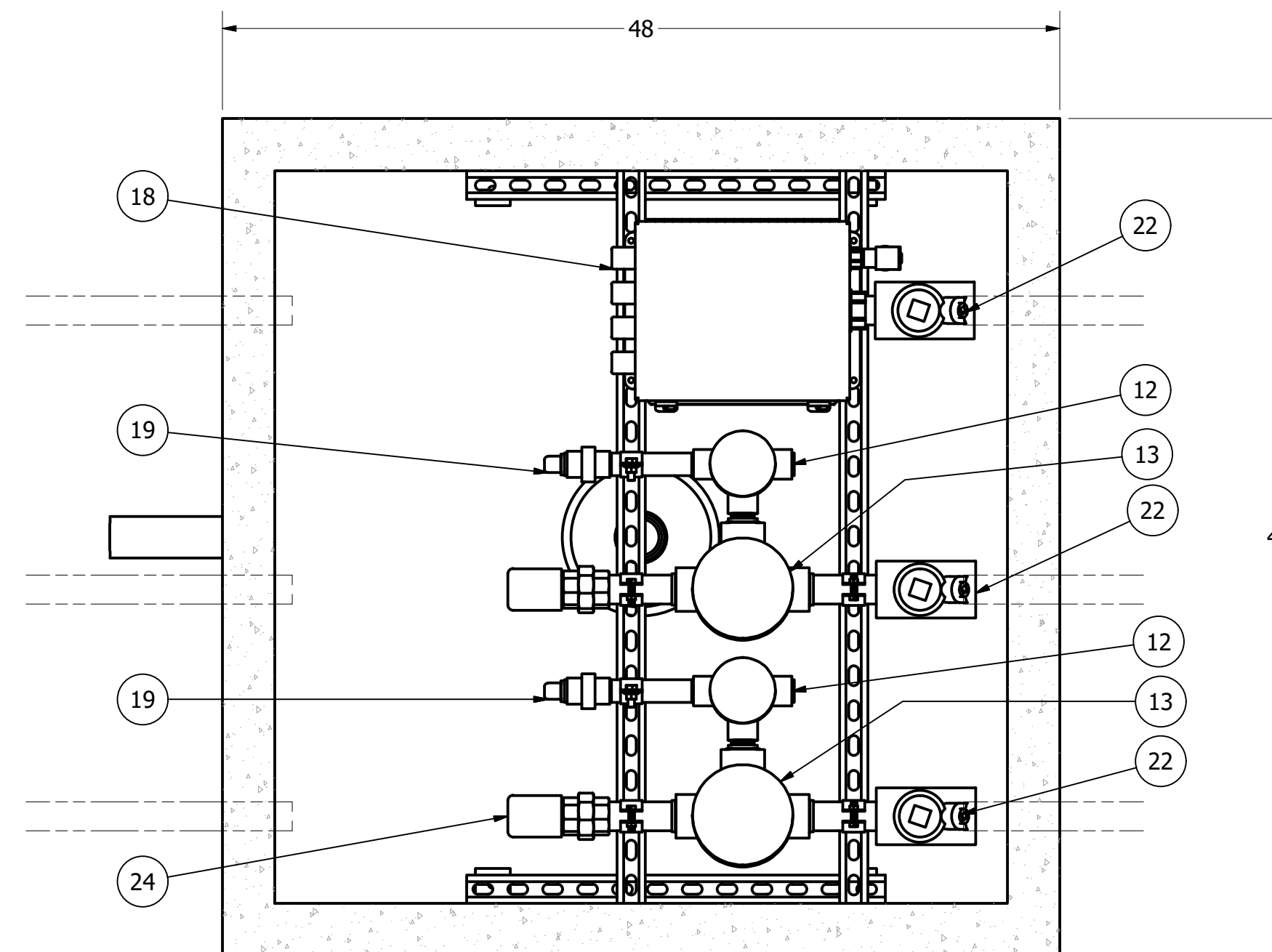
REV	DATE	DESCRIPTION	BY
2	5/2/2019	ADJUST ELEVATIONS PER COMMENTS	KB
1	3-27-19	NEW RIM ELEVATION	AD

REVISION HISTORY



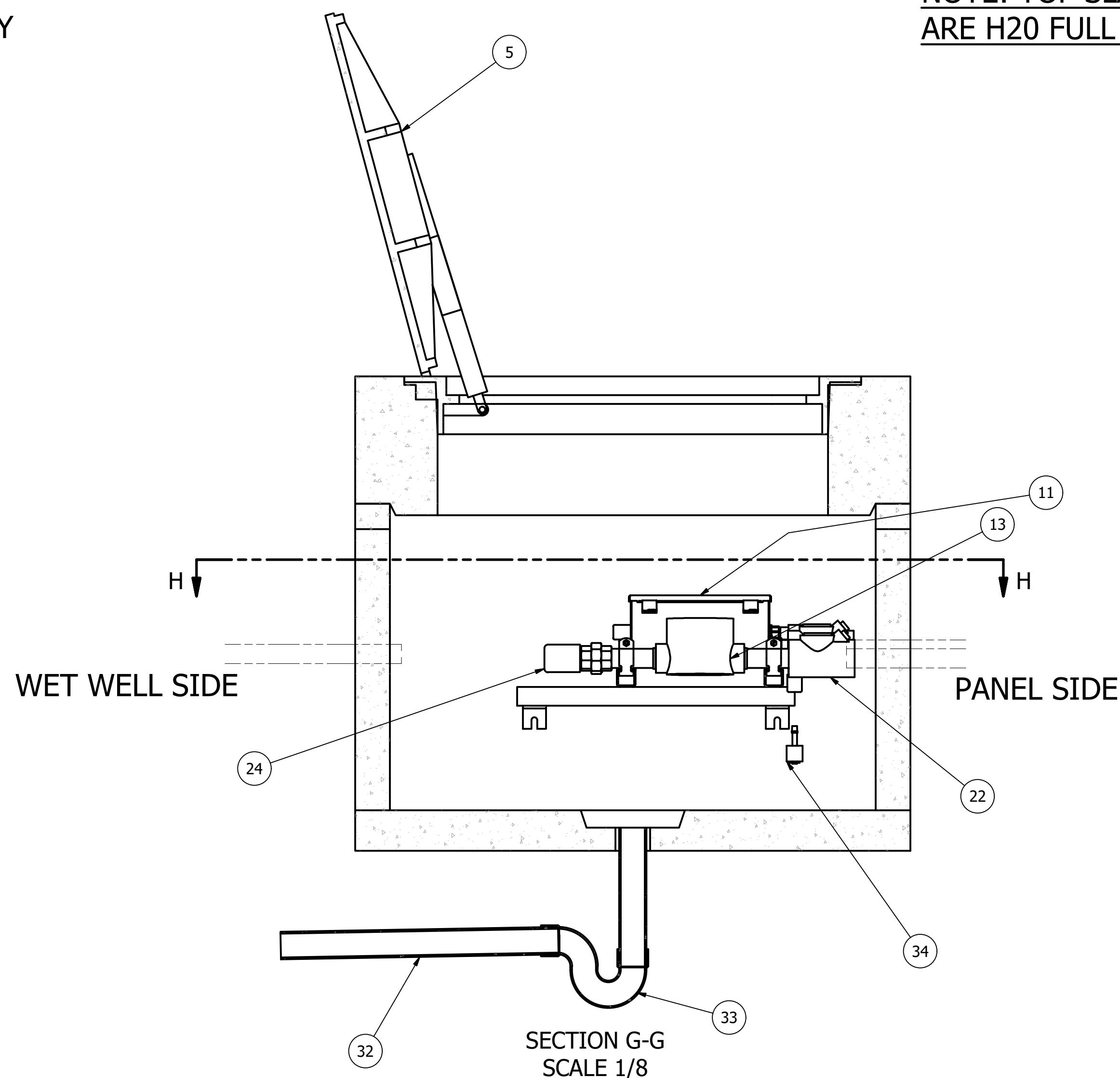
DUPLEX JUNCTION BOX ASSEMBLY
FOR DUAL CABLE PUMPS

FOR DESIGN REVIEW

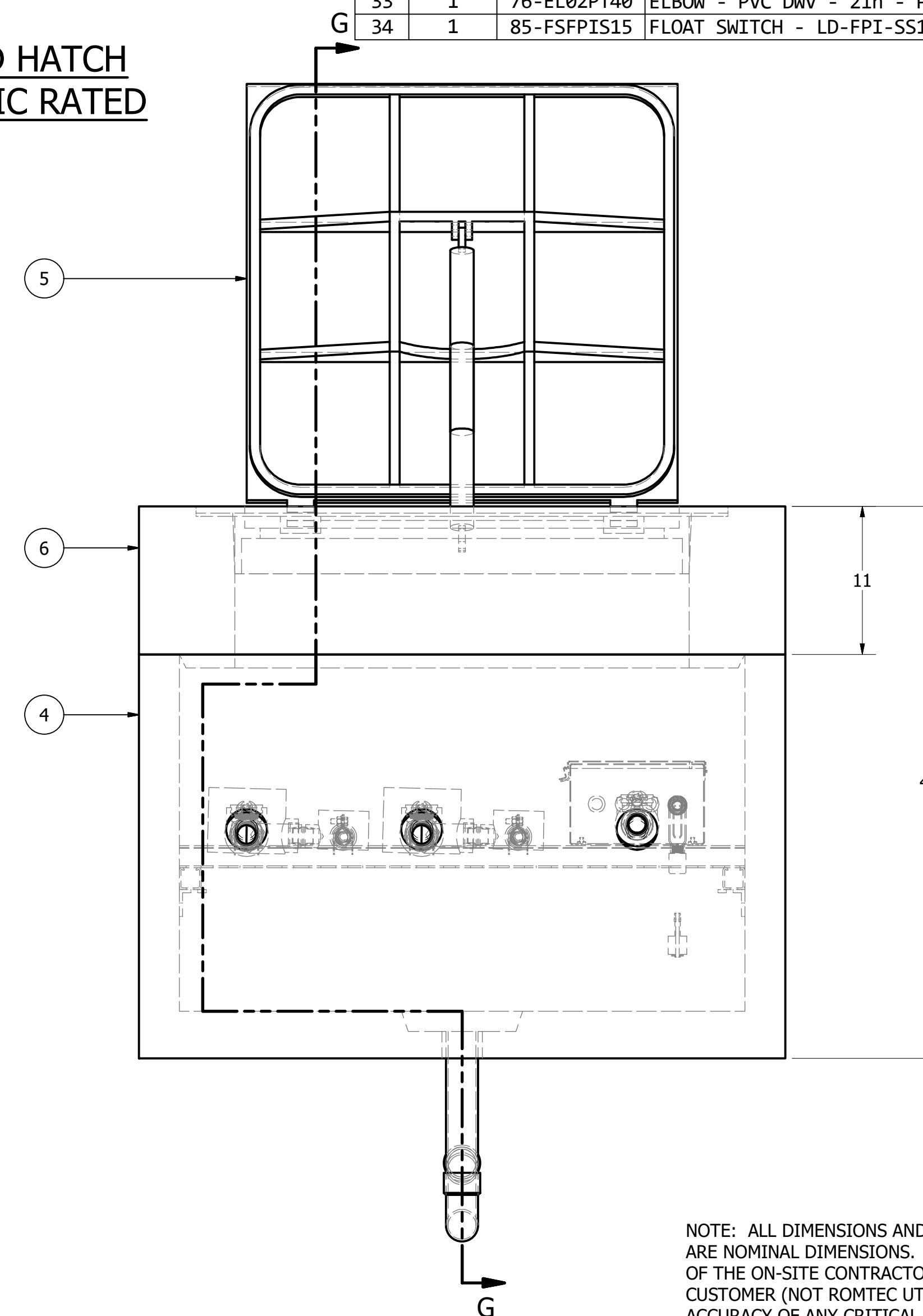


SECTION H-H
SCALE 1/8

**NOTE: TOP SLAB AND HATCH
ARE H20 FULL TRAFFIC RATED**



SECTION G-G
SCALE 1/8



NOTE: ALL DIMENSIONS AND ELEVATIONS SHOWN
ARE NOMINAL DIMENSIONS. IT IS THE RESPONSIBILITY
OF THE ON-SITE CONTRACTOR OR ROMTEC UTILITIES
CUSTOMER (NOT ROMTEC UTILITIES) TO VERIFY THE
ACCURACY OF ANY CRITICAL DIMENSIONS OR ELEVATIONS
PRIOR TO SETTING OR INSTALLING ANY EQUIPMENT.

PARTS LIST				
ITEM	QTY	STOCK NUMBER	DESCRIPTION	
1	2	18-AC0000B	BOLT KIT - 316SS - WALL BRACKET	
2	2	18-AC01CLS6	DISCHARGE CLAMP - 316SS - 1in - STRUTMOUNT	
3	4	18-AC1QCLS6	DISCHARGE CLAMP - 316SS - 1.25in - STRUTMOUNT	
4	1	20-CB444030	BASE - VV - 444B X 30in TALL	
5	1	13-HH3030D0	HATCH - DI - 30in x 30in	
6	1	24-CT444HD0	TOP SLAB -VV - 444 - H20	
7	4	50-BR00JBOX	WALL BRACKET - 304SS - 2in ANGLE	
8	11.0 ft	50-US000S6	UNISTRUT - 316SS - SLOTTED	
9	1	51-BT060000	JOINT WRAP - 6in - BOA TAPE	
10	1	51-SE303QSL	SEALANT - 0.75in x 0.75in - 21ft/ROLL - CS-202	
11	1	61-JB1012SF	JUNCTION BOX - INTRINS. SAFE - 10in x 12in	
12	2	61-JBGR100	CONDUIT OUTLET BOX - 1in - 3-WAY	
13	2	61-JBGR1H0	CONDUIT OUTLET BOX - 1.5in - 3-WAY	
14	1	62-EE0H00RD	RIGID CONDUIT BODY - .5in - SLB-50	
15	2	62-EP010CPG	CONDUIT PLUG - 1in	
16	2	62-EP010HRB	CONDUIT BUSHING - 1in x .5in	
17	1	62-EP0H0HUB	MYERS HUB - .5in	
18	5	62-EP0HGLND	CABLE CONNECTOR - .5in	
19	2	62-EP0HGLND	CABLE GLAND - .5in	
20	2	62-EP1H01RB	CONDUIT BUSHING - 1.5in x 1in	
21	4	62-EP1H1QRB	CONDUIT BUSHING - 1.5in x 1.25in	
22	3	62-EP1Q0CSO	CONDUIT SEAL-OFF - 1.25in	
23	1	62-EP1Q0HUB	MYERS HUB - 1.25in	
24	2	62-EP1QGLND	CABLE GLAND - 1.25in	
25	2	62-TT010600	NIPPLE - RIGID - 1in DIA x 6in	
26	2	62-TT010C00	NIPPLE - RIGID - 1in DIA x CLOSE	
27	1	62-TT0H0100	NIPPLE - RIGID - 0.5in DIA x 1in	
28	1	62-TT1Q0200	NIPPLE - RIGID - 1.25in DIA x 2in	
29	4	62-TT1Q0500	NIPPLE - RIGID - 1.25in DIA x 5in	
30	2	62-UN010000	CONDUIT UNION - 1in	
31	2	62-UN1Q0400	UNION - 1.25in DIA	
32	3.0 ft	70-PP0200P4	PIPE - PVC SCH40 - 2in DIA	
33	1	76-EL02PT40	ELBOW - PVC DWV - 2in - P-TRAP	
34	1	85-FSFPIS15	FLOAT SWITCH - LD-FPI-SS15	

VERIFY SCALE	0	1"
DSN: KS	REV	DATE
DRN: KEVIN BOGAN	0	3/13/2019
CKD:		
DATE:		3-13-19

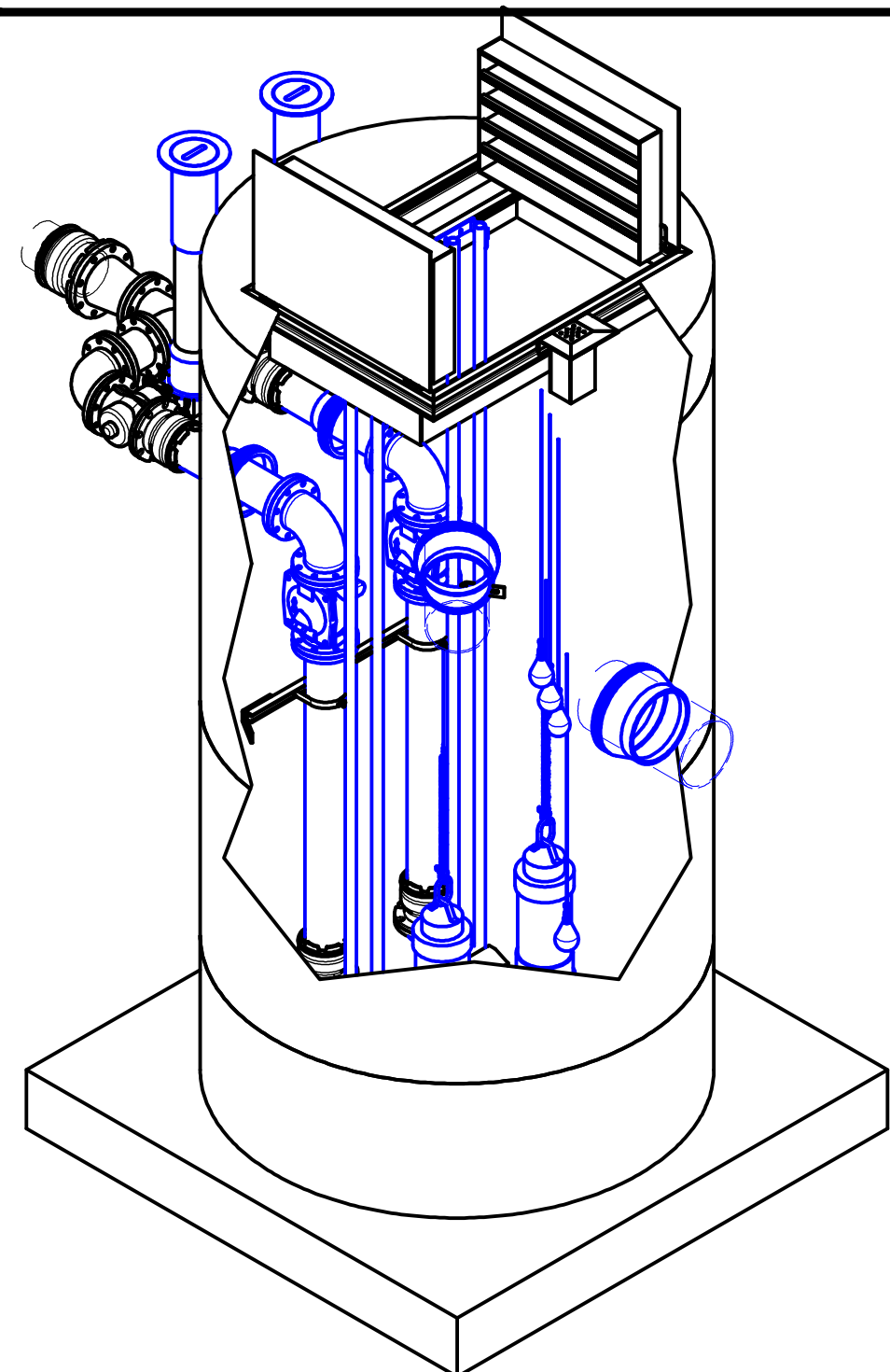
ROMTEC UTILITIES
18240 NORTH BANK ROAD
ROSEBURG, OREGON 97470
PHONE: (541) 496-9678
WWW.ROMTECUTILITIES.COM

MICROSOFT - CUP
MOUNTAIN VIEW, CA
JUNCTION BOX ASSEMBLY
COMPONENT DRAWING



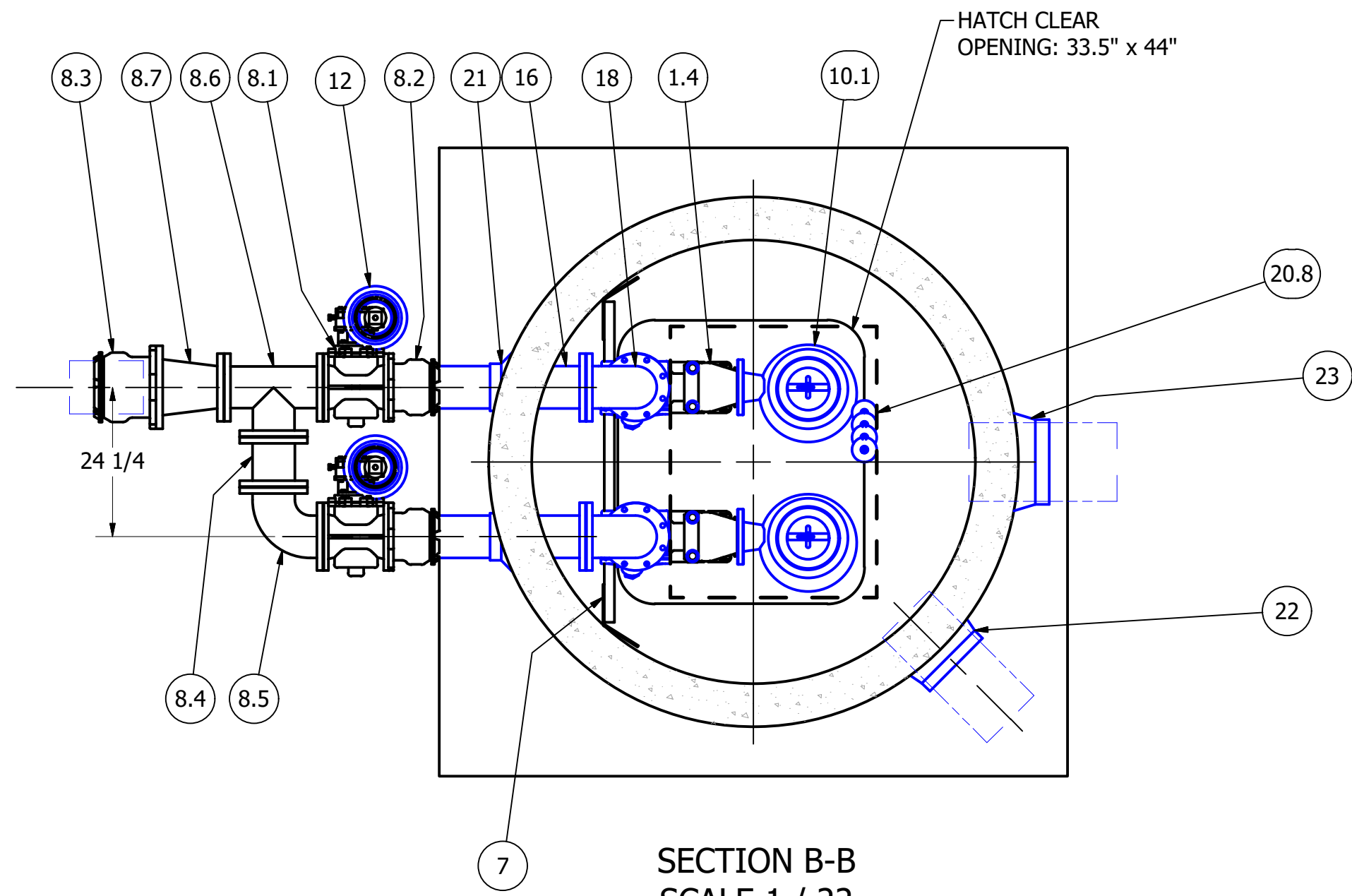
© 2019 ROMTEC INC. ALL RIGHTS RESERVED.
THESE PLANS AND DRAWINGS MAY NOT BE
REPRODUCED, ADAPTED, OR FURTHER
DISTRIBUTED, AND NO COMPONENTS MAY BE
CONSTRUCTED FROM THESE PLANS, WITHOUT
WRITTEN PERMISSION OF ROMTEC, INC.

REVISION HISTORY



ISO VIEW
SCALE 1 / 30

6" DIAMETER WET WELL
6" DISCHARGE PIPING
DUPLEX EBARA PUMPS
6" VALVE ASSEMBLY



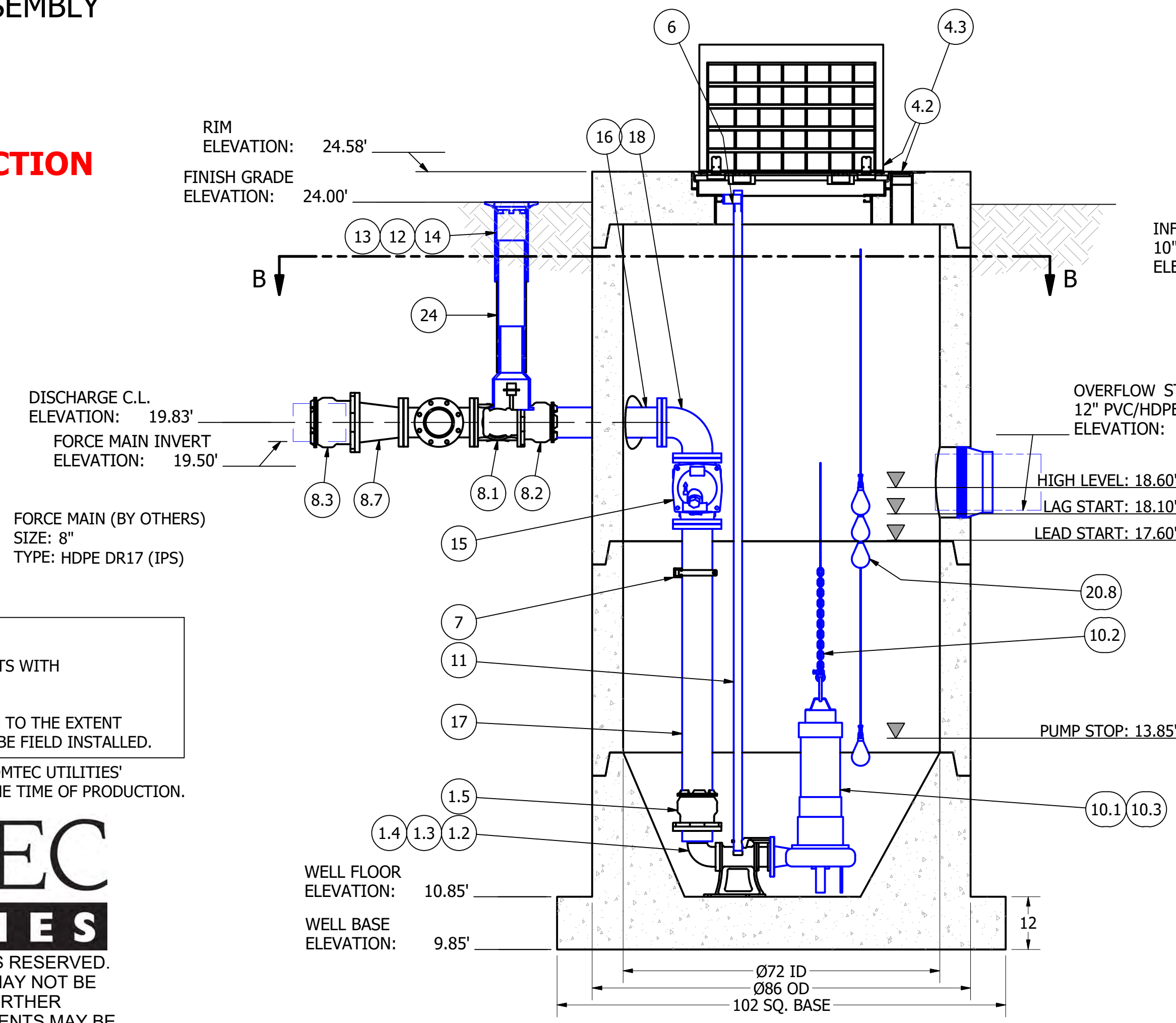
SECTION B-B
SCALE 1 / 22

PRIMARY SENSOR ELEVATION TABLE		
DESCRIPTION	ELEVATION	Δ
INFLUENT INVERT	21.46'	
HIGH LEVEL ALARM	18.60'	0.50'
LAG PUMP START	18.10'	0.50'
LEAD PUMP START	17.60'	3.75'
PUMP STOP	13.85'	3.00'
WELL FLOOR	10.85'	

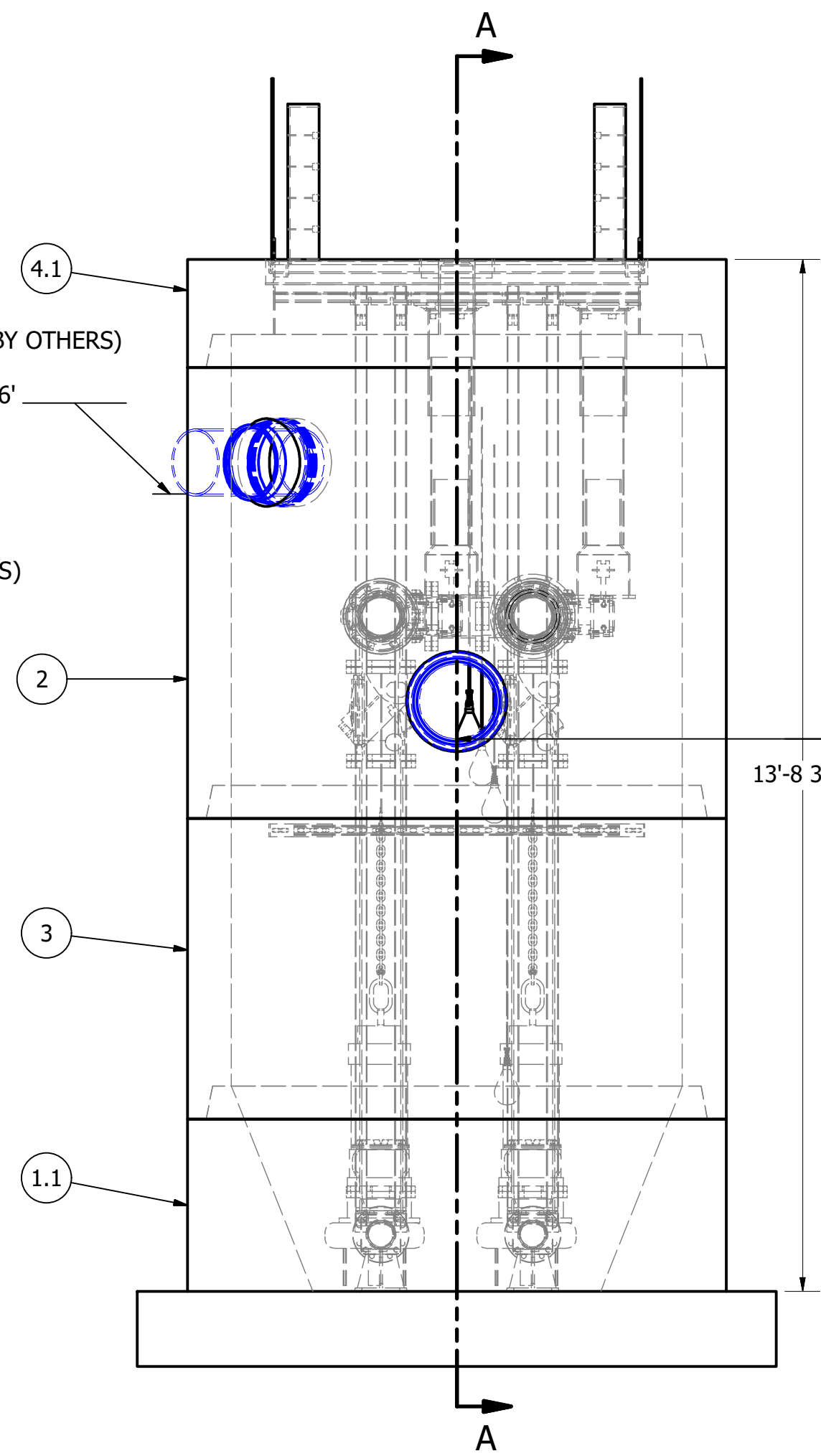
NOTE: TOP SLAB AND HATCH ARE
H-20 OCCASIONAL TRAFFIC RATED

PARTS LIST			
ITEM	QTY	STOCK NUMBER	DESCRIPTION
1	1	10-CB000000	BASE SLAB ASSEMBLY
1.1	1	10-CB068HSQ	BASE - WW - 6ft DIA - RU DESIGN - SQUARE
1.2	2	31-EL0406EB	DISCHARGE ELBOW - 4in x 6in - EBARA
1.3	2	31-HW00AKS6	ANCHOR KIT - 316SS - DISCHARGE ELBOW
1.4	2	31-QD04LLEB	QDC - 4in - LL100 - EBARA
1.5	2	44-AD06RMAL	FLANGE ADAPTER - 6in - ALPHA
2	1	12-CR067200	BARREL - 6ft DIA x 6ft H
3	1	12-CR064800	BARREL - 6ft DIA x 4ft H
4	1	14-CT000000	TOP SLAB ASSEMBLY
4.1	1	14-CT06HD00	TOP SLAB - 6ft DIA - H20
4.2	1	13-HH06HD0E	HATCH - H20 - 6ft - 6ft - 33.5in x 44in
4.3	1	13-VT0000AL	VENT - ALUMINUM - FLUSH
5	2	17-AC38000B	BOLT KIT - UPPER GUIDE BAR BRACKET
6	2	17-UG1HS6EB	BRACKET - 316SS - UPPER GUIDE BAR - 1.5in
7	1	18-BR000000	BRACKET ASSEMBLY - 316SS - DISCHARGE SUPPORT
8	1	20-VV000000	VALVE ASSEMBLY
8.1	2	41-PV060BD0	PLUG VALVE - 6in - GEARED OP NUT - BURIED
8.2	2	44-AD06RMAL	FLANGE ADAPTER - 6in - ALPHA
8.3	1	44-AD08RMAL	FLANGE ADAPTER - 8in - ALPHA
8.4	1	45-FF060080	SPOOL - DI - 6in DIA x 8in - FLGxFLG
8.5	1	46-EL0690DI	ELBOW - DI - 6in x 90deg - FLGxFLG
8.6	1	46-TE0606DI	TEE - DI - 6in - FLGxFLG
8.7	1	48-RD0806DC	REDUCER - DI - 8in x 6in - CONCENTRIC
8.8	5	49-GS060000	GASKET - FLANGE - 6in
9	1	25-KY0000GW	VALVE KEY - EXTENDABLE GATE WRENCH
10	1	30-PU000000	PUMP SHIPPING CRATE
10.1	2	30-PU0000EB	PUMP - EBARA 100DLMFU618 - 25hp
10.2	2	32-AC0000EB	LIFTING SLING ASSEMBLY - 316SS - EBARA PUMPS - 16ft TOTAL LENGTH
10.3	2	32-CGB000SS	CORD GRIP - SS - 1.000in THRU 1.240in
10.4	1	32-PL000000	LIFTING RING - PUMP
10.5	2	30-PUCABL25	PUMP OPTION: LONG CABLES - 75ft - 25HP
11	50.0 ft	40-PP1H00S4	PIPE - 304SS SCH40 - 1.5in DIA
12	2	41-VB000BAS	VALVE BOX - BASE
13	2	41-VB000LID	VALVE BOX - LID
14	2	41-VB000TOP	VALVE BOX - TOP
15	2	42-SF0600D0	CHECK VALVE - SWING FLEX - 6in
16	2	45-FP060300	SPOOL - DI - 6in DIA x 30in - FLGxPE
17	2	45-FP060720	SPOOL - DI - 6in DIA x 72in - FLGxPE
18	2	46-EL0690DI	ELBOW - DI - 6in x 90deg - FLGxFLG
19	6	49-GS060000	GASKET - FLANGE - 6in
20	1	50-AC000000	WELL SHIPPING CRATE
20.1	3	12-GS000001	BARREL - GASKET
20.2	1	13-KY000000	HATCH KEY
20.3	4	18-AC00CH00	CABLE HANGER ASSEMBLY
20.4	4	18-HD040000	LIFTING CLUTCH - 4 TON
20.5	1	51-AC00NSTB	NEVER SIEZE - TUBE
20.6	72.5 ft	51-SE0101SL	JOINT SEALANT - 1in - CONSEAL CS-202
20.7	68 ft	51-TC060000	JOINT WRAP - 6in - TAPECOAT
20.8	4	80-FS20MSNL	FLOAT - 20m - MS1 - NOLTA
21	2	59-KB1206DI	KOR-N-SEAL - 12in CORE x 6in PIPE
22	1	59-KB161000	KOR-N-SEAL - 16in CORE x 10in PIPE
23	1	59-KB1612DI	KOR-N-SEAL - 16in CORE x 12in PIPE
24	5.0 ft	70-PP0600DR	PIPE - PVC SDR35 - 6in DIA

FOR PRODUCTION



SECTION A-A
SCALE 1 / 22



FRONT VIEW
SCALE 1 / 22

COLOR LEGEND

 	MAJOR CONCRETE COMPONENTS WITH PRE-INSTALLED COMPONENTS.
 	COMPONENTS PRE-ASSEMBLED TO THE EXTENT POSSIBLE AND WILL NEED TO BE FIELD INSTALLED.

NOTE: PRE-ASSEMBLY IS DONE AT ROMTEC UTILITIES' DISCRETION AND MAY CHANGE AT THE TIME OF PRODUCTION.



© 2019 ROMTEC INC. ALL RIGHTS RESERVED. THESE PLANS AND DRAWINGS MAY NOT BE REPRODUCED, ADAPTED, OR FURTHER DISTRIBUTED, AND NO COMPONENTS MAY BE CONSTRUCTED FROM THESE PLANS, WITHOUT WRITTEN PERMISSION OF ROMTEC, INC.

NOTE: CONTRACTOR TO SEAL ALL CONCRETE JOINTS AND PIPE PENETRATIONS WITH NON-SHRINK GROUT

NOTE: ALL DIMENSIONS AND ELEVATIONS SHOWN ARE NOMINAL DIMENSIONS. IT IS THE RESPONSIBILITY OF THE ON-SITE CONTRACTOR OR ROMTEC UTILITIES CUSTOMER (NOT ROMTEC UTILITIES) TO VERIFY THE ACCURACY OF ANY CRITICAL DIMENSIONS OR ELEVATIONS PRIOR TO SETTING OR INSTALLING ANY EQUIPMENT.

MICROSOFT - RAINWATER A

MOUNTAIN VIEW, CA

WET WELL ASSEMBLY

COMPONENT DRAWING

VERIFY SCALE

0 1"

DATE: 3-14-19

REVISION HISTORY

REV	DATE	DESCRIPTION
1	3-14-19	REDESIGN FOR 500GPM, NEW ELEVATIONS
2	4/30/2019	REVISED OVERFLOW ELEVATION PER COMMENTS

AD

KB

BY

DSN: KEVIN BOGAN

DRN: KEVIN BOGAN

CKD:

WWW.ROMTECUTILITIES.COM

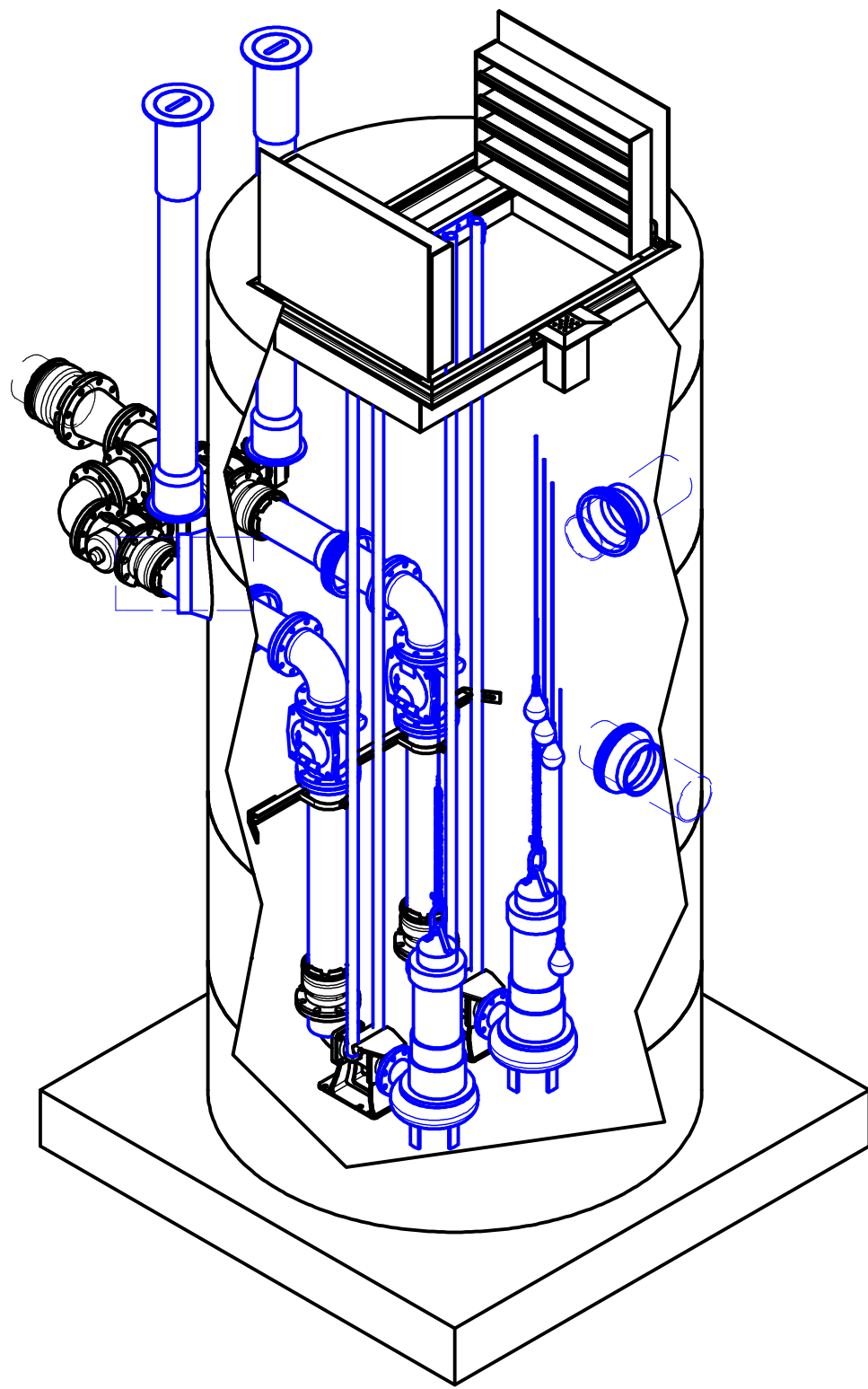
18240 NORTH BANK ROAD

ROSEBURG, OREGON 97470

PHONE: (541) 496-9678

MECHANICAL SHEET

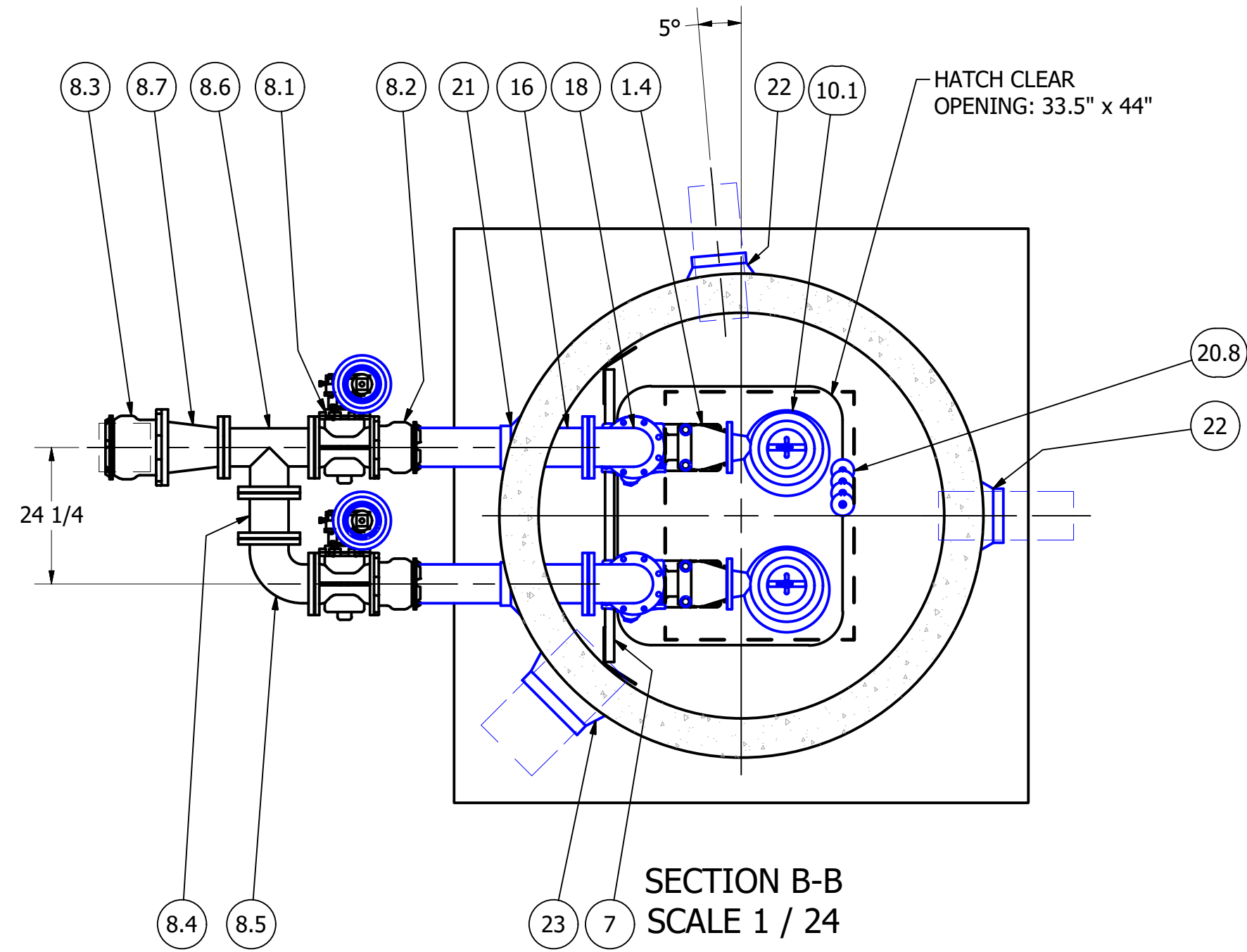
3 OF 4



ISO VIEW
SCALE 1 / 30

6" DIAMETER WET WELL
6" DISCHARGE PIPING
DUPLEX EBARA PUMPS
6" VALVE ASSEMBLY

FOR PRODUCTION

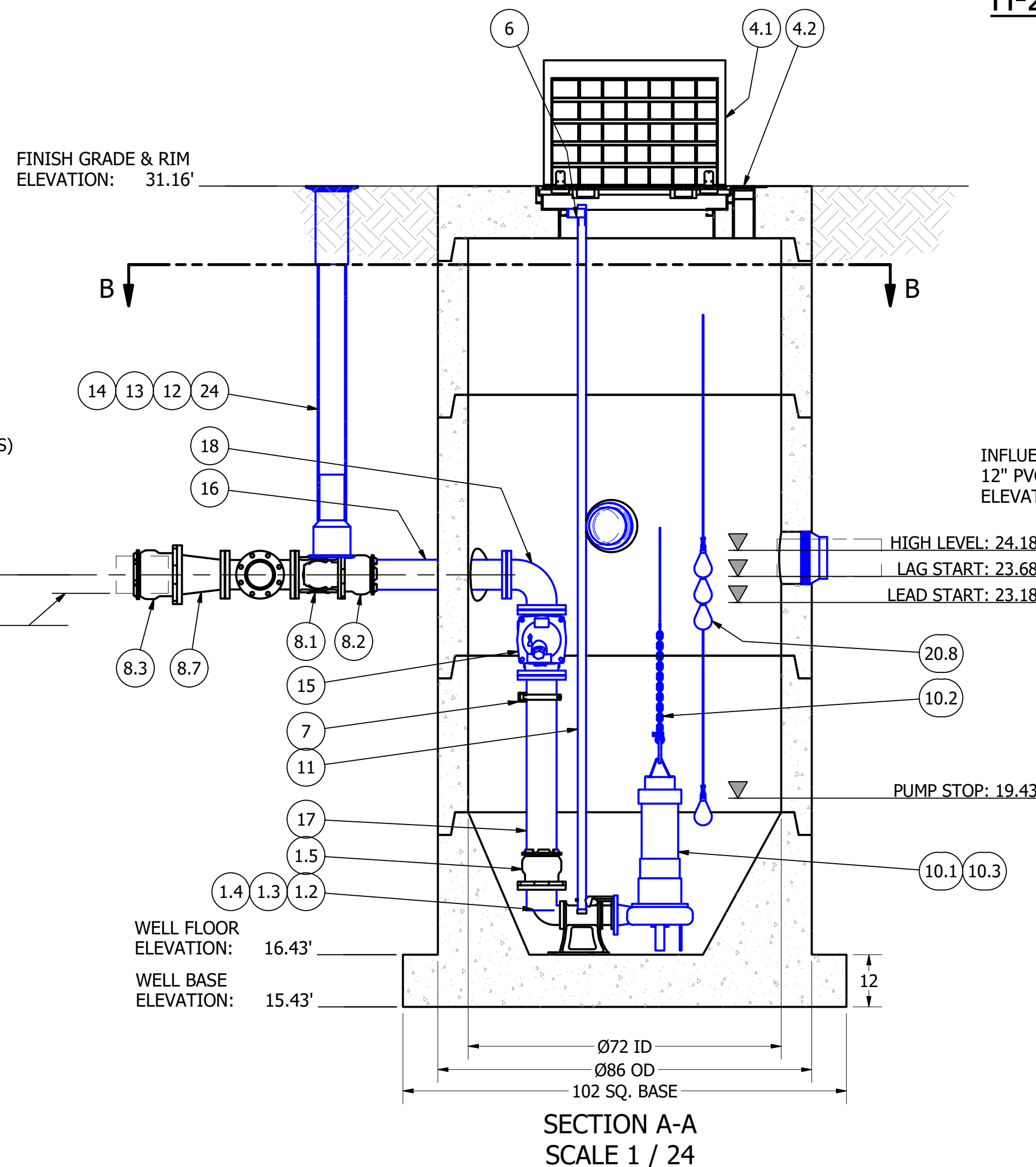


SECTION B-B
SCALE 1 / 24

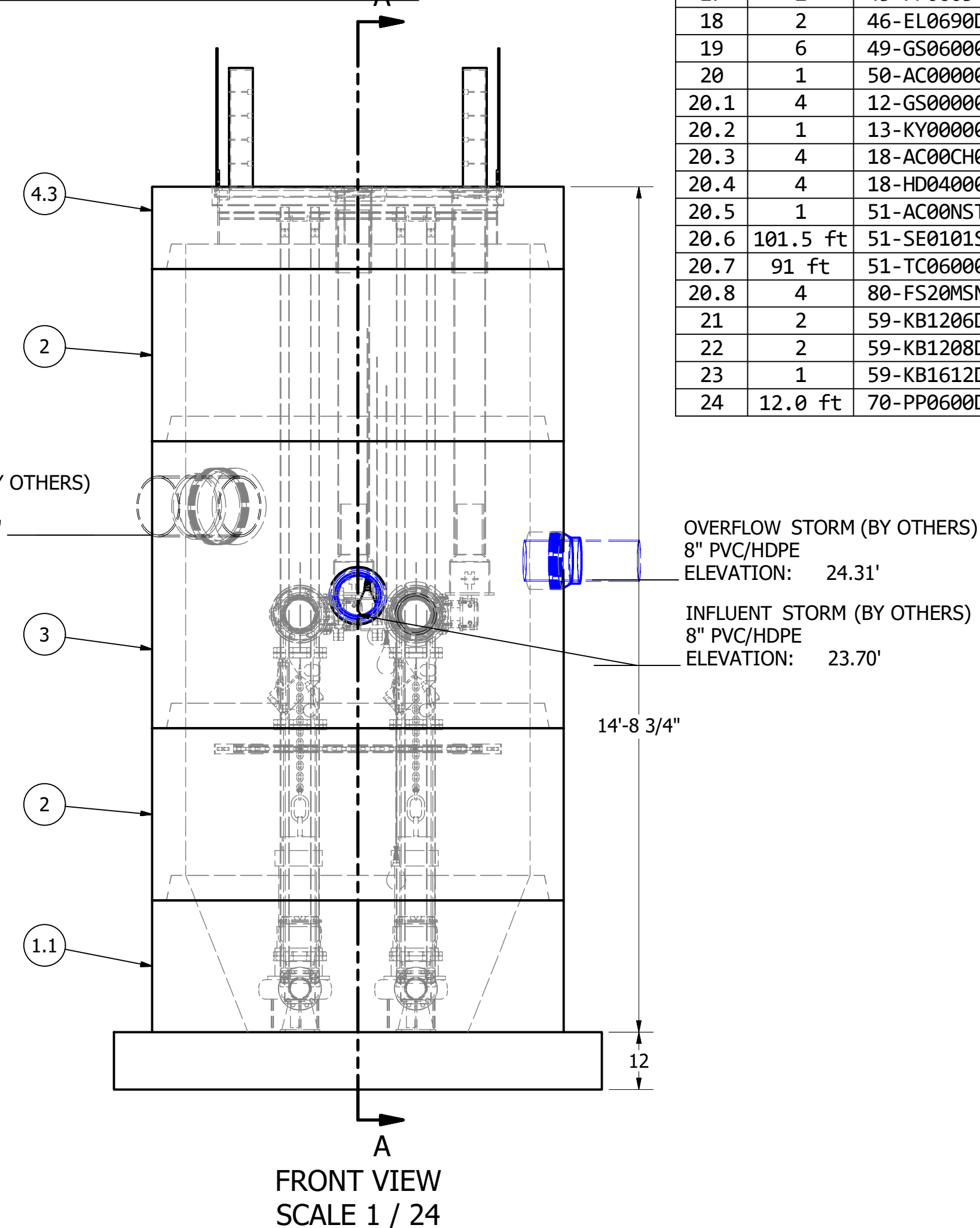
PRIMARY SENSOR ELEVATION TABLE		
DESCRIPTION	ELEVATION	Δ
INFLUENT INVERT	23.70'	
HIGH LEVEL ALARM	24.18'	0.50'
LAG PUMP START	23.68'	0.50'
LEAD PUMP START	23.18'	3.75'
PUMP STOP	19.43'	3.00'
WELL FLOOR	16.43'	

PARTS LIST			
ITEM	QTY	STOCK NUMBER	DESCRIPTION
1	1	10-CB000000	BASE SLAB ASSEMBLY
1.1	1	10-CB068HSQ	BASE - WW - 6ft DIA - RU DESIGN - SQUARE
1.2	2	31-EL0406EB	DISCHARGE ELBOW - 4in x 6in - EBARA
1.3	2	31-HW00AKS6	ANCHOR KIT - 316SS - DISCHARGE ELBOW
1.4	2	31-QD04LLEB	QDC - 4in - LL100 - EBARA
1.5	2	44-AD06RMAL	FLANGE ADAPTER - 6in - ALPHA
2	2	12-CR063600	BARREL - 6ft DIA x 3ft H
3	1	12-CR066000	BARREL - 6ft DIA x 5ft H
4	1	14-CT000000	TOP SLAB ASSEMBLY
4.1	1	13-HH06HD0E	HATCH - H20 - 6ft - 33.5in x 44in
4.2	1	13-VT0000AL	VENT - ALUMINUM - FLUSH
4.3	1	14-CT06HD00	TOP SLAB - 6ft DIA - H20
5	2	17-AC38000B	BOLT KIT - UPPER GUIDE BAR BRACKET
6	2	17-UG1HS6EB	BRACKET - 316SS - UPPER GUIDE BAR - 1.5in
7	1	18-BR000000	BRACKET ASSEMBLY - 316SS - DISCHARGE SUPPORT
8	1	20-VV000000	VALVE VAULT ASSEMBLY
8.1	2	41-PV060G0D	PLUG VALVE - 6in - GEARED OP NUT
8.2	2	44-AD06RMAL	FLANGE ADAPTER - 6in - ALPHA
8.3	1	44-AD08RMAL	FLANGE ADAPTER - 8in - ALPHA
8.4	1	45-FF060080	SPOOL - DI - 6in DIA x 8in - FLGxFLG
8.5	1	46-EL0690DI	ELBOW - DI - 6in x 90deg - FLGxFLG
8.6	1	46-TE0606DI	TEE - DI - 6in - FLGxFLG
8.7	1	48-RD0806DC	REDUCER - DI - 8in x 6in - CONCENTRIC
8.8	5	49-GS060000	GASKET - FLANGE - 6in
9	1	25-KY0000GW	VALVE KEY - EXTENDABLE GATE WRENCH
10	1	30-PU000000	PUMP SHIPPING CRATE
10.1	2	30-PU0000EB	PUMP - EBARA 100DLMFU615 - 20hp
10.2	2	32-AC0000EB	LIFTING SLING ASSEMBLY - 316SS - EBARA PUMPS - 17ft TOTAL LENGTH
10.3	2	32-CGB000SS	CORD GRIP - SS - 1.00in THRU 1.240in
10.4	1	32-PL000000	LIFTING RING - PUMP
11	54.0 ft	40-PP1H00S4	PIPE - 304SS SCH40 - 1.5in DIA (4 @ 13.5ft)
12	2	41-VB000BAS	VALVE BOX - BASE
13	2	41-VB000LID	VALVE BOX - LID
14	2	41-VB000TOP	VALVE BOX - TOP
15	2	42-SF0600D0	CHECK VALVE - SWING FLEX - 6in
16	2	45-FF060360	SPOOL - DI - 6in DIA x 36in - FLGxPE
17	2	45-FF060540	SPOOL - DI - 6in DIA x 54in - FLGxPE
18	2	46-EL0690DI	ELBOW - DI - 6in x 90deg - FLGxFLG
19	6	49-GS060000	GASKET - FLANGE - 6in
20	1	50-AC000000	WELL SHIPPING CRATE
20.1	4	12-GS000001	BARREL - GASKET
20.2	1	13-KY000000	HATCH KEY
20.3	4	18-AC00CH00	CABLE HANGER ASSEMBLY
20.4	4	18-HD040000	LIFTING CLUTCH - 4 TON
20.5	1	51-AC00NSTB	NEVER SIEZE - TUBE
20.6	101.5 ft	51-SE0101SL	JOINT SEALANT - 1in - CONSEAL CS-202
20.7	91 ft	51-TC060000	JOINT WRAP - 6in - TAPECOAT
20.8	4	80-FS20MSNL	FLOAT - 20m - MS1 - NOLTA
21	2	59-KB1206DI	KOR-N-SEAL - 12in CORE x 6in DIPS PIPE
22	2	59-KB1208DI	KOR-N-SEAL - 12in CORE x 8in DIPS PIPE
23	1	59-KB1612DI	KOR-N-SEAL - 16in CORE x 12in DIPS PIPE
24	12.0 ft	70-PP0600DR	PIPE - PVC SDR35 - 6in DIA

NOTE: TOP SLAB AND HATCH ARE H-20 OCCASIONAL TRAFFIC RATED



SECTION A-A
SCALE 1 / 24



FRONT VIEW
SCALE 1 / 24

COLOR LEGEND

- MAJOR CONCRETE COMPONENTS WITH PRE-INSTALLED COMPONENTS.
- COMPONENTS PRE-ASSEMBLED TO THE EXTENT POSSIBLE AND WILL NEED TO BE FIELD INSTALLED.

NOTE: PRE-ASSEMBLY IS DONE AT ROMTEC UTILITIES' DISCRETION AND MAY CHANGE AT THE TIME OF PRODUCTION.



© 2019 ROMTEC INC. ALL RIGHTS RESERVED. THESE PLANS AND DRAWINGS MAY NOT BE REPRODUCED, ADAPTED, OR FURTHER DISTRIBUTED, AND NO COMPONENTS MAY BE CONSTRUCTED FROM THESE PLANS, WITHOUT WRITTEN PERMISSION OF ROMTEC, INC.

NOTE: CONTRACTOR TO SEAL ALL CONCRETE JOINTS AND PIPE PENETRATIONS WITH NON-SHRINK GROUT

NOTE: ALL DIMENSIONS AND ELEVATIONS SHOWN ARE NOMINAL DIMENSIONS. IT IS THE RESPONSIBILITY OF THE ON-SITE CONTRACTOR OR ROMTEC UTILITIES CUSTOMER (NOT ROMTEC UTILITIES) TO VERIFY THE ACCURACY OF ANY CRITICAL DIMENSIONS OR ELEVATIONS PRIOR TO SETTING OR INSTALLING ANY EQUIPMENT.

REV	DATE	DESCRIPTION	BY	AD
3	4/18/2019	REVISED DISCHARGE ELEVATION PER COMMENTS	KB	KB
1.1	4-2-19	CORRECTED KOR-N-SEAL BOOT DESCRIPTIONS	KB	KB
1	3-14-19	REDESIGN FOR 500GPM, NEW ELEVATIONS	KB	KB

VERIFY SCALE: 0 1" (AS SHOWN) 1" (AS NOTED) (SCALE ACCORDING TO DRAWING TITLE)

DATE: 3-14-19

DRN: KEVIN BOGAN
CKD: KEVIN BOGAN

ROMTEC UTILITIES
18240 NORTH BANK ROAD
ROSEBURG, OREGON 97470
PHONE: (541) 496-9678
WWW.ROMTECUTILITIES.COM