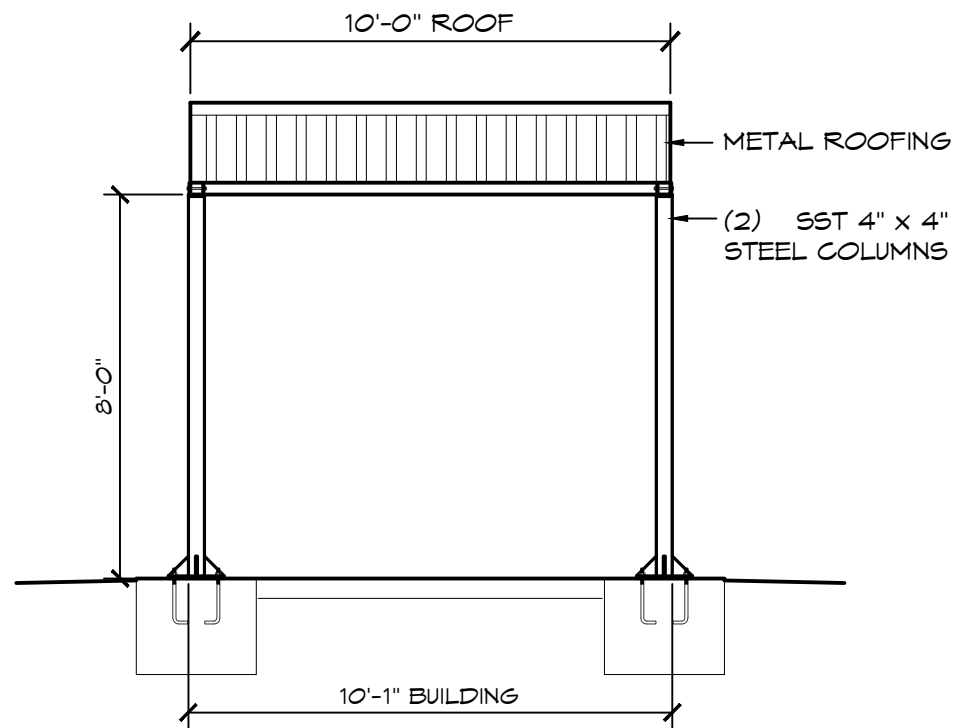
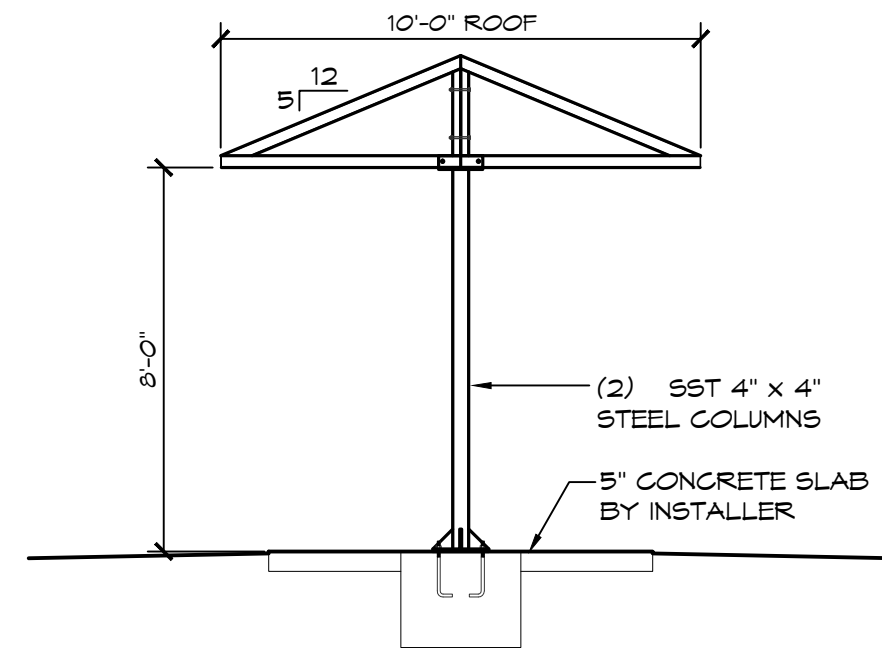
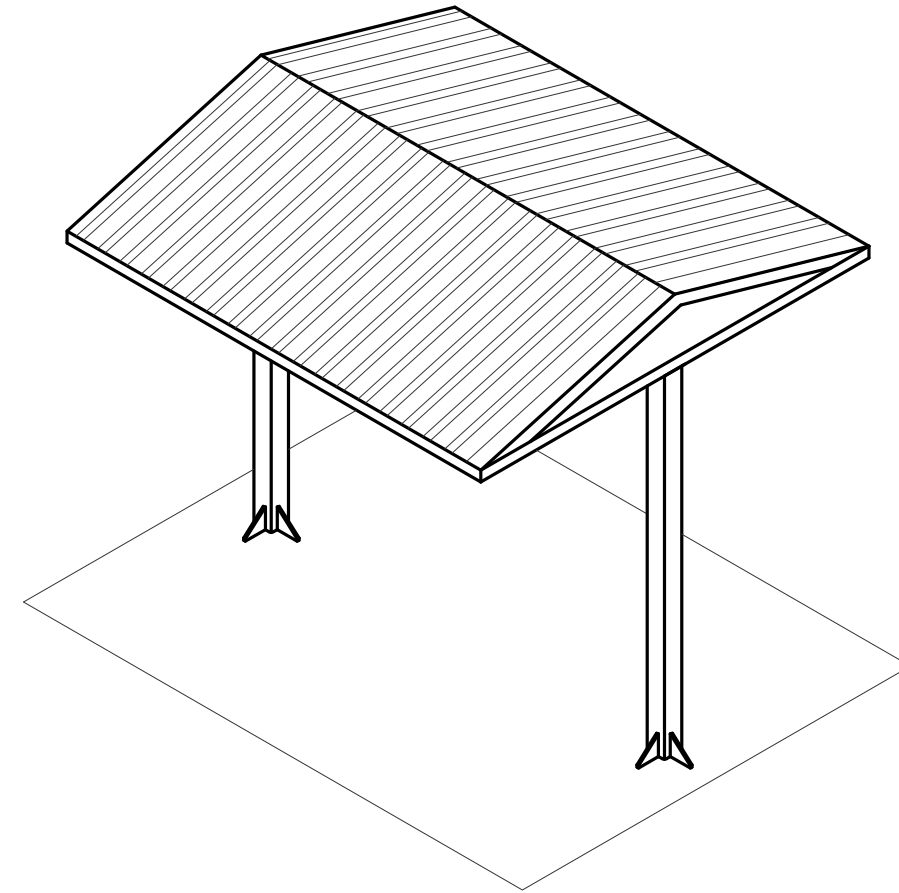


1 FLOOR PLAN
SCALE: 1/4" = 1'-0"



C ELEVATION VIEW
SCALE: 1/4" = 1'-0"



D ELEVATION VIEW
SCALE: 1/4" = 1'-0"

ROMTEC

18240 NORTH BANK ROAD - ROSEBURG, OR 97470
(541) 496-3541 FAX (541) 496-0803

PRELIMINARY

© 2018 ROMTEC, INC. ALL RIGHTS RESERVED. THESE PLANS AND DRAWINGS MAY NOT BE REPRODUCED, ADAPTED OR FURTHER DISTRIBUTED, AND NO BUILDINGS MAY BE CONSTRUCTED FROM THESE PLANS, WITHOUT THE WRITTEN PERMISSION OF ROMTEC, INC.

PROJECT: 3151 TWO POST STEEL SINGLE SHELTER

CLIENT PROJECT LOCATION

SHEET TITLE: FLOOR PLAN AND ELEVATIONS

PROJECT#:

MODEL#:

3151

DATE:

11/01/18

REVISIONS

REV. DATE BY

DRAWN BY:

TH

SHEET NO.

1