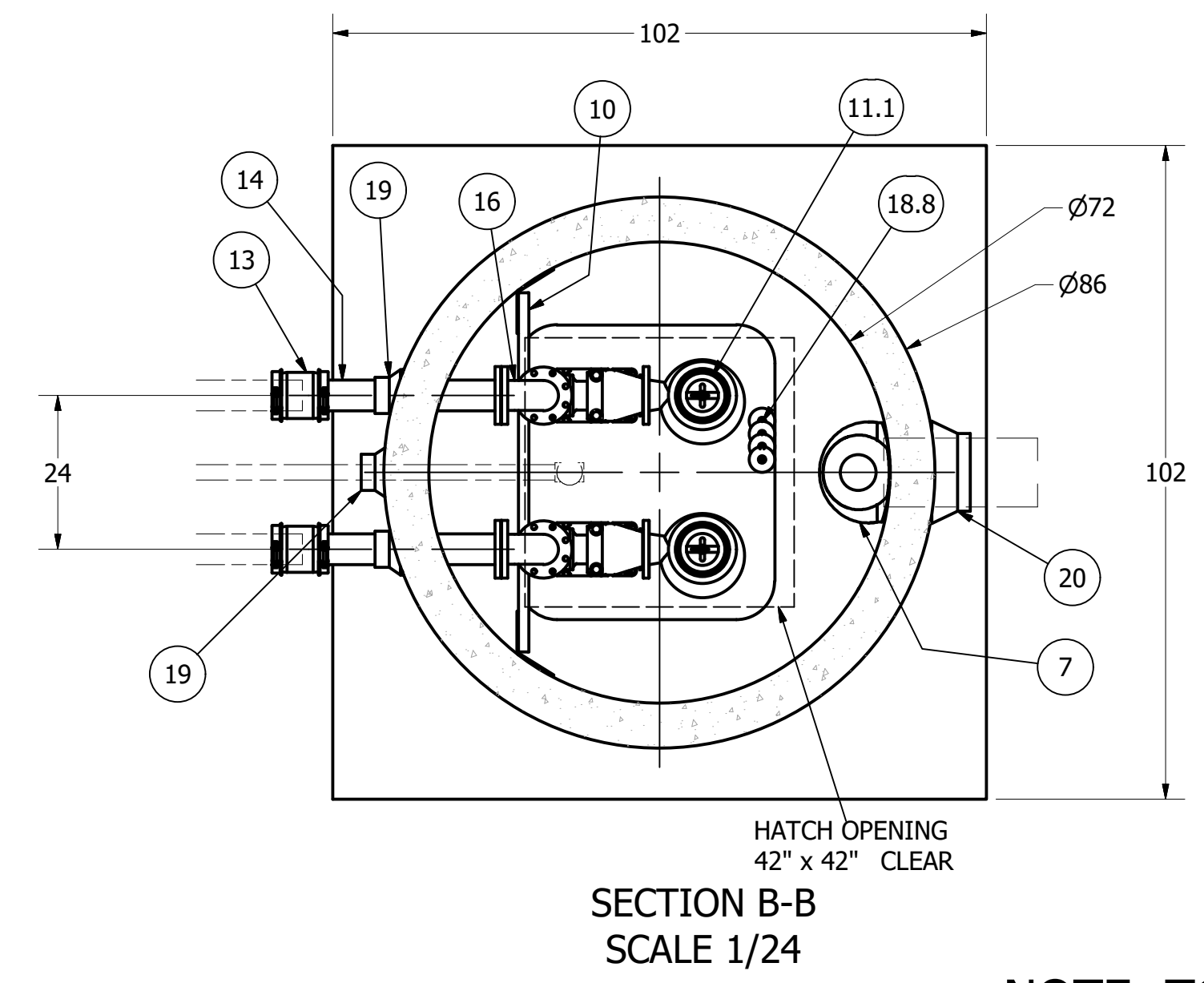
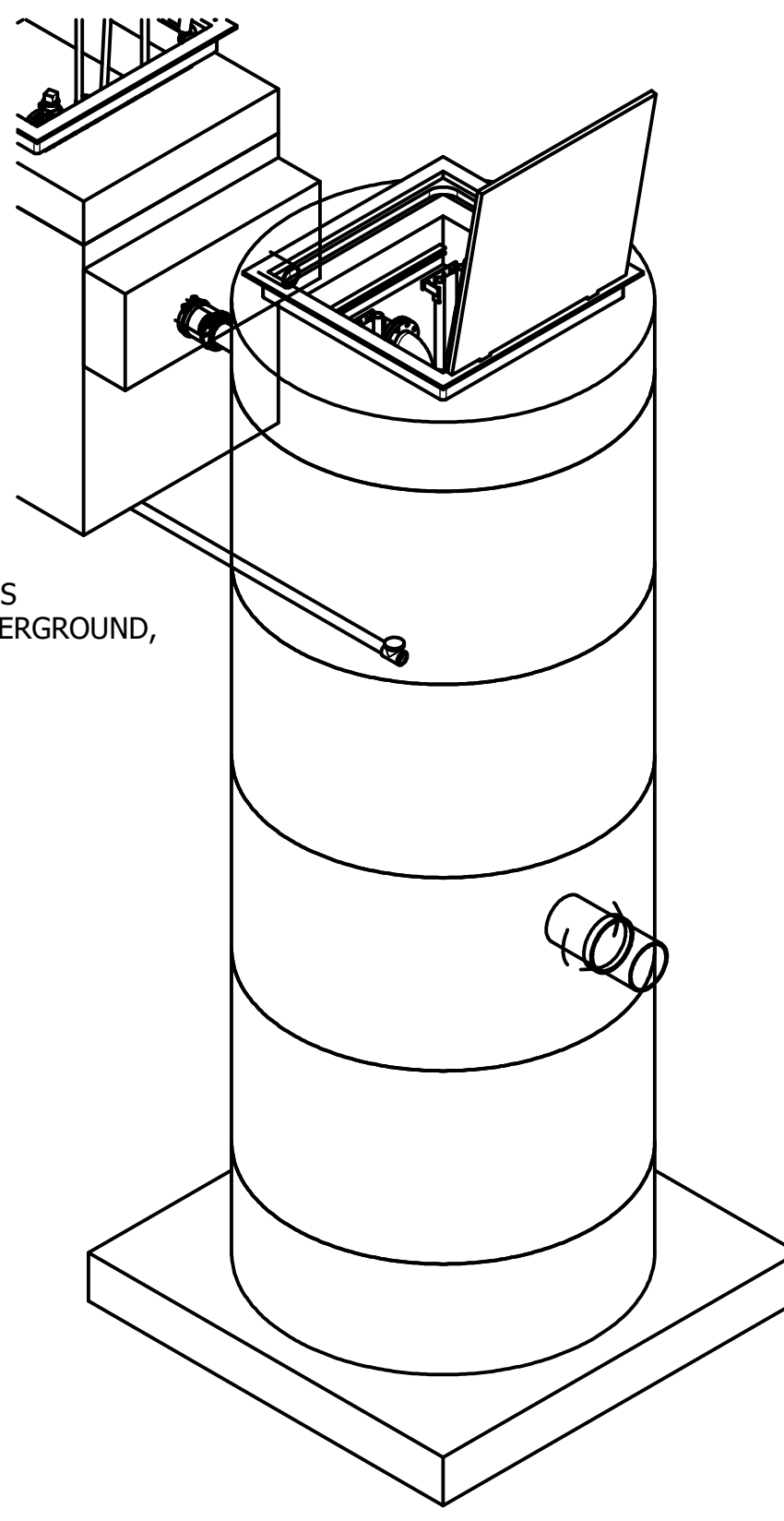


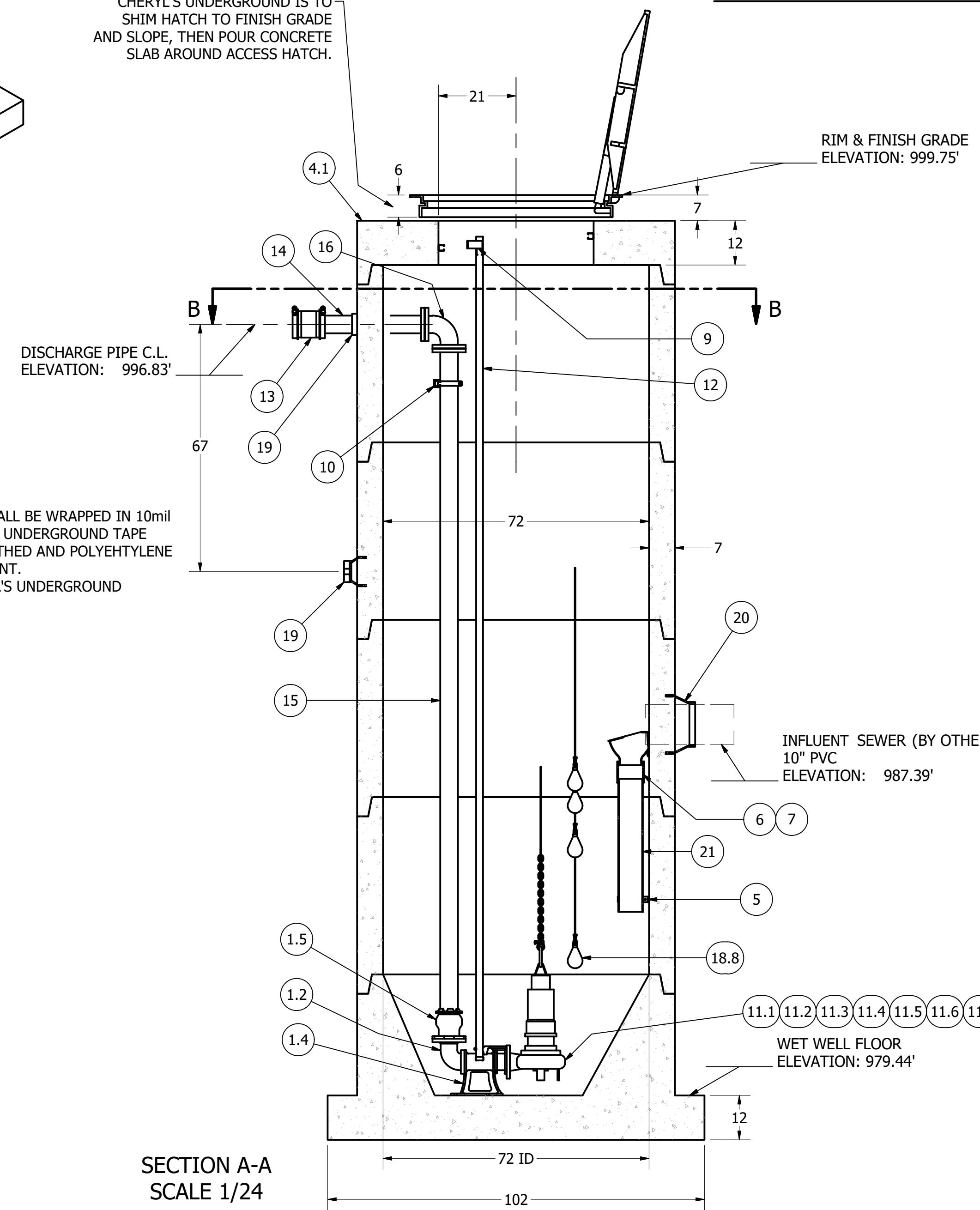
THE DISCHARGE MANHOLE IS SUPPLIED BY CHERYL'S UNDERGROUND, NOT ROMTEC UTILITIES.



SENSOR AND ELEVATION TABLE		
LEVEL ELEVATION	DISTANCE BETWEEN POINTS	SET POINT DESCRIPTION
987.39		INVERT IN
N/A		BACK UP PUMPS START
	N/A	SENSOR SPACING
N/A		BACK UP PUMPS STOP
	N/A	SENSOR SPACING
N/A		BACK UP HL ALARM
986.17		HIGH LEVEL ALARM
	0.50	SENSOR SPACING
985.67		LAG PUMP START
	1.00	SENSOR SPACING
984.67		LEAD PUMP START
	2.50	SENSOR SPACING
982.17		PUMP STOP
	2.73	DISTANCE TO FLOOR
979.44		FLOOR ELEVATION

NOTE: TOP SLAB AND HATCH ARE FULL TRAFFIC RATED

CHERYL'S UNDERGROUND IS TO SHIM HATCH TO FINISH GRADE AND SLOPE, THEN POUR CONCRETE SLAB AROUND ACCESS HATCH.



NOTE:
CONDUIT TO CONTROL PANEL (BY OTHERS)
MINIMUM:
(2) FOR POWER
(1) FOR LEVEL SENSING

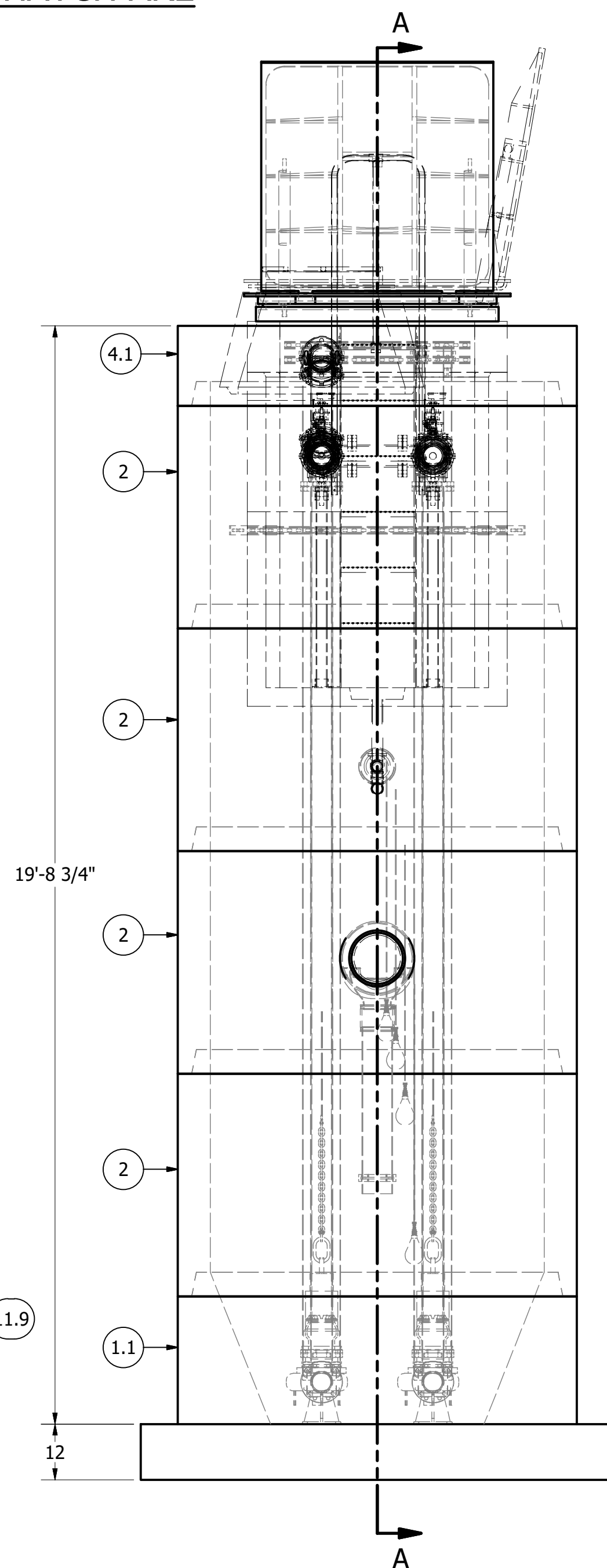
6\"/>

PIPING SHALL BE WRAPPED IN 10mil THICK PVC UNDERGROUND TAPE AND SHEATHED AND POLYETHYLENE ENCASUREMENT, BY CHERYL'S UNDERGROUND

ALL MATERIALS SHOWN ON THIS SHEET WILL BE SUPPLIED BY ROMTEC UTILITIES AND DELIVERED TO THE SITE AFTER THE HOLE HAS BEEN EXCAVATED AND SHORED. THE CONTRACTOR SHALL SUPPLY A CRANE OF SUFFICIENT SIZE TO LOWER ALL THE CONCRETE PIECES INTO THE HOLE SAFELY. THE CONTRACTOR SHALL INSTALL THE WET WELL (AND VALVE VAULT AND METERING VAULT IF APPLICABLE). ROMTEC UTILITIES WILL PROVIDE A REPRESENTATIVE FOR TECHNICAL ASSISTANCE ON THE DAY OF INSTALLATION TO ANSWER ANY QUESTIONS THAT MAY ARISE. THE CONTRACTOR IS RESPONSIBLE FOR ALL PLUMBING AND ELECTRICAL CONNECTIONS AND INSTALLATION. ITEMS NOTED AS "BY OTHERS" WILL BE PROVIDED AND INSTALLED BY THE CONTRACTOR. ROMTEC UTILITIES WILL NOT INSTALL ANY OF THE COMPONENTS SHOWN ON THIS PAGE.

© 2018 ROMTEC INC. ALL RIGHTS RESERVED. THESE PLANS AND DRAWINGS MAY NOT BE REPRODUCED, ADAPTED, OR FURTHER DISTRIBUTED, AND NO COMPONENTS MAY BE CONSTRUCTED FROM THESE PLANS, WITHOUT WRITTEN PERMISSION OF ROMTEC, INC.

SECTION A-A
SCALE 1/24



CHERYL'S UNDERGROUND IS TO FIELD CORE A HOLE FOR THE VENT PIPE TO COME OUT THE SIDE OF THE WET WELL AT THE APPROPRIATE ORIENTATION. THE VENT PIPING IS NOT SUPPLIED BY ROMTEC UTILITIES.

FOR DESIGN REVIEW

NOTE: CONTRACTOR TO SEAL ALL CONCRETE JOINTS AND PIPE PENETRATIONS WITH NON-SHRINK GROUT

NOTE: ALL DIMENSIONS AND ELEVATIONS SHOWN ARE NOMINAL DIMENSIONS. IT IS THE RESPONSIBILITY OF THE ON-SITE CONTRACTOR OR ROMTEC UTILITIES CUSTOMER (NOT ROMTEC UTILITIES) TO VERIFY THE ACCURACY OF ANY CRITICAL DIMENSIONS OR ELEVATIONS PRIOR TO SETTING OR INSTALLING ANY EQUIPMENT.

PARTS LIST			
ITEM	QTY	STOCK NUMBER	DESCRIPTION
1	1	10-CB000000	BASE SLAB ASSEMBLY
1.1	1	10-CB068HSQ	BASE - WW - 6ft DIA - RU DESIGN - SQUARE
1.2	2	31-EL0404EB	DISCHARGE ELBOW - 4in x 4in - EBARA
1.3	2	31-HW00AKS6	ANCHOR KIT - 316SS - DISCHARGE ELBOW
1.4	2	31-QD04LLEB	QDC - 4in - LL100 - EBARA
1.5	2	44-AD04RMAL	FLANGE ADAPTER - 4in - ALPHA
2	4	12-CR064800	BARREL - 6ft DIA x 4ft H
3	1	13-HH4848D0	HATCH - DI - 48in x 48in
4	1	14-CT000000	TOP SLAB ASSEMBLY
4.1	1	14-CT06HD00	TOP SLAB - 6ft DIA - H20
4.2	6,7	50-US000056	UNISTRUT - 316SS - SLOTTED
5	1	15-BR065535	BRACKET - 316SS - 6in PIPE
6	1	15-CP060000	COUPLING - FERNCO - 6in
7	1	15-DB410668	DROP BOWL - 4in thru 10in INLET x 6in OUTLET - 6ft - 8ft WET WELL
8	2	17-AC38000B	BOLT KIT - UPPER GUIDE BAR BRACKET
9	2	17-UG1HS4EB	BRACKET - 304SS - UPPER GUIDE - 1.5in
10	1	18-BR000000	BRACKET ASSEMBLY - 316SS - DISCHARGE SUPPORT
10.1	2	18-AC00000B	BOLT KIT - 316SS - WALL BRACKET
10.2	2	18-AC00001B	WALL BRACKET - DISCHARGE SUPPORT
10.3	2	18-AC010HSB	BOLT KIT - DISCHARGE CLAMP - BOLT, WASHER, LOCK NUT
10.4	2	18-AC04CLS6	DISCHARGE CLAMP - 316SS - 4in - STRUTMOUNT
10.5	5 ft	50-US000056	UNISTRUT - 316SS - SLOTTED
11	1	30-PU000000	PUMP SHIPPING CRATE
11.1	2	30-PU0000EB	PUMP - EBARA 100DLMKFMU63.74 - 5HP
11.2	2	30-PUCABL05	PUMP OPTION: LONG CABLES - 75ft - 5HP
11.3	2	30-PUTRIM00	PUMP OPTION: IMPELLER TRIM - .5HP THRU 5HP
11.4	2	32-AC580LKN	LINK - 316SS - .625in - OBLONG - 2800# WLL
11.5	2	32-BS716055	BOW SHACKLE - 316SS - 7-16in
11.6	2	32-CGA00055	CORD GRIP - .750in - .990 - SS
11.7	1	32-PL000000	LIFTING RING - PUMP
11.8	4 ft	32-PL380056	CHAIN - 316SS - 3-8in S5
11.9	2	32-PLLSANYL	LIFTING SLING ASSEMBLY - COATED CABLE
12	74 ft	40-PP1H0054	PIPE - 304SS SCH40 - 1.5in DIA
13	2	44-CP040AD0	COUPLING - 4in - ALPHA
14	2	45-FP040300	SPOOL - DI - 4in DIA x 30in - FLGxPE
15	2	45-FP041800	SPOOL - DI - 4in DIA x 180in - FLGxPE
16	2	46-EL0490DI	ELBOW - DI - 4in x 90deg - FLGxFLG
17	4	49-GS040000	GASKET - FLANGE - 4in
18	1	50-AC000000	WELL SHIPPING CRATE
18.1	5	12-GS000001	BARREL - GASKET
18.3	4	18-AC00CH00	CABLE HANGER ASSEMBLY
18.4	4	18-HD040000	LIFTING CLUTCH - 4 TON
18.5	1	51-AC00NSTB	NEVER SIEZE - TUBE
18.6	115	51-BT060000	JOINT WRAP - 6in - BOA TAPE
18.7	145	51-SE01015L	JOINT SEALANT - 1in - CONSEAL CS-202
18.8	4	80-FS20MSNL	FLOAT - 20m - MS1 - NOLTA
19	3	59-KB080400	KOR-N-SEAL - 8in CORE - 4in thru 1.5in PIPE
20	1	59-KB161000	KOR-N-SEAL - 16in CORE x 10in PIPE
21	3.0	70-PP0600DR	PIPE - PVC SDR35 - 6in DIA

REVISION HISTORY

REV	DATE	DESCRIPTION
1	9-4-18	REVISOR PER 8-29-18 COMMENTS

DATE: 8-28-18

VERIFY SCALE

0 1"

DSN: AD

DRN: AD

CKD: AD

DATE: 8-28-18

CARB (Ca Air Resource Board)

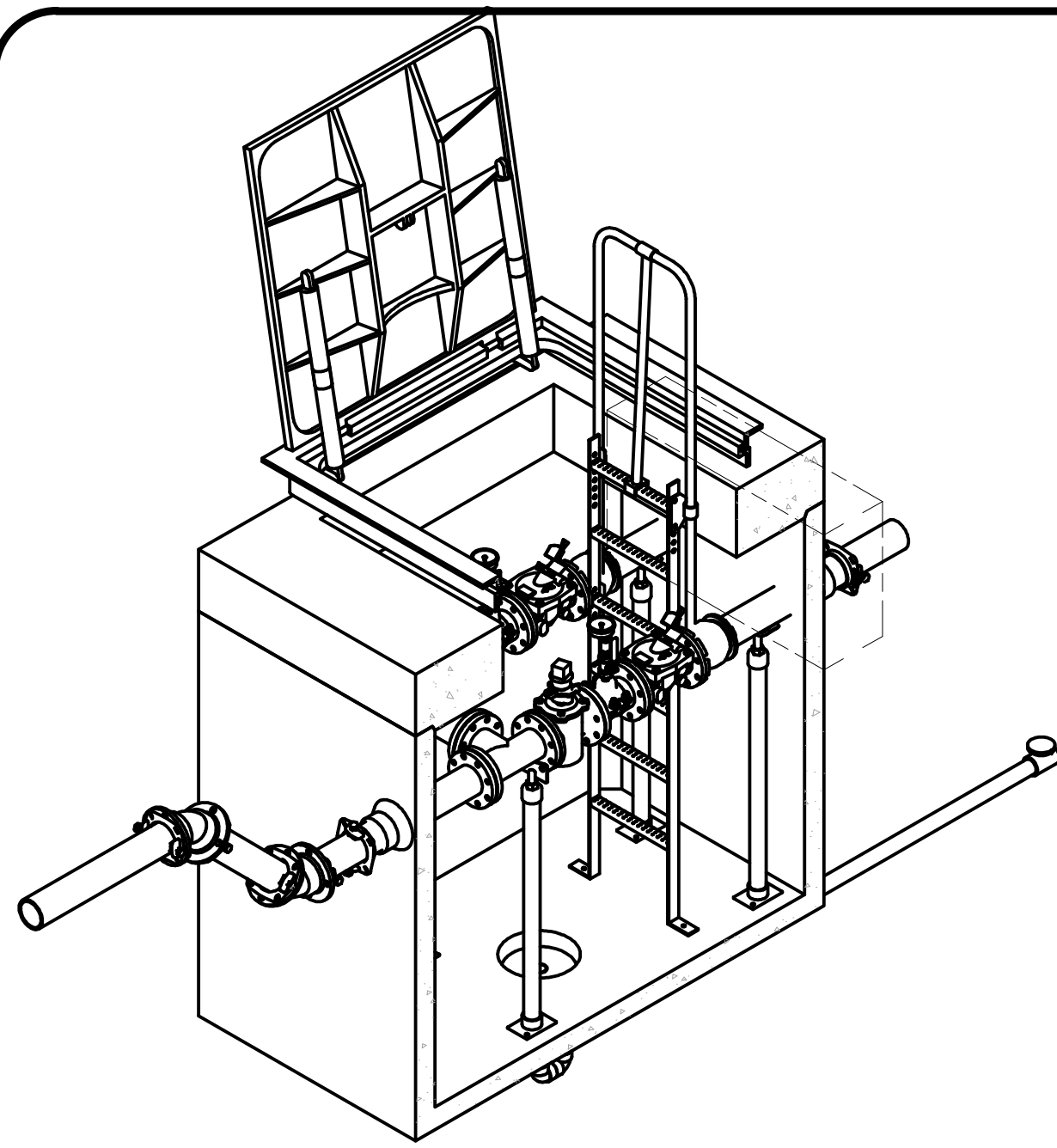
Riverside, CA

WET WELL ASSEMBLY

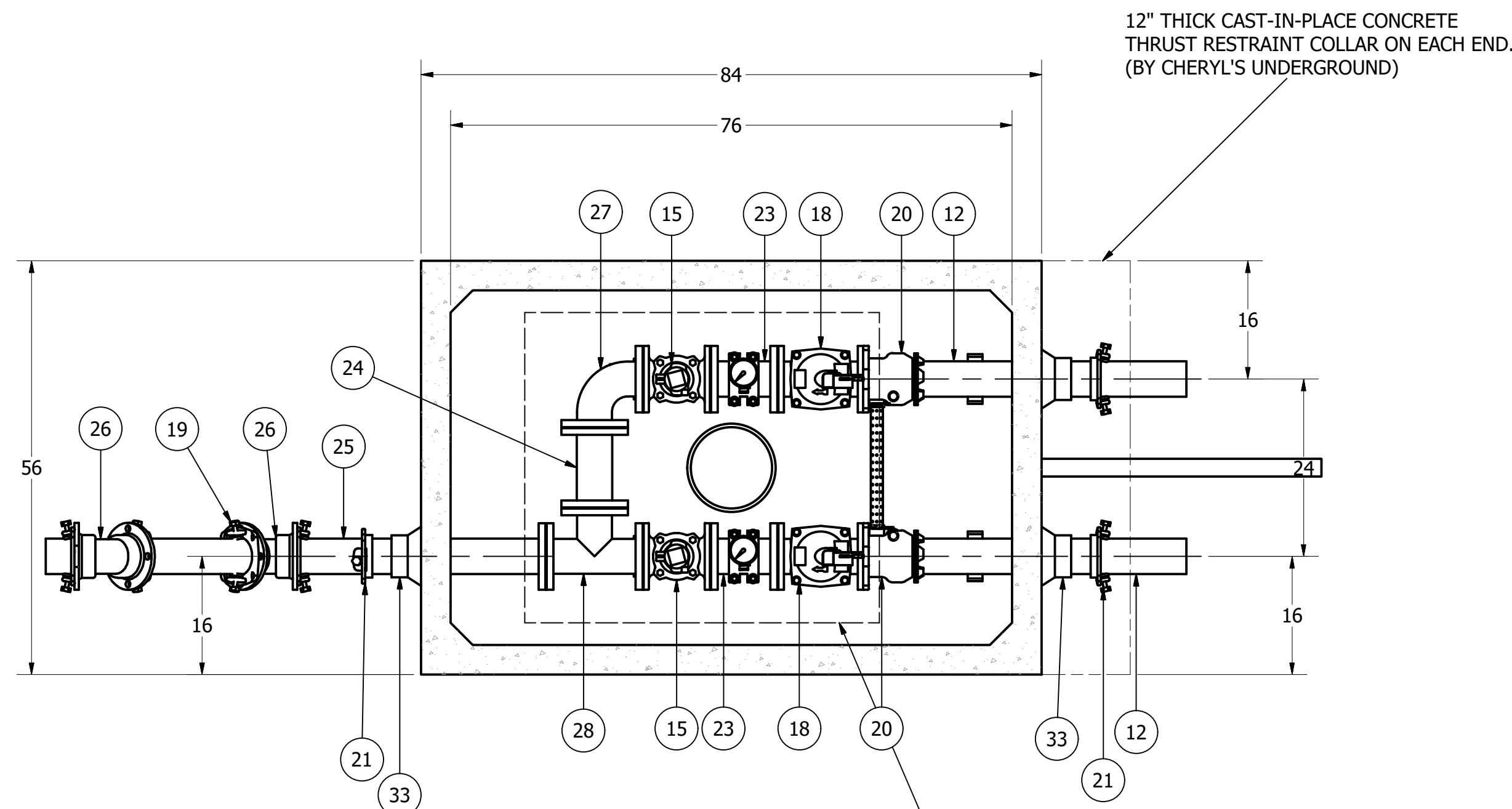
COMPONENT DRAWING

MECHANICAL SHEET

3 OF 5



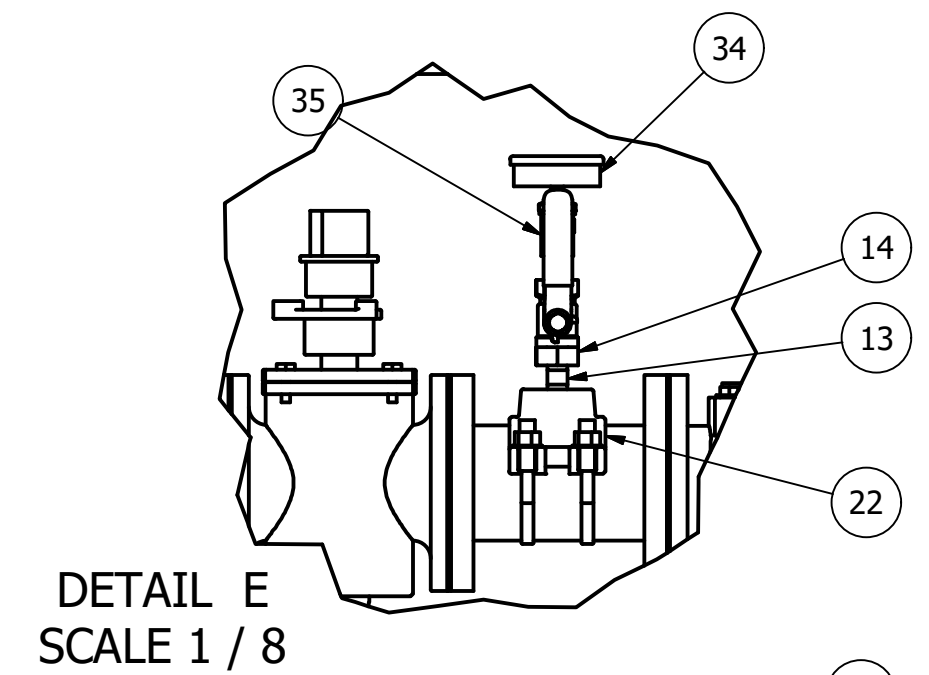
**577 VALVE VAULT
4" PIPING AND VALVES
LADDER**



**SECTION D-D
SCALE 1 / 16**
HATCH OPENING
42" x 48" CLEAR

**NOTE: TOP SLAB AND HATCH ARE
FULL TRAFFIC RATED**

12" THICK CAST-IN-PLACE CONCRETE
THRUST RESTRAINT COLLAR ON EACH END.
(BY CHERYL'S UNDERGROUND)



**DETAIL E
SCALE 1 / 8**

RIM & FINISHED GRADE
ELEVATION: 1000.00'
CHERYL'S UNDERGROUND IS TO
SHIM HATCH TO FINISH GRADE
AND SLOPE, THEN POUR CONCRETE
SLAB AROUND ACCESS HATCH.

RIM & FINISHED GRADE
ELEVATION: 999.87'

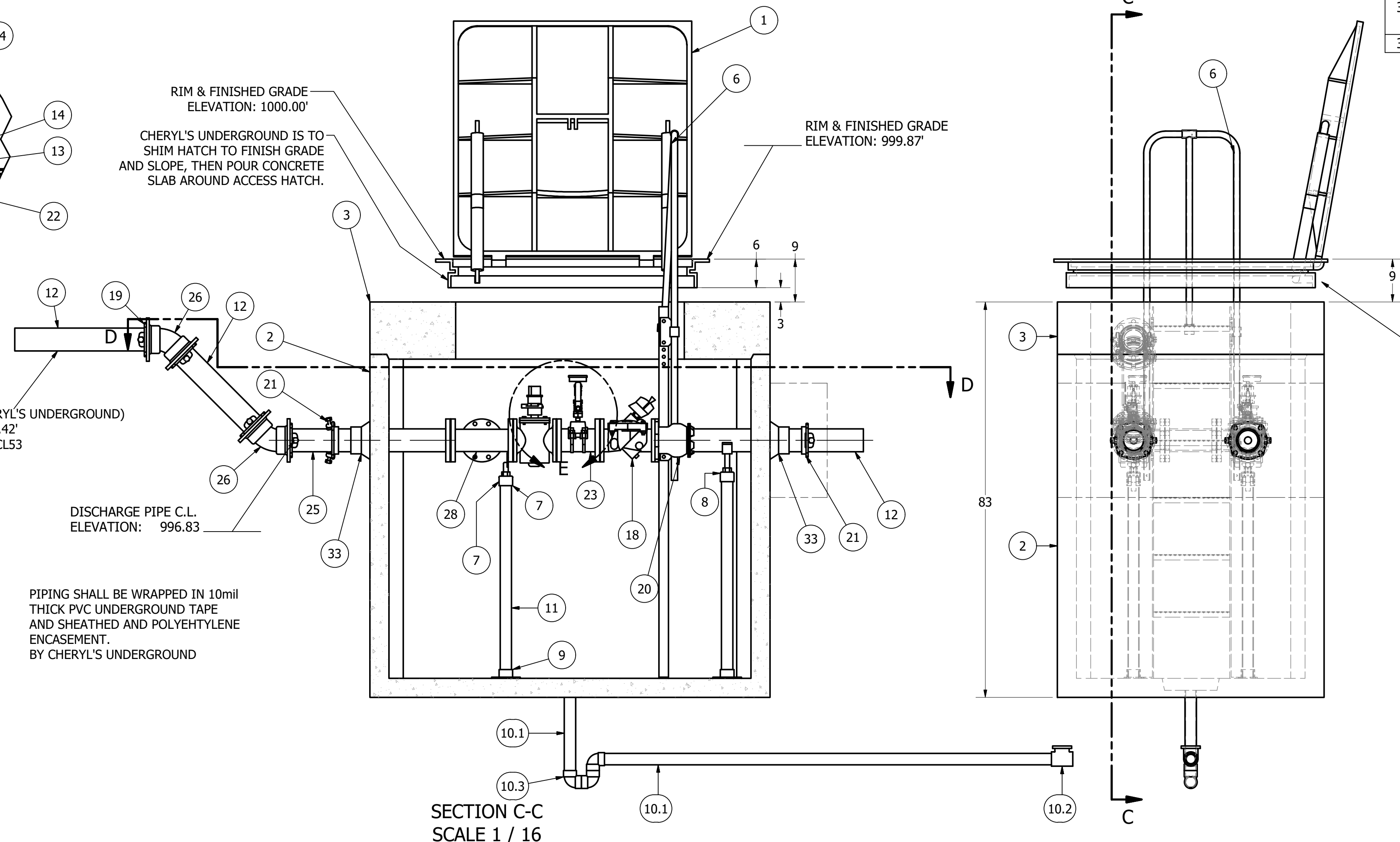
FORCE MAIN (BY CHERYL'S UNDERGROUND)
SIZE: 4" - INVERT 998.42'
TYPE: DUCTILE IRON CL53

DISCHARGE PIPE C.L.
ELEVATION: 996.83

PIPING SHALL BE WRAPPED IN 10mil
THICK PVC UNDERGROUND TAPE
AND SHEATHED AND POLYETHYLENE
ENCASEMENT.
BY CHERYL'S UNDERGROUND

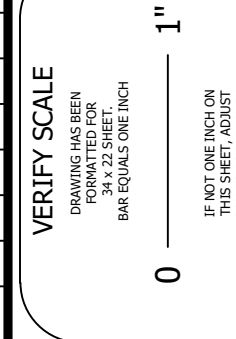
ALL MATERIALS SHOWN ON THIS SHEET WILL BE SUPPLIED BY ROMTEC UTILITIES AND DELIVERED TO THE SITE AFTER THE HOLE HAS BEEN EXCAVATED AND SHORED. THE CONTRACTOR SHALL SUPPLY A CRANE OF SUFFICIENT SIZE TO LOWER ALL THE CONCRETE PIECES INTO THE HOLE SAFELY. THE CONTRACTOR SHALL INSTALL THE WET WELL (AND VALVE VAULT AND METERING VAULT IF APPLICABLE). ROMTEC UTILITIES WILL PROVIDE A REPRESENTATIVE FOR TECHNICAL ASSISTANCE ON THE DAY OF INSTALLATION TO ANSWER ANY QUESTIONS THAT MAY ARISE. THE CONTRACTOR IS RESPONSIBLE FOR ALL PLUMBING AND ELECTRICAL CONNECTIONS AND INSTALLATION. ITEMS NOTED AS "BY OTHERS" WILL BE PROVIDED AND INSTALLED BY THE CONTRACTOR. ROMTEC UTILITIES WILL NOT INSTALL ANY OF THE COMPONENTS SHOWN ON THIS PAGE.

© 2018 ROMTEC INC. ALL RIGHTS RESERVED. THESE PLANS AND DRAWINGS MAY NOT BE REPRODUCED, ADAPTED, OR FURTHER DISTRIBUTED, AND NO COMPONENTS MAY BE CONSTRUCTED FROM THESE PLANS, WITHOUT WRITTEN PERMISSION OF ROMTEC, INC.



**SECTION C-C
SCALE 1 / 16**

PARTS LIST			
ITEM	QTY	STOCK NUMBER	DESCRIPTION
1	1	13-HH4848D0	HATCH - DI - 48in x 48in
2	1	20-CB577000	BASE - WV - 577
3	1	24-CT577HD0	TOP SLAB - WV - 577 - H20
4	2	25-KY0000BR	BRACKET - VALVE KEY
5	1	25-KY0600GW	VALVE KEY - 6ft - GATE WRENCH
6	1	25-LD060600	LADDER - 6ft-6in
7	2	25-PS04S89F	PIPE STAND - 304SS - 4in FLANGE
8	2	25-PS04S92S	PIPE STAND - 304SS - 4in SADDLE
9	4	25-PS0BBASE	PIPE STAND BASE - 304SS - 2in - 2 BOLT
10	1	25-XXXX	DRAIN - VALVE VAULT
10.1	9.8 ft	70-PP0200P4	PIPE - PVC SCH40 - 2in DIA
10.2	1	72-DB020SP8	DRAINBACK VALVE - PVC - 2in
10.3	3	76-EL029040	ELBOW - PVC SCH40 - 2in x 90deg - SLIP
11	14ft	40-PP0200S4	PIPE - 304SS SCH40 - 2in DIA
12	12ft	40-PP0400D0	PIPE - DI - 4in DIA CL52 (2 @ 48in)
13	4	40-TT0H02S4	NIPPLE - 304SS - 0.5in DIA x 2in
14	2	41-BV0H00S6	BALL VALVE - 316SS - 0.5in
15	2	41-PV0400D0	PLUG VALVE - 4in - DIRECT OP NUT
16	1	42-AC0400BF	BACKFLOW ACTUATOR - 4in
17	2	42-MI040000	MECHANICAL INDICATOR - 4in
18	2	42-SF0400D0	CHECK VALVE - SWING FLEX - 4in
19	4	44-AC04ST00	ACCESSORY PACK - 4in - MJ - STARGRIP
20	2	44-AD04RMAL	FLANGE ADAPTER - 4in - ALPHA
21	3	44-RG040STR	RETAINER GLAND - 4in
22	2	44-TS040H00	TAPPING SADDLE - 4.8in x .5in NPT
23	2	45-FF040090	SPOOL - DI - 4in DIA x 9in - FLGxFLG
24	1	45-FF04103Q	SPOOL - DI - 4in DIA x 10.75in - FLGxFLG
25	1	45-FP040360	SPOOL - DI - 4in DIA x 36in - FLGxPE
26	2	46-EL0445M	ELBOW - DI - 4in x 45deg - MJxMJ
27	1	46-EL0490DI	ELBOW - DI - 4in x 90deg - FLGxFLG
28	1	46-TE0404DI	TEE - DI - 4in - FLGxFLG
29	2	48-PL0000HX	PLUG - 304SS - .25in NPT - HEX SOCKET
30	9	49-GS040000	GASKET - FLANGE - 4in
31	24	51-BT060000	JOINT WRAP - 6in - BOA TAPE
32	29	51-SE0101SL	JOINT SEALANT - 1in - CONSEAL CS-202
33	3	59-KB080400	KOR-N-SEAL - 8in CORE - 4in thru 1.5in PIPE
34	2	81-PG3H00QB	PRESSURE GAUGE - 3.5in DIA x .25in MNPT BACK - xxx#
35	2	83-GI0HF00F	DIAPHRAGM SEAL - 0.5in FNPT x 0.25in FNPT



DATE	REVISION	DESCRIPTION	BY	AD
9-4-18	1	REVISOR PER 8-29-18 COMMENTS		

ROMTEC UTILITIES
18240 NORTH BANK ROAD
ROSEBURG, OREGON 97470
PHONE: (541) 496-9678
WWW.ROMTECUTILITIES.COM

CARB (Ca Air Resource Board)
Riverside, CA
VALVE VAULT ASSEMBLY
COMPONENT DRAWING

FOR DESIGN REVIEW

NOTE: CONTRACTOR TO SEAL ALL CONCRETE JOINTS AND PIPE PENETRATIONS WITH NON-SHRINK GROUT

NOTE: ALL DIMENSIONS AND ELEVATIONS SHOWN ARE NOMINAL DIMENSIONS. IT IS THE RESPONSIBILITY OF THE ON-SITE CONTRACTOR OR ROMTEC UTILITIES CUSTOMER (NOT ROMTEC UTILITIES) TO VERIFY THE ACCURACY OF ANY CRITICAL DIMENSIONS OR ELEVATIONS PRIOR TO SETTING OR INSTALLING ANY EQUIPMENT.