

PARTS LIST			
ITEM	QTY	STOCK NUMBER	DESCRIPTION
1	3	25-PS0BBASE	PIPE STAND BASE - 304SS - 2in - 2 BOLT
2	3	25-PS0200CS	PIPE STAND - CLAMP - 2in
3	5.3 ft	40-PP0200S4	PIPE - 304SS SCH40 - 2in DIA
4	2	41-BV02FFCS	BALL VALVE - STEEL - 2in FLG
5	2	41-RV3Q00HL	ROOT VALVE - 0.75in
6	2	42-SC0200CS	CHECK VALVE - SWING CHECK - 2in DIA - STEEL
7	2	43-FI0202SS	BASKET STRAINER - 2in FLGxFLG
8	2	45-FF0211CS	SPOOL - CS SCH40 - 2in DIA x 11in - FLGxFLG - 0.75 TAP
9	1	46-MN0299CS	MANIFOLD - 2in DIA - SCH40 CARBON STEEL
10	9	49-GS020000	GASKET - FLANGE - 2in
11	1	50-SK999999	SKID ASSEMBLY - STEEL
12	2	81-PG4H060L	PRESSURE GAUGE - 4.5in x 60psi

**COLOR LEGEND**

■ MAJOR CONCRETE COMPONENTS WITH PRE-INSTALLED COMPONENTS.

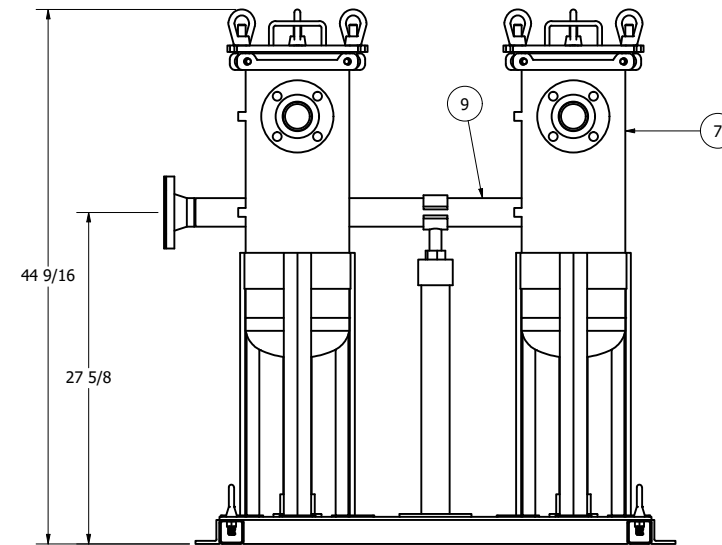
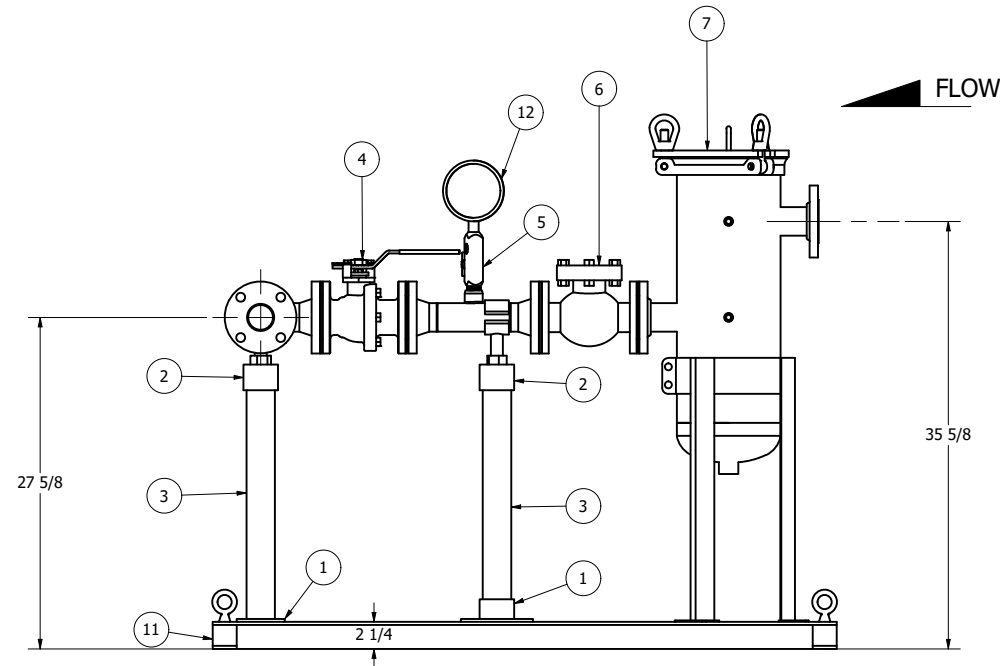
■ COMPONENTS PRE-ASSEMBLED TO THE EXTENT POSSIBLE AND WILL NEED TO BE FIELD INSTALLED.

NOTE: PRE-ASSEMBLY IS DONE AT ROMTEC UTILITIES' DISCRETION AND MAY CHANGE AT THE TIME OF PRODUCTION.

ALL MATERIALS SHOWN ON THIS SHEET WILL BE SUPPLIED BY ROMTEC UTILITIES AND DELIVERED TO THE SITE AFTER THE HOLE HAS BEEN EXCAVATED AND SHORED. THE CONTRACTOR SHALL SUPPLY A CRANE OF SUFFICIENT SIZE TO LOWER ALL THE CONCRETE PIECES INTO THE HOLE SAFELY. THE CONTRACTOR SHALL INSTALL THE WET WELL (AND VALVE VAULT AND METERING VAULT IF APPLICABLE). ROMTEC UTILITIES WILL PROVIDE A REPRESENTATIVE FOR TECHNICAL ASSISTANCE ON THE DAY OF INSTALLATION TO ANSWER ANY QUESTIONS THAT MAY ARISE. THE CONTRACTOR IS RESPONSIBLE FOR ALL PLUMBING AND ELECTRICAL CONNECTIONS AND INSTALLATION. ITEMS NOTED AS "BY OTHERS" WILL BE PROVIDED AND INSTALLED BY THE CONTRACTOR. ROMTEC UTILITIES WILL NOT INSTALL ANY OF THE COMPONENTS SHOWN ON THIS PAGE.



© 2020 ROMTEC INC. ALL RIGHTS RESERVED. THESE PLANS AND DRAWINGS MAY NOT BE REPRODUCED, ADAPTED, OR FURTHER DISTRIBUTED, AND NO COMPONENTS MAY BE CONSTRUCTED FROM THESE PLANS, WITHOUT WRITTEN PERMISSION OF ROMTEC, INC.



VERIFY SCALE  
 DRAWING SIZE: 11x17  
 PLOT SIZE: 11x17  
 PLOT SCALE: 1"=1'

0 1"

DATE: 4-29-20  
 CKD: AD  
 DRN: AD  
 DSN: AD

REV 1 DATE 5-14-20  
 REV 2 DATE 6/11/2020  
 REV 3 DATE 7/7/2020

REVISION HISTORY  
 DESCRIPTION  
 REVISION PER COMMENTS  
 REVISION PER COMMENTS  
 REVISION PER COMMENTS

DUKE PURDUE CHP - HOT SUMP BASIN

WEST LAFAYETTE, IN

VALVE SKID ASSEMBLY  
 COMPONENT DRAWING  
 PUR01-WW-SMP-1035



MECHANICAL SHEET  
 3 OF 5

NOTE: ALL DIMENSIONS AND ELEVATIONS SHOWN ARE NOMINAL DIMENSIONS. IT IS THE RESPONSIBILITY OF THE ON-SITE CONTRACTOR OR ROMTEC UTILITIES CUSTOMER (NOT ROMTEC UTILITIES) TO VERIFY THE ACCURACY OF ANY CRITICAL DIMENSIONS OR ELEVATIONS PRIOR TO SETTING OR INSTALLING ANY EQUIPMENT.