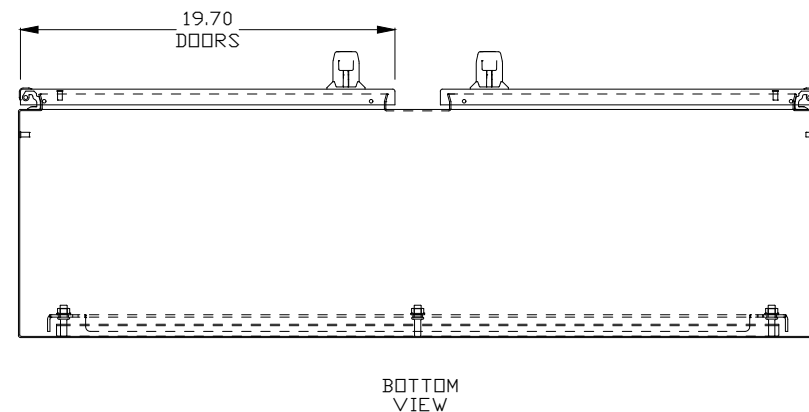
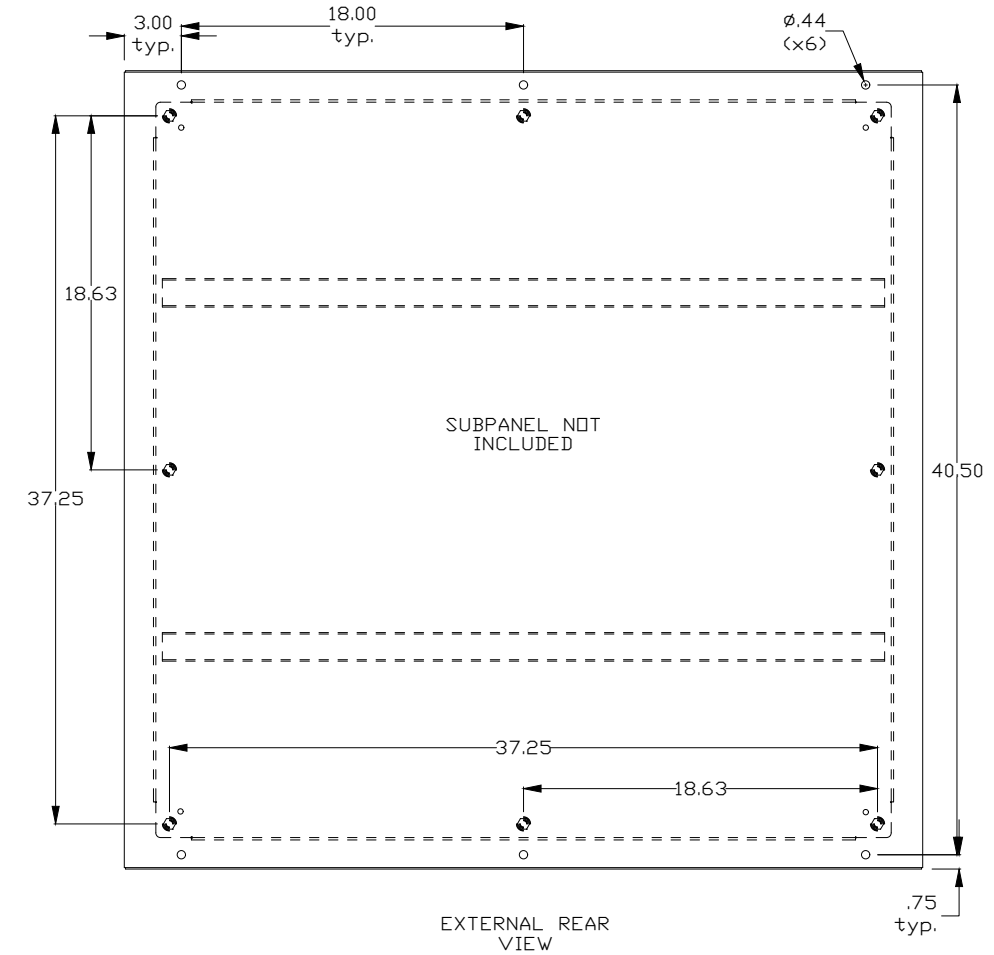
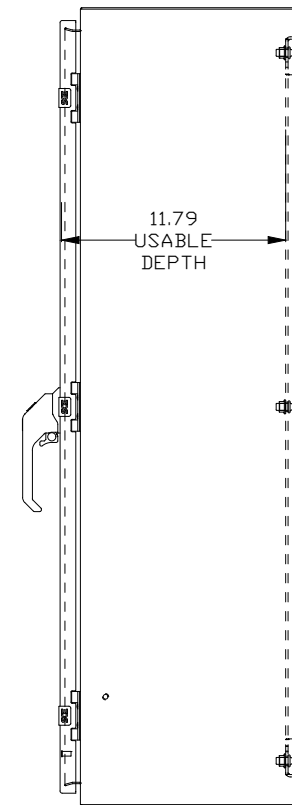
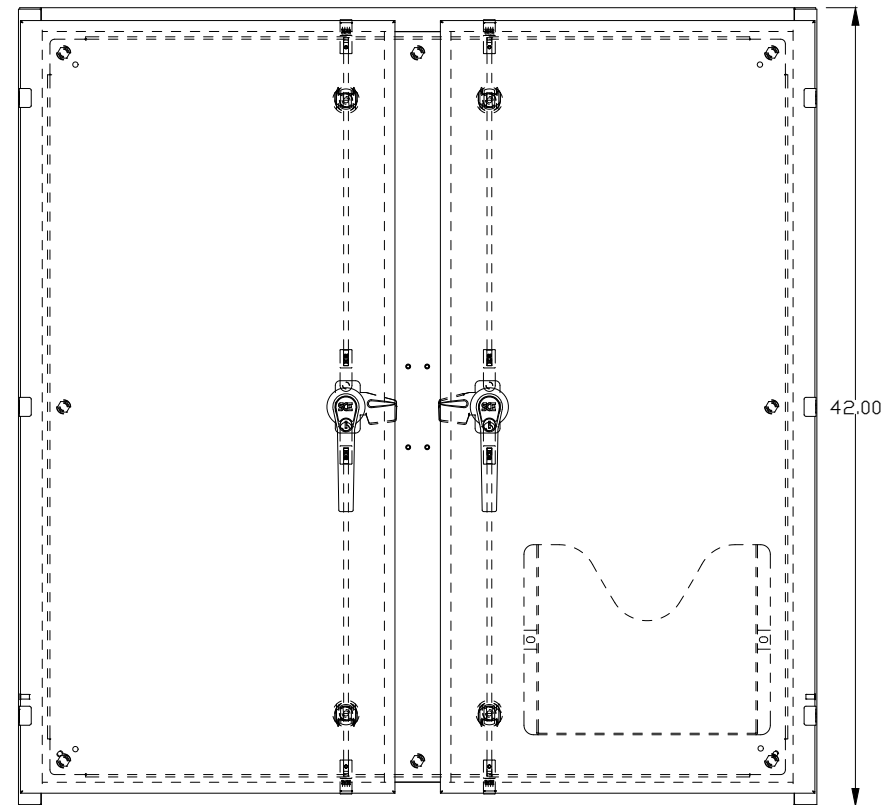
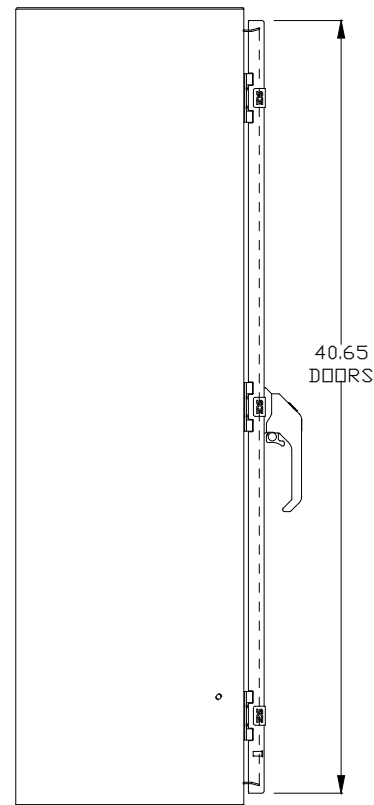
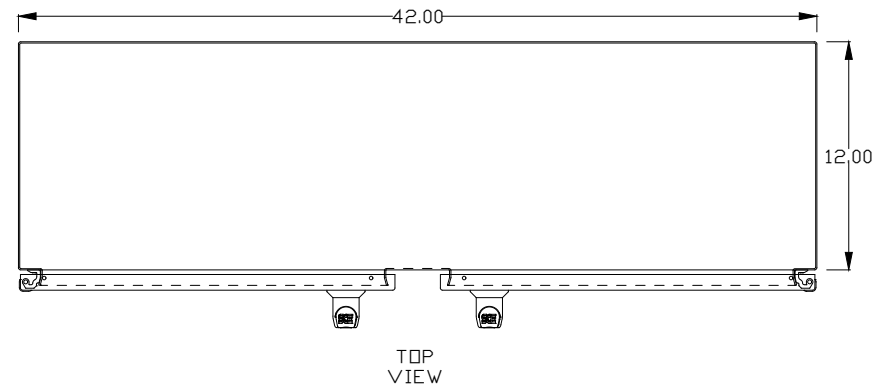


SAGINAW CONTROL & ENGINEERING SCE-42EL4212WFLP

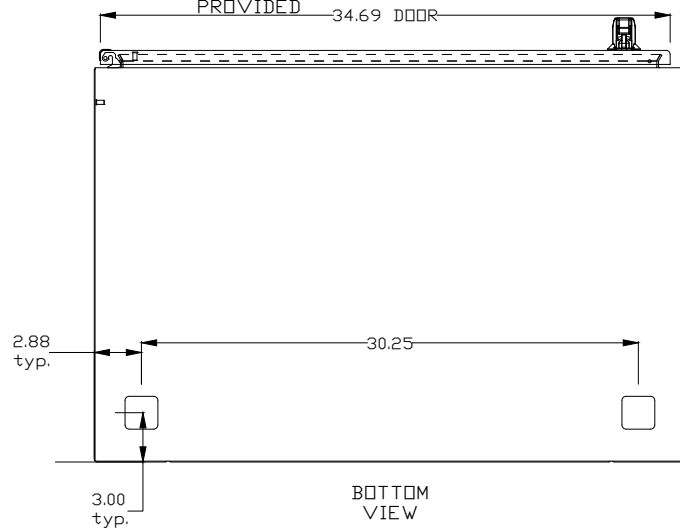


CONTROLS PANEL

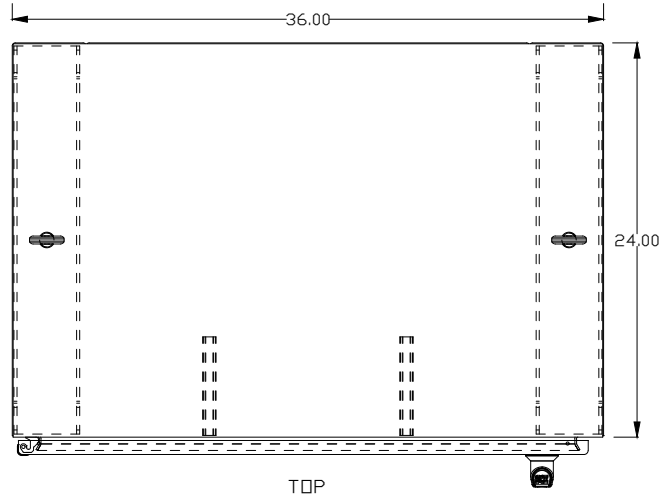
DATA SUBJECT TO CHANGE WITHOUT NOTICE

<p>PROJECT #: DSN: KAS DRN: DRN CKD: CKD</p>		<p>DATE: 3/8/21</p>	
<p>©2018 ROMTEC UTILITIES INC. ALL RIGHTS RESERVED. THESE PLANS AND DRAWINGS MAY NOT BE REPRODUCED, ADAPTED, OR FURTHER DISTRIBUTED, AND NO COMPONENTS MAY BE CONSTRUCTED FROM THESE PLANS, WITHOUT WRITTEN PERMISSION OF ROMTEC UTILITIES, INC.</p>			
<p>ROMTEC UTILITIES</p> <p>18240 NORTH BANK ROAD ROSEBURG, OREGON 97470 PHONE: (941) 496-9678 WWW.ROMTECUTILITIES.COM</p>		<p>BELLA VISTA REGIONAL LIFT STATION SCOTTSDALE, AZ CONTROL PANEL & PUMP CONTROL PANELS</p>	
REV	DATE	DESCRIPTION	REVISION HISTORY
0			
<p>ELECTRICAL SHEET 1 OF 4</p>			

WASH SYSTEM 2" SQUARE DRAIN HOLES IN THE BOTTOM WITH UL APPROVED HOLE SEALS PROVIDED



BOTTOM VIEW

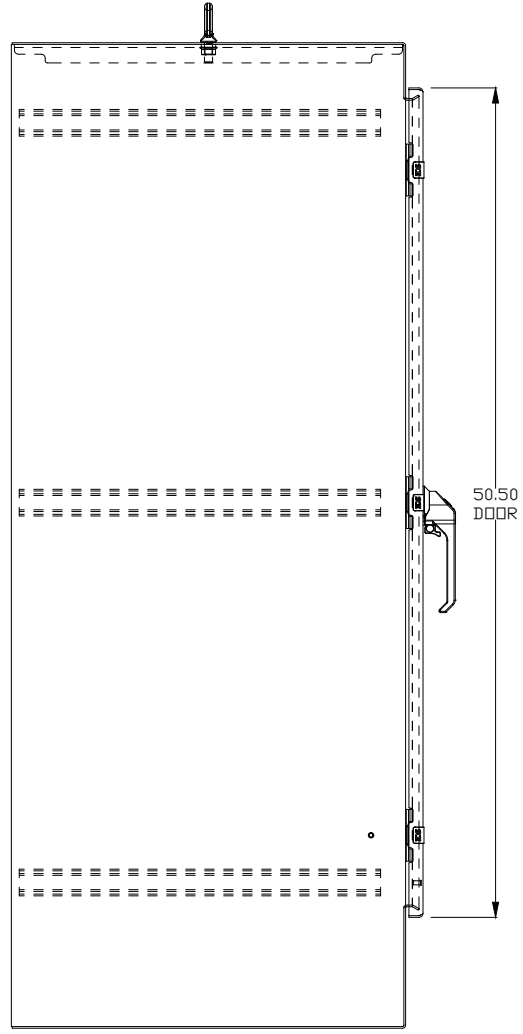


TOP VIEW

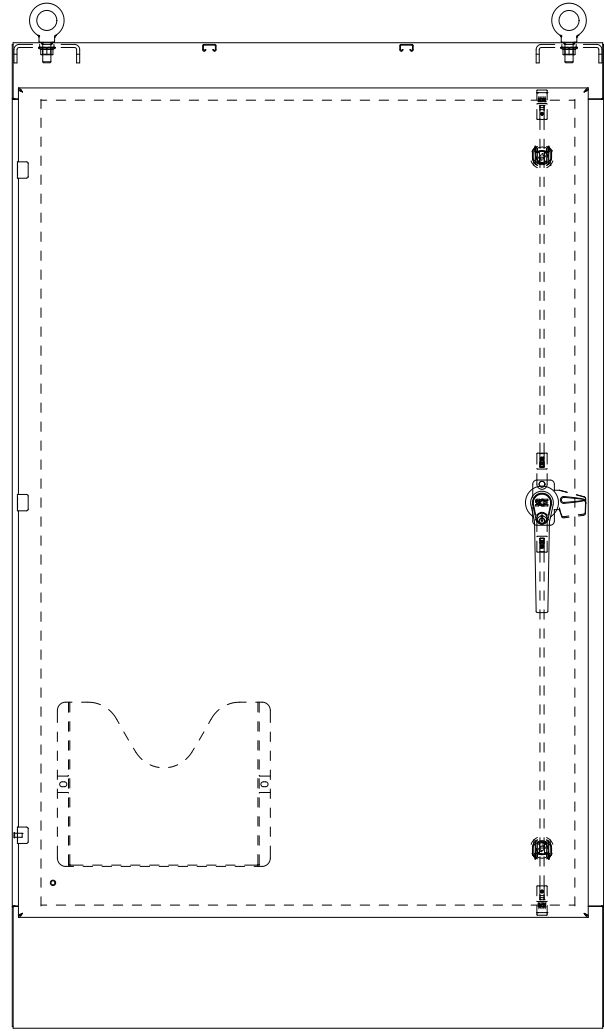
SAGINAW CONTROL & ENGINEERING

SCE-603624FS

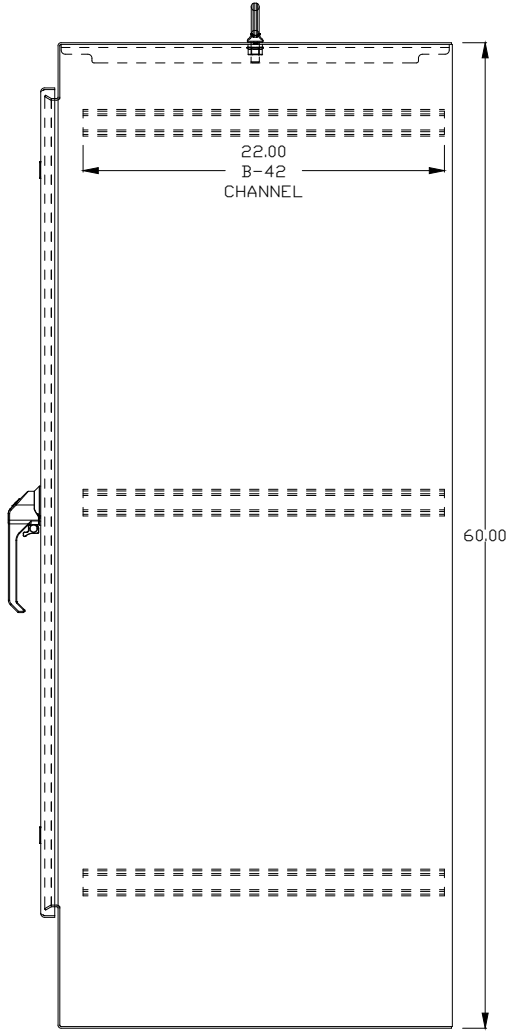
TYP. 2 EA.
VFD PANEL



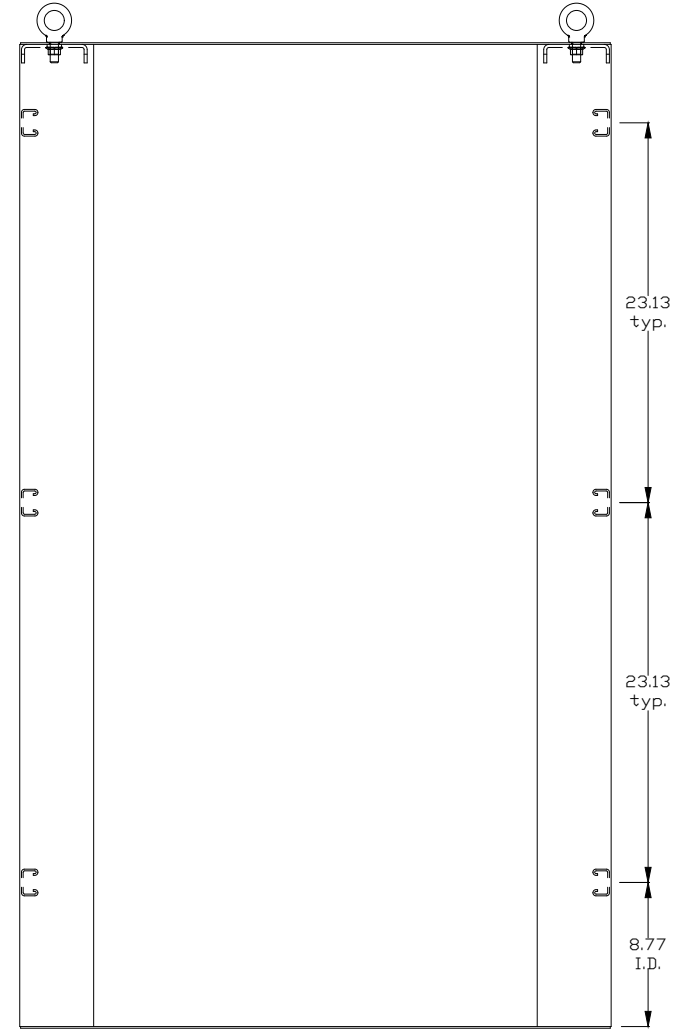
LEFT SIDE VIEW



FRONT VIEW



RIGHT SIDE VIEW



EXTERNAL REAR VIEW

DATA SUBJECT TO CHANGE WITHOUT NOTICE

REV	DATE	DESCRIPTION	BY
0			

PROJECT #:
DSN: KAS
DRN: DRN
CKD: CKD
DATE: 3/8/21

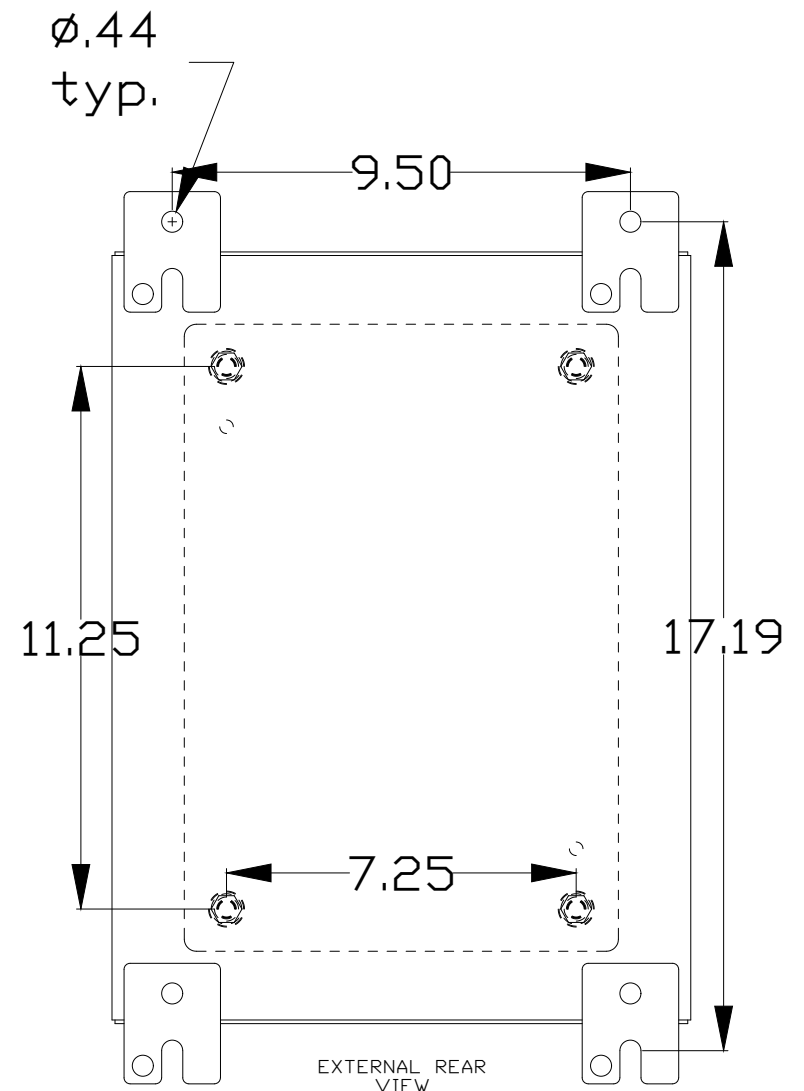
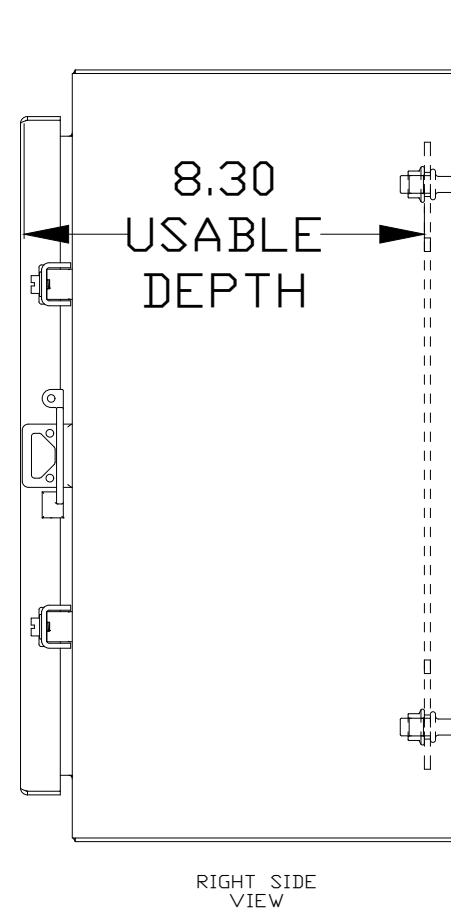
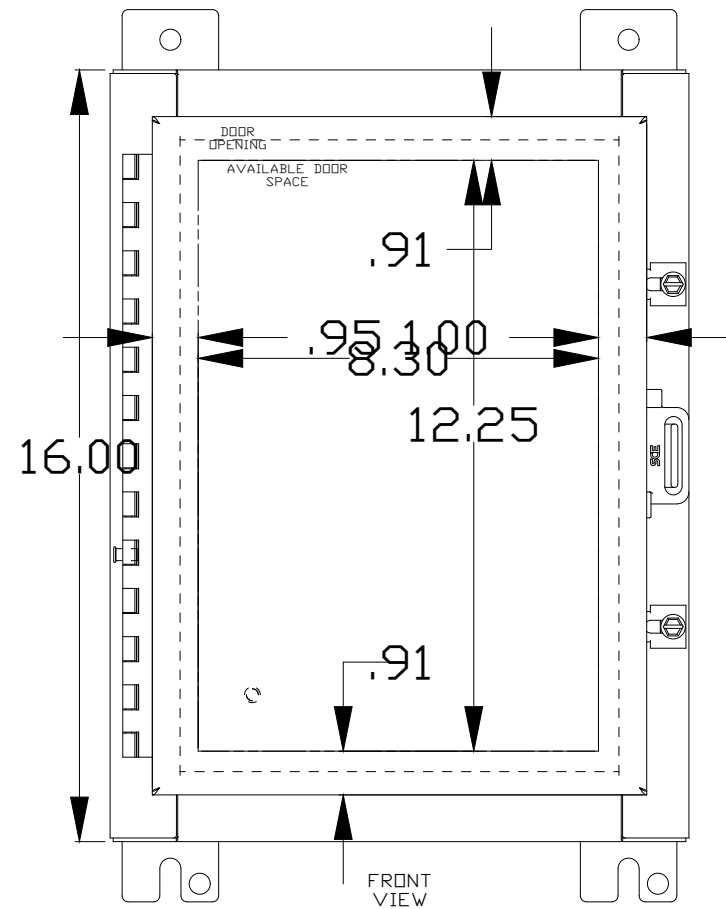
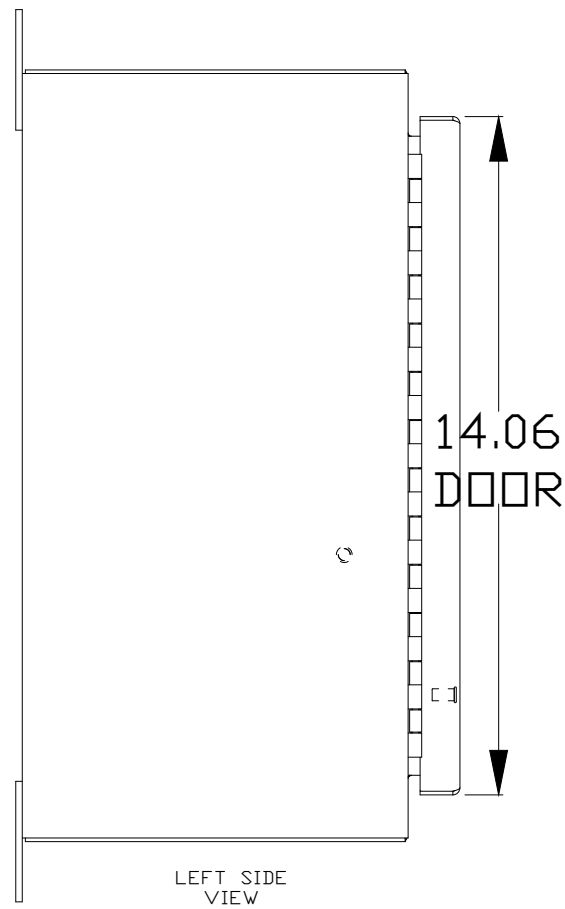
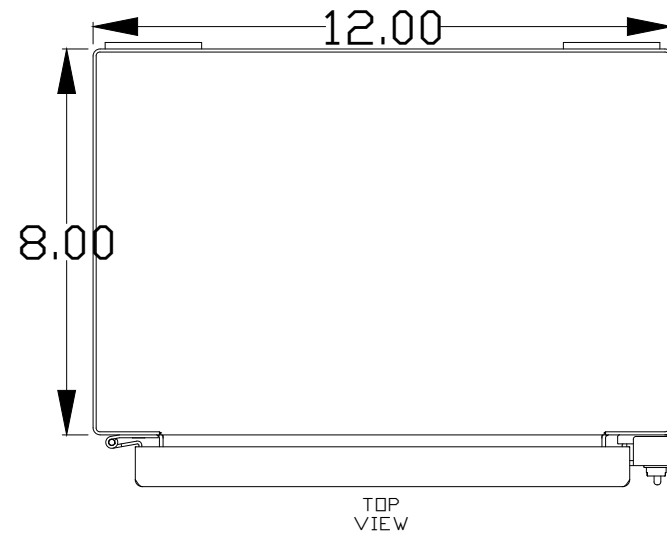
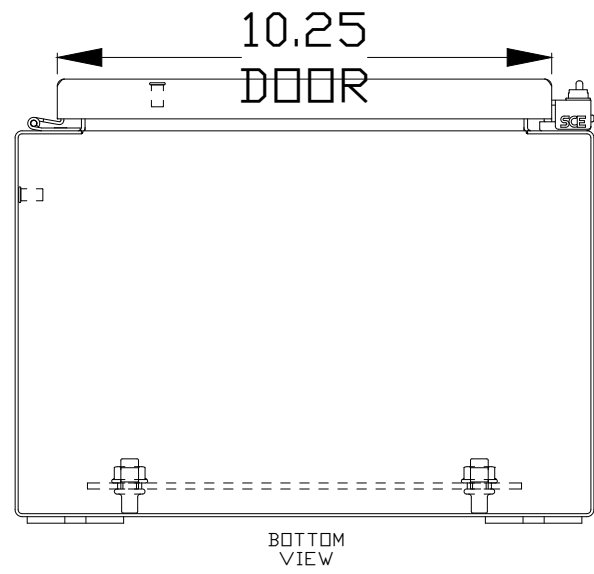
©2018 ROMTEC UTILITIES, INC. ALL RIGHTS RESERVED. THESE PLANS AND DRAWINGS MAY NOT BE REPRODUCED, DISTRIBUTED, OR FURTHER ASPATED, AND NO COMPONENTS MAY BE CONSTRUCTED FROM THESE PLANS, WITHOUT WRITTEN PERMISSION OF ROMTEC UTILITIES, INC.

ROMTEC UTILITIES
18240 NORTH BANK ROAD
ROSEBURG, OREGON 97470
PHONE: (541) 496-9678
WWW.ROMTECUTILITIES.COM

BELLA VISTA REGIONAL LIFT STATION
SCOTTSDALE, AZ
PUMP JUNCTION BOX

SAGINAW CONTROL & ENGINEERING

SCE-16H1208SSLP



LEVEL SENSING JUNCTION BOX

DATA SUBJECT TO CHANGE WITHOUT NOTICE

©2018 ROMTEC UTILITIES, INC. ALL RIGHTS RESERVED. THESE PLANS AND DRAWINGS MAY NOT BE REPRODUCED, ADAPTED, OR FURTHER DISTRIBUTED, AND NO COMPONENTS MAY BE CONSTRUCTED FROM THESE PLANS, WITHOUT WRITTEN PERMISSION OF ROMTEC UTILITIES, INC.

ROMTEC UTILITIES
18240 NORTH BANK ROAD
ROSEBURG, OREGON 97470
PHONE: (541) 496-9678
WWW.ROMTECUTILITIES.COM

BELLA VISTA REGIONAL LIFT STATION
SCOTTSDALE, AZ

LEVEL SENSING JUNCTION BOX

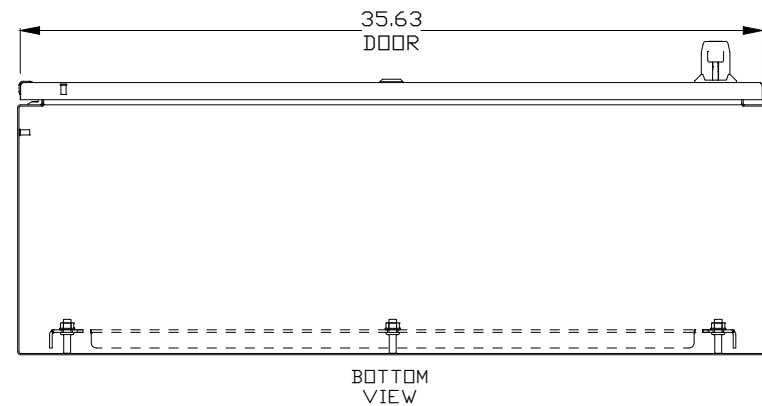
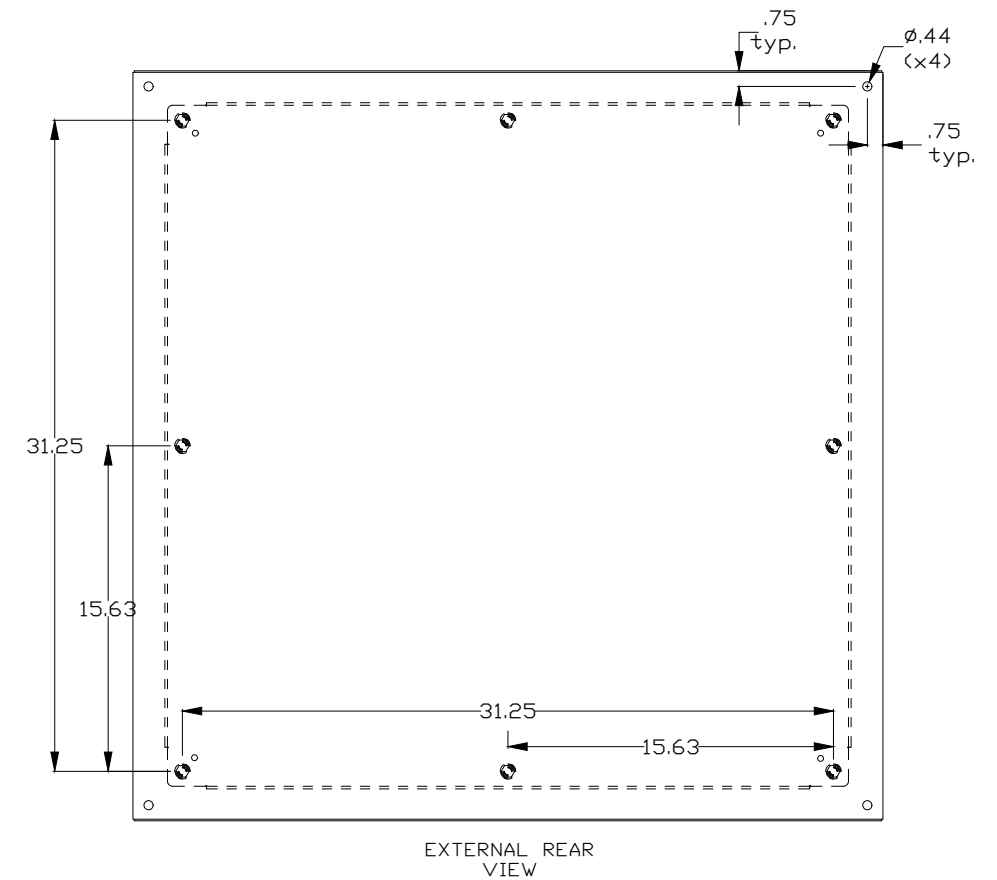
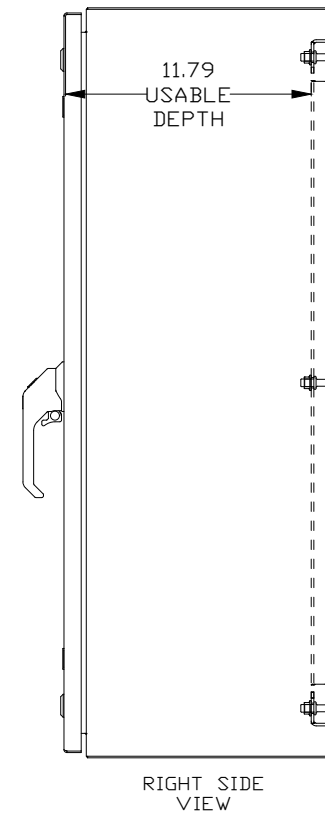
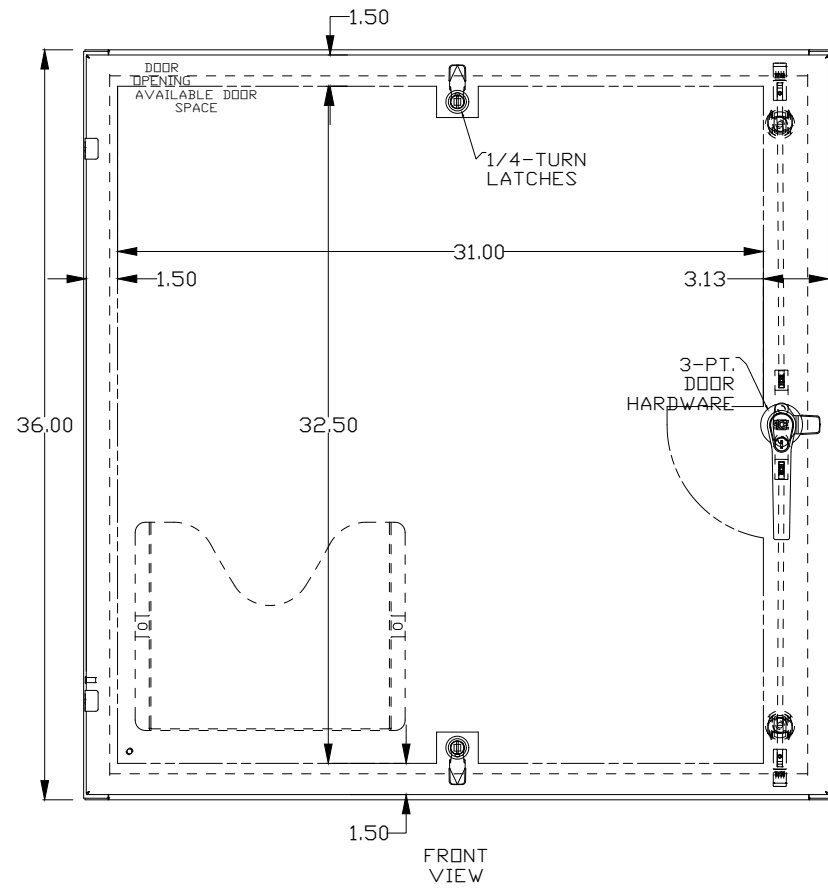
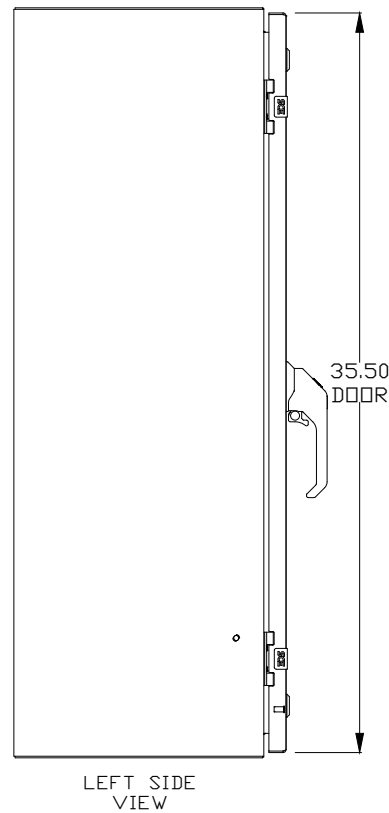
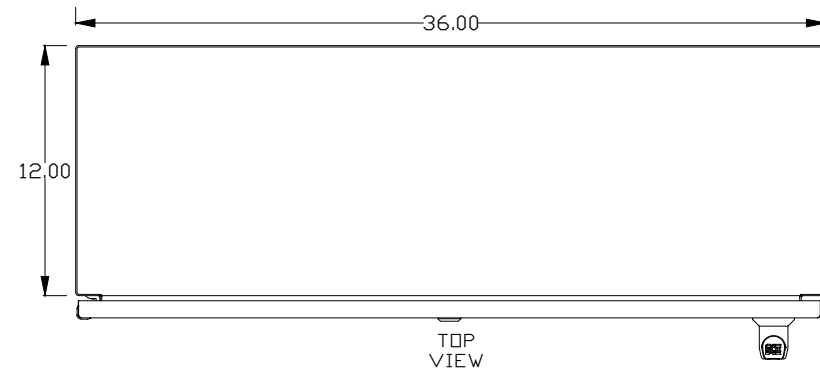
ELECTRICAL SHEET
3 OF 4

REV	DATE	DESCRIPTION	BY
0			

PROJECT #:
DSN: KAS
DRN: DRN
CKD: CKD
DATE: 3/8/21

SAGINAW CONTROL & ENGINEERING

SCE-36EL3612SSLPPL



PUMP JUNCTION BOX

DATA SUBJECT TO CHANGE WITHOUT NOTICE

ROMTEC UTILITIES
 18240 NORTH BANK ROAD
 ROSEBURG, OREGON 97470
 PHONE: (541) 496-9678
 WWW.ROMTECUTILITIES.COM

BELLA VISTA REGIONAL LIFT STATION
 SCOTTSDALE, AZ
 CONTROL PANEL
 &
 PUMP CONTROL PANELS

PROJECT #:
 DSN: KAS
 DRN: DRN
 CKD: CKD
 DATE: 3/8/21

©2018 ROMTEC UTILITIES, INC. ALL RIGHTS RESERVED. THESE PLANS AND DRAWINGS MAY NOT BE REPRODUCED, ADAPTED, OR FURTHER DISTRIBUTED, AND NO COMPONENTS MAY BE CONSTRUCTED FROM THESE PLANS, WITHOUT WRITTEN PERMISSION OF ROMTEC UTILITIES, INC.

REV	DATE	DESCRIPTION	BY
0			

ELECTRICAL SHEET
 4 OF 4