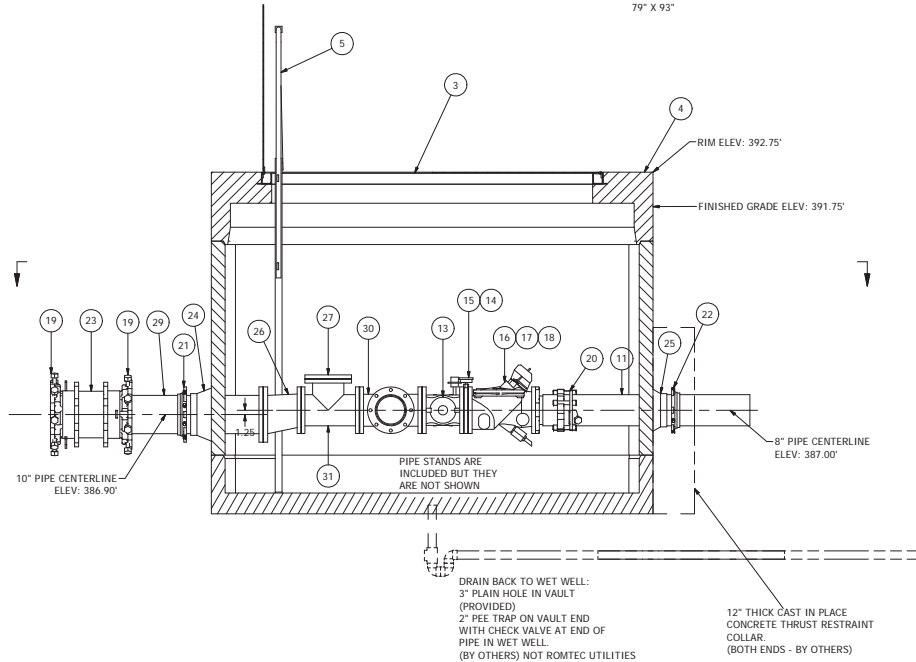
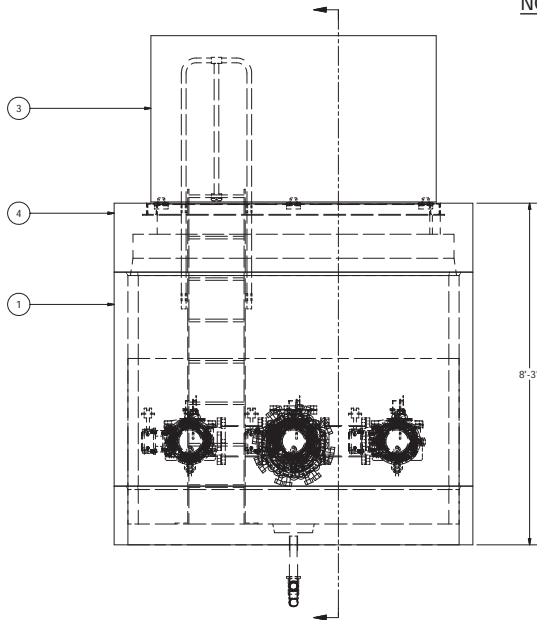


NOTE: VAULT TOP SLAB IS PEDESTRIAN RATED

CLEAR HATCH OPENING
79" X 93"



NOTE: ALL DIMENSIONS AND ELEVATIONS SHOWN ARE NOMINAL DIMENSIONS. IT IS THE RESPONSIBILITY OF THE ON-SITE CONTRACTOR OR ROMTEC UTILITIES CUSTOMER (NOT ROMTEC UTILITIES) TO VERIFY THE ACCURACY OF ANY CRITICAL DIMENSIONS OR ELEVATIONS PRIOR TO SETTING OR INSTALLING ANY EQUIPMENT.

8' X 10' VALVE VAULT
8" & 10" PIPING AND VALVES

© 2013 ROMTEC INC. ALL RIGHTS RESERVED. THESE PLANS AND DRAWINGS MAY NOT BE REPRODUCED, ADAPTED, OR FURTHER DISTRIBUTED, AND NO COMPONENTS MAY BE CONSTRUCTED FROM THESE PLANS, WITHOUT WRITTEN PERMISSION OF ROMTEC, INC.

REV	DESCRIPTION	DATE	BY	APPROV
1	REVISION			

0	ISSUED FOR BIDDING	11/26/14	AD	AD
1	ISSUED FOR CONSTRUCTION	11/26/14	AD	AD

COMPONENT DRAWING

ROMTEC UTILITIES
18240 NORTH BANK ROAD
ROSEBURG, OREGON 97470
(541) 496-9678
FAX (541) 496-0804

GOSSAMER GROVE
8" VALVE VAULT

SHEET
1 OF 1

JOB NUMBER
RMTC
0000