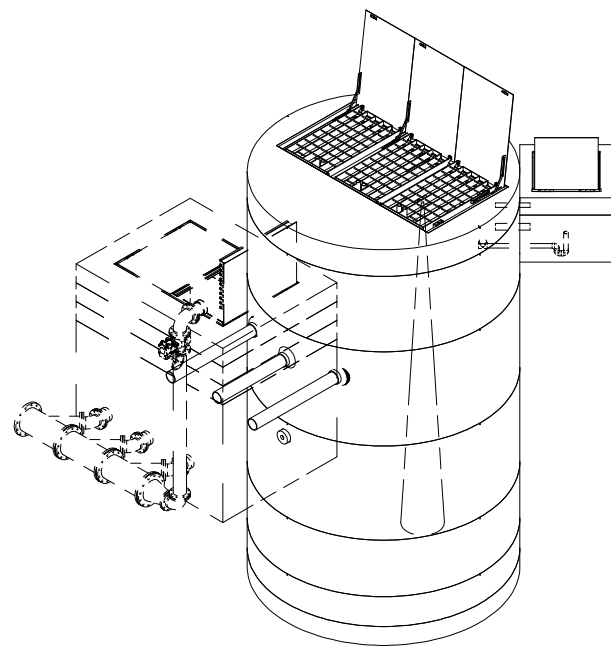
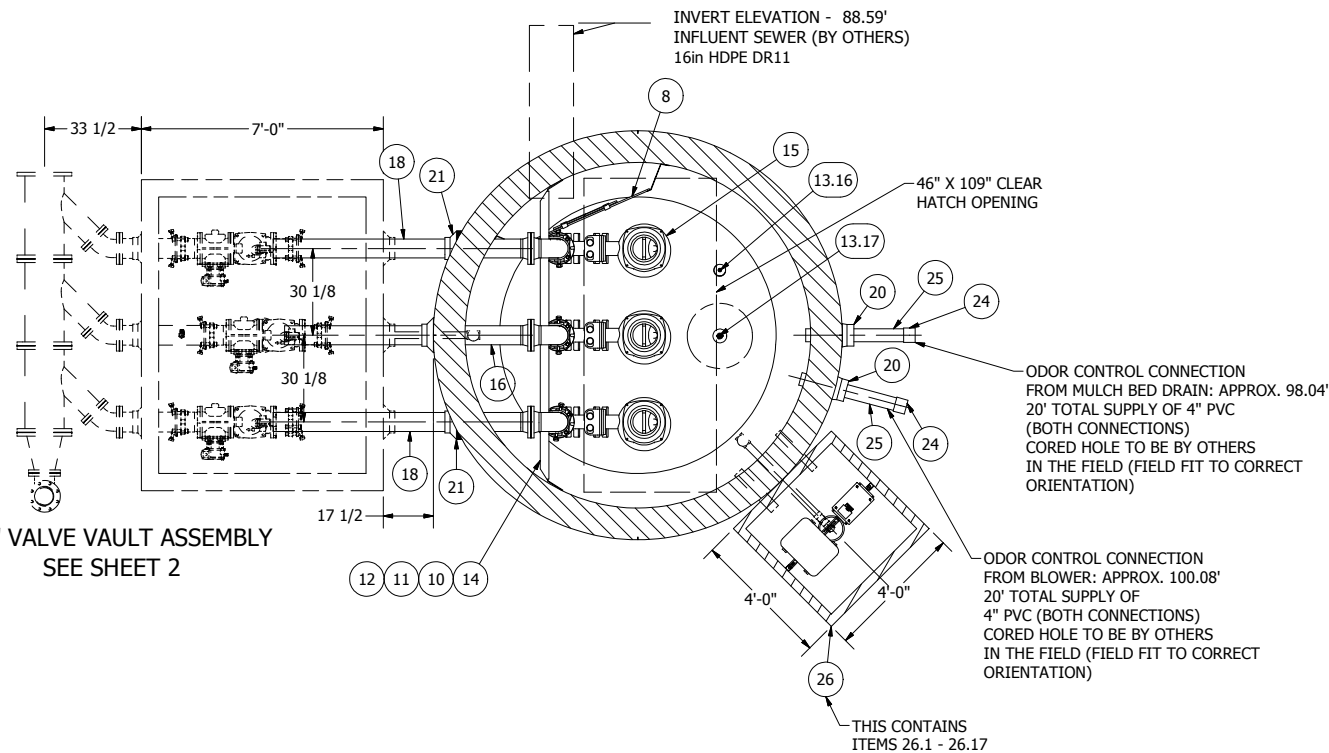


SITE PLAN LAYOUT 2-21-14

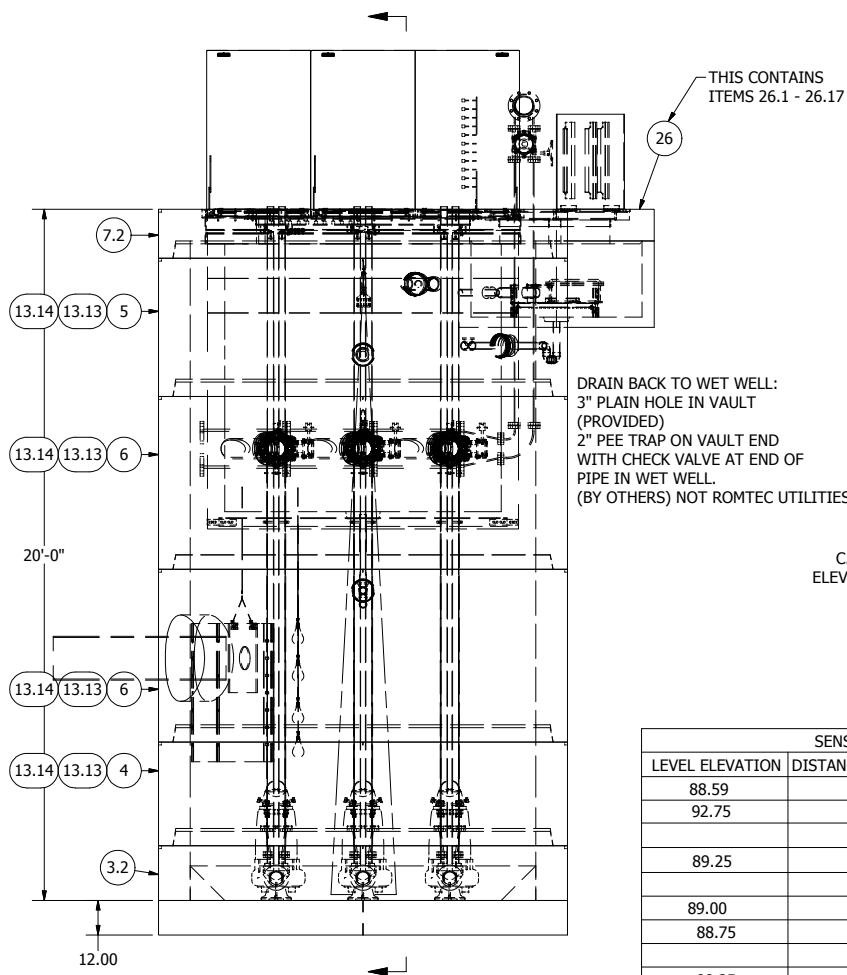


VALVE VAULT REFERENCE DRAWING ONLY: SEE VALVE VAULT COMPONENT DRAWING (SECTION 10) FOR VALVE VAULT DETAILS AND PARTS LIST

6' X 8' VALVE VAULT ASSEMBLY
SEE SHEET 2



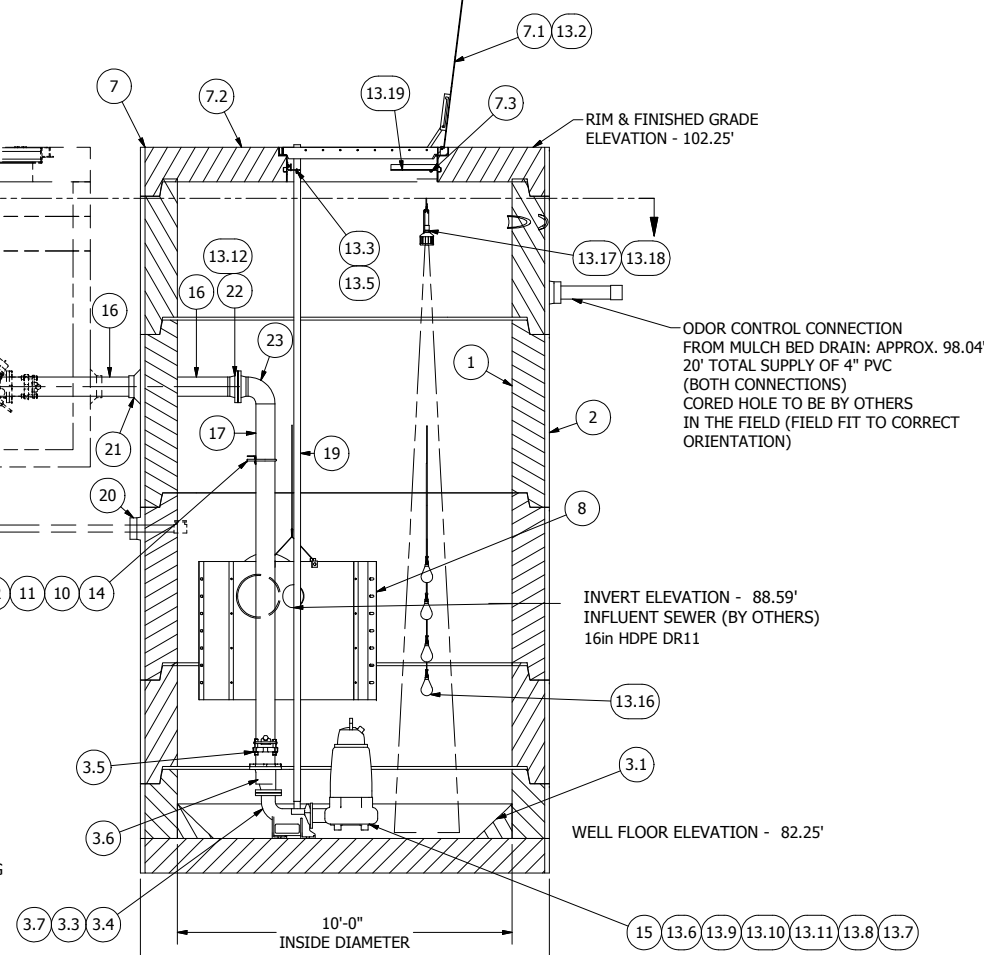
NOTE: WET WELL TOP SLAB IS H-20 OCCASIONAL TRAFFIC RATED



VALVE VAULT REFERENCE DRAWING ONLY: SEE VALVE VAULT COMPONENT DRAWING (SECTION 10) FOR VALVE VAULT DETAILS AND PARTS LIST

C.L. DISCHARGE ELEVATION - 95.32'

SENSOR AND ELEVATION TABLE		
LEVEL ELEVATION	DISTANCE BETWEEN POINTS	SET POINT DESCRIPTION
88.59		INVERT IN
92.75		BACK UP PUMPS START
	3.50	SENSOR SPACING
89.25		BACK UP PUMPS STOP
	0.25	SENSOR SPACING
89.00		BACK UP HL ALARM
88.75		HIGH LEVEL ALARM/LAG LAG
	0.50	SENSOR SPACING
88.25		LAG PUMP START
	0.50	SENSOR SPACING
87.75		LEAD PUMP START
	3.50	SENSOR SPACING
84.25		PUMP STOP
	2.00	DISTANCE TO FLOOR
82.25		FLOOR ELEVATION



NOTE: ALL DIMENSIONS AND ELEVATIONS SHOWN ARE NOMINAL DIMENSIONS. IT IS THE RESPONSIBILITY OF THE ON-SITE CONTRACTOR OR ROMTEC UTILITIES CUSTOMER (NOT ROMTEC UTILITIES) TO VERIFY THE ACCURACY OF ANY CRITICAL DIMENSIONS OR ELEVATIONS PRIOR TO SETTING OR INSTALLING ANY EQUIPMENT.

10'DIAMETER WET WELL
DISCHARGE PIPING

© 2013 ROMTEC INC. ALL RIGHTS RESERVED. THESE PLANS AND DRAWINGS MAY NOT BE REPRODUCED, ADAPTED, OR FURTHER DISTRIBUTED, AND NO COMPONENTS MAY BE CONSTRUCTED FROM THESE PLANS, WITHOUT WRITTEN PERMISSION OF ROMTEC, INC.

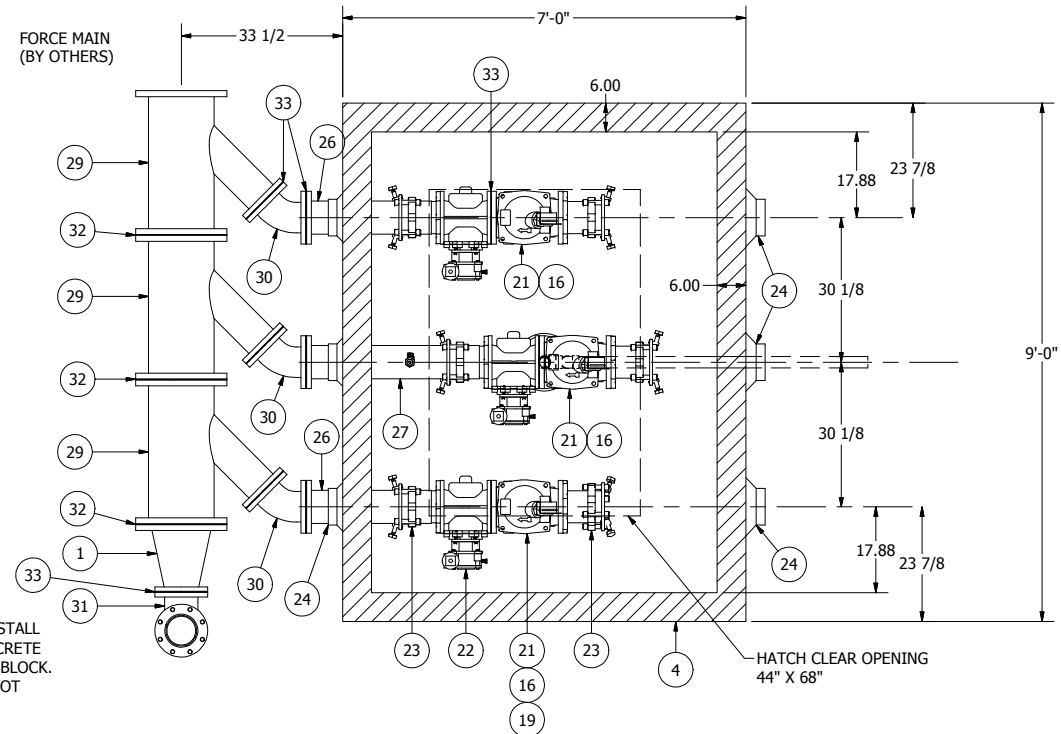
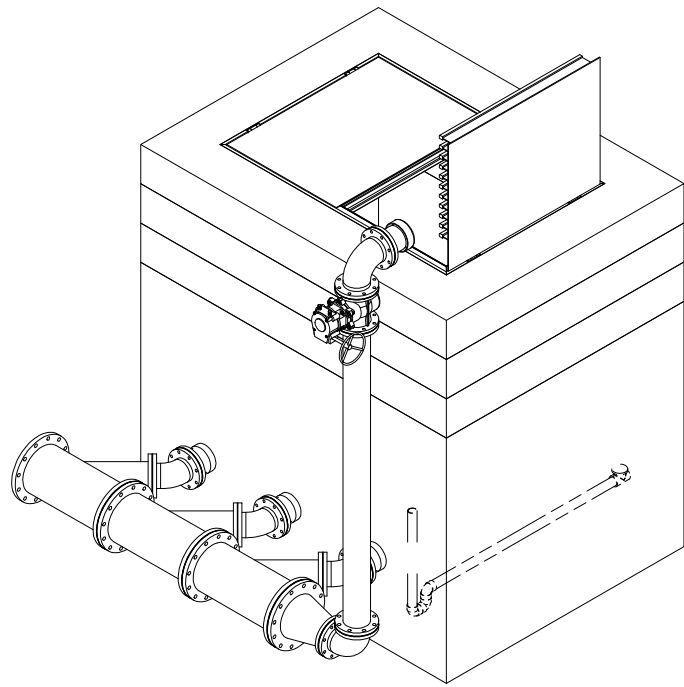
REV	DESCRIPTION	DATE	APPROV
7	NEW INLET ELEVATION AND PIPE SIZE	8-15-14	AD
6	NOTE CORRECTIONS	8-7-14	AD
5	NEW INLET ELEVATION	7-24-14	AD
4	REVISED FOR PRODUCTION LAUNCH	7-8-14	AD
3	REVISED TO REFLECT THE REVISIONS TO THE VALVE VAULT AND 2-6-14 COMMENTS	2-6-14	AD
2	REVISED PER COMMENTS UP THROUGH 11-13-13	11-13-13	AD
1	REVISED HATCH LAYOUT TO 20in	10-21-13	AD
REV	DESCRIPTION	DATE	APPROV

VERIFY SCALE BAR IS ONE INCH ON ORIGINAL DRAWING
0 IF NOT ONE INCH ON THIS SHEET ADJUST SCALES ACCORDINGLY
1"
DSN - NG
DRN - NG
CKD - AD
DATE - 7-10-13

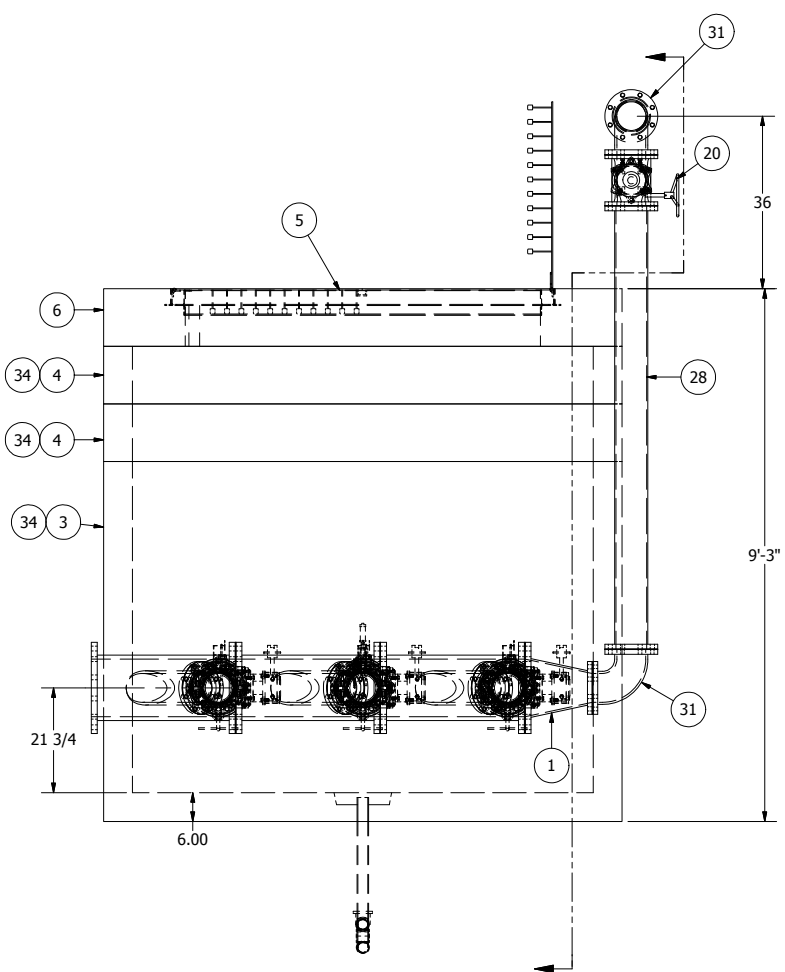
ROMTEC UTILITIES
18240 NORTH BANK ROAD
ROSEBURG, OREGON 97470
(541) 496-9678
FAX (541) 496-0804

BAY MEADOWS
10' WET WELL - 6" PIPING

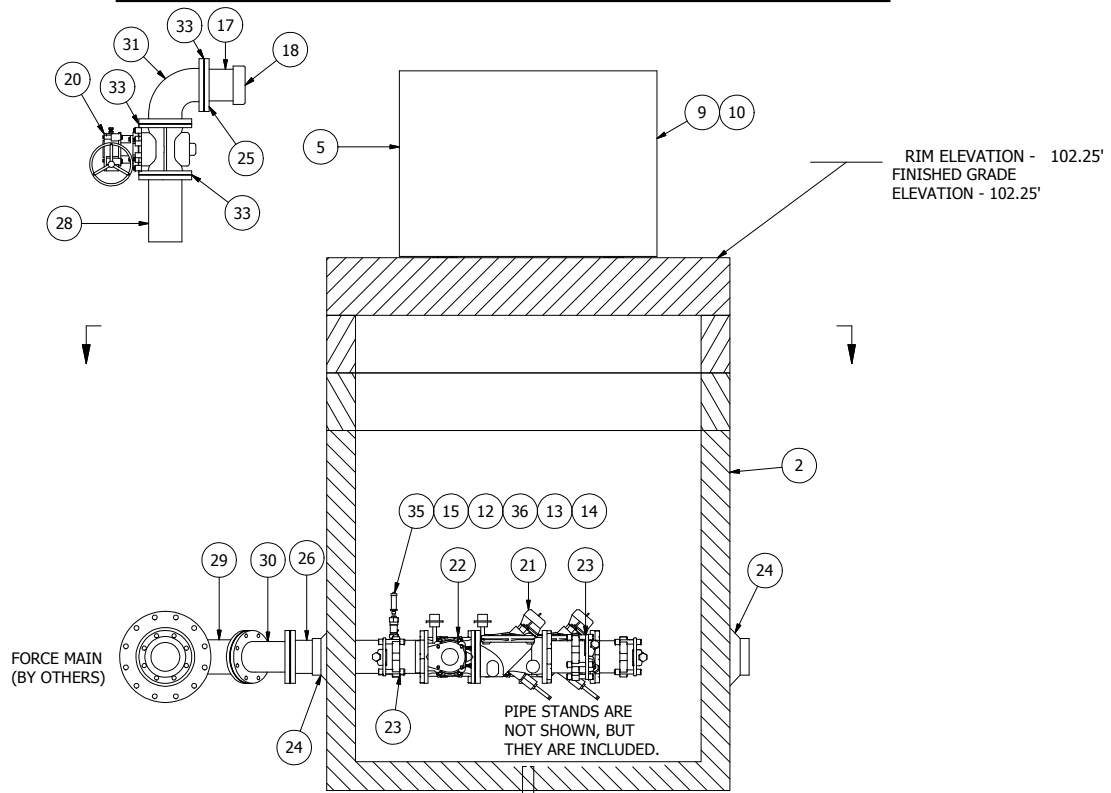
SHEET
1 OF 4
JOB NUMBER
RMTC 0000



CONTRACTOR TO INSTALL CAST IN PLACE CONCRETE THRUST RESTRAINT BLOCK. (BY CONTRACTOR, NOT ROMTEC UTILITIES)



NOTE: VAULT TOP SLAB IS H-20 OCCASIONAL RATED



DRAIN BACK TO WET WELL:
3" PLAIN HOLE IN VAULT (PROVIDED)
2" PEE TRAP ON VAULT END WITH CHECK VALVE AT END OF PIPE IN WET WELL.
(BY OTHERS) NOT ROMTEC UTILITIES

6' X 8' VALVE VAULT
6" PIPING AND VALVES
12" PUMPING PORT

© 2013 ROMTEC INC. ALL RIGHTS RESERVED. THESE PLANS AND DRAWINGS MAY NOT BE REPRODUCED, ADAPTED, OR FURTHER DISTRIBUTED, AND NO COMPONENTS MAY BE CONSTRUCTED FROM THESE PLANS, WITHOUT WRITTEN PERMISSION OF ROMTEC, INC.

REV	DESCRIPTION	DATE	APPROV
1	REVISD PER ALL LATEST COMMENTS	11-15-13	AD
2	ELECTRICAL	11-20-13	NNA
3	ADDED PRESSURE TRANSDUCER FOR	2-6-14	AD
4	REVISD PER SITE LAYOUT CHANGES	2-24-14	AD
5	REVISD PER 2/21/14 COMMENTS	3-4-14	AD
6	REVISD FOR PRODUCTION LAUNCH	7-8-14	AD

NOTE CHANGES

VERIFY SCALE
BAR IS ONE INCH ON ORIGINAL DRAWING

1"
IF NOT ONE INCH ON THIS SHEET ADJUST SIZES ACCORDINGLY

DSN - NG
DRN - AD
CKD - AD
DATE - 7-10-13

REVISION HISTORY

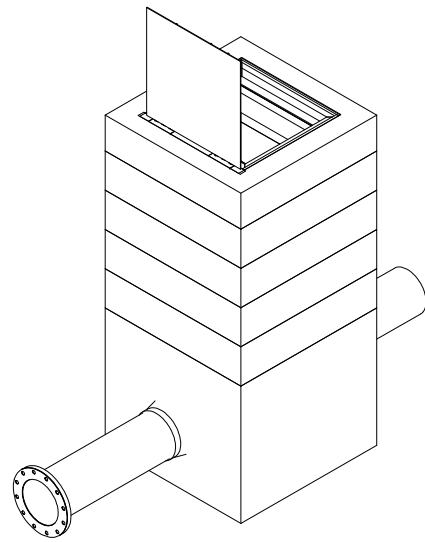
COMPONENT DRAWING

ROMTEC UTILITIES
18240 NORTH BANK ROAD
ROSEBURG, OREGON 97470
(541) 496-9678
FAX (541) 496-0804

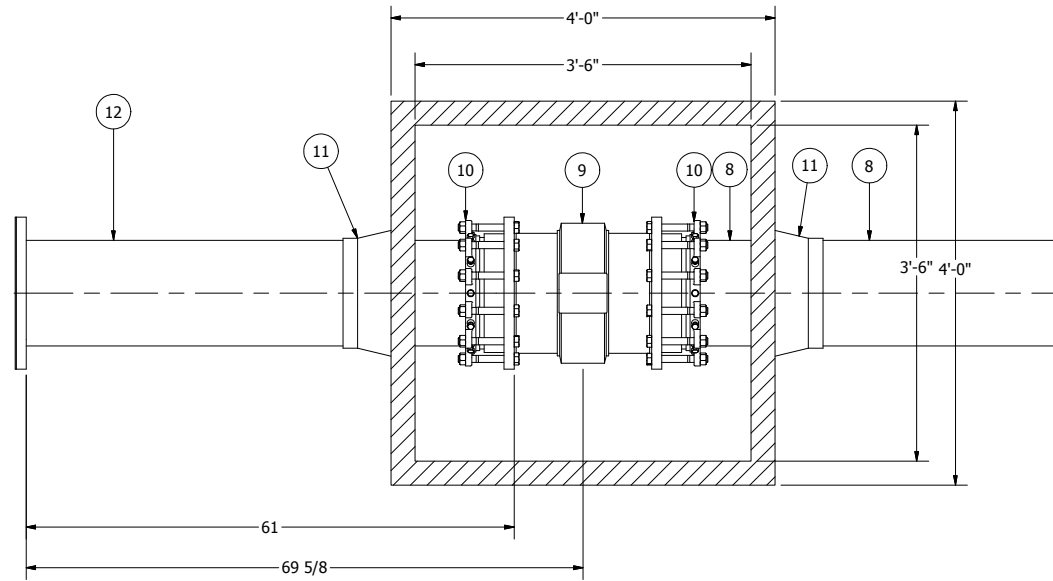
BAY MEADOWS
6' X 8' V - 6" PIPING

SHEET
2 OF 4

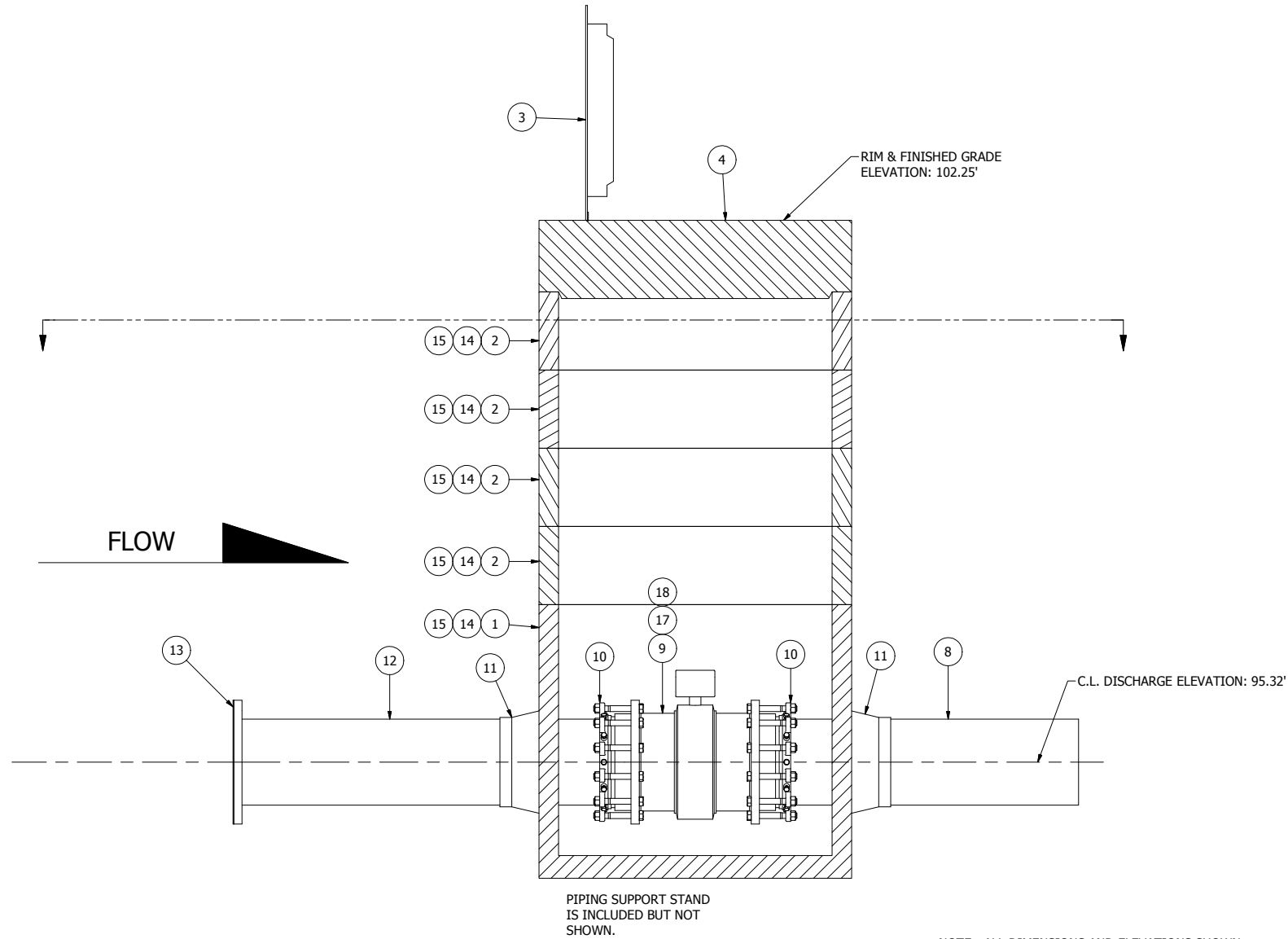
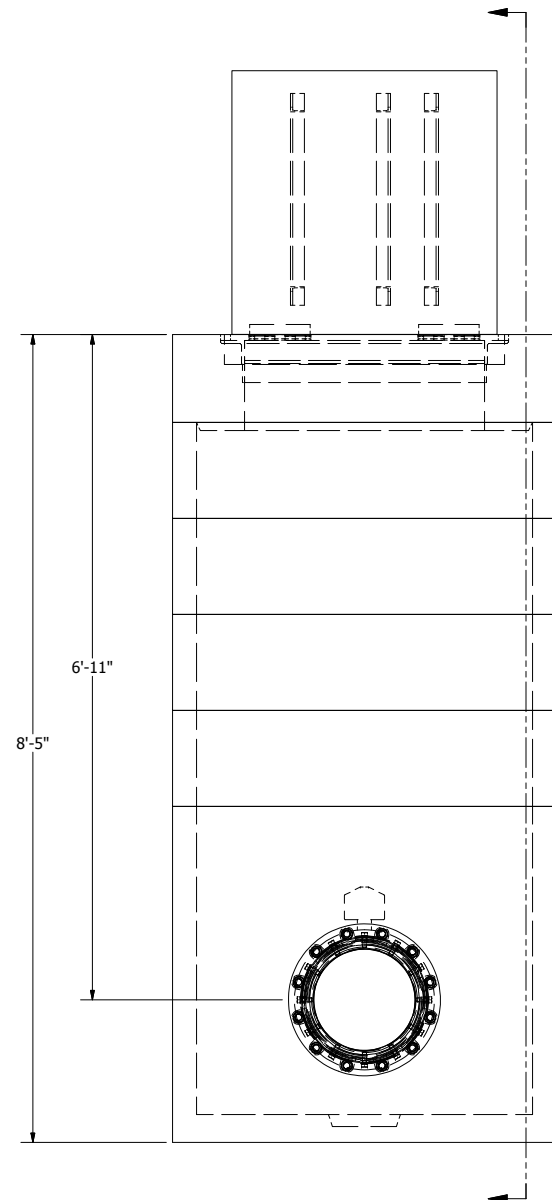
JOB NUMBER
RMTC
0000



FLOW



NOTE: METER VAULT TOP SLAB IS H20 OCCASIONAL TRAFFIC RATED



NOTE: ALL DIMENSIONS AND ELEVATIONS SHOWN ARE NOMINAL DIMENSIONS. IT IS THE RESPONSIBILITY OF THE ON-SITE CONTRACTOR OR ROMTEC UTILITIES CUSTOMER (NOT ROMTEC UTILITIES) TO VERIFY THE ACCURACY OF ANY CRITICAL DIMENSIONS OR ELEVATIONS PRIOR TO SETTING OR INSTALLING ANY EQUIPMENT.

© 2013 ROMTEC INC. ALL RIGHTS RESERVED. THESE PLANS AND DRAWINGS MAY NOT BE REPRODUCED, ADAPTED, OR FURTHER DISTRIBUTED, AND NO COMPONENTS MAY BE CONSTRUCTED FROM THESE PLANS, WITHOUT WRITTEN PERMISSION OF ROMTEC, INC.

VERIFY SCALE
BAR IS ONE INCH ON ORIGINAL DRAWING
1"
IF NOT ONE INCH ON THIS SHEET ADJUST SIZES PROPORTIONALLY
0
DSN - AD
DRN - AD
CKD - AD
DATE - 2-7-14

NOTE ADDITIONS
8-7-14 AD
REVISOR FOR PRODUCTION LAUNCH
7-11-14 AD
REMOVED 12IN SHUT OFF VALVE
2-24-14 AD
DESCRIPTION
DATE
APPROV
REVISION HISTORY

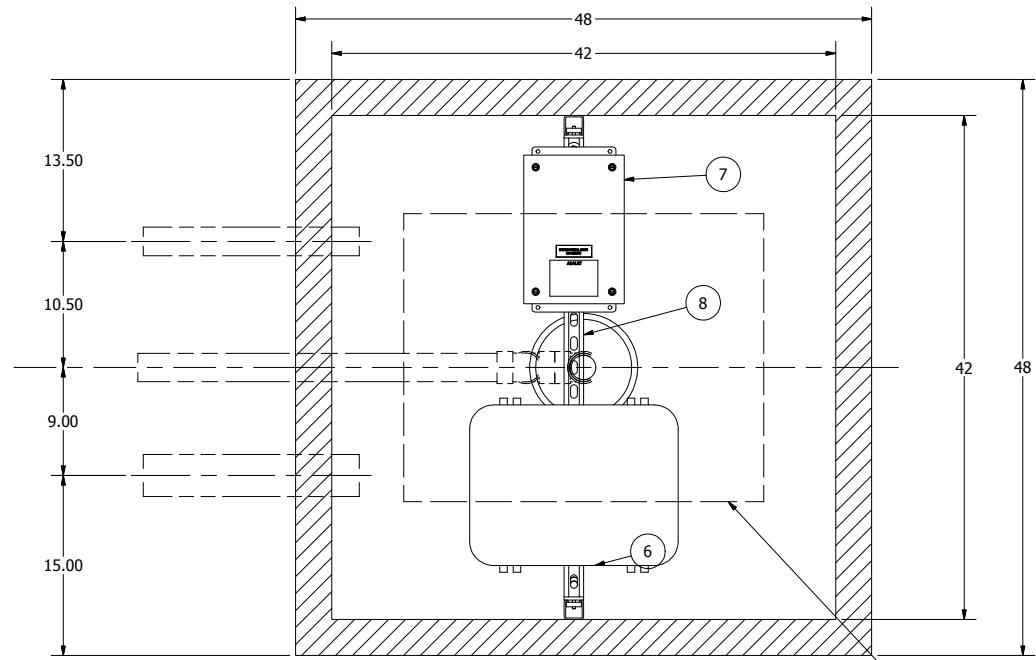
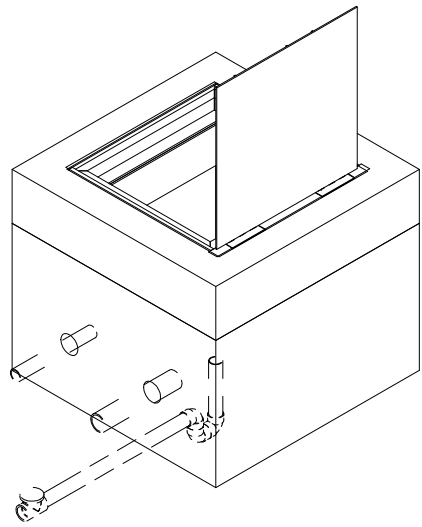
COMPONENT DRAWING

ROMTEC UTILITIES
18240 NORTH BANK ROAD
ROSEBURG, OREGON 97470
(541) 496-9678
FAX (541) 496-0804

**BAY MEADOWS
12" METER VAULT**

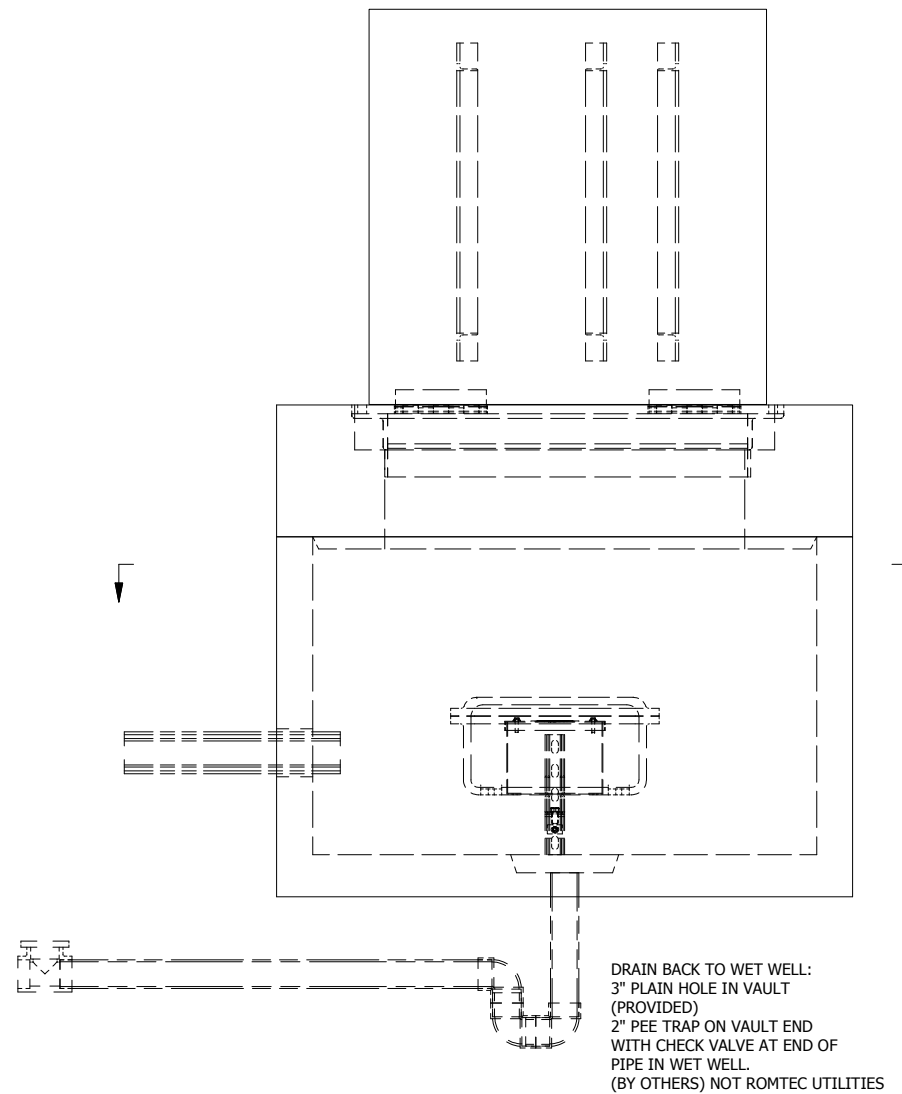
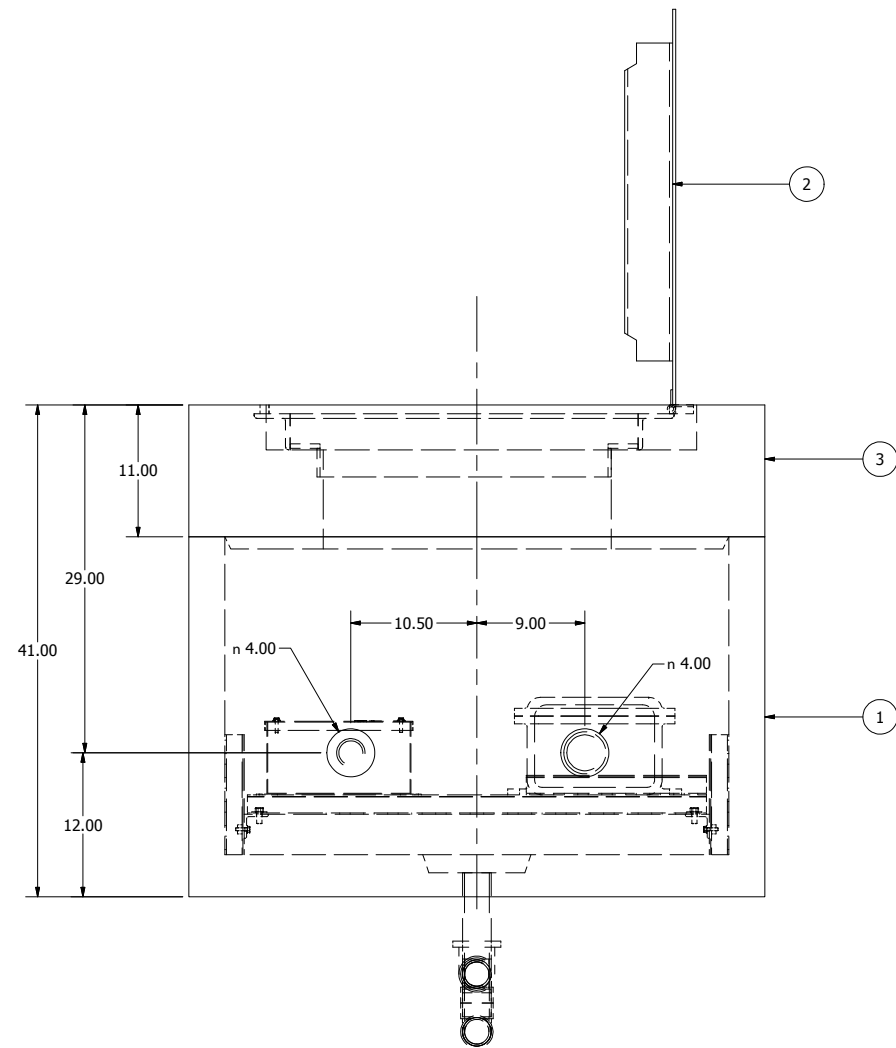
SHEET
5 OF 5

JOB NUMBER
**RMTC
0000**



HATCH CLEAR OPENING
24" X 30"

NOTE: JUNCTION BOX HATCH AND TOP SLAB ARE H20 OCCASIONAL TRAFFIC RATED



© 2013 ROMTEC INC. ALL RIGHTS RESERVED. THESE PLANS AND DRAWINGS MAY NOT BE REPRODUCED, ADAPTED, OR FURTHER DISTRIBUTED, AND NO COMPONENTS MAY BE CONSTRUCTED FROM THESE PLANS, WITHOUT WRITTEN PERMISSION OF ROMTEC, INC.

VERIFY SCALE
BAR IS ONE INCH ON ORIGINAL DRAWING
1"
0
IF NOT ONE INCH ON THIS SHEET ADJUST SIZES ACCORDINGLY
DSN - AD
DRN - AD
CKD - AD
DATE - 11-15-13

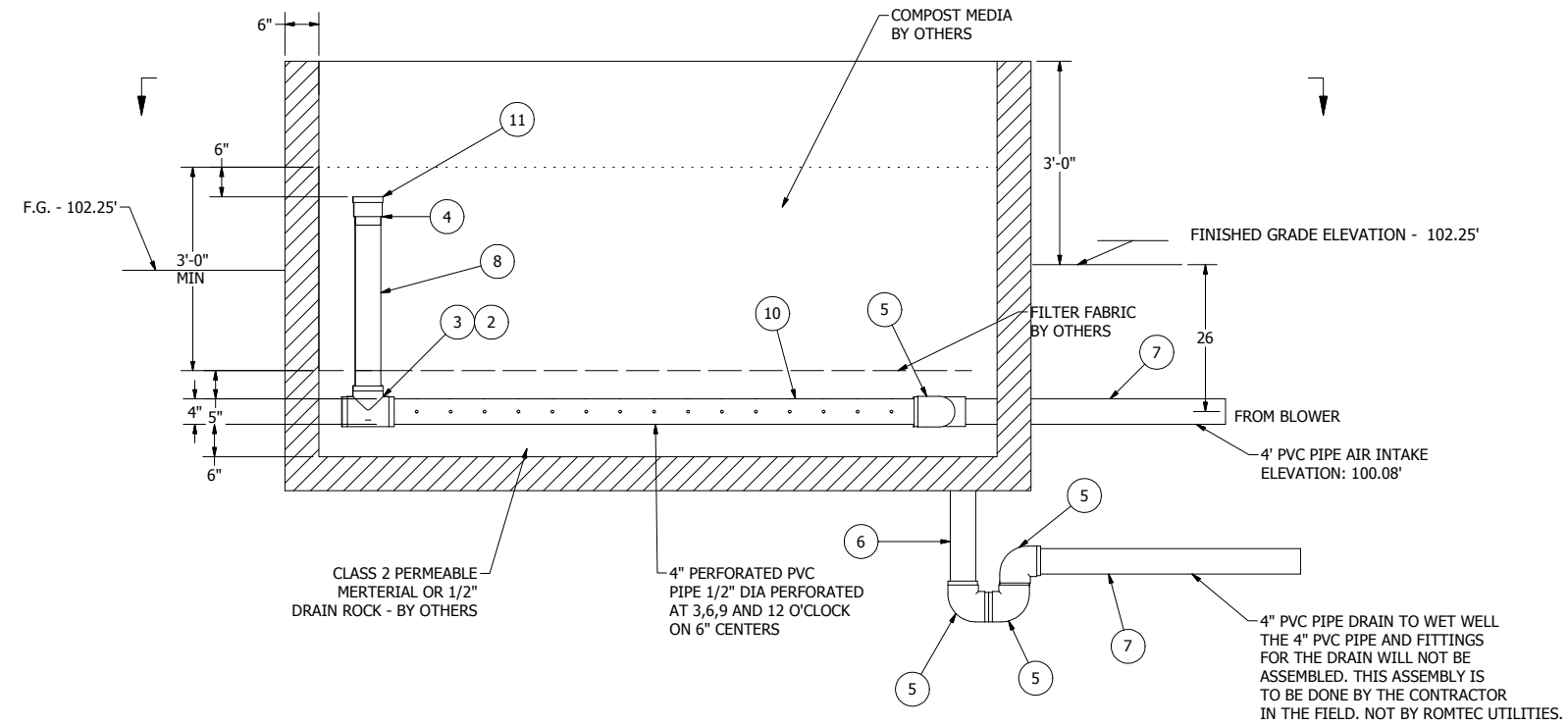
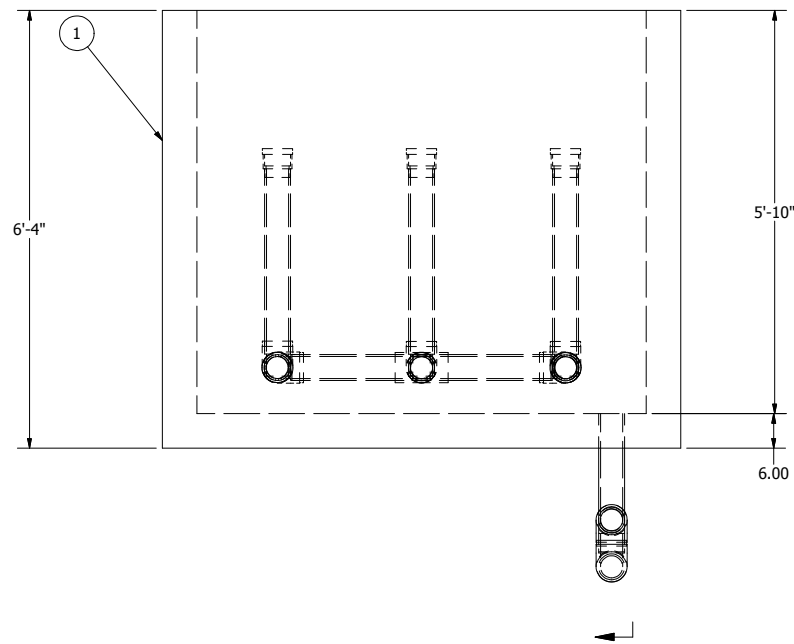
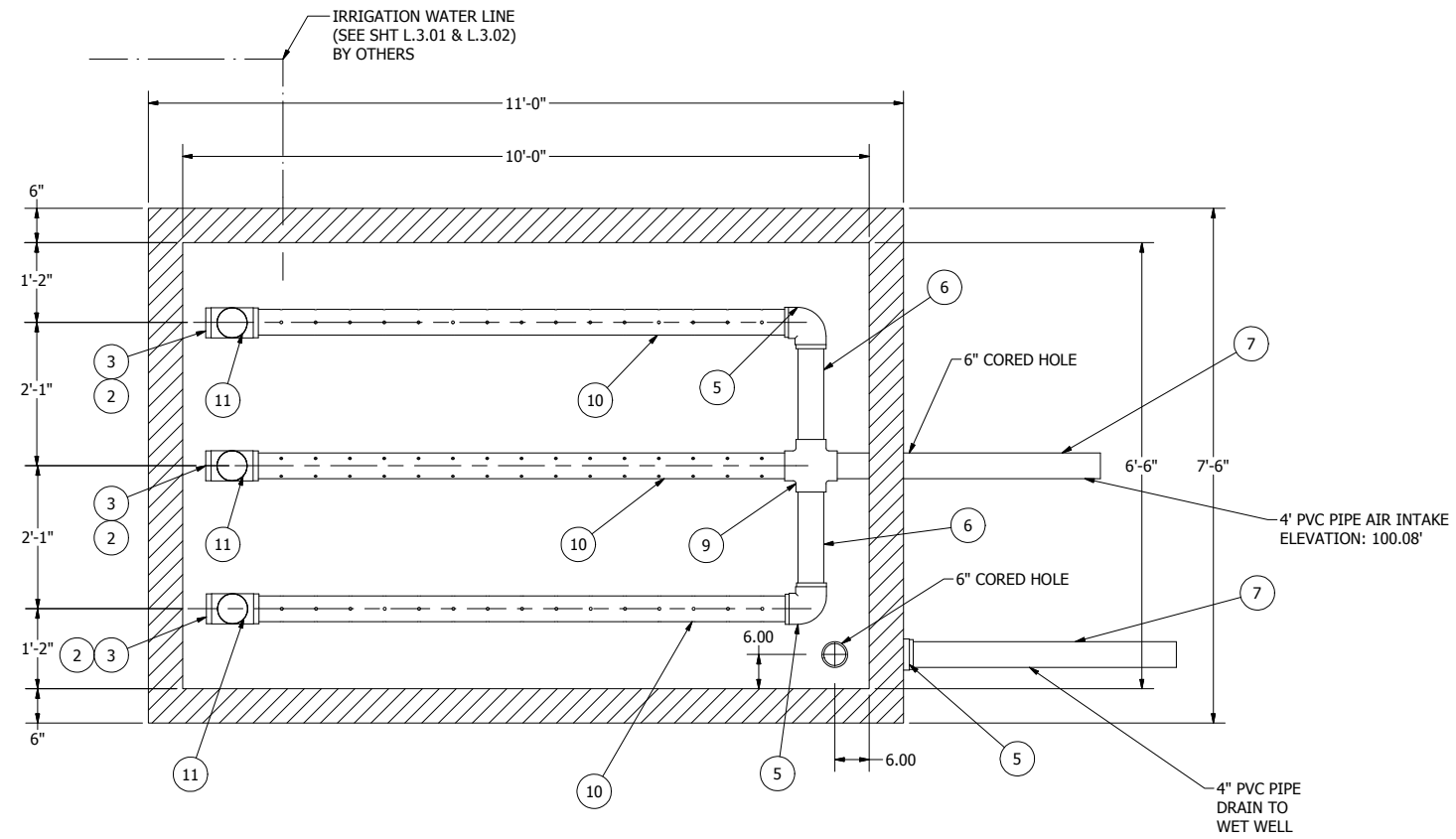
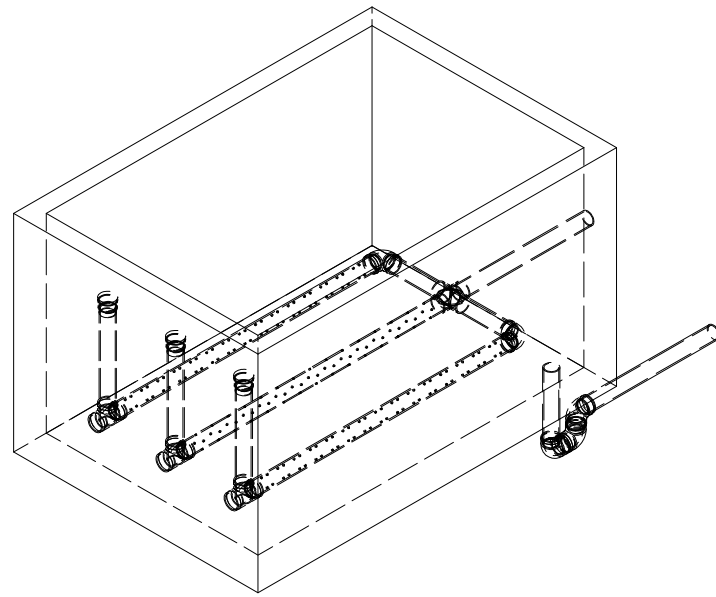
REV	DESCRIPTION	DATE	APPROV
1			

ROMTEC UTILITIES
18240 NORTH BANK ROAD
ROSEBURG, OREGON 97470
(541) 496-9678
FAX (541) 496-0804

BAY MEADOWS
JUNCTION BOX ASSEMBLY

SHEET
1 OF 1

JOB NUMBER
RMTC
0000



© 2013 ROMTEC INC. ALL RIGHTS RESERVED. THESE PLANS AND DRAWINGS MAY NOT BE REPRODUCED, ADAPTED, OR FURTHER DISTRIBUTED, AND NO COMPONENTS MAY BE CONSTRUCTED FROM THESE PLANS, WITHOUT WRITTEN PERMISSION OF ROMTEC, INC.

REV	DESCRIPTION	DATE	APPROV
3	NOTE CORRECTIONS	8-7-14	AD
2	REVISED FOR PRODUCTION LAUNCH	7-8-14	AD
1	ADDED ADDITIONAL NOTES AND DIMENSIONS	2-7-14	AD

REVISION HISTORY

VERIFY SCALE BAR IS ONE INCH ON ORIGINAL DRAWING
 1" IF NOT ONE INCH ON THIS SHEET ADJUST SCALES ACCORDINGLY
 0

DSN - NG
 DRN - NG
 CKD - AD
 DATE - 7-9-13

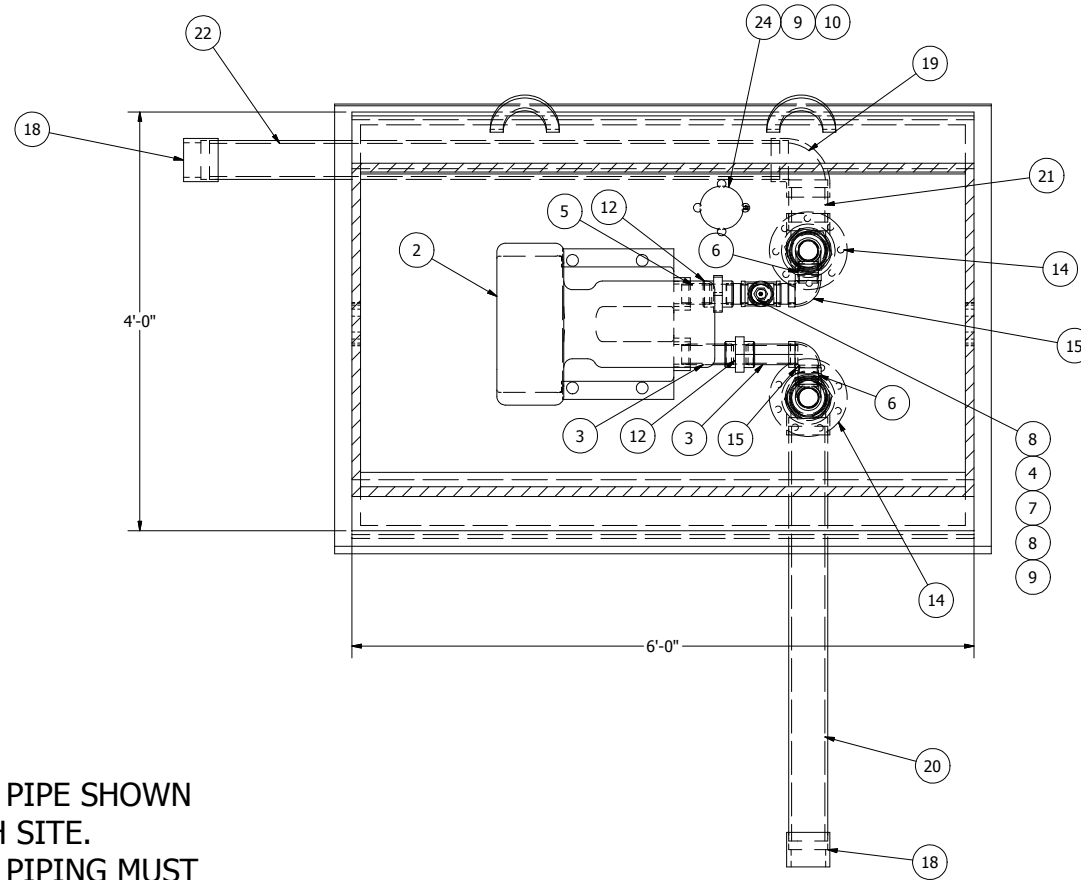
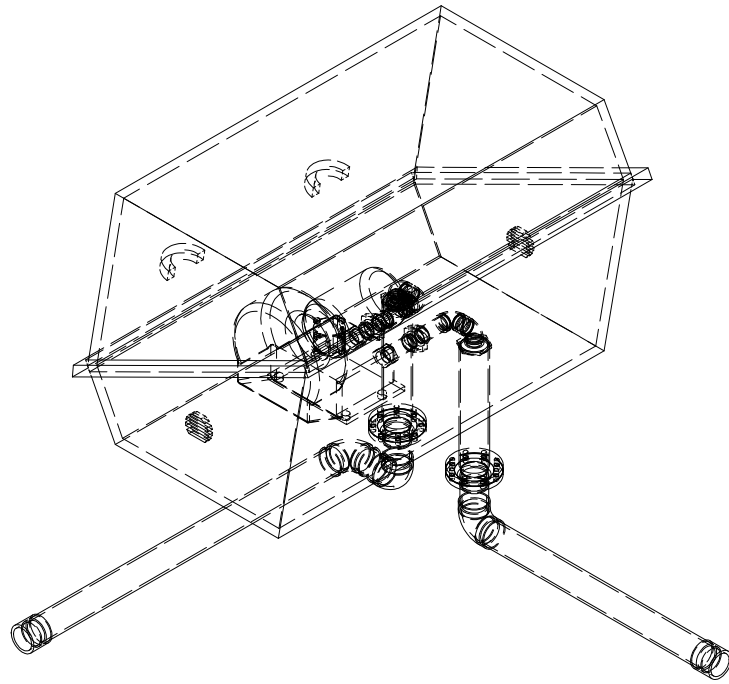
COMPONENT DRAWING

ROMTEC UTILITIES
 18240 NORTH BANK ROAD
 ROSEBURG, OREGON 97470
 (541) 496-9678
 FAX (541) 496-0804

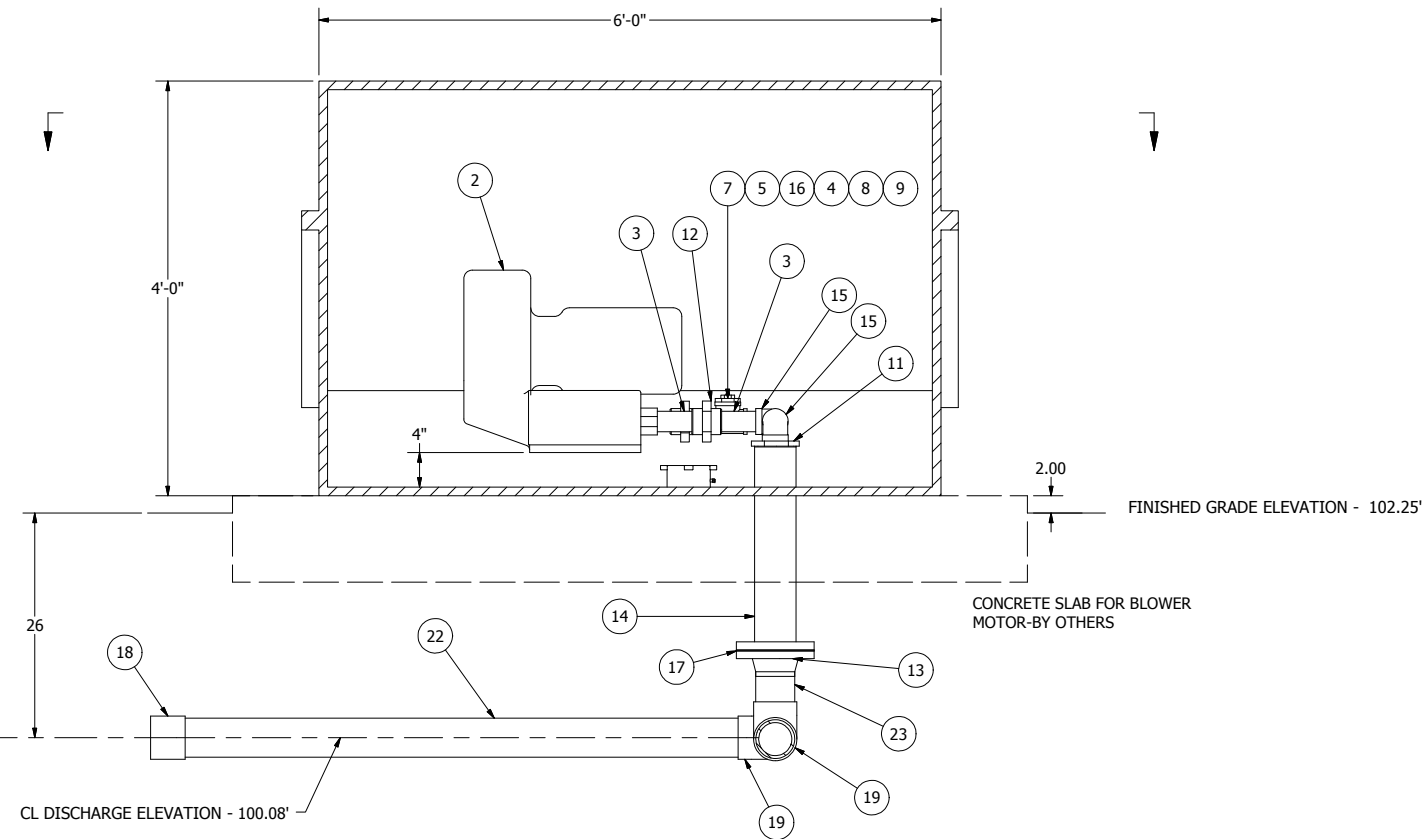
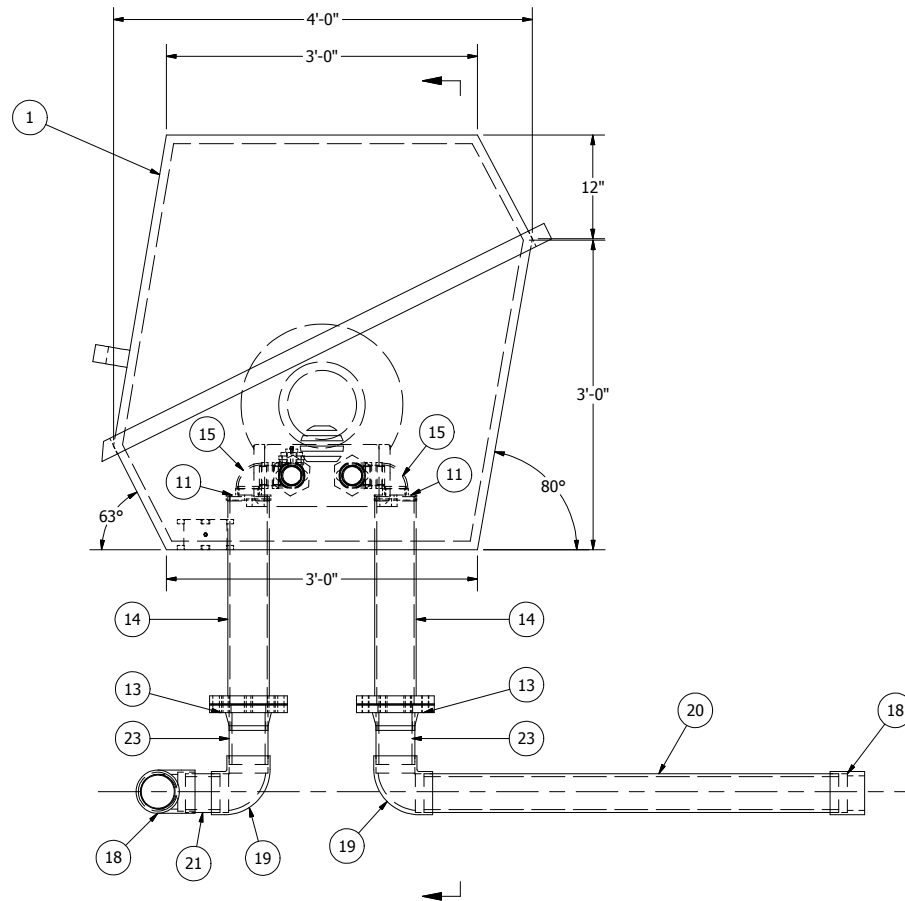
BAY MEADOWS ODOR CONTROL VAULT

SHEET
3 OF 4

JOB NUMBER
RMTC 0000



ORIENTATION OF PIPE SHOWN DOES NOT MATCH SITE. ORIENTATION OF PIPING MUST BE FIELD ADJUSTED.



4in PVC FITTINGS WILL NOT BE INSTALLED. THE 4in PVC PIPE AND FITTING ARE TO BE FIELD FIT. ROMTEC UTILITIES WILL SUPPLY THE FITTINGS AND PIPE. THE PIPE WILL NOT BE CUT TO LENGTH.

© 2013 ROMTEC INC. ALL RIGHTS RESERVED. THESE PLANS AND DRAWINGS MAY NOT BE REPRODUCED, ADAPTED, OR FURTHER DISTRIBUTED, AND NO COMPONENTS MAY BE CONSTRUCTED FROM THESE PLANS, WITHOUT WRITTEN PERMISSION OF ROMTEC, INC.

REV	DESCRIPTION	DATE	APPROV
3	BUBBLE ADDITIONS	8-7-14	AD
2	ADDED NOTES AND DIMENSIONS	2-7-14	AD
1	ADDED PRESSURE SWITCH/ACCESSORIES	11-21-13	NVA

VERIFY SCALE
BAR IS ONE INCH ON ORIGINAL DRAWING
1"
IF NOT ONE INCH ON THIS SHEET ADJUST SIZES ACCORDINGLY

DSN - NG
DRN - NG
CKD - AD
DATE - 7-12-13

REVISION HISTORY

COMPONENT DRAWING

ROMTEC UTILITIES
18240 NORTH BANK ROAD
ROSEBURG, OREGON 97470
(541) 496-9678
FAX (541) 496-0804

BAY MEADOWS
O.C. BLOWER ASSEMBLY

SHEET
4 OF 4

JOB NUMBER
RMTC
0000