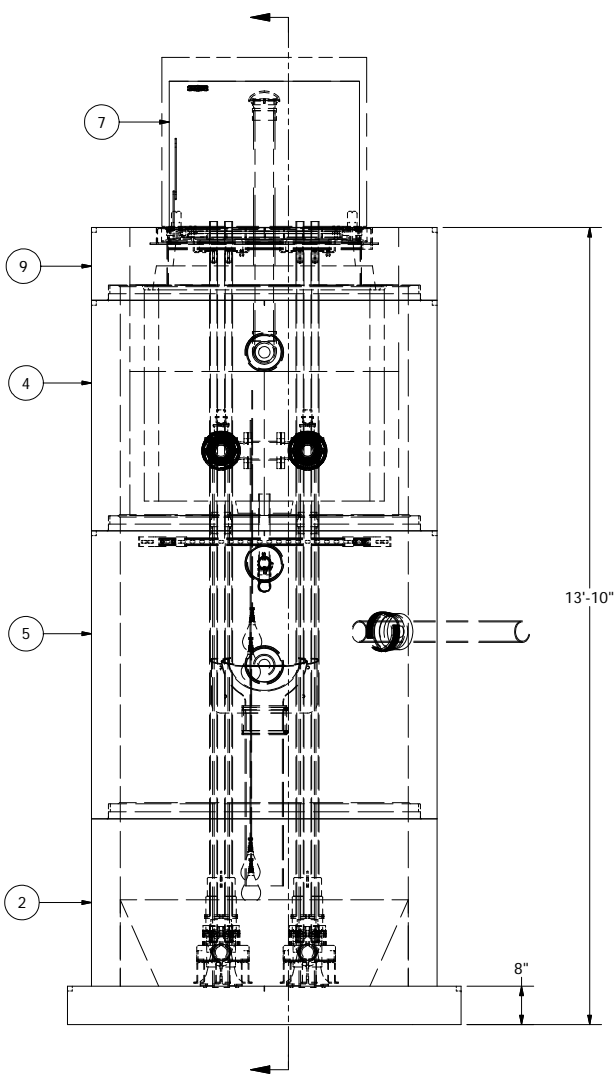
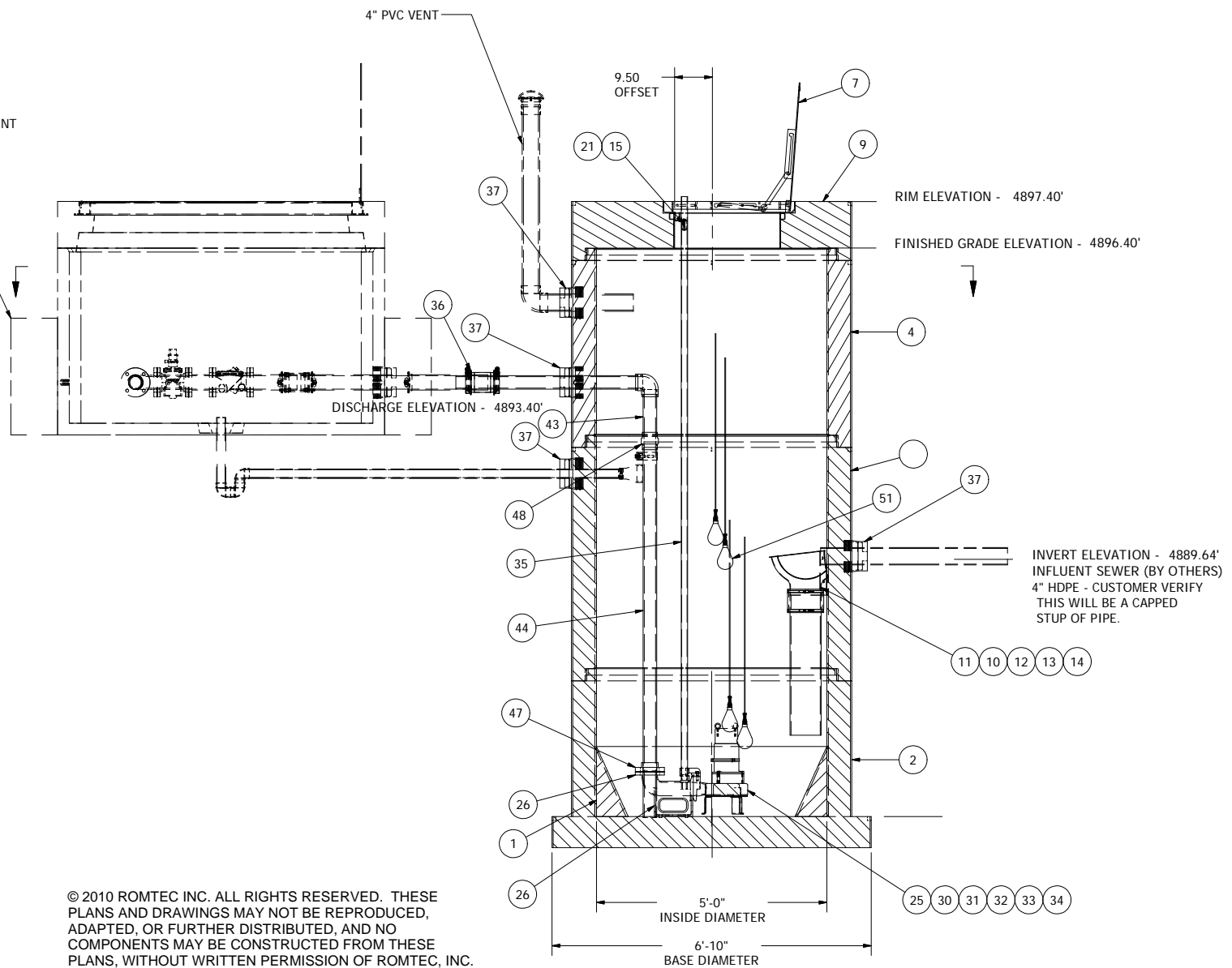


575 VALVE VAULT ASSEMBLY  
SEE SHEET 2

NOTE: WET WELL TOP SLAB IS PEDESTRIAN RATED



12" THICK CAST IN PLACE  
CONCRETE THRUST RESTRAINT  
COLLAR.  
(BOTH ENDS - BY OTHERS)



NOTE: ALL DIMENSIONS AND ELEVATIONS SHOWN ARE NOMINAL DIMENSIONS. IT IS THE RESPONSIBILITY OF THE ON-SITE CONTRACTOR OR ROMTEC UTILITIES CUSTOMER (NOT ROMTEC UTILITIES) TO VERIFY THE ACCURACY OF ANY CRITICAL DIMENSIONS OR ELEVATIONS PRIOR TO SETTING OR INSTALLING ANY EQUIPMENT.

ALL MATERIALS SHOWN ON THIS SHEET WILL BE SUPPLIED BY ROMTEC UTILITIES AND DELIVERED TO THE SITE AFTER THE HOLE HAS BEEN EXCAVATED AND SHORED. THE CONTRACTOR SHALL SUPPLY A CRANE OF SUFFICIENT SIZE TO LOWER ALL THE CONCRETE PIECES INTO THE HOLE SAFELY. THE CONTRACTOR SHALL INSTALL THE WET WELL (AND VALVE VAULT AND METERING VAULT IF APPLICABLE). ROMTEC UTILITIES WILL PROVIDE A REPRESENTATIVE FOR TECHNICAL ASSISTANCE ON THE DAY OF INSTALLATION TO ANSWER ANY QUESTIONS THAT MAY ARISE. THE CONTRACTOR IS RESPONSIBLE FOR ALL PLUMBING AND ELECTRICAL CONNECTIONS AND INSTALLATION. ITEMS NOTED AS "BY OTHERS" WILL BE PROVIDED AND INSTALLED BY THE CONTRACTOR. ROMTEC UTILITIES WILL NOT INSTALL ANY OF THE COMPONENTS SHOWN ON THIS PAGE.

© 2010 ROMTEC INC. ALL RIGHTS RESERVED. THESE PLANS AND DRAWINGS MAY NOT BE REPRODUCED, ADAPTED, OR FURTHER DISTRIBUTED, AND NO COMPONENTS MAY BE CONSTRUCTED FROM THESE PLANS, WITHOUT WRITTEN PERMISSION OF ROMTEC, INC.

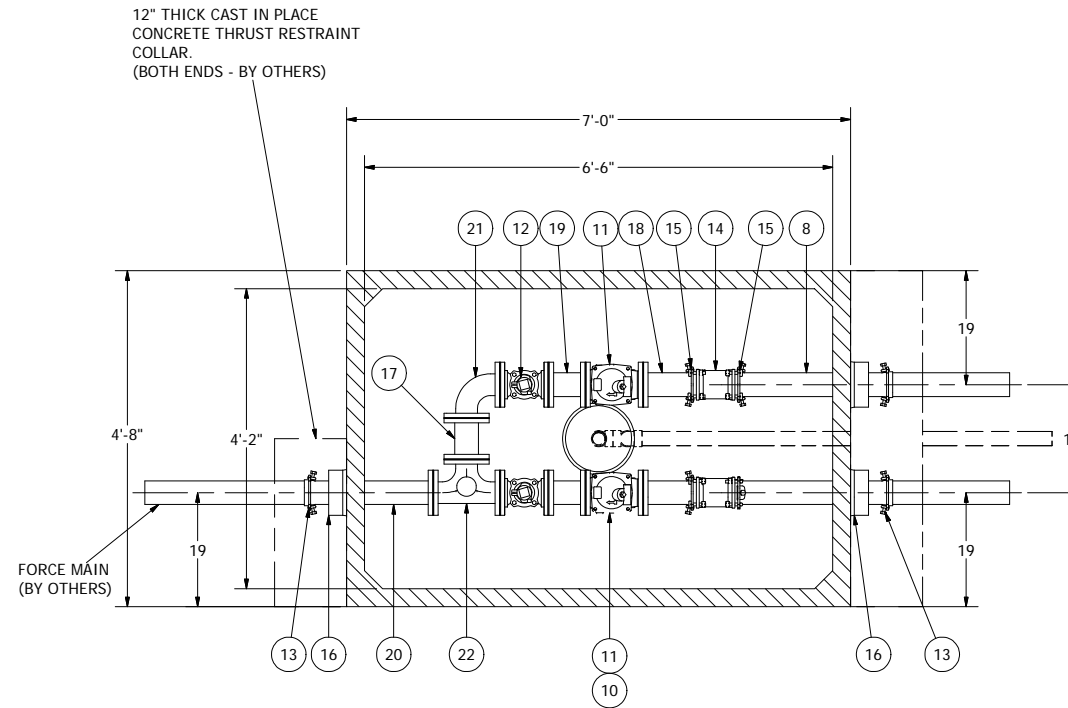
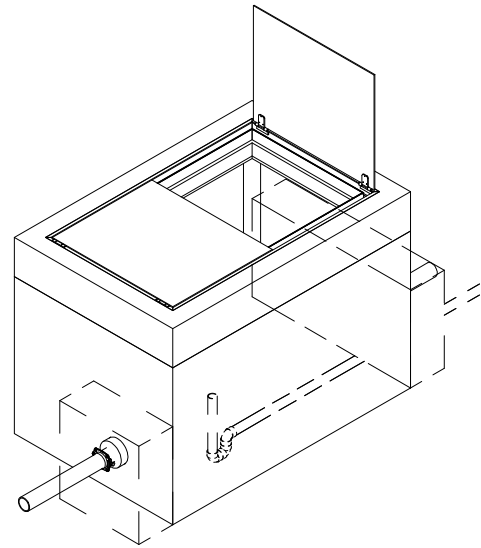
| REV | DESCRIPTION                           | DATE     | APPROV |
|-----|---------------------------------------|----------|--------|
| 1   | COMPONENT DRAWING                     | 12/10/10 | AM     |
| 2   | CHANGED TO TSURUMI PUMPS              | 12/21/10 | AM     |
| 3   | UPDATE PER COMMENTS                   | 02/11/11 | AM     |
| 4   | ADDED INLET PIPE AT 4891.22'          | 3/29/11  | AD     |
| 5   | CHANGED TO SHP PUMPS AFTER F.M. MODEL | 9/12/11  | AD     |
| 6   | REVISED PER COMMENTS                  | 11/3/11  | AD     |
| 7   | REVISED PER 11/8/11 COMMENTS          | 11/10/11 | AD     |
| 8   | REVISED FOR PRODUCTION LAUNCH         | 12/6/11  | AD     |

VERIFY SCALE  
BAR IS ONE INCH ON ORIGINAL DRAWING  
0  
1"  
IF NOT ONE INCH ON THIS SHEET ADJUST SCALES PROPORTIONALLY  
DSN - AM  
DRN - AM  
CKD -  
DATE - 12/10/10

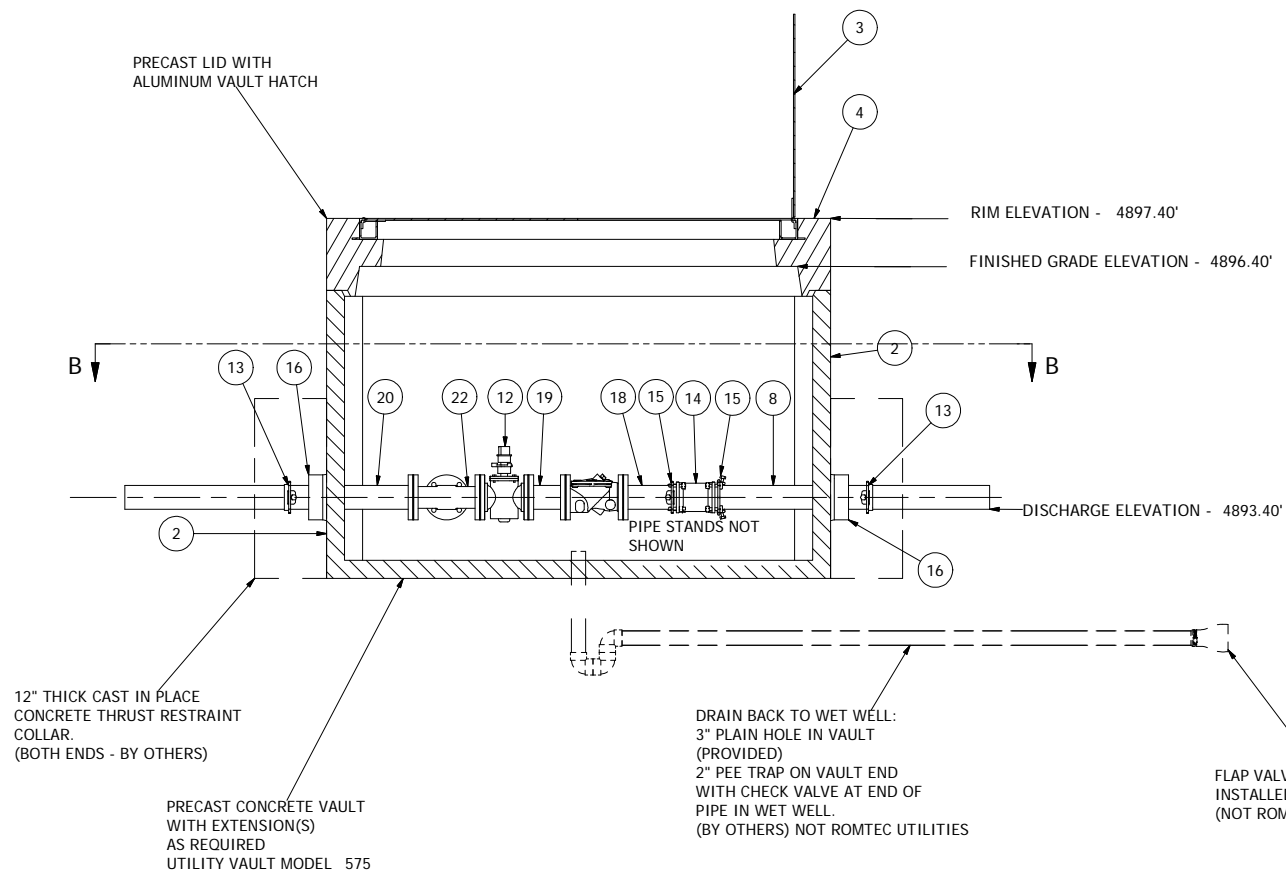
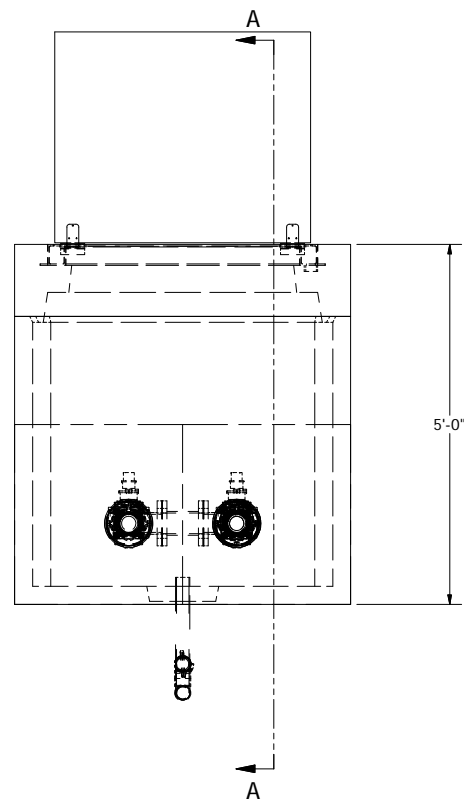
**ROMTEC UTILITIES**  
18240 NORTH BANK ROAD  
ROSEBURG, OREGON 97470  
(541) 496-9678  
FAX (541) 496-0804

BECKWORTH FIRESTATION  
3" - 5' DIA WET WELL

SHEET  
1 OF 1  
JOB NUMBER  
RMTC  
0000



NOTE: VAULT TOP SLAB IS PEDESTRIAN RATED



575 VALVE VAULT  
3in PIPING AND VALVES

NOTE: ALL DIMENSIONS AND ELEVATIONS SHOWN ARE NOMINAL DIMENSIONS. IT IS THE RESPONSIBILITY OF THE ON-SITE CONTRACTOR OR ROMTEC UTILITIES CUSTOMER (NOT ROMTEC UTILITIES) TO VERIFY THE ACCURACY OF ANY CRITICAL DIMENSIONS OR ELEVATIONS PRIOR TO SETTING OR INSTALLING ANY EQUIPMENT.

VERIFY SCALE  
BAR IS ONE INCH ON ORIGINAL DRAWING  
1"  
0 IF NOT ONE INCH ON THIS SHEET ADJUST SCALES ACCORDINGLY

COMPONENT DRAWING

**ROMTEC UTILITIES**  
18240 NORTH BANK ROAD  
ROSEBURG, OREGON 97470  
(541) 496-9678  
FAX (541) 496-0804

BECKWORTH FIRESTATION  
3" - 575 VALVE VAULT

SHEET  
2 OF 2

JOB NUMBER  
RMTC  
0000

| REV | DESCRIPTION                  | DATE     | APPROV |
|-----|------------------------------|----------|--------|
| 2   | REVISED PER 11/8/11 COMMENTS | 11-10-11 | AD     |
| 1   | COMPONENT DRAWING            | 11-3-11  | AD     |
| REV |                              |          |        |

REVISION HISTORY