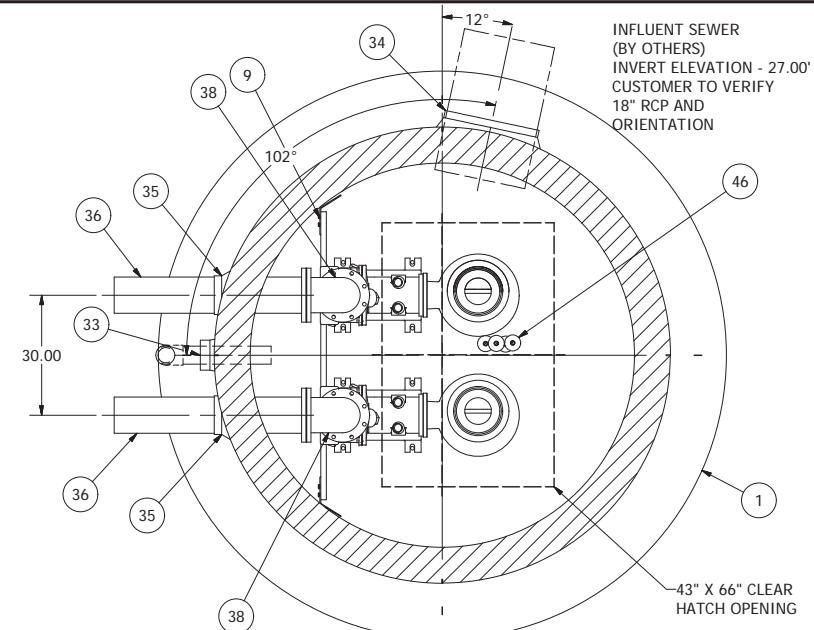
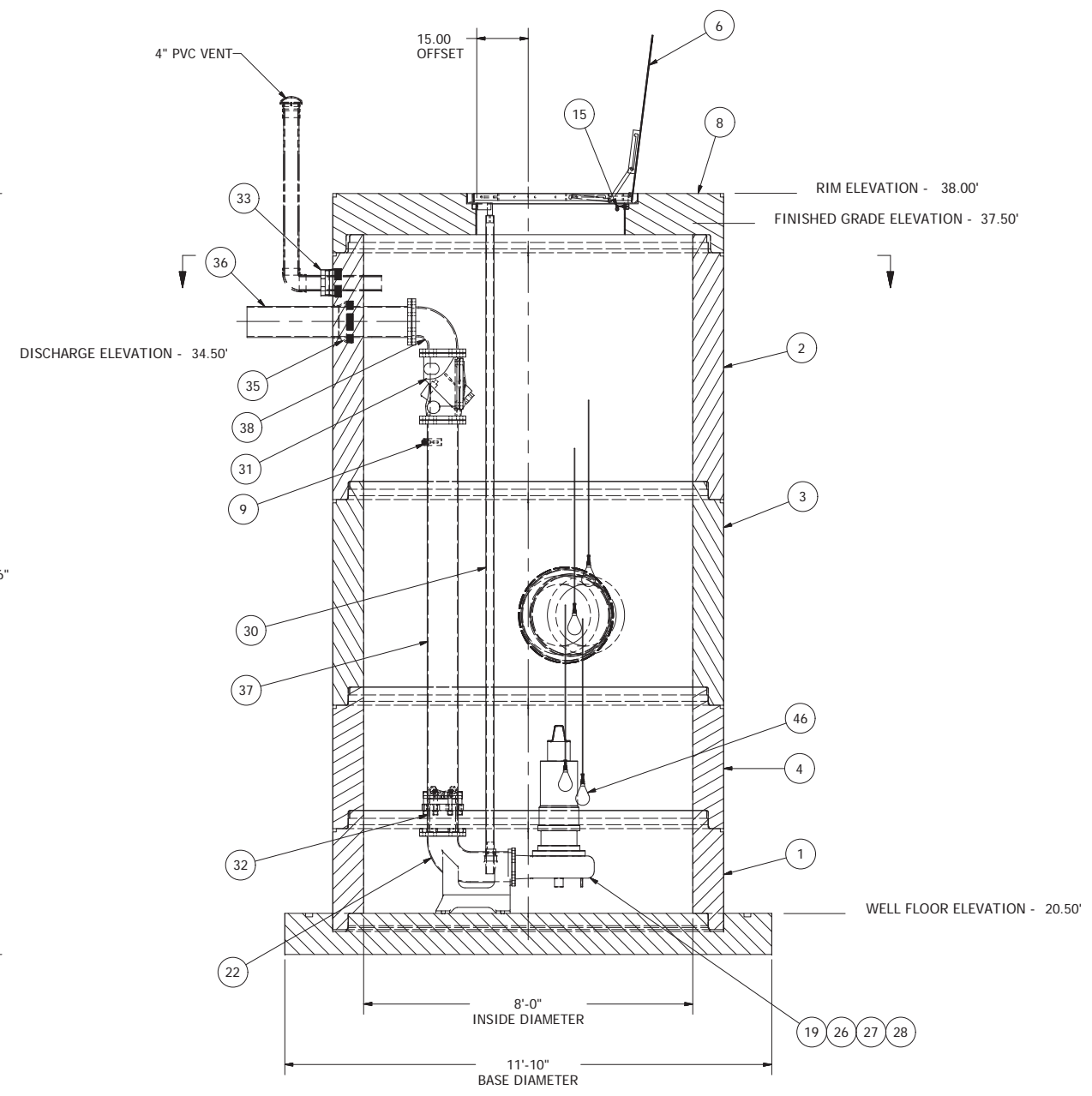
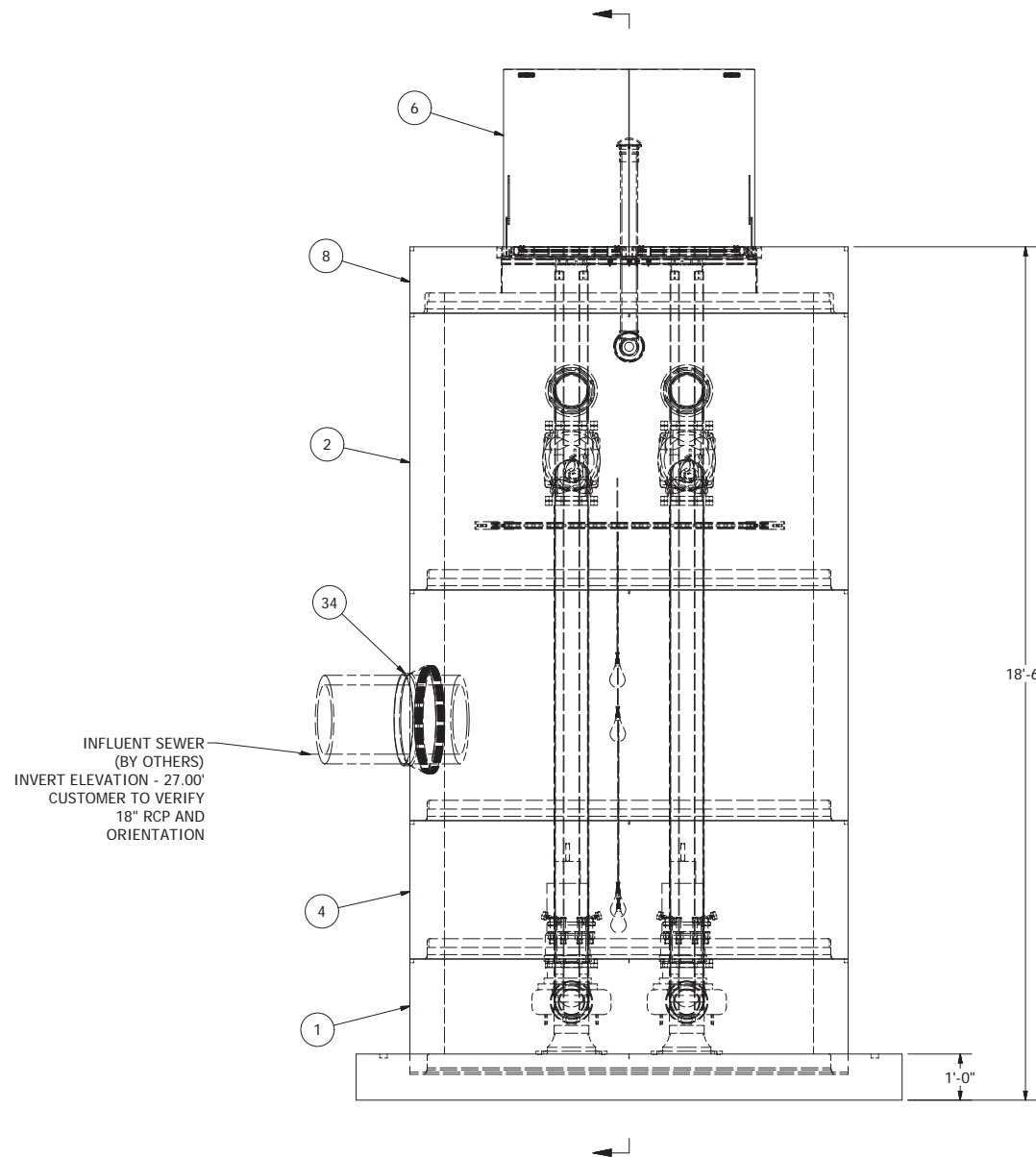


SENSOR AND ELEVATION TABLE		
LEVEL ELEVATION	DISTANCE BETWEEN POINTS	SET POINT DESCRIPTION
27.00		SEWER INVERT IN
34.00		HIGH LEVEL ALARM
33.50	0.50	SENSOR SPACING
		LAG PUMP START
33.00	0.50	SENSOR SPACING
		LEAD PUMP START
23.00	10.00	SENSOR SPACING
		PUMP STOP
20.50	2.50	DISTANCE TO FLOOR
		FLOOR ELEVATION



NOTE: WET WELL TOP SLAB IS PEDESTRIAN RATED



NOTE: ALL DIMENSIONS AND ELEVATIONS SHOWN ARE NOMINAL DIMENSIONS. IT IS THE RESPONSIBILITY OF THE ON-SITE CONTRACTOR OR ROMTEC UTILITIES CUSTOMER (NOT ROMTEC UTILITIES) TO VERIFY THE ACCURACY OF ANY CRITICAL DIMENSIONS OR ELEVATIONS PRIOR TO SETTING OR INSTALLING ANY EQUIPMENT.

**8' DIAMETER WET WELL
8" DISCHARGE PIPING
200DLFU EBARA PUMPS**

ALL MATERIALS SHOWN ON THIS SHEET WILL BE SUPPLIED BY ROMTEC UTILITIES AND DELIVERED TO THE SITE AFTER THE HOLE HAS BEEN EXCAVATED AND SHORED. THE CONTRACTOR SHALL SUPPLY A CRANE OF SUFFICIENT SIZE TO LOWER ALL THE CONCRETE PIECES INTO THE HOLE SAFELY. THE CONTRACTOR SHALL INSTALL THE WET WELL (AND VALVE VAULT AND METERING VAULT IF APPLICABLE). ROMTEC UTILITIES WILL PROVIDE A REPRESENTATIVE FOR TECHNICAL ASSISTANCE ON THE DAY OF INSTALLATION TO ANSWER ANY QUESTIONS THAT MAY ARISE. THE CONTRACTOR IS RESPONSIBLE FOR ALL PLUMBING AND ELECTRICAL CONNECTIONS AND INSTALLATION. ITEMS NOTED AS "BY OTHERS" WILL BE PROVIDED AND INSTALLED BY THE CONTRACTOR. ROMTEC UTILITIES WILL NOT INSTALL ANY OF THE COMPONENTS SHOWN ON THIS PAGE.

© 2009 ROMTEC INC. ALL RIGHTS RESERVED. THESE PLANS AND DRAWINGS MAY NOT BE REPRODUCED, ADAPTED, OR FURTHER DISTRIBUTED, AND NO COMPONENTS MAY BE CONSTRUCTED FROM THESE PLANS, WITHOUT WRITTEN PERMISSION OF ROMTEC, INC.

REV	DESCRIPTION	DATE	APPROV
5	CHANGED ORIENTATION TO MATCH PLANS, CHANGED INLET PIPE TO 18" RCP	04/11/11	AM
4	ITEM 34 KOP-N-SEAL WAS 24IN CORE	11/29/10	AD
3	CHANGED TO EBARA PUMPS	01/08/10	AM
2	INFLUENT ELEVATION WAS 29.00'	09/04/09	AM
1	COMPONENT DRAWING		

REVISION HISTORY

VERIFY SCALE
BAR IS ONE INCH ON ORIGINAL DRAWING

1" = 1'-0"

IF NOT ONE INCH ON THIS SHEET, ADJUST SCALES ACCORDINGLY

DSN - AM
DIRN - AM
CKD - AM
DATE - 09/03/09

COMPONENT DRAWING

ROMTEC UTILITIES
18240 NORTH BANK ROAD
ROSEBURG, OREGON 97470
(541) 496-9678
FAX (541) 496-0804

AECOM
MICHAEL IP

CSUCI ENTRANCE ROAD IMPROV

8" - 8' DIA WET WELL

SHEET
1 OF 1

JOB NUMBER
**RMTC
0000**