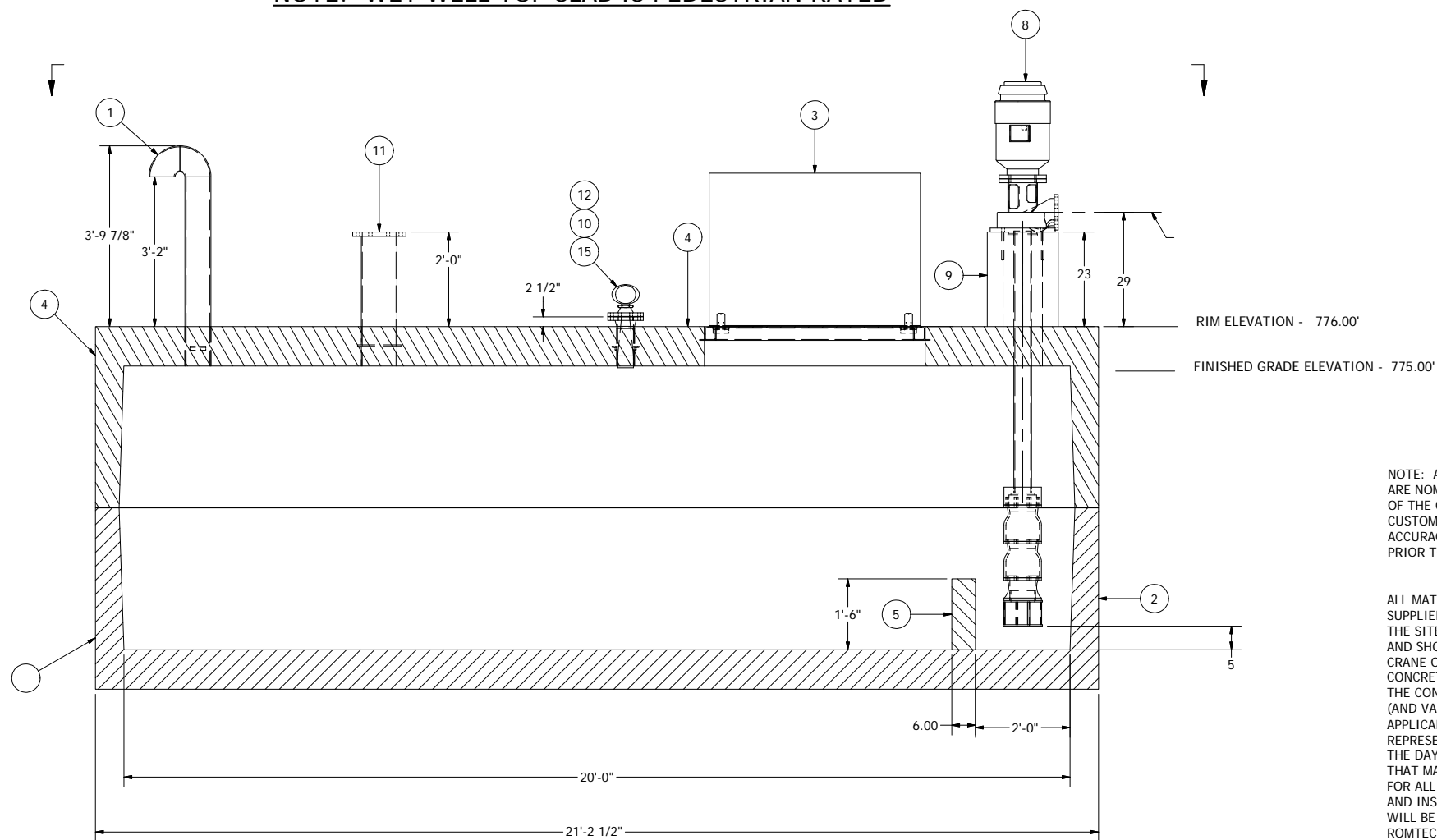
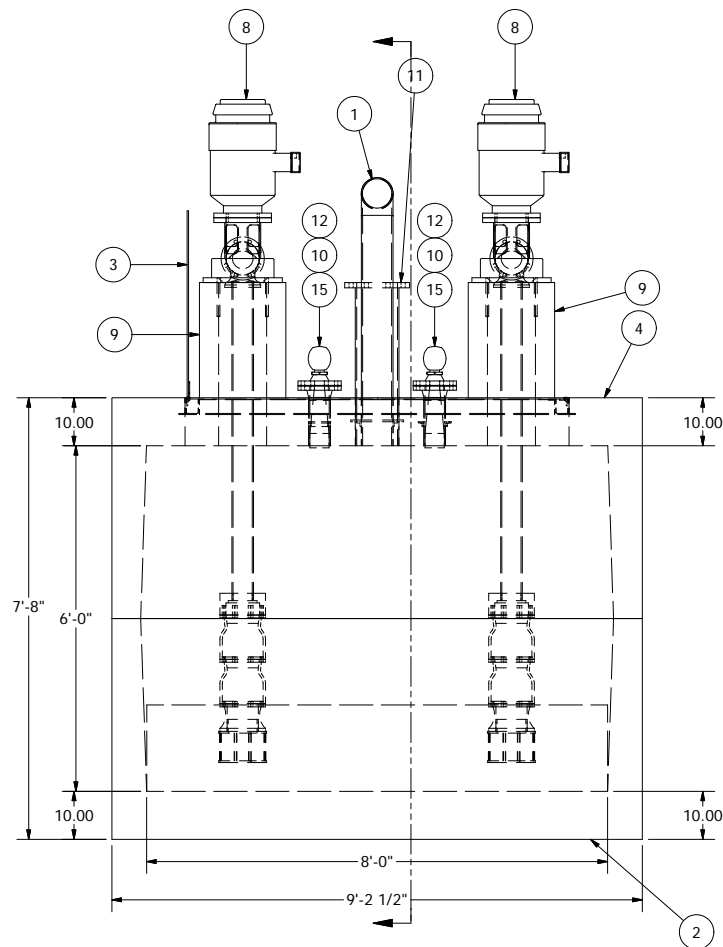


**NOTE: WET WELL TOP SLAB IS PEDESTRIAN RATED**



NOTE: ALL DIMENSIONS AND ELEVATIONS SHOWN ARE NOMINAL DIMENSIONS. IT IS THE RESPONSIBILITY OF THE ON-SITE CONTRACTOR OR ROMTEC UTILITIES CUSTOMER (NOT ROMTEC UTILITIES) TO VERIFY THE ACCURACY OF ANY CRITICAL DIMENSIONS OR ELEVATIONS PRIOR TO SETTING OR INSTALLING ANY EQUIPMENT.

ALL MATERIALS SHOWN ON THIS SHEET WILL BE SUPPLIED BY ROMTEC UTILITIES AND DELIVERED TO THE SITE AFTER THE HOLE HAS BEEN EXCAVATED AND SHORED. THE CONTRACTOR SHALL SUPPLY A CRANE OF SUFFICIENT SIZE TO LOWER ALL THE CONCRETE PIECES INTO THE HOLE SAFELY. THE CONTRACTOR SHALL INSTALL THE WET WELL (AND VALVE VAULT AND METERING VAULT IF APPLICABLE). ROMTEC UTILITIES WILL PROVIDE A REPRESENTATIVE FOR TECHNICAL ASSISTANCE ON THE DAY OF INSTALLATION TO ANSWER ANY QUESTIONS THAT MAY ARISE. THE CONTRACTOR IS RESPONSIBLE FOR ALL PLUMBING AND ELECTRICAL CONNECTIONS AND INSTALLATION. ITEMS NOTED AS "BY OTHERS" WILL BE PROVIDED AND INSTALLED BY THE CONTRACTOR. ROMTEC UTILITIES WILL NOT INSTALL ANY OF THE COMPONENTS SHOWN ON THIS PAGE.

© 2011 ROMTEC INC. ALL RIGHTS RESERVED. THESE PLANS AND DRAWINGS MAY NOT BE REPRODUCED, ADAPTED, OR FURTHER DISTRIBUTED, AND NO COMPONENTS MAY BE CONSTRUCTED FROM THESE PLANS, WITHOUT WRITTEN PERMISSION OF ROMTEC, INC.

REV	DESCRIPTION	DATE	APPROV
6	ADDED DIMENSIONS	1-24-12	AD
5	UPDATE FOR PRODUCTION LAUNCH	1-9-12	AD
4	UPDATE STRUCTURE TO MATCH PRECAST DESIGN	12-2-11	AD
3	UPDATE PER COMMENTS	11/21/11	AD
2	UPDATE PER COMMENTS	10/27/11	AM
1	COMPONENT DRAWING	10/13/11	AM
	REVISION HISTORY		

DRAWING GEOMETRY IS ACCURATE AND FIT TO THE SHEET. DO NOT SCALE THIS DRAWING.

**COMPONENT DRAWING**

**ROMTEC UTILITIES**  
 18240 NORTH BANK ROAD  
 ROSEBURG, OREGON 97470  
 (541) 496-9678  
 FAX (541) 496-0804

**EHP COGEN OF 4" - TURBINE PUMP VAULT**

SHEET  
**1 OF 1**  
 JOB NUMBER  
**RMTC 0000**