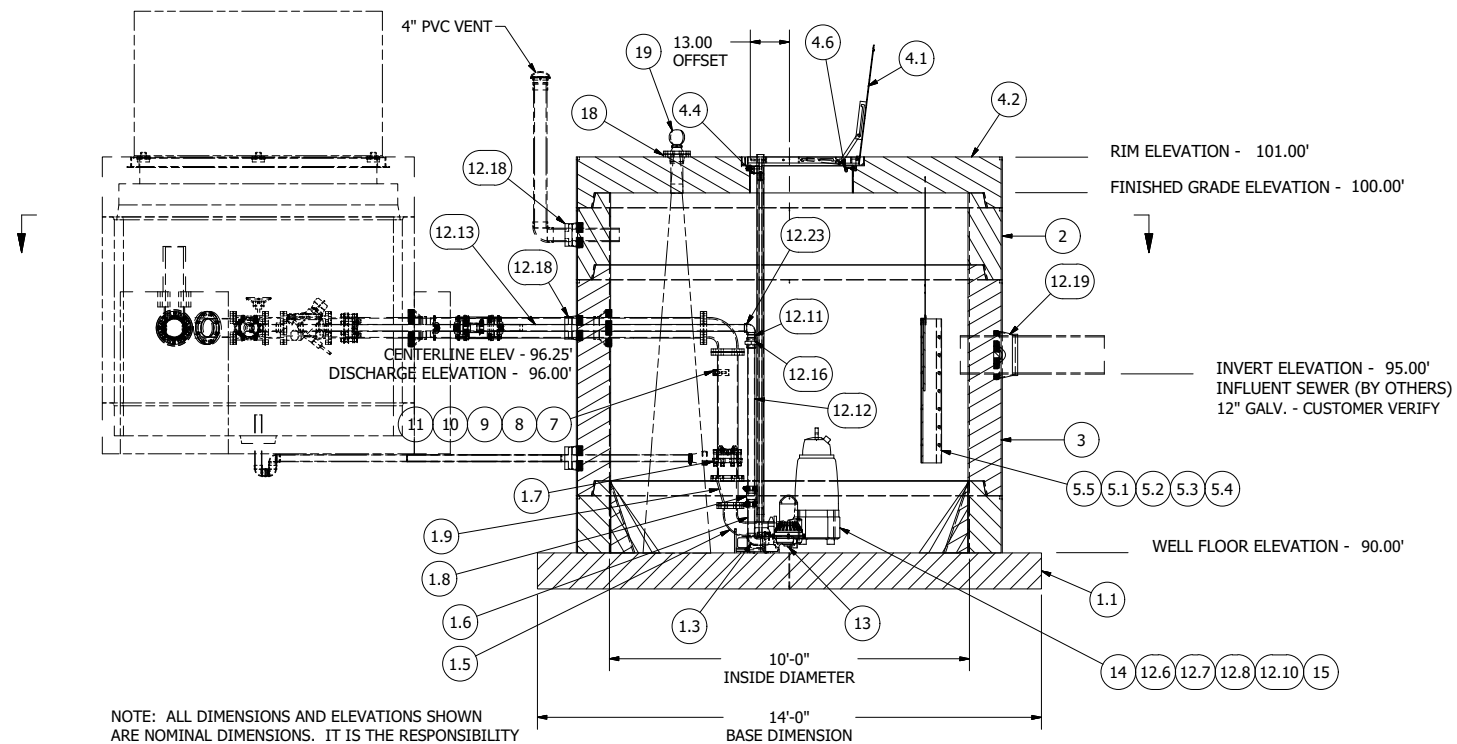
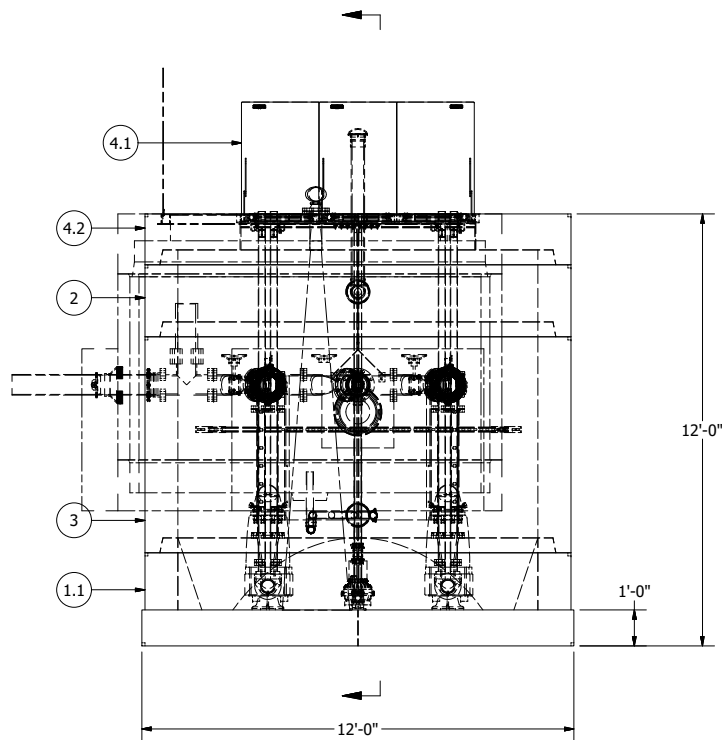


**NOTE: WET WELL TOP SLAB IS PEDESTRIAN RATED**



NOTE: ALL DIMENSIONS AND ELEVATIONS SHOWN ARE NOMINAL DIMENSIONS. IT IS THE RESPONSIBILITY OF THE ON-SITE CONTRACTOR OR ROMTEC UTILITIES CUSTOMER (NOT ROMTEC UTILITIES) TO VERIFY THE ACCURACY OF ANY CRITICAL DIMENSIONS OR ELEVATIONS PRIOR TO SETTING OR INSTALLING ANY EQUIPMENT.

© 2011 ROMTEC INC. ALL RIGHTS RESERVED. THESE PLANS AND DRAWINGS MAY NOT BE REPRODUCED, ADAPTED, OR FURTHER DISTRIBUTED, AND NO COMPONENTS MAY BE CONSTRUCTED FROM THESE PLANS, WITHOUT WRITTEN PERMISSION OF ROMTEC, INC.

ALL MATERIALS SHOWN ON THIS SHEET WILL BE SUPPLIED BY ROMTEC UTILITIES AND DELIVERED TO THE SITE AFTER THE HOLE HAS BEEN EXCAVATED AND SHORED. THE CONTRACTOR SHALL SUPPLY A CRANE OF SUFFICIENT SIZE TO LOWER ALL THE CONCRETE PIECES INTO THE HOLE SAFELY. THE CONTRACTOR SHALL INSTALL THE WET WELL (AND VALVE VAULT AND METERING VAULT IF APPLICABLE). ROMTEC UTILITIES WILL PROVIDE A REPRESENTATIVE FOR TECHNICAL ASSISTANCE ON THE DAY OF INSTALLATION TO ANSWER ANY QUESTIONS THAT MAY ARISE. THE CONTRACTOR IS RESPONSIBLE FOR ALL PLUMBING AND ELECTRICAL CONNECTIONS AND INSTALLATION. ITEMS NOTED AS "BY OTHERS" WILL BE PROVIDED AND INSTALLED BY THE CONTRACTOR. ROMTEC UTILITIES WILL NOT INSTALL ANY OF THE COMPONENTS SHOWN ON THIS PAGE.

DRAWING GEOMETRY IS ACCURATE AND FIT TO THE SHEET. DO NOT SCALE THIS DRAWING.

DSN - AM  
DRN - AM  
CKD - AM  
DATE - 08/30/11

REV	DESCRIPTION	DATE	APPROV
6	ADDED RADAR LEVEL SENSOR	12/20/11	AD
5	REVISED SENSOR AND ELEVATION TABLE	11/23/11	AD
4	REVISED PER COMMENTS	11/18/11	AD
3	UPDATED FOR PRODUCTION LAUNCH	10/31/11	AD
2	ADDED JOCKEY PUMP	10/17/11	AM
1	COMPONENT DRAWING	08/30/11	AM

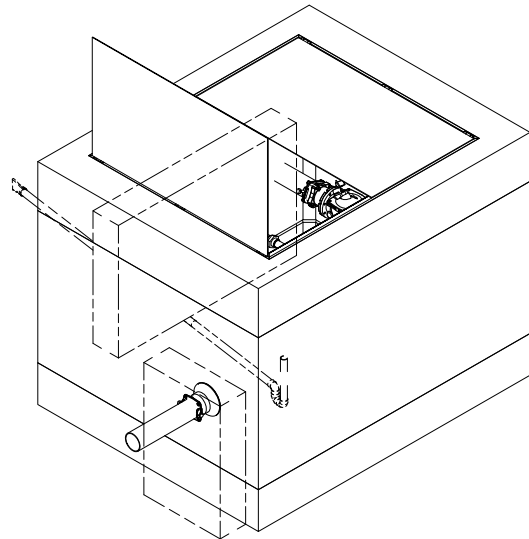
**COMPONENT DRAWING**

**ROMTEC UTILITIES**  
18240 NORTH BANK ROAD  
ROSEBURG, OREGON 97470  
(541) 496-9678  
FAX (541) 496-0804

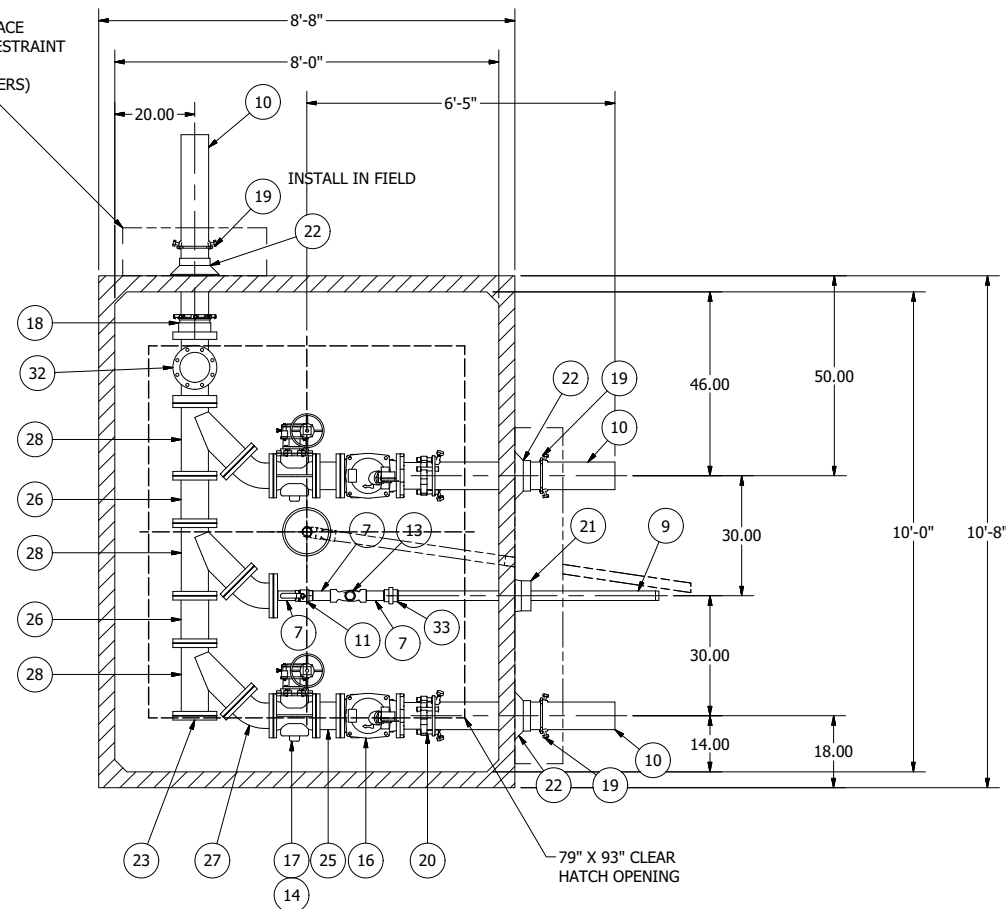
**PRAX AIR - ST CHARLES, LA**  
**6" - 10' DIA WET WELL**

SHEET  
**1 OF 2**

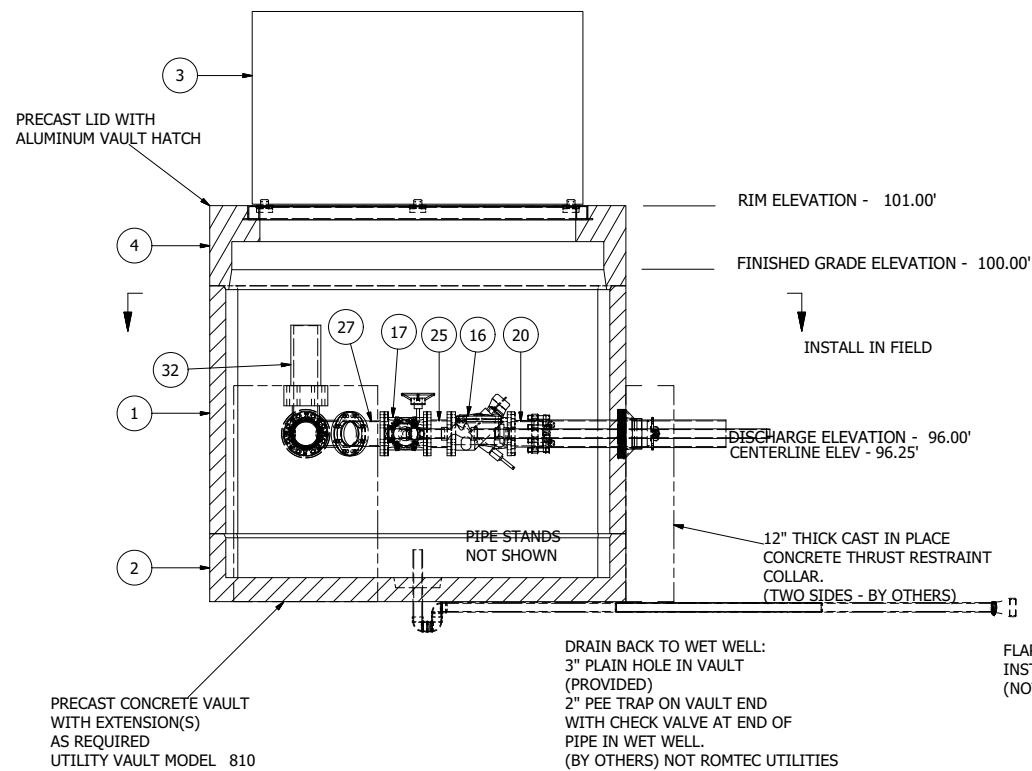
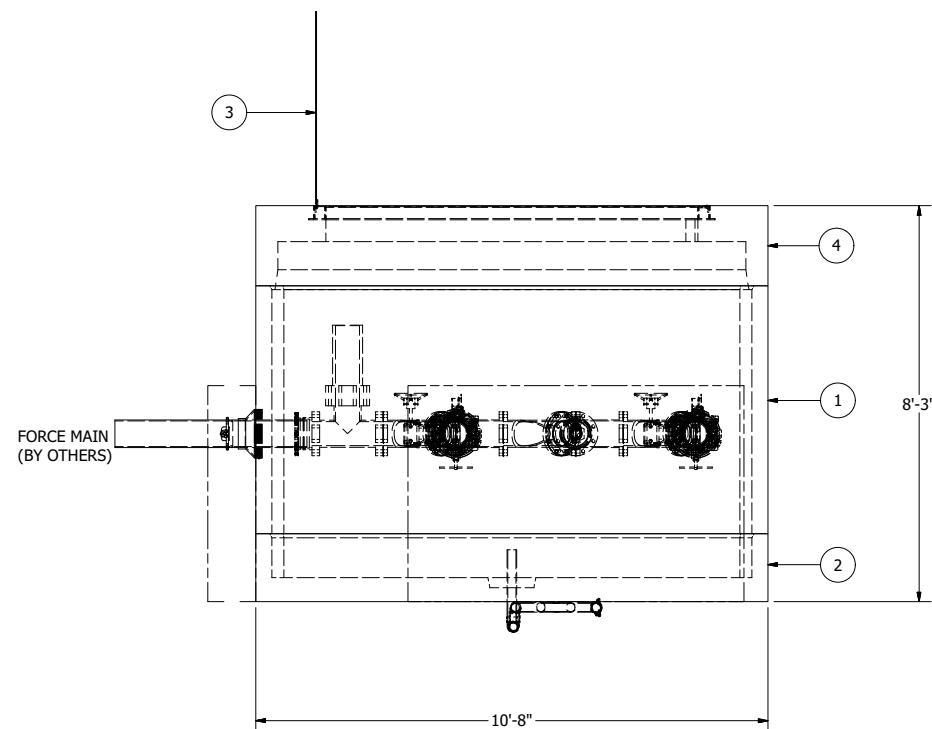
JOB NUMBER  
**RMTC 0000**



12" THICK CAST IN PLACE CONCRETE THRUST RESTRAINT COLLAR. (TWO SIDES - BY OTHERS)



**NOTE: VAULT TOP SLAB IS PEDESTRIAN RATED**



NOTE: ALL DIMENSIONS AND ELEVATIONS SHOWN ARE NOMINAL DIMENSIONS. IT IS THE RESPONSIBILITY OF THE ON-SITE CONTRACTOR OR ROMTEC UTILITIES CUSTOMER (NOT ROMTEC UTILITIES) TO VERIFY THE ACCURACY OF ANY CRITICAL DIMENSIONS OR ELEVATIONS PRIOR TO SETTING OR INSTALLING ANY EQUIPMENT.

**810 VALVE VAULT  
6" PIPING AND VALVES**

DRAIN BACK TO WET WELL:  
3" PLAIN HOLE IN VAULT (PROVIDED)  
2" PEE TRAP ON VAULT END WITH CHECK VALVE AT END OF PIPE IN WET WELL. (BY OTHERS) NOT ROMTEC UTILITIES

FLAP VALVE PROVIDED AND INSTALLED BY THE CONTRACTOR. (NOT ROMTEC UTILITIES)

© 2011 ROMTEC INC. ALL RIGHTS RESERVED. THESE PLANS AND DRAWINGS MAY NOT BE REPRODUCED, ADAPTED, OR FURTHER DISTRIBUTED, AND NO COMPONENTS MAY BE CONSTRUCTED FROM THESE PLANS, WITHOUT WRITTEN PERMISSION OF ROMTEC, INC.

DRAWING GEOMETRY IS ACCURATE AND FIT TO THE SHEET. DO NOT SCALE THIS DRAWING

REV	DESCRIPTION	DATE	APPROV
5	UPDATED DRAWING	12-5-11	AD
4	REVISED PER COMMENTS	11/18/11	AD
3	UPDATED FOR PRODUCTION LAUNCH	11/17/11	AD
2	CHANGED FOR 2" JOCKEY PUMP	10/17/11	AM
1	COMPONENT DRAWING	08/30/11	AM

**COMPONENT  
DRAWING**

**ROMTEC UTILITIES**  
18240 NORTH BANK ROAD  
ROSEBURG, OREGON 97470  
(541) 496-9678  
FAX (541) 496-0804

**PRAX AIR - ST CHARLES, LA  
6" - 810 VALVE VAULT**

SHEET  
**2 OF 2**

JOB NUMBER  
**RMTC  
0000**