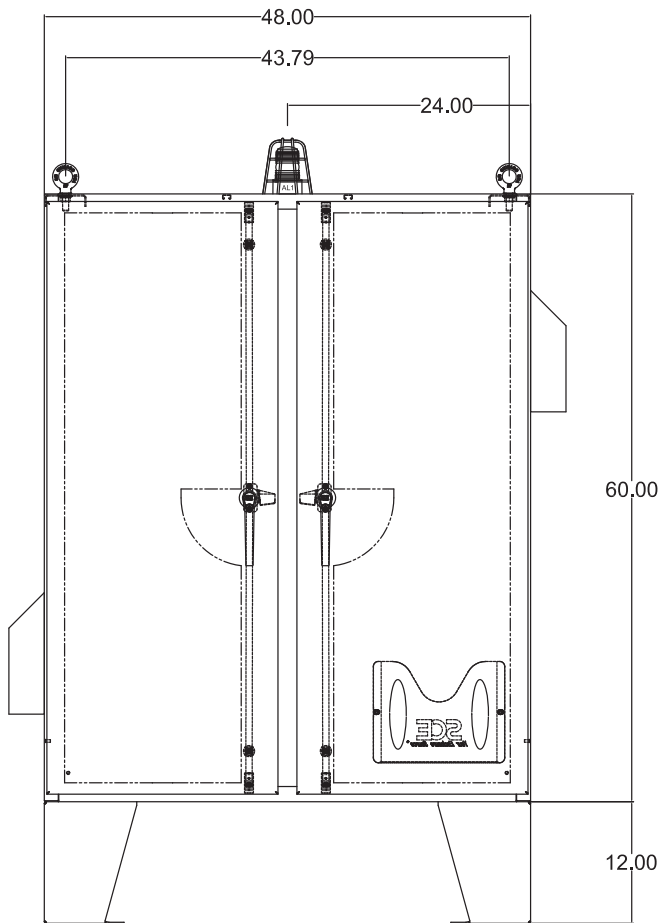
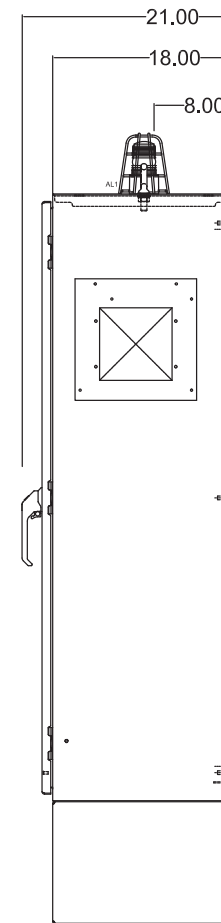


LEFT SIDE VIEW



FRONT VIEW



RIGHT SIDE VIEW

DRAWING NUMBER

REV. LET.		REVISIONS		DATE	REV. OR APPD. BY	LET.	REVISIONS		DATE	REV. OR APPD. BY	THIS DRAWING IS THE PROPERTY OF ROMTEC UTILITIES, INC. AND IS CONFIDENTIAL AND UNCLASSIFIED. IT IS NOT TO BE REPRODUCED, COPIED, OR DISCLOSED IN ANY MANNER WITHOUT THE EXPRESS WRITTEN PERMISSION OF ROMTEC UTILITIES, INC.		SALES REP: ROMTEC UTILITIES, INC. CUSTOMER:	DATE: 5/30/13 DESIGN: KAS DRAWN: KAS CHECK'D:	PROJECT NAME: BROWN STREET FILE NO: CONFIG NO: ADDRESS NO: PROJECT NUMBER DRAWING NUMBER
ROMTEC UTILITIES, INC. ROSEBURG, OREGON PHONE: 541-496-9678 FAX: 541-496-0804											APPRO'D:	SHEET 2 of 2			