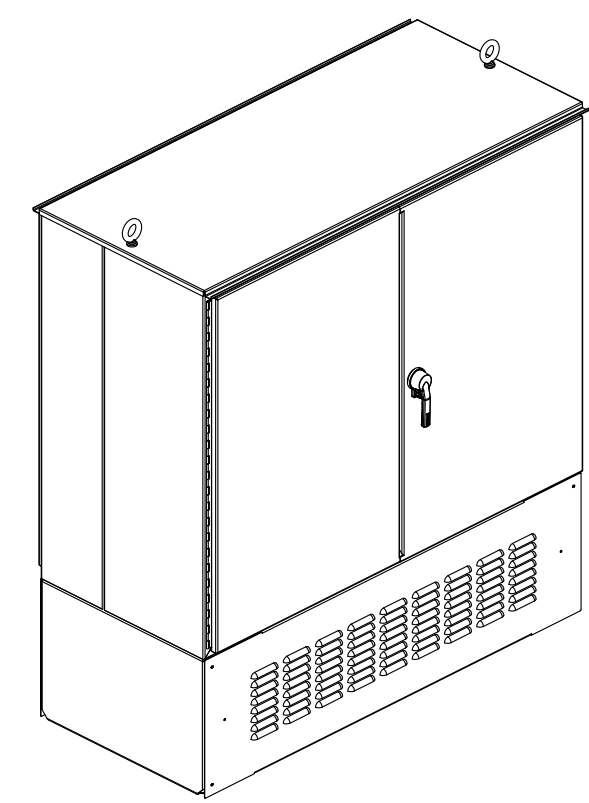
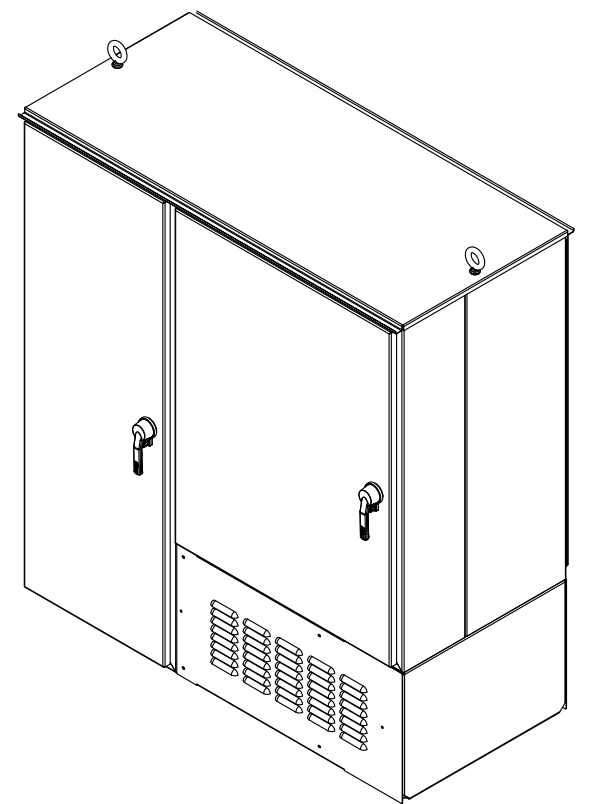
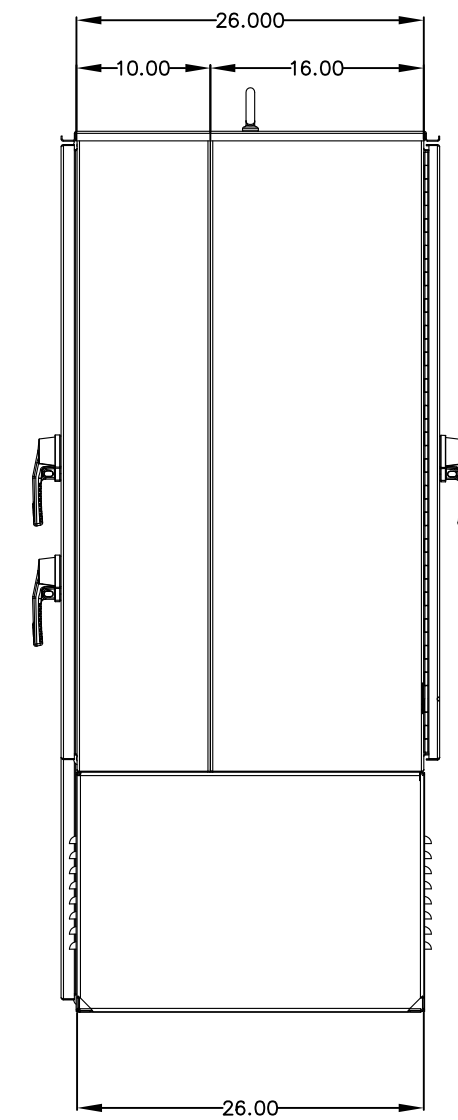
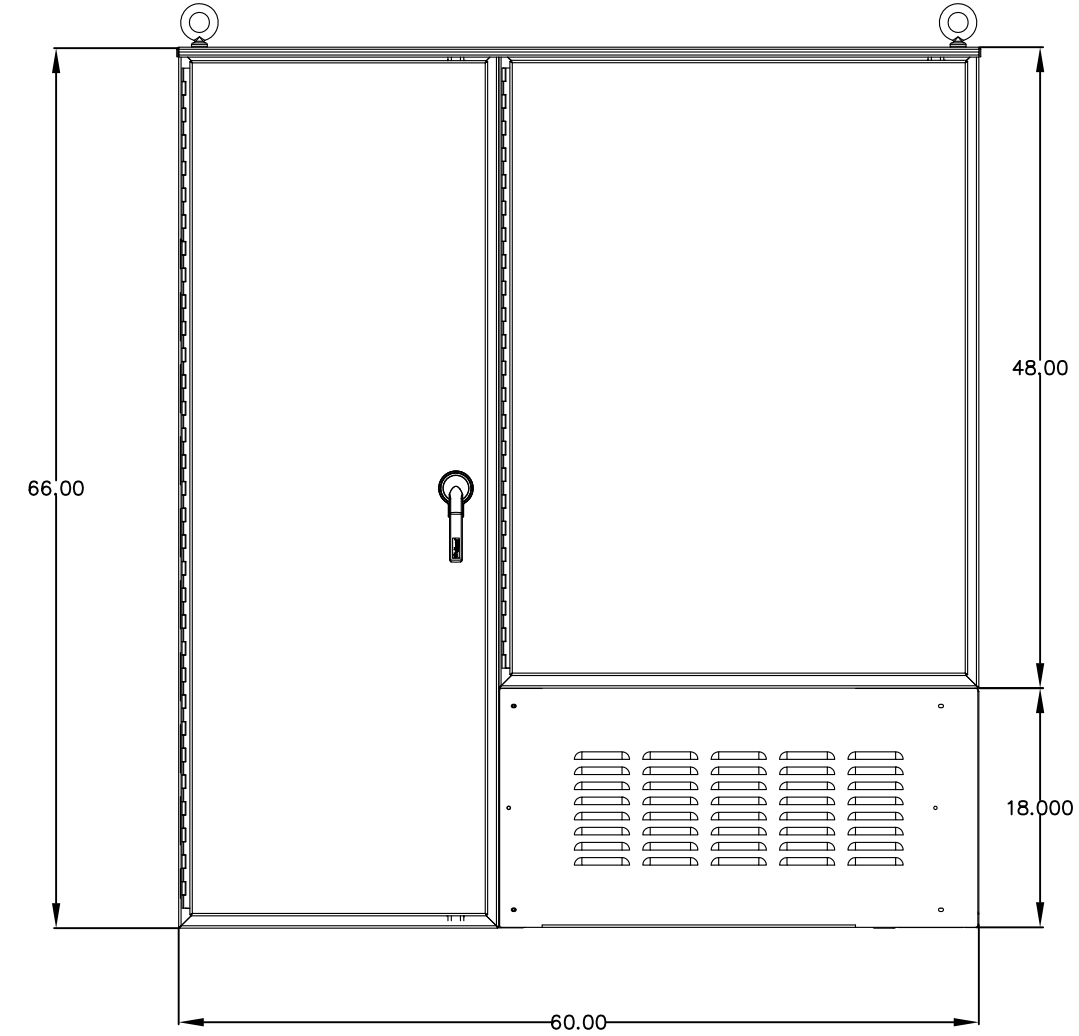


ENCLOSURE DRAWING

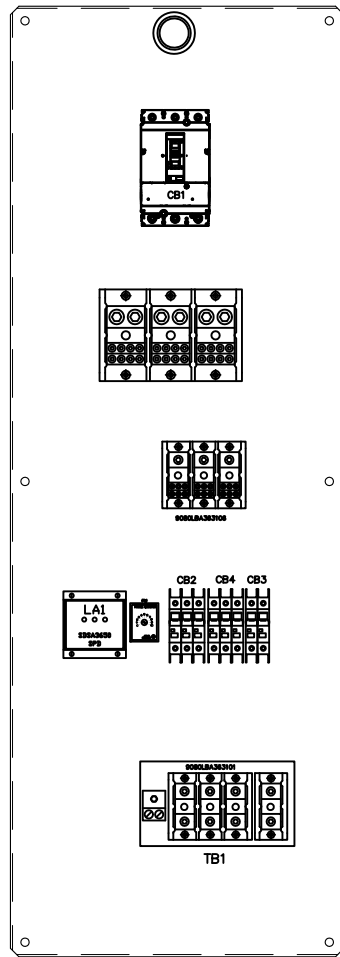
DRAWING NUMBER -----



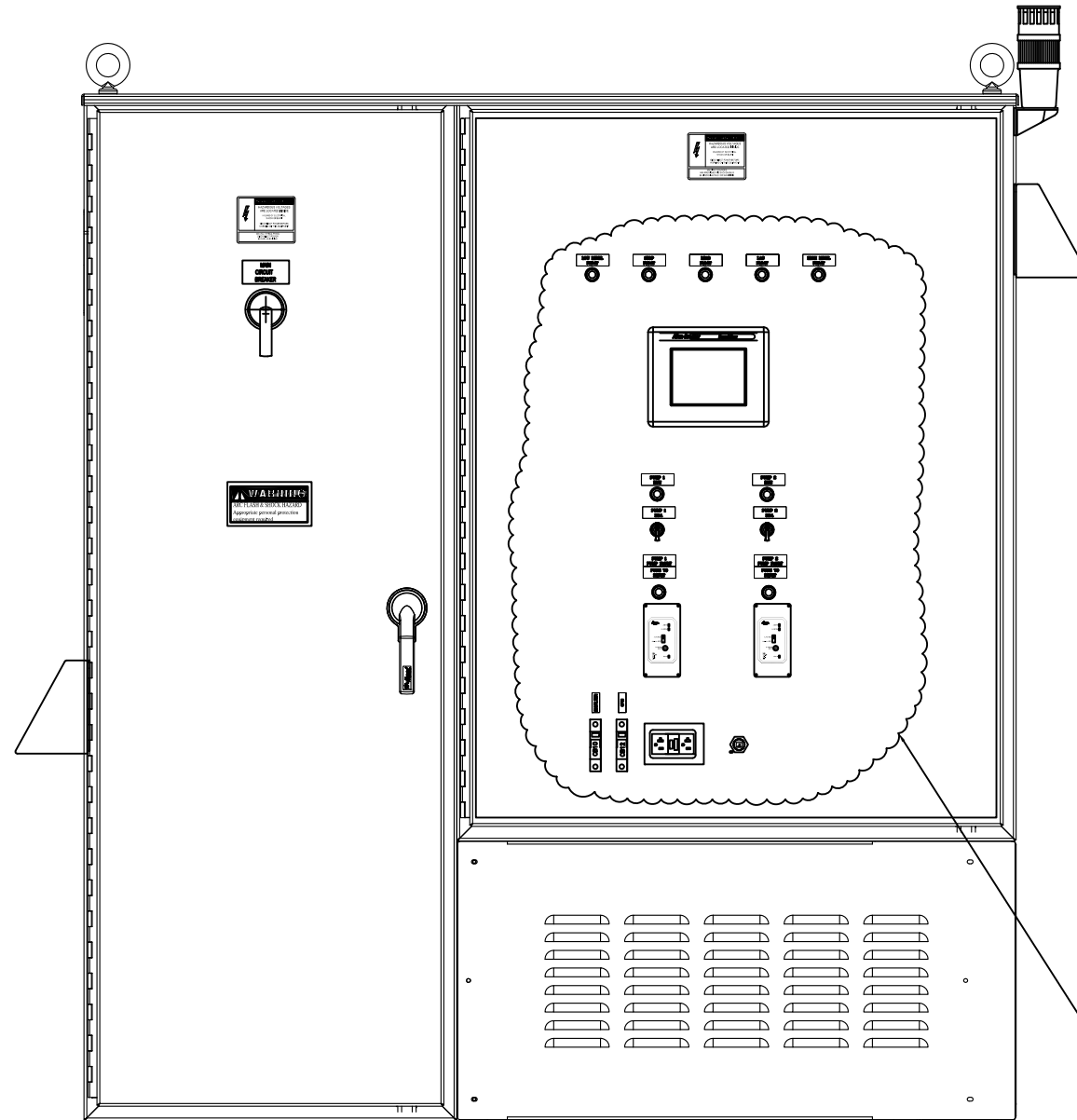
THE ENCLOSURE SHOWN REPRESENTS THE INTENT OF THE DESIGN. OFTEN THE ENCLOSURE SIZE AND LAYOUT MUST CHANGE TO ACCOMMODATE THE REQUIRED COMPONENTS AND FINAL DESIGN. PLEASE CONTACT ROMTEC UTILITIES TO OBTAIN ACTUAL AS-BUILT DRAWINGS BEFORE INSTALLATION.

REV OR APPD BY		REV. LET.		DATE		REV OR APPD BY		DATE		REV OR APPD BY		DATE		REV OR APPD BY		DATE		REV OR APPD BY		DATE	
<p>THIS DRAWING IS THE PROPERTY OF ROMTEC AND CONTAINS PROPRIETARY AND CONFIDENTIAL INFORMATION WHICH MUST NOT BE DUPLICATED, USED OR DISCLOSED OTHER THAN EXPRESSLY AUTHORIZED BY ROMTEC</p>																					
CUSTOMER:										<p>DATE 4/14/16</p> <p>DESIGN DESIGN</p> <p>PHONE: 541-496-9678</p> <p>DRWAN DRWAN</p> <p>CHK'D CHK'D</p> <p>APPR'D APPR'D</p> <p>ROMTEC</p> <p>ROMTEC UTILITIES, INC. ROSEBURG, OREGON</p>											
PROJECT NAME: CLEAR CREEK LS#2										<p>REV. A</p> <p>HP 35</p> <p>SIZE D</p> <p>SHEET 3 of 4</p>											
FILE NO:										CONFIG NO:											
ADDRESS NO:										PROJECT NUMBER											
DRAWING NUMBER										DRAWING NUMBER											

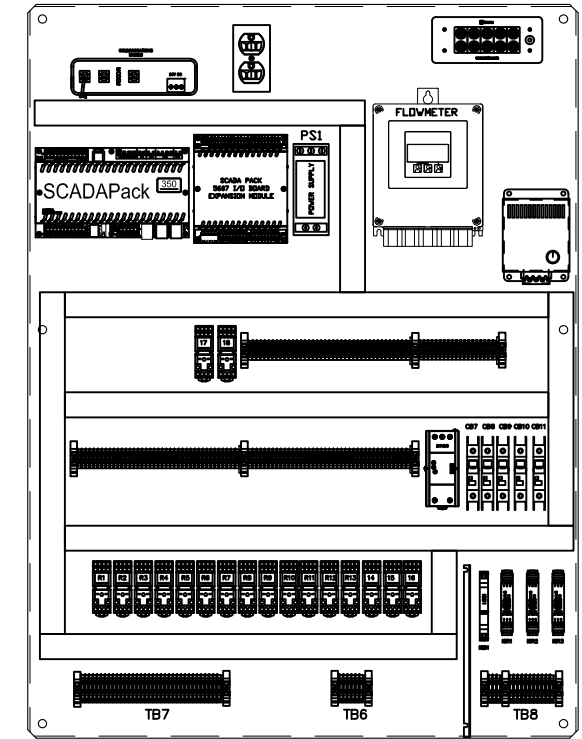
A
B
C
D
E
F
G
H



SERVICE ENTRANCE COMPARTMENT
BACKPANEL LAYOUT



CONTROL PANEL FRONT



CONTROL COMPARTMENT
BACKPANEL LAYOUT

EXTERIOR DOOR IS SHOWN
WITH A CUT-OUT TO
SHOW THE INNER DOOR

THE ENCLOSURE SHOWN REPRESENTS THE INTENT OF THE DESIGN. OFTEN THE ENCLOSURE SIZE AND LAYOUT MUST CHANGE TO ACCOMMODATE THE REQUIRED COMPONENTS AND FINAL DESIGN. PLEASE CONTACT ROMTEC UTILITIES TO OBTAIN ACTUAL AS-BUILT DRAWINGS BEFORE INSTALLATION.

REV OR APPD BY		REV. LET.	REVISIONS	DATE	REV OR APPD BY	THIS DRAWING IS THE PROPERTY OF ROMTEC AND CONTAINS PROPRIETARY AND CONFIDENTIAL INFORMATION WHICH MUST NOT BE DUPLICATED, USED OR DISCLOSED OTHER THAN EXPRESSLY AUTHORIZED BY ROMTEC ROMTEC ROMTEC UTILITIES, INC. ROSEBURG, OREGON	CUSTOMER: PHONE: 541-496-9678	DATE 4-14-16 DESIGN DESIGN DRAWN DRWAN CHK'D CHK'D APPR'D APPR'VD	REV. A HP 35 SIZE D	PROJECT NAME: CLEAR CREEK LS#1 FILE NO: CONFIG NO: ADDER NO: PROJECT NUMBER DRAWING NUMBER
----------------	--	-----------	-----------	------	----------------	--	----------------------------------	---	---------------------------	---

