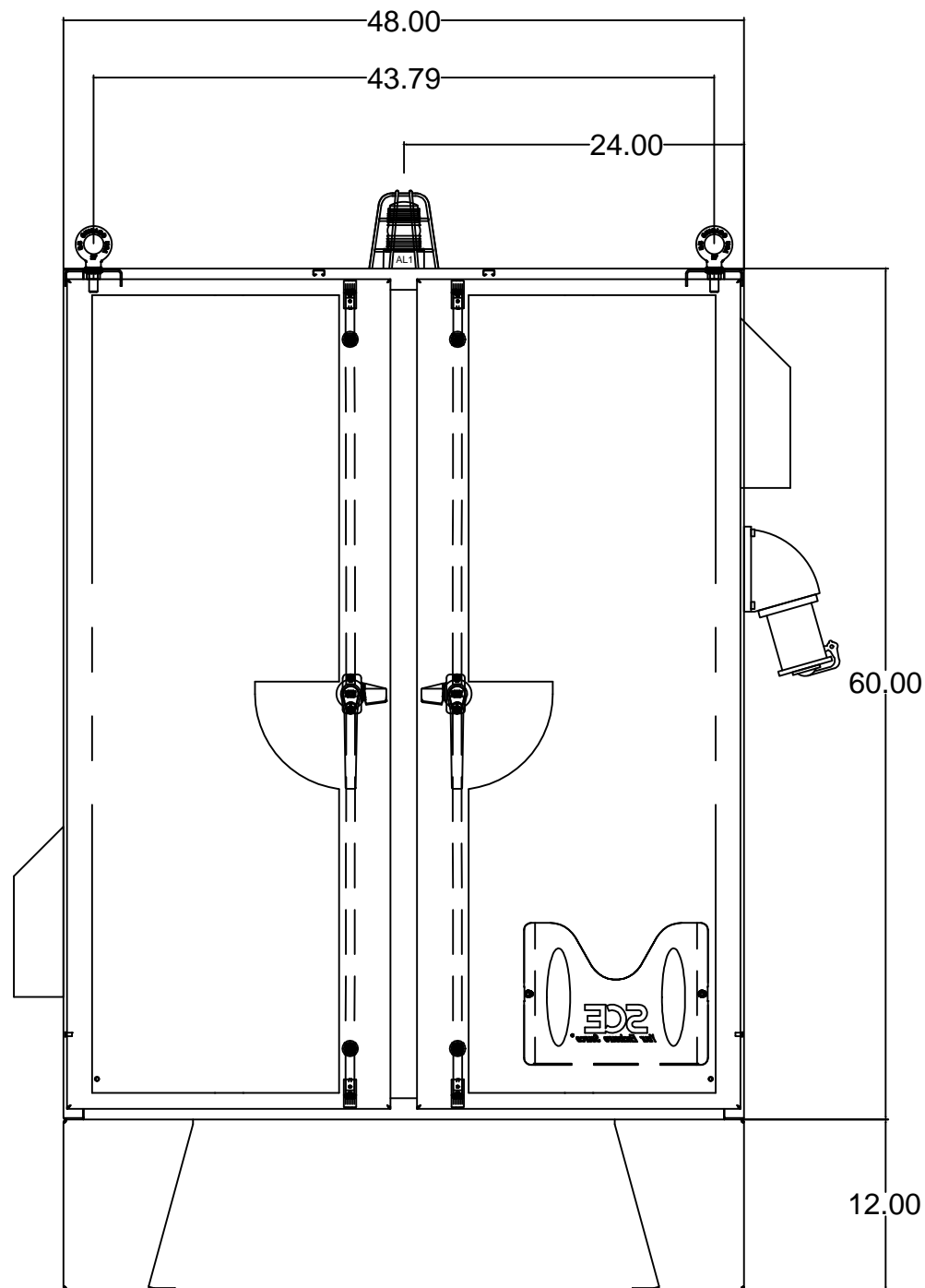
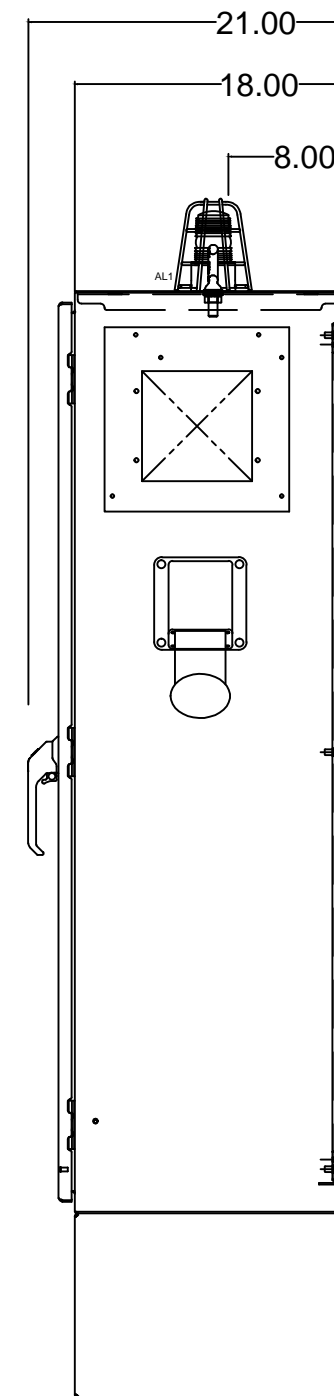


LEFT SIDE VIEW



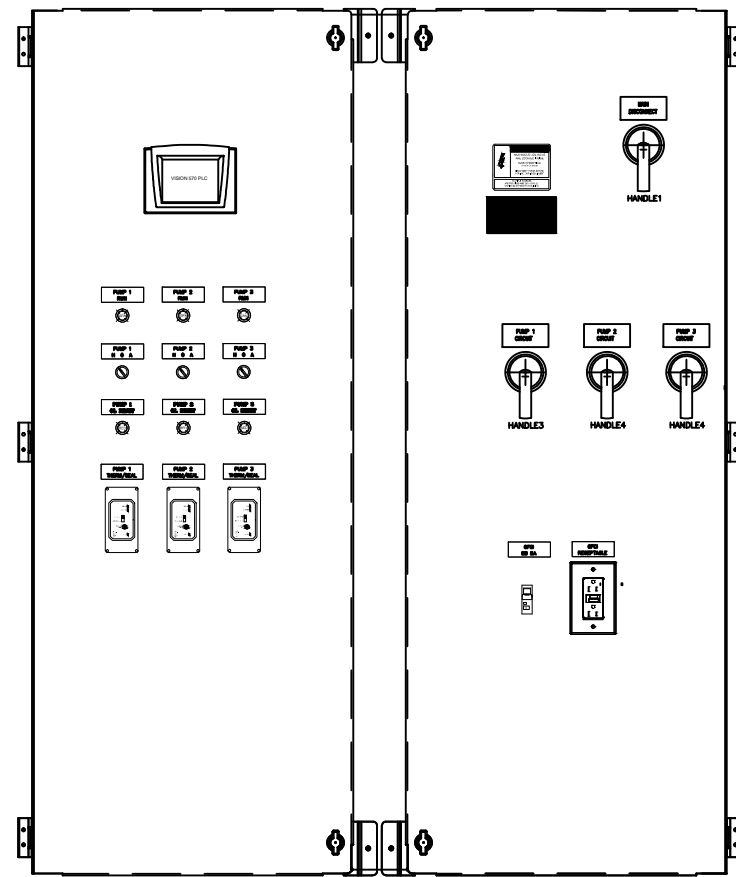
FRONT VIEW



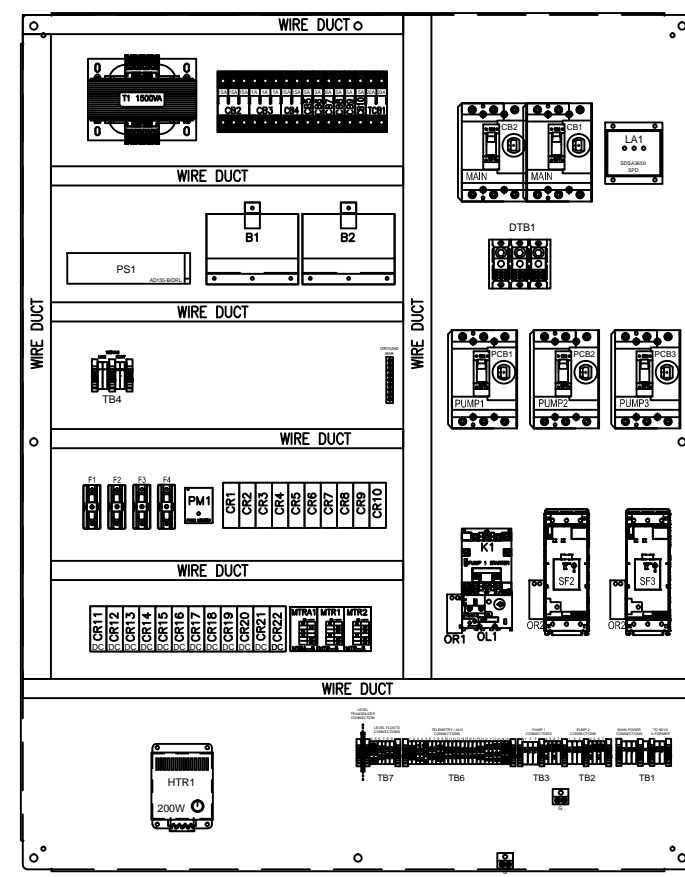
RIGHT SIDE VIEW

DRAWING NUMBER

REV. LET.		REVISIONS		DATE	REV OR APPD BY	REV. LET.	REVISIONS		DATE	REV OR APPD BY	THIS DRAWING IS THE PROPERTY OF ROMTEC AND CONTAINS PROPRIETARY AND CONFIDENTIAL INFORMATION WHICH MUST NOT BE DUPLICATED, USED OR DISCLOSED OTHER THAN EXPRESSLY AUTHORIZED BY ROMTEC SALES REP: ROMTEC UTILITIES, INC. PHONE: 541-496-9678 FAX: 541-496-0804 ROMTEC UTILITIES, INC. ROMTEC UTILITIES, INC. ROSEBURG, OREGON	DATE 1/16/15 DESIGN KAS DRAWN KAS CHK'D APPR'D SHEET 1 of 3	REV. 0 HP SIZE C	PROJECT NAME: SMITH ISLAND DRAINAGE FILE NO: CONFIG NO: ADDR NO: PROJECT NUMBER DRAWING NUMBER
-----------	--	-----------	--	------	----------------	-----------	-----------	--	------	----------------	---	--	------------------------	---



FRONT VIEW
SWING PANELS



FRONT VIEW
SUBPANEL

THE ENCLOSURE SHOWN REPRESENTS THE INTENT OF THE DESIGN. OFTEN THE ENCLOSURE SIZE AND LAYOUT MUST CHANGE TO ACCOMMODATE THE REQUIRED COMPONENTS AND FINAL DESIGN. PLEASE CONTACT ROMTEC UTILITIES TO OBTAIN ACTUAL AS-BUILT DRAWINGS BEFORE INSTALLATION.

DRAWING NUMBER

THIS DRAWING IS THE PROPERTY OF ROMTEC AND CONTAINS PROPRIETARY AND CONFIDENTIAL INFORMATION WHICH MUST NOT BE DUPLICATED, USED OR DISCLOSED OTHER THAN EXPRESSLY AUTHORIZED BY ROMTEC		SALES REP: ROMTEC UTILITIES, INC. CUSTOMER:		DATE: 1/16/15	REV. DESIGN	PROJECT NAME: SMITH ISLAND DRAINAGE		
		PHONE: 541-496-9678 FAX: 541-496-0804			HP	FILE NO: KAS		
		ROMTEC UTILITIES, INC. ROSEBURG, OREGON			SIZE	CONFIC NO: KAS		
						ADDR NO:		
						PROJECT NUMBER		
						DRAWING NUMBER		
REV. LET.	REVISIONS	DATE	REV OR APPD BY	REV. LET.	REVISIONS	DATE	REV OR APPD BY	SHEET 3 of 3