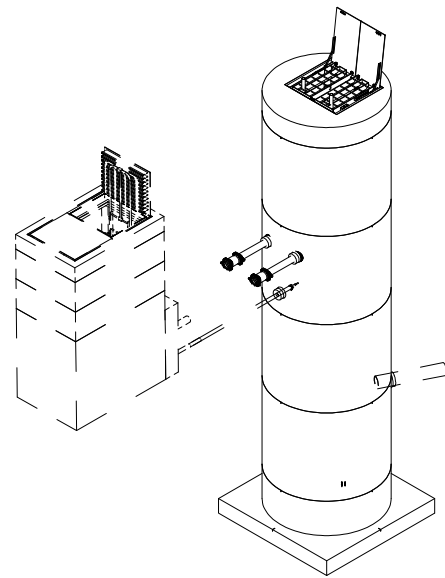
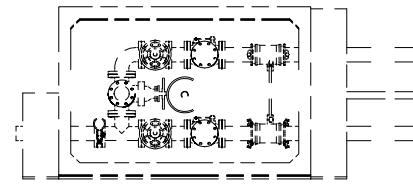


NOTE: WET WELL TOP SLAB IS H-20 OCCASIONAL TRAFFIC RATED

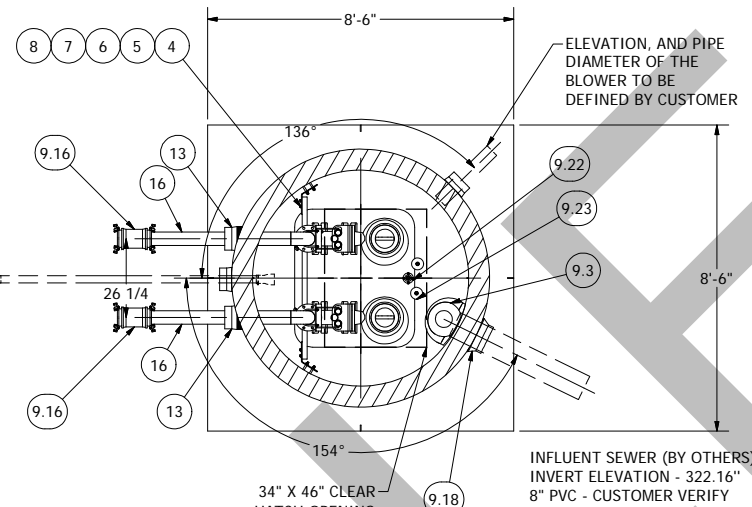


577 VALVE VAULT ASSEMBLY
SEE SHEET 2

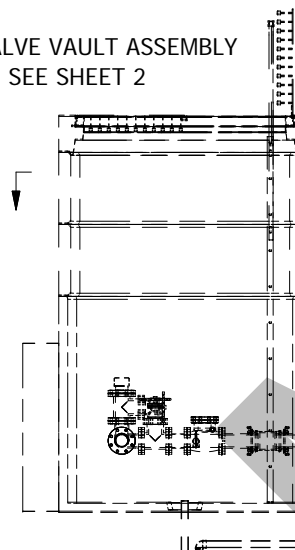
REFER TO SITE PLAN
FOR WET WELL,
VALVE VAULT, &
METER VAULT
ORIENTATION



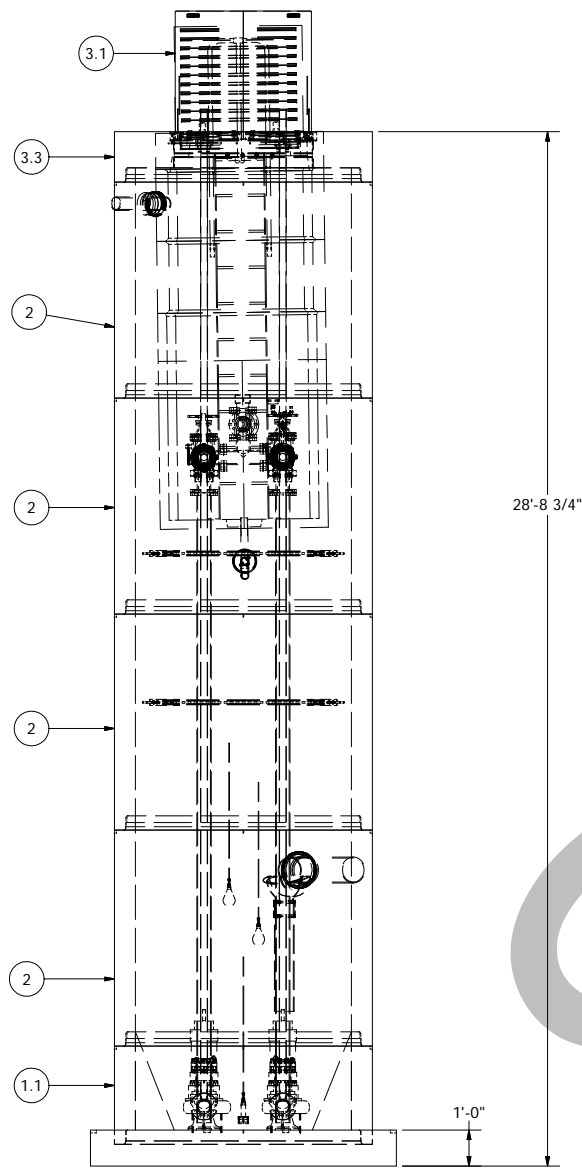
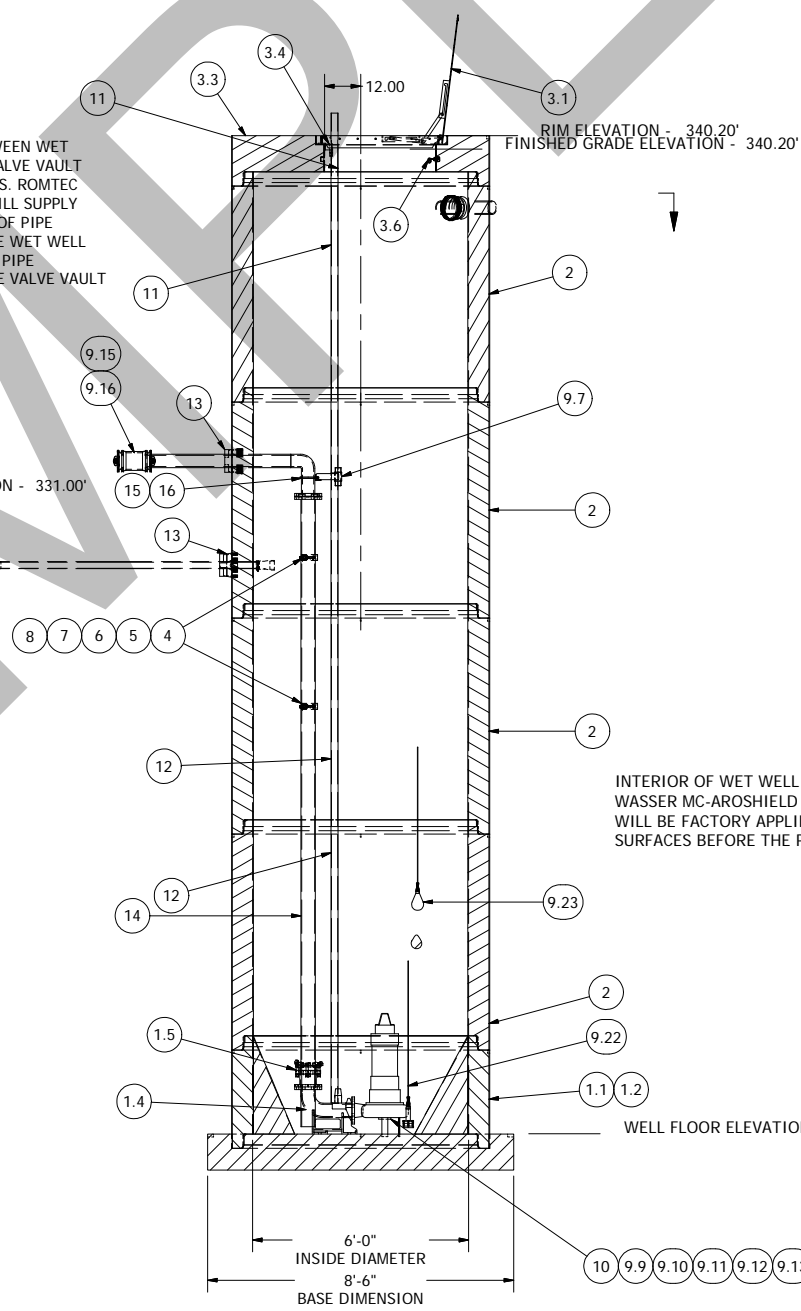
PIPING BETWEEN WET
WELL AND VALVE VAULT
IS BY OTHERS. ROMTEC
UTILITIES WILL SUPPLY
ABOUT 2 FT OF PIPE
OUTSIDE THE WET WELL
AND 2 FT OF PIPE
OUTSIDE THE VALVE VAULT



577 VALVE VAULT ASSEMBLY
SEE SHEET 2



PIPING BETWEEN WET
WELL AND VALVE VAULT
IS BY OTHERS. ROMTEC
UTILITIES WILL SUPPLY
ABOUT 2 FT OF PIPE
OUTSIDE THE WET WELL
AND 2 FT OF PIPE
OUTSIDE THE VALVE VAULT



SENSOR AND ELEVATION TABLE		
LEVEL ELEVATION	DISTANCE BETWEEN POINTS	SET POINT DESCRIPTION
322.16		SEWER INVERT IN
317.45		HIGH LEVEL ALARM
316.95	0.50	SENSOR SPACING
		LAG PUMP START
316.45	0.50	SENSOR SPACING
		LEAD PUMP START
315.20	1.25	SENSOR SPACING
		PUMP STOP
312.47	2.73	DISTANCE TO FLOOR
		FLOOR ELEVATION

© 2013 ROMTEC INC. ALL RIGHTS RESERVED. THESE
PLANS AND DRAWINGS MAY NOT BE REPRODUCED,
ADAPTED, OR FURTHER DISTRIBUTED, AND NO
COMPONENTS MAY BE CONSTRUCTED FROM THESE
PLANS, WITHOUT WRITTEN PERMISSION OF ROMTEC, INC.

NOTE: ALL DIMENSIONS AND ELEVATIONS SHOWN
ARE NOMINAL DIMENSIONS. IT IS THE RESPONSIBILITY
OF THE ON-SITE CONTRACTOR OR ROMTEC UTILITIES
CUSTOMER (NOT ROMTEC UTILITIES) TO VERIFY THE
ACCURACY OF ANY CRITICAL DIMENSIONS OR ELEVATIONS
PRIOR TO SETTING OR INSTALLING ANY EQUIPMENT.

**6' DIAMETER WET WELL
4" DISCHARGE PIPING
ABS PUMPS
4" - 577 VALVE VAULT**

ALL MATERIALS SHOWN ON THIS SHEET WILL BE
SUPPLIED BY ROMTEC UTILITIES AND DELIVERED TO
THE SITE AFTER THE HOLE HAS BEEN EXCAVATED
AND SHORED. THE CONTRACTOR SHALL SUPPLY A
CRANE OF SUFFICIENT SIZE TO LOWER ALL THE
CONCRETE PIECES INTO THE HOLE SAFELY. THE
CONTRACTOR SHALL INSTALL THE WET WELL
(AND VALVE VAULT AND METERING VAULT IF
APPLICABLE). ROMTEC UTILITIES WILL PROVIDE A
REPRESENTATIVE FOR TECHNICAL ASSISTANCE ON
THE DAY OF INSTALLATION TO ANSWER ANY QUESTIONS
THAT MAY ARISE. THE CONTRACTOR IS RESPONSIBLE
FOR ALL PLUMBING AND ELECTRICAL CONNECTIONS
AND INSTALLATION. ITEMS NOTED AS "BY OTHERS"
WILL BE PROVIDED AND INSTALLED BY THE CONTRACTOR.
ROMTEC UTILITIES WILL NOT INSTALL ANY OF THE
COMPONENTS SHOWN ON THIS PAGE.

DRAWING SECURITY
IS MAINTAINED AND
CREATED AT 1:1 AND
FIT TO THE SHEET.
DO NOT SCALE
THIS DRAWING

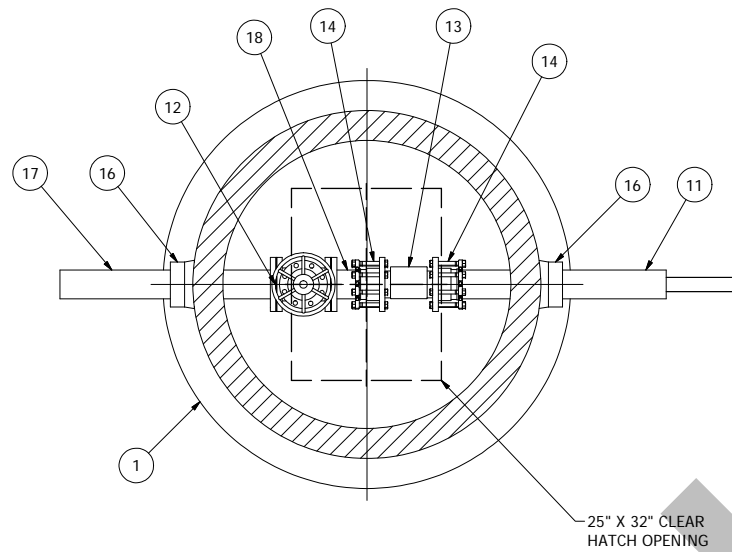
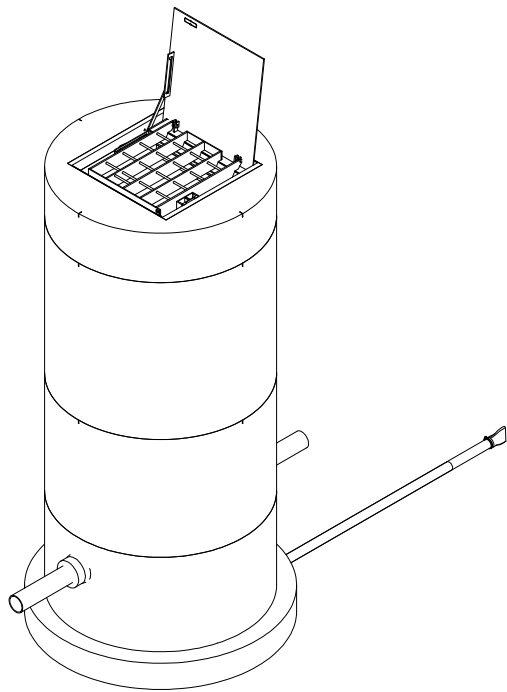
REV	DESCRIPTION	DATE	APPROV
1	DISCHARGE PIPE ELEVATION LOWERED	2-4-13	AD

**COMPONENT
DRAWING**

**ROMTEC
UTILITIES**
18240 NORTH BANK ROAD
ROSEBURG, OREGON 97470
(541) 496-9678
FAX (541) 496-0804

**BENHAM RIDGE
4" - 6' DIA WET WELL**

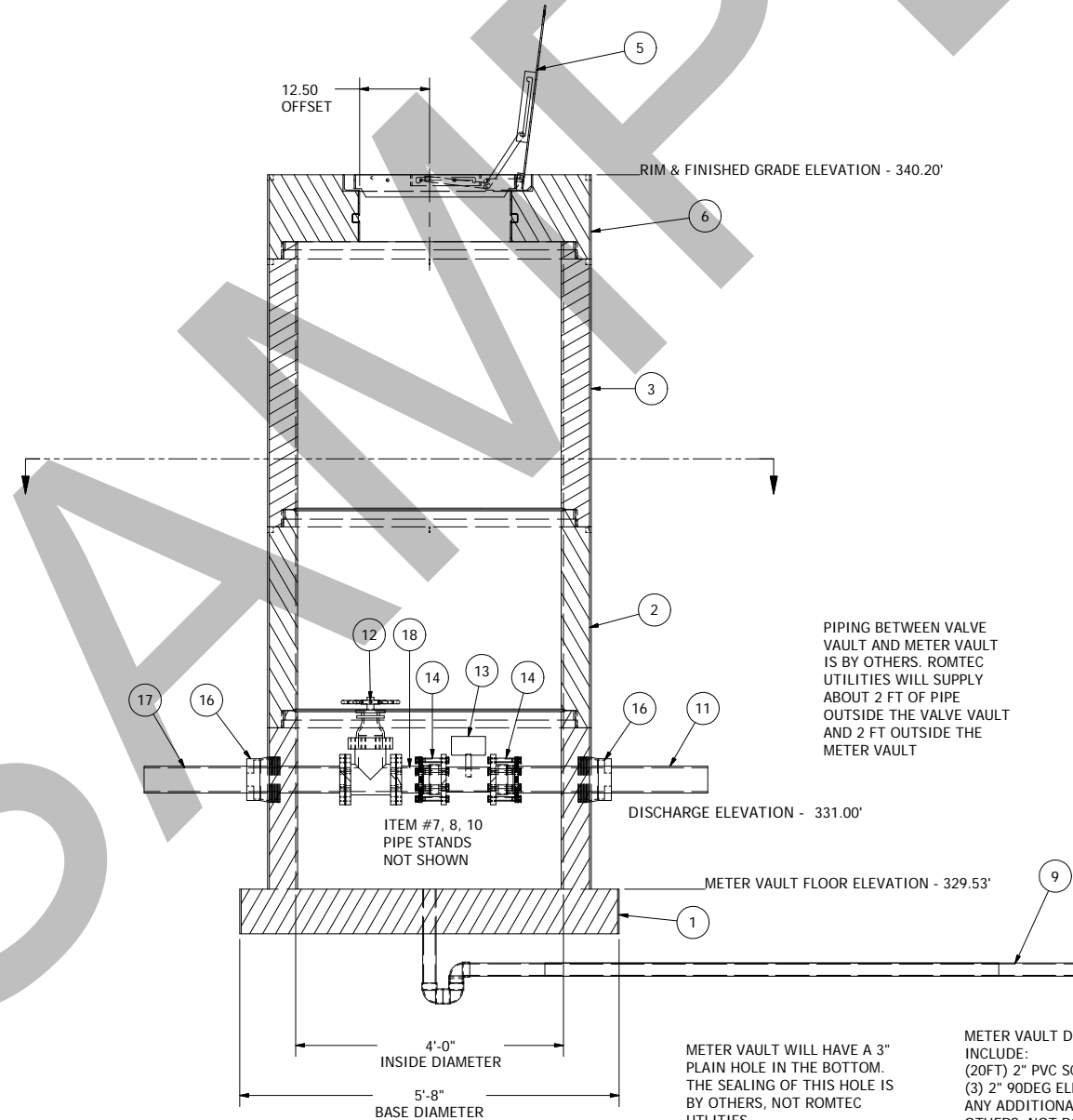
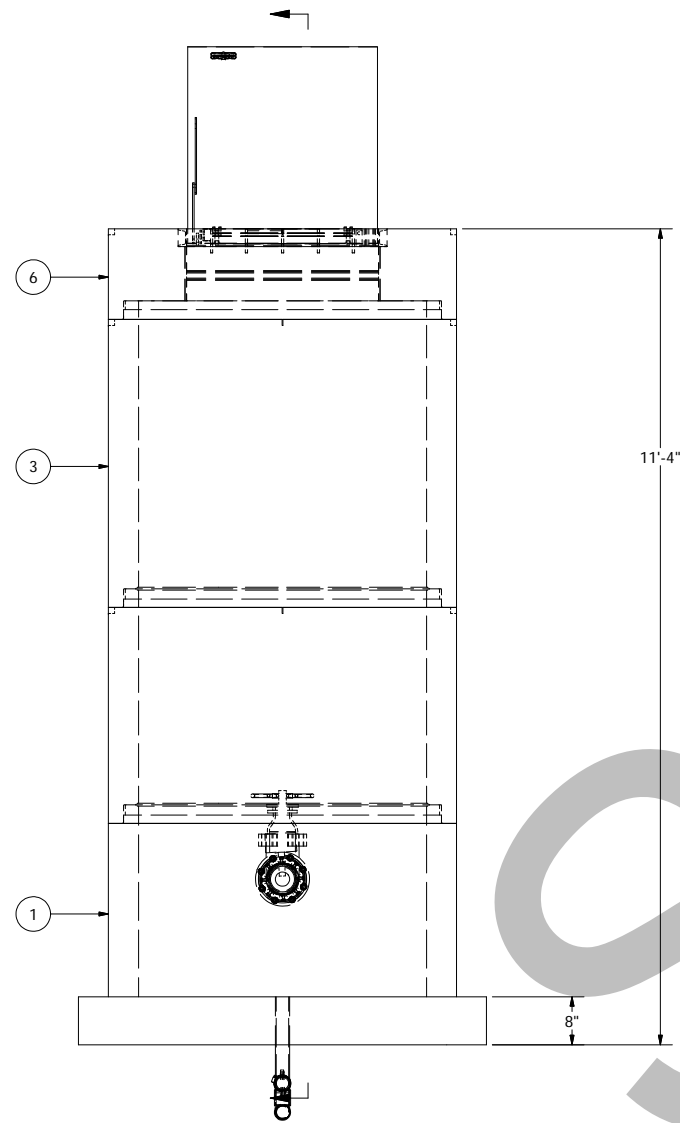
SHEET
1 OF 3
JOB NUMBER
**RMTC
0000**



PIPING BETWEEN VALVE VAULT AND METER VAULT IS BY OTHERS. ROMTEC UTILITIES WILL SUPPLY ABOUT 2 FT OF PIPE OUTSIDE THE VALVE VAULT AND 2 FT OUTSIDE THE METER VAULT

NOTE: VAULT TOP SLAB IS H-20 OCCASIONAL RATED

**4' DIA METER VAULT
4" PIPING AND VALVES**



PIPING BETWEEN VALVE VAULT AND METER VAULT IS BY OTHERS. ROMTEC UTILITIES WILL SUPPLY ABOUT 2 FT OF PIPE OUTSIDE THE VALVE VAULT AND 2 FT OUTSIDE THE METER VAULT

METER VAULT WILL HAVE A 3" PLAIN HOLE IN THE BOTTOM. THE SEALING OF THIS HOLE IS BY OTHERS, NOT ROMTEC UTILITIES.

METER VAULT DRAIN PIPING WILL INCLUDE:
(20FT) 2" PVC SCH 80 PIPE
(3) 2" 90DEG ELBOW SCH 80 PVC
ANY ADDITIONAL FITTINGS WILL BE BY OTHERS, NOT ROMTEC UTILITIES.

NOTE: ALL DIMENSIONS AND ELEVATIONS SHOWN ARE NOMINAL DIMENSIONS. IT IS THE RESPONSIBILITY OF THE ON-SITE CONTRACTOR OR ROMTEC UTILITIES CUSTOMER (NOT ROMTEC UTILITIES) TO VERIFY THE ACCURACY OF ANY CRITICAL DIMENSIONS OR ELEVATIONS PRIOR TO SETTING OR INSTALLING ANY EQUIPMENT.

© 2011 ROMTEC INC. ALL RIGHTS RESERVED. THESE PLANS AND DRAWINGS MAY NOT BE REPRODUCED, ADAPTED, OR FURTHER DISTRIBUTED, AND NO COMPONENTS MAY BE CONSTRUCTED FROM THESE PLANS, WITHOUT WRITTEN PERMISSION OF ROMTEC, INC.

DRAWING GEOMETRY IS ACCURATE AND CREATED AT 1:1 AND FIT TO THE SHEET. DO NOT SCALE THIS DRAWING.

DSN - NG
DRN - NG
CKD - NG
DATE - 01/23/13

REV	DESCRIPTION	DATE	NG	APPROV
1	PER COMMENTS AND FM ANALYSIS	2-1-13		

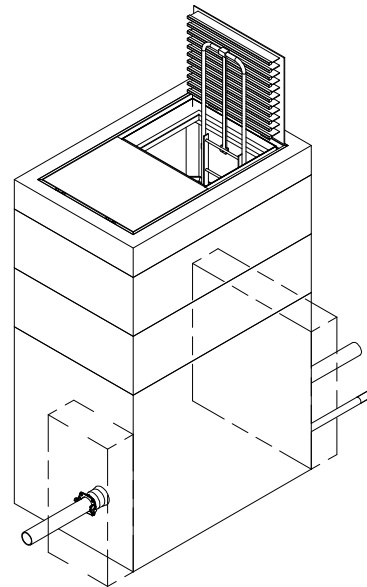
**COMPONENT
DRAWING**

**ROMTEC
UTILITIES**
18240 NORTH BANK ROAD
ROSEBURG, OREGON 97470
(541) 496-9678
FAX (541) 496-0804

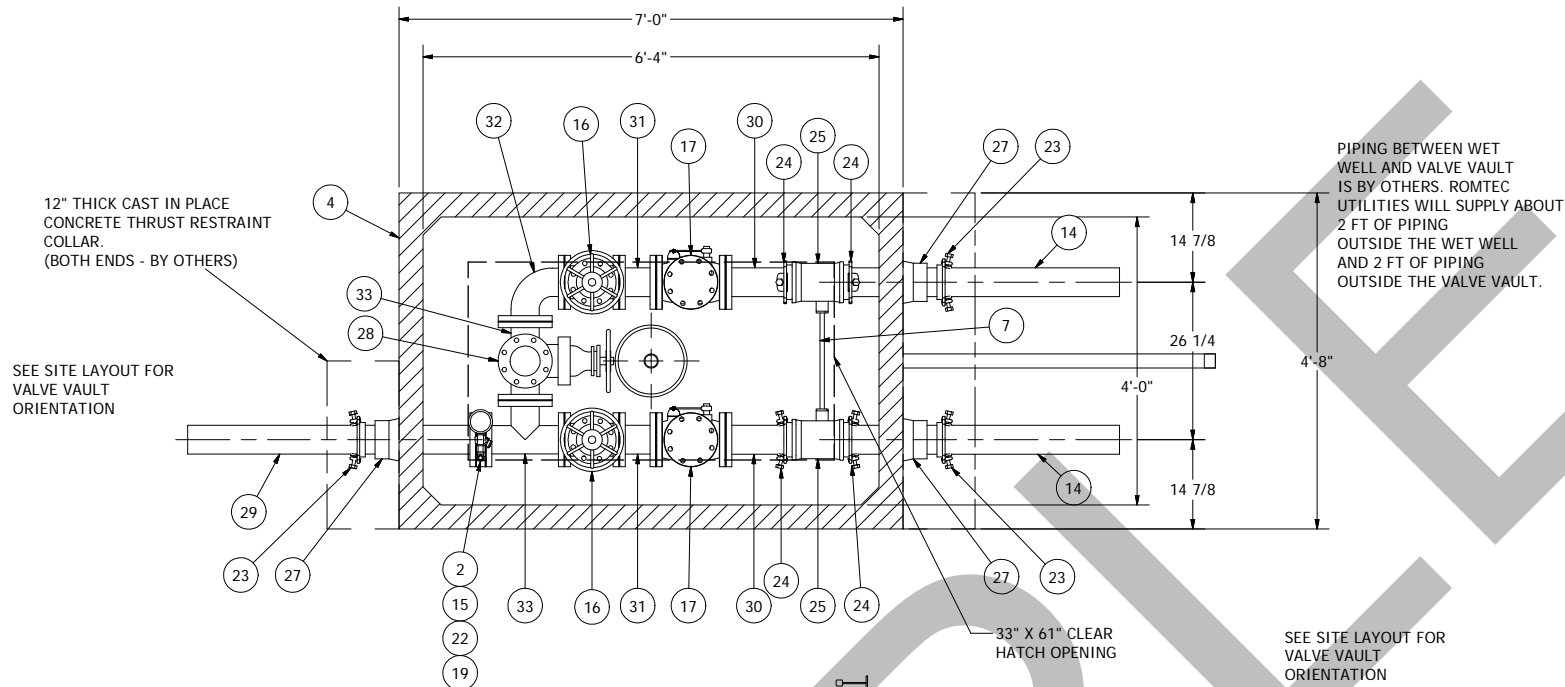
**BENHAM RIDGE
4" - 4' DIA METER VAULT**

SHEET
3 OF 3

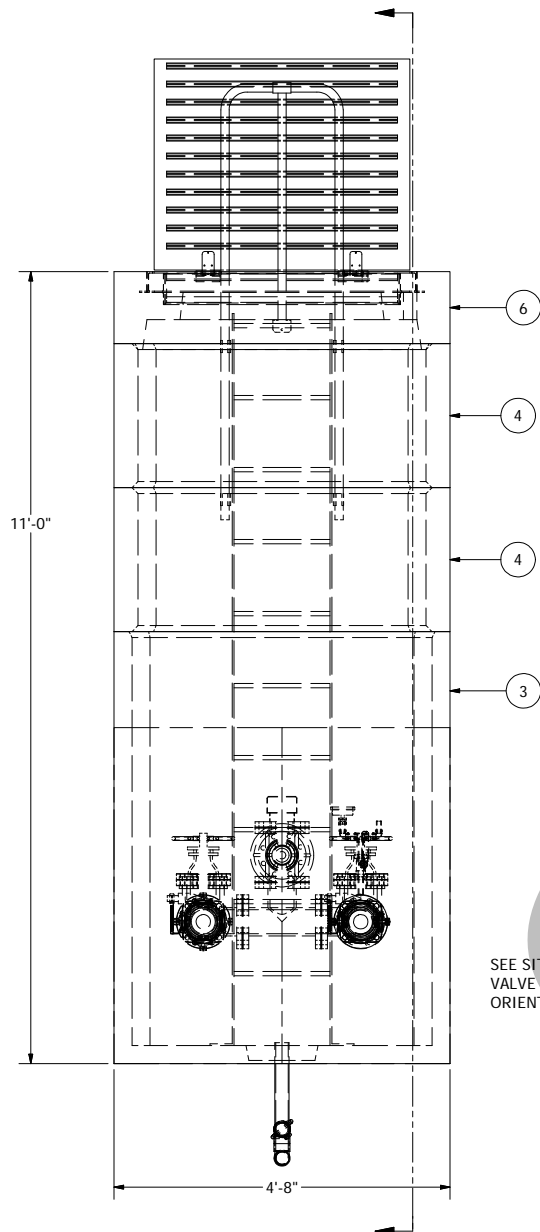
JOB NUMBER
**RMTC
0000**



PIPING BETWEEN VALVE VAULT AND METER VAULT IS BY OTHERS. ROMTEC UTILITIES WILL SUPPLY ABOUT 2 FT OF PIPING OUTSIDE THE VALVE VAULT AND 2 FT OF PIPING OUTSIDE THE METER VAULT.

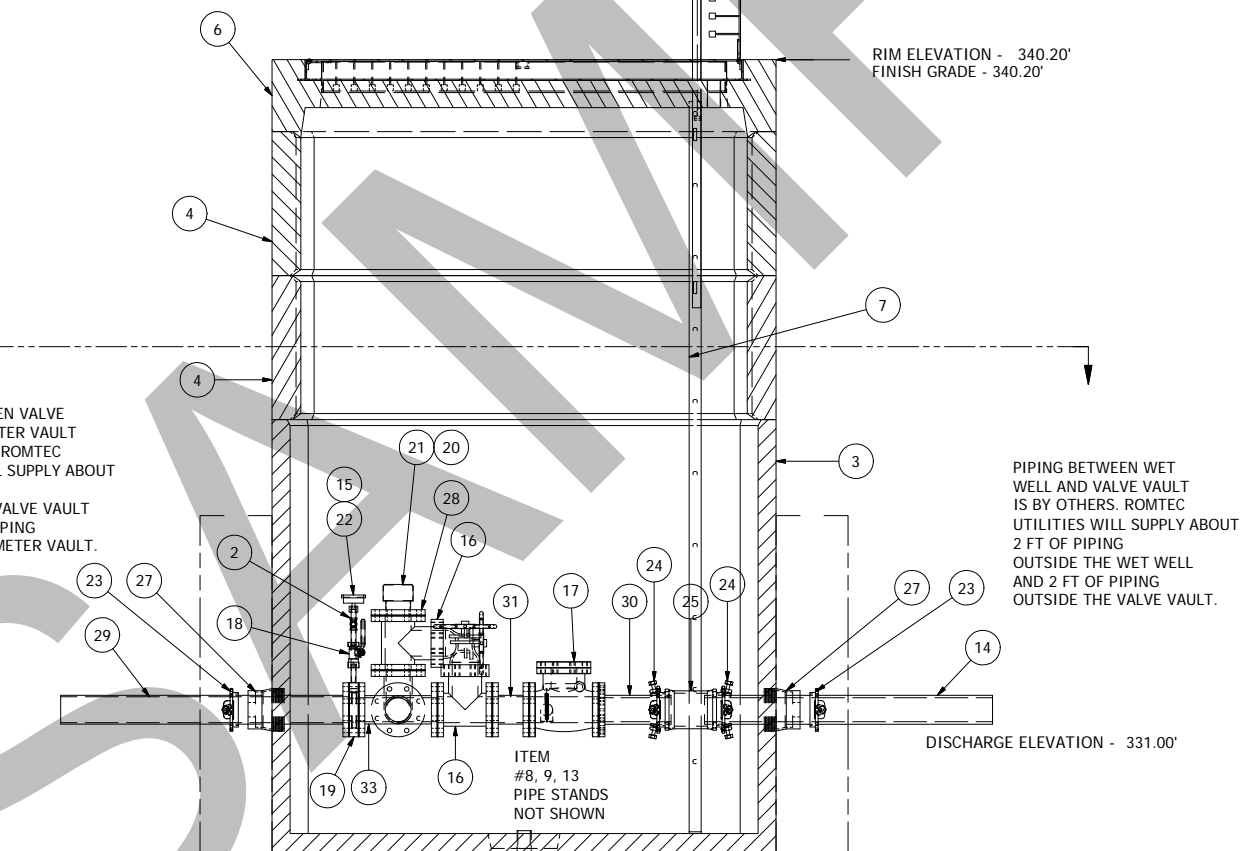


NOTE: VAULT TOP SLAB IS H-20 OCCASIONAL RATED



PIPING BETWEEN VALVE VAULT AND METER VAULT IS BY OTHERS. ROMTEC UTILITIES WILL SUPPLY ABOUT 2 FT OF PIPING OUTSIDE THE VALVE VAULT AND 2 FT OF PIPING OUTSIDE THE METER VAULT.

SEE SITE LAYOUT FOR VALVE VAULT ORIENTATION



PIPING BETWEEN WET WELL AND VALVE VAULT IS BY OTHERS. ROMTEC UTILITIES WILL SUPPLY ABOUT 2 FT OF PIPING OUTSIDE THE WET WELL AND 2 FT OF PIPING OUTSIDE THE VALVE VAULT.

SEE SITE LAYOUT FOR VALVE VAULT ORIENTATION

12" THICK CAST IN PLACE CONCRETE THRUST RESTRAINT COLLAR. (BOTH ENDS - BY OTHERS)

VALVE VAULT WILL HAVE A 3" PLAIN HOLE IN THE BOTTOM. THE SEALING OF THIS HOLE IS BY OTHERS, NOT ROMTEC UTILITIES.

VALVE VAULT DRAIN PIPING WILL INCLUDE:
 (20FT) 2" PVC SCH 80 PIPE
 (3) 2" 90DEG ELBOW SCH 80 PVC
 ANY ADDITIONAL FITTINGS WILL BE BY OTHERS, NOT ROMTEC UTILITIES.

PVC CHECK VALVE PROVIDED BY ROMTEC UTILITIES

577 VALVE VAULT 4" PIPING AND VALVES

DRAWING SECURITY		REVISION HISTORY	
IS ACCURATE AND	DATE	DESCRIPTION	DATE
CREATED AT 1:1 AND	2-1-13	FM ANALYSIS	NG
FIT TO THE SHEET			APPROV
DO NOT SCALE			
THIS DRAWING			
DSN - NG	1	PER COMMENTS/	
DRN - NG	REV	DESCRIPTION	DATE
CKD - NG			
DATE - 01/23/13			

COMPONENT
DRAWING

ROMTEC UTILITIES
 18240 NORTH BANK ROAD
 ROSEBURG, OREGON 97470
 (541) 496-9678
 FAX (541) 496-0804

BENHAM RIDGE
4" - 577 VALVE VAULT