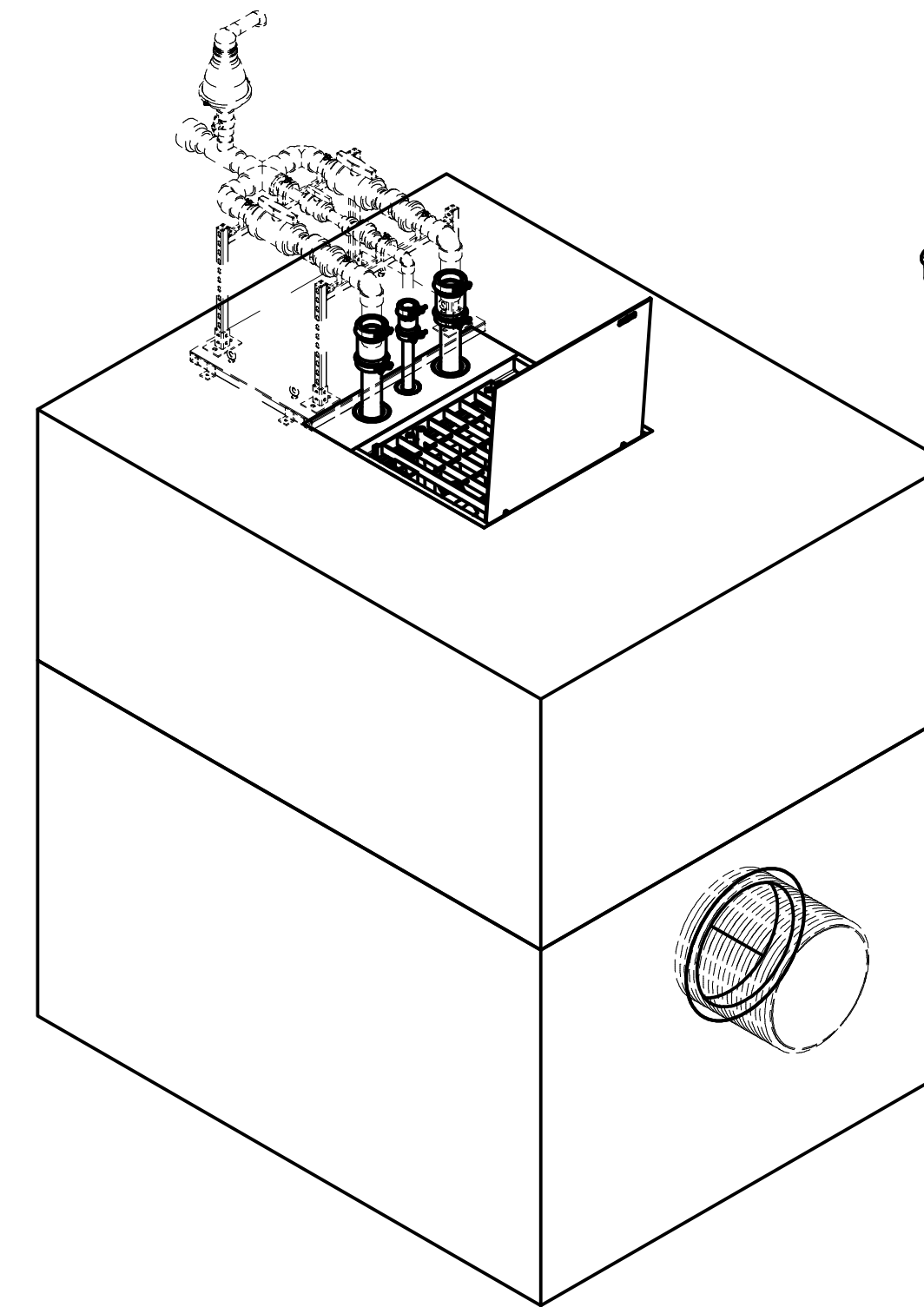


SECTION B-B
SCALE 1 / 25

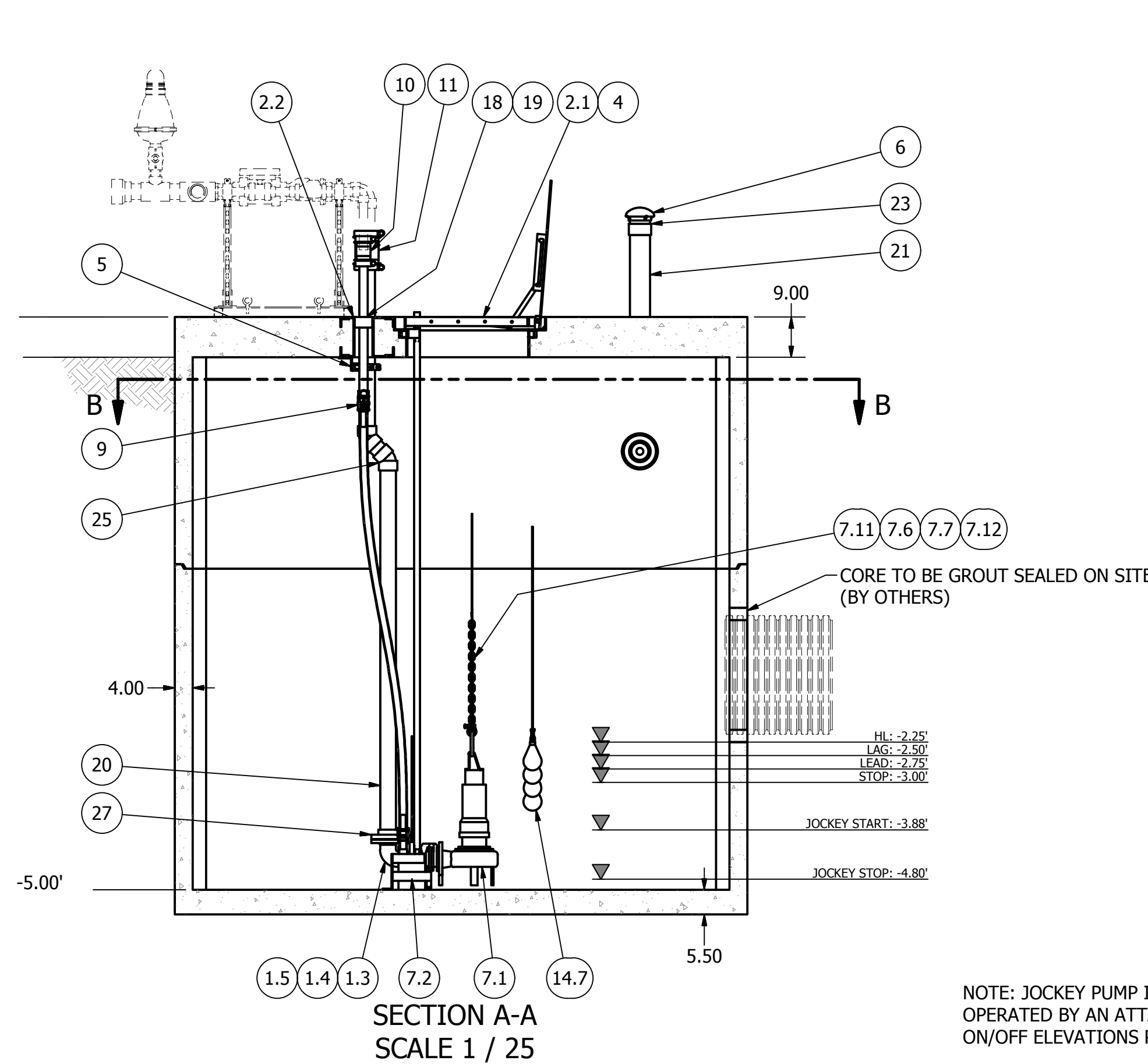


ISO VIEW
SCALE 1 / 30

NOTE: WET WELL TOP SLAB IS PEDESTRIAN RATED

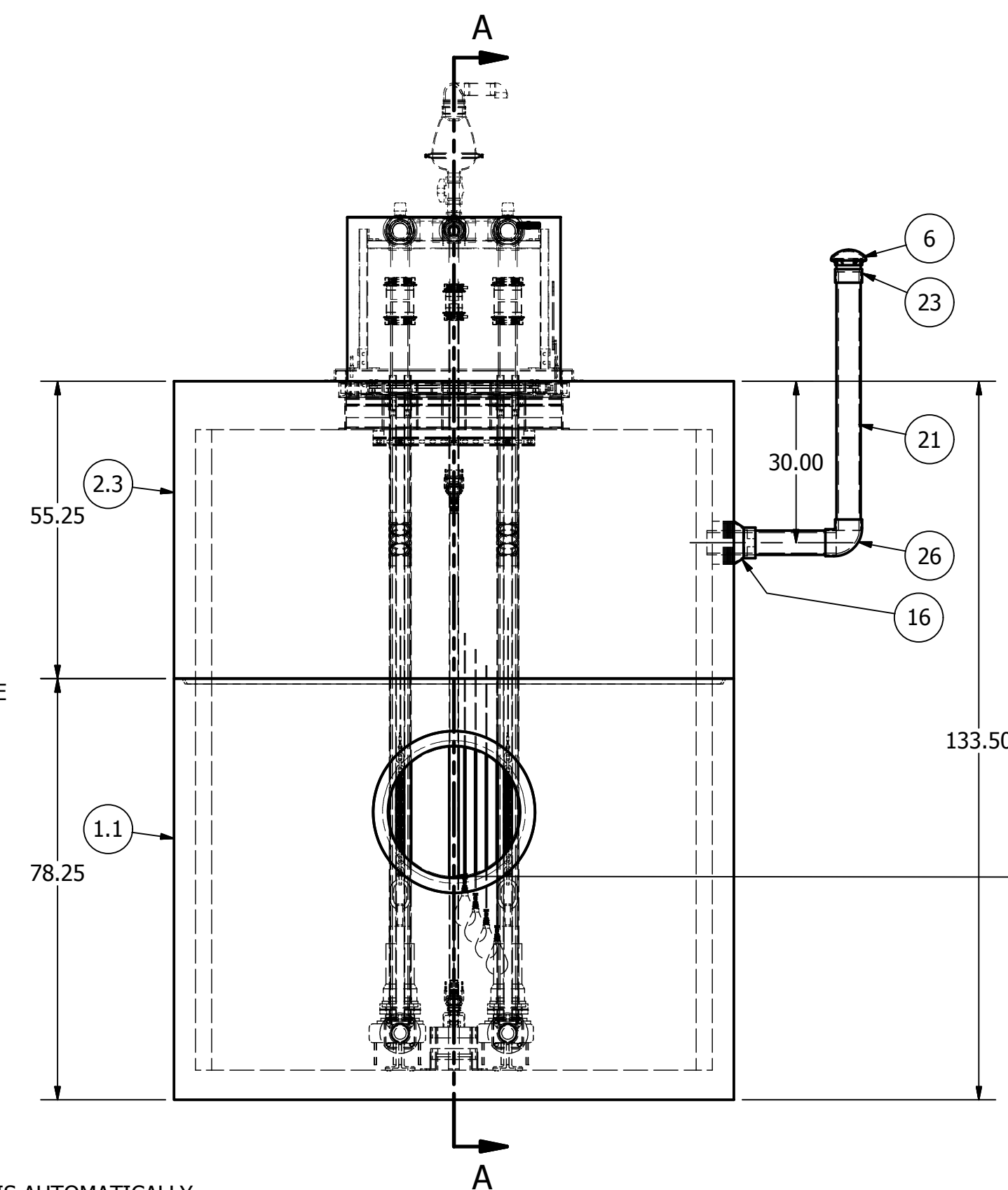
**8' x 10' ID WET WELL
3" & 1.5" DISCHARGE PIPING
3" & 1.5" VALVE ASSEMBLY
W/ ARV & SKID ASSEMBLY**

RIM ELEVATION: 5.75'
FINISHED GRADE ELEVATION: 5.00'



SECTION A-A
SCALE 1 / 25

NOTE: JOCKEY PUMP IS AUTOMATICALLY OPERATED BY AN ATTACHED FLOAT. ON/OFF ELEVATIONS PROVIDED FOR REFERENCE.



INLET SIDE VIEW
SCALE 1 / 25

INVERT ELEVATION: -2.00'
INFLUENT SEWER (BY OTHERS)
24" CORRUGATED HDPE

NOTE: HDPE PIPE MANUFACTURER TO BE CONFIRMED PRIOR TO PRODUCTION. BOOT, ADAPTER, AND CORE SIZE VARY DEPENDING ON PIPE MANUFACTURER.

ALL MATERIALS SHOWN ON THIS SHEET WILL BE SUPPLIED BY ROMTEC UTILITIES AND DELIVERED TO THE SITE AFTER THE HOLE HAS BEEN EXCAVATED AND SHORED. THE CONTRACTOR SHALL SUPPLY A CRANE OF SUFFICIENT SIZE TO LOWER ALL THE CONCRETE PIECES INTO THE HOLE SAFELY. THE CONTRACTOR SHALL INSTALL THE WET WELL (AND VALVE VAULT AND METERING VAULT IF APPLICABLE). ROMTEC UTILITIES WILL PROVIDE A REPRESENTATIVE FOR TECHNICAL ASSISTANCE ON THE DAY OF INSTALLATION TO ANSWER ANY QUESTIONS THAT MAY ARISE. THE CONTRACTOR IS RESPONSIBLE FOR ALL PLUMBING AND ELECTRICAL CONNECTIONS AND INSTALLATION. ITEMS NOTED AS "BY OTHERS" WILL BE PROVIDED AND INSTALLED BY THE CONTRACTOR. ROMTEC UTILITIES WILL NOT INSTALL ANY OF THE COMPONENTS SHOWN ON THIS PAGE.

WELL FLOOR ELEVATION: -5.00'

© 2017 ROMTEC INC. ALL RIGHTS RESERVED. THESE PLANS AND DRAWINGS MAY NOT BE REPRODUCED, ADAPTED, OR FURTHER DISTRIBUTED, AND NO COMPONENTS MAY BE CONSTRUCTED FROM THESE PLANS, WITHOUT WRITTEN PERMISSION OF ROMTEC, INC.

REV	DESCRIPTION	DATE	APPROV
2	AS BUILT - REMOVED KOR-N-SEAL BOOT	8-22-17	KB
1	ADDED PUMP CAGE, FOR LAUNCH	5-2-17	KB
1			

REVISION HISTORY

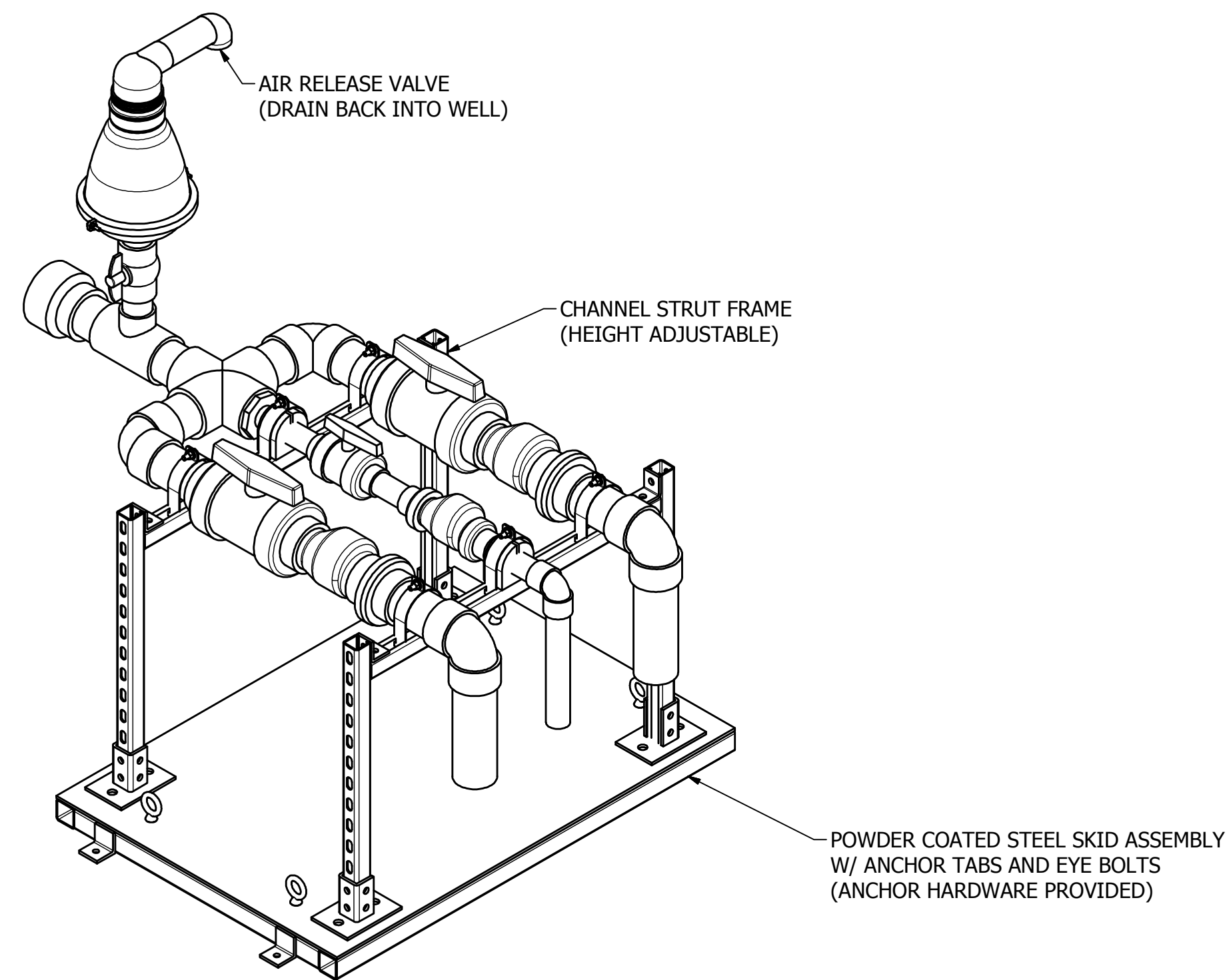
VERIFY SCALE
BAR IS ONE INCH ON ORIGINAL DRAWING
0 1"
IF NOT ONE INCH ON SCALES ACCORDING TO THIS DRAWING

DSM - KEVIN BOGAN
DRW - KEVIN BOGAN
CKD -
DATE - 3-27-17

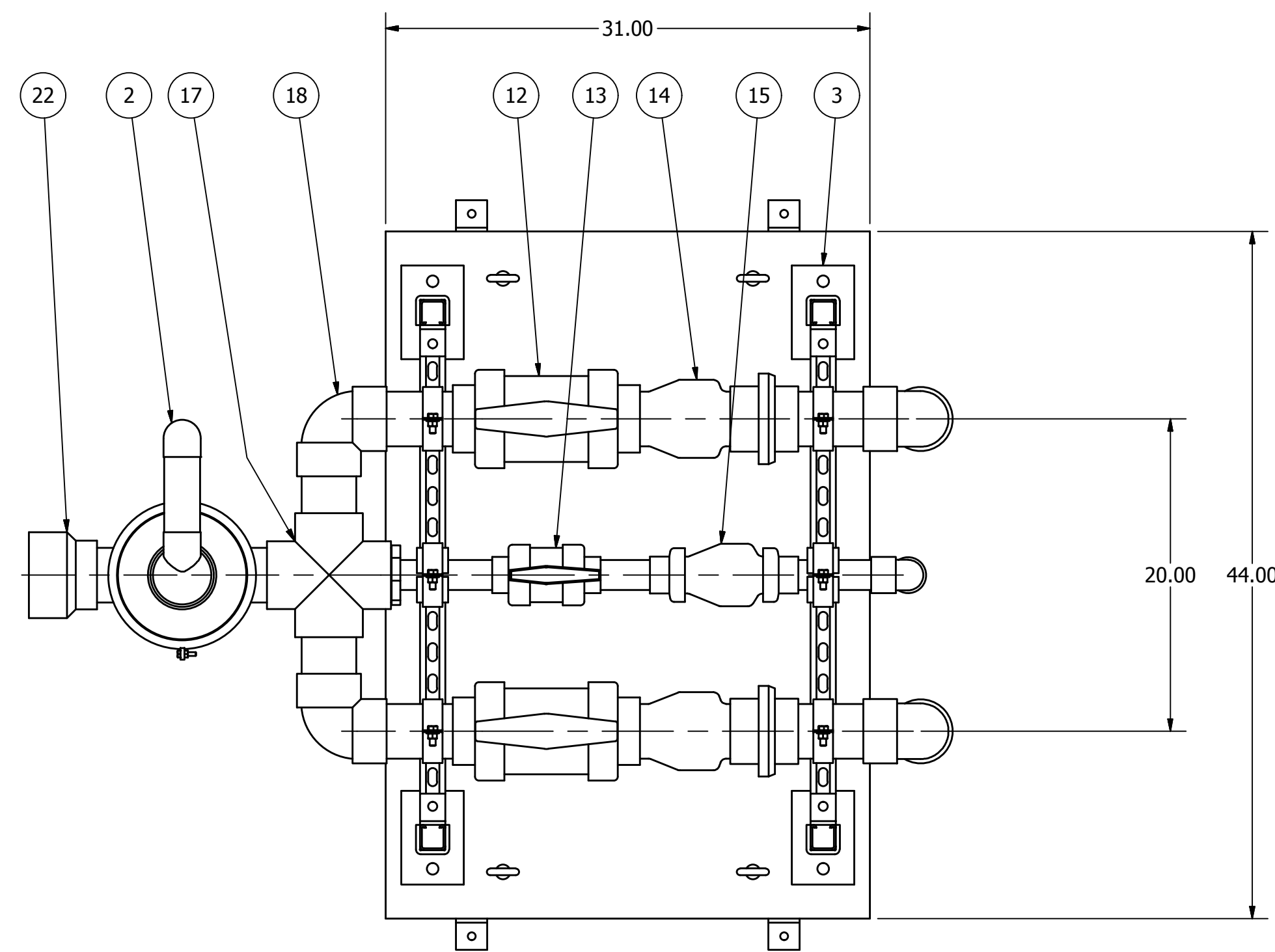
ROMTEC UTILITIES
18240 NORTH BANK ROAD
ROSEBURG, OREGON 97470
(541) 496-9678
FAX (541) 496-0804

FREEPORT, TX
BOARDWALK STRATTON RIDGE
WET WELL ASSEMBLY

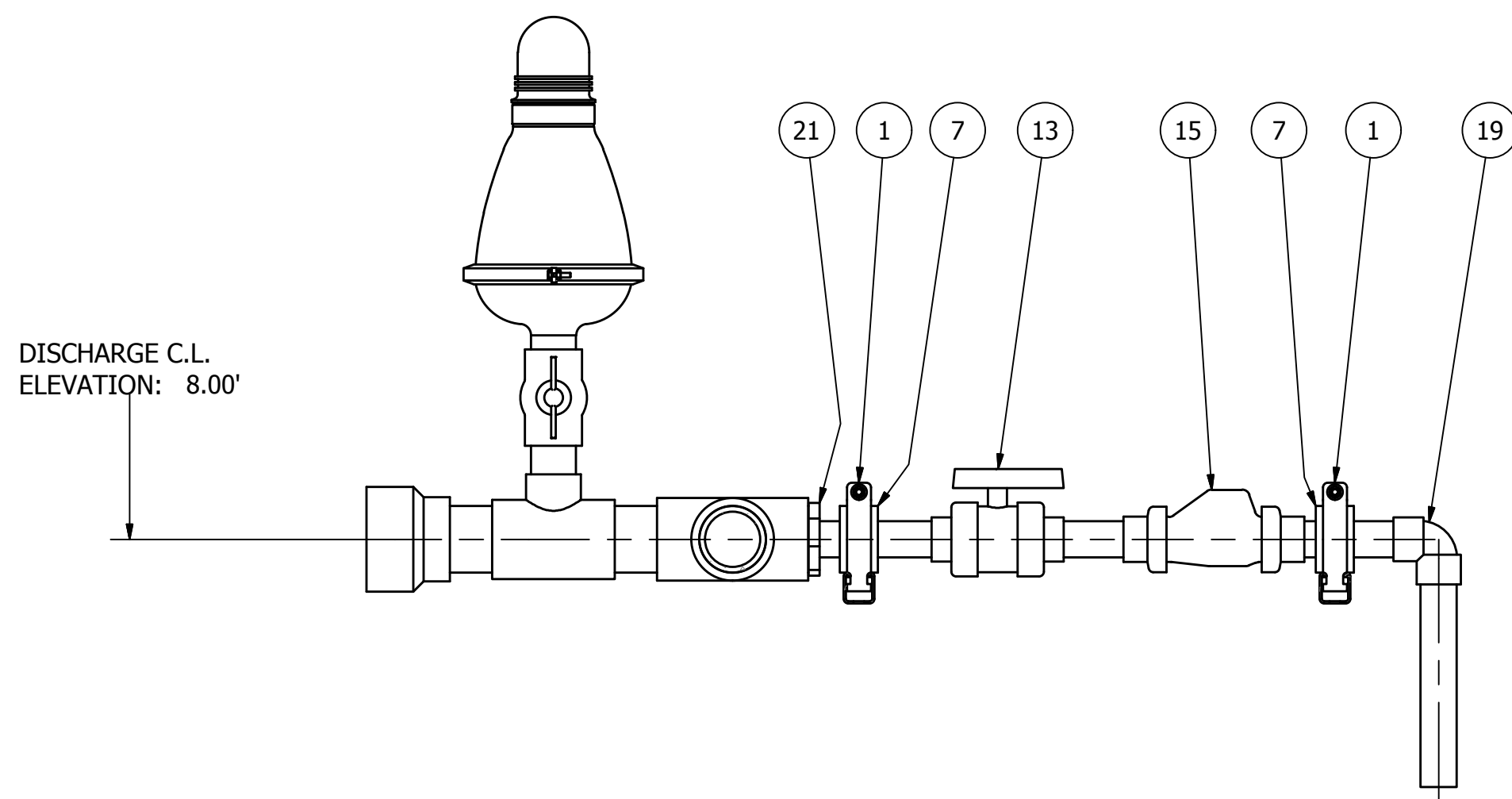
SHEET
1 OF 2
JOB NUMBER
RMTC 0000



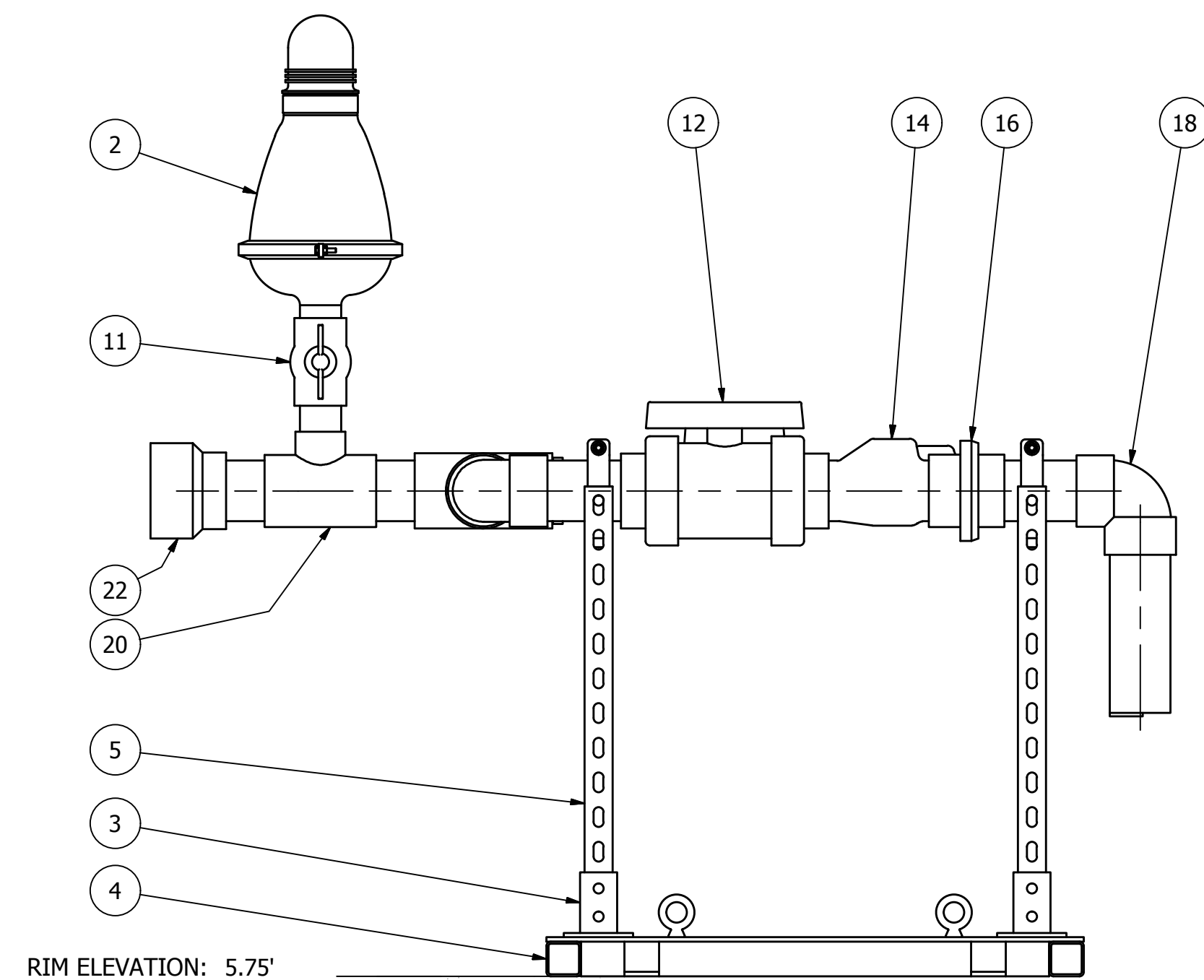
ISO VIEW
SCALE 1 / 10



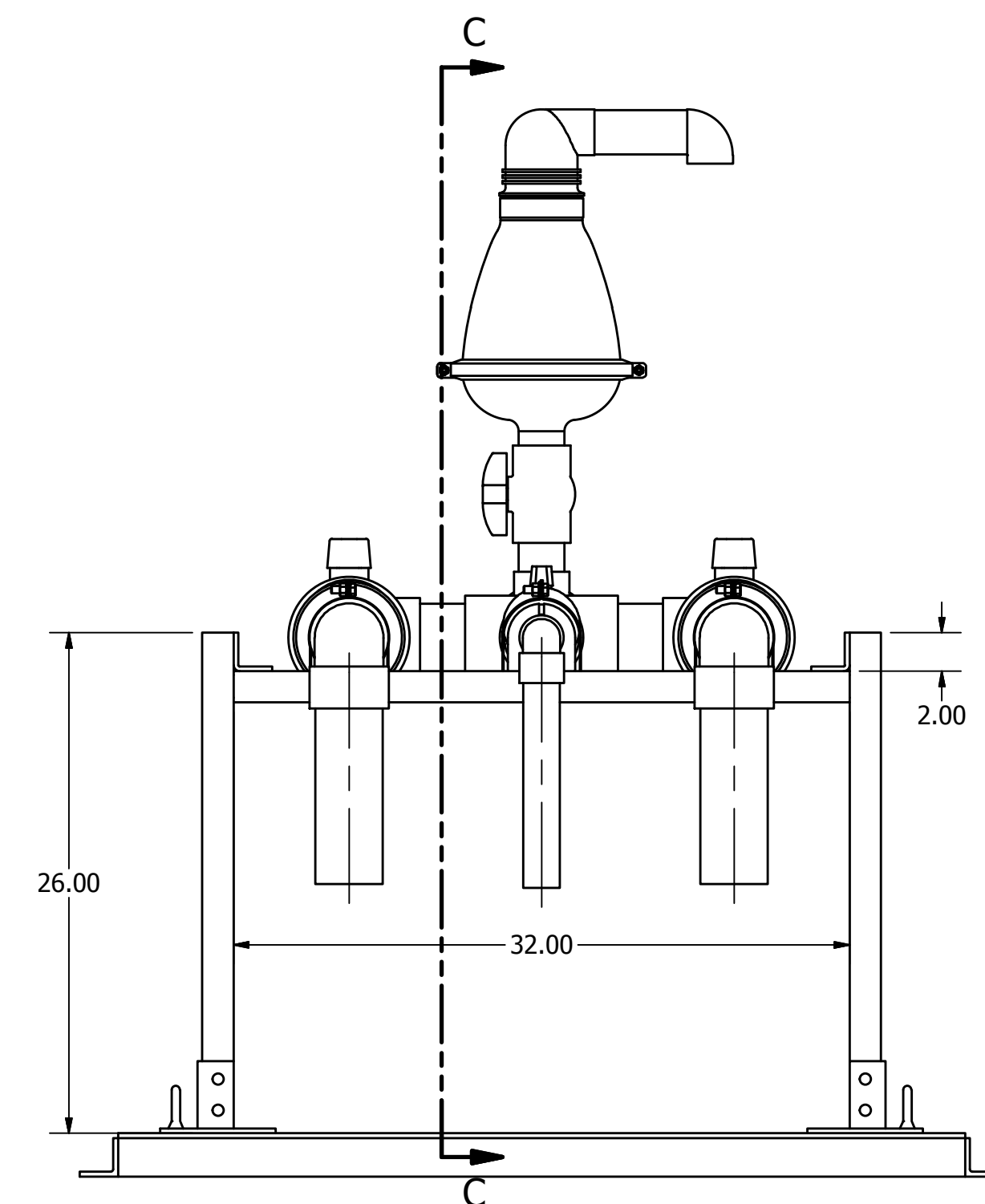
TOP VIEW
SCALE 1 / 8



1.5" CENTER PIPE
SECTION C-C
SCALE 1 / 8



PROFILE VIEW
SCALE 1 / 8



INLET SIDE VIEW
SCALE 1 / 8

ALL MATERIALS SHOWN ON THIS SHEET WILL BE SUPPLIED BY ROMTEC UTILITIES AND DELIVERED TO THE SITE AFTER THE HOLE HAS BEEN EXCAVATED AND SHORED. THE CONTRACTOR SHALL SUPPLY A CRANE OF SUFFICIENT SIZE TO LOWER ALL THE CONCRETE PIECES INTO THE HOLE SAFELY. THE CONTRACTOR SHALL INSTALL THE WET WELL (AND VALVE VAULT AND METERING VAULT IF APPLICABLE). ROMTEC UTILITIES WILL PROVIDE A REPRESENTATIVE FOR TECHNICAL ASSISTANCE ON THE DAY OF INSTALLATION TO ANSWER ANY QUESTIONS THAT MAY ARISE. THE CONTRACTOR IS RESPONSIBLE FOR ALL PLUMBING AND ELECTRICAL CONNECTIONS AND INSTALLATION. ITEMS NOTED AS "BY OTHERS" WILL BE PROVIDED AND INSTALLED BY THE CONTRACTOR. ROMTEC UTILITIES WILL NOT INSTALL ANY OF THE COMPONENTS SHOWN ON THIS PAGE.

© 2017 ROMTEC INC. ALL RIGHTS RESERVED. THESE PLANS AND DRAWINGS MAY NOT BE REPRODUCED, ADAPTED, OR FURTHER DISTRIBUTED, AND NO COMPONENTS MAY BE CONSTRUCTED FROM THESE PLANS, WITHOUT WRITTEN PERMISSION OF ROMTEC, INC.

NOTE: ALL DIMENSIONS AND ELEVATIONS SHOWN ARE NOMINAL DIMENSIONS. IT IS THE RESPONSIBILITY OF THE ON-SITE CONTRACTOR OR ROMTEC UTILITIES CUSTOMER (NOT ROMTEC UTILITIES) TO VERIFY THE ACCURACY OF ANY CRITICAL DIMENSIONS OR ELEVATIONS PRIOR TO SETTING OR INSTALLING ANY EQUIPMENT.

REV	DESCRIPTION	DATE	APPROV
1	MINOR EDITS FOR LAUNCH	5-2-17	
	REVISION HISTORY		

VERIFY SCALE BAR IS ONE INCH ON ORIGINAL DRAWING 0 1"
IF NOT ONE INCH ON SCALES ACCORDINGLY
DSN - KEVIN BOGAN
DRN - KEVIN BOGAN
CKD -
DATE - 3-27-17

COMPONENT DRAWING

ROMTEC UTILITIES
18240 NORTH BANK ROAD
ROSEBURG, OREGON 97470
(541) 496-9678
FAX (541) 496-0804

FREEPORT, TX
BOARDWALK STRATION RIDGE
VALVE ASSEMBLY