

Vault Design Notes:

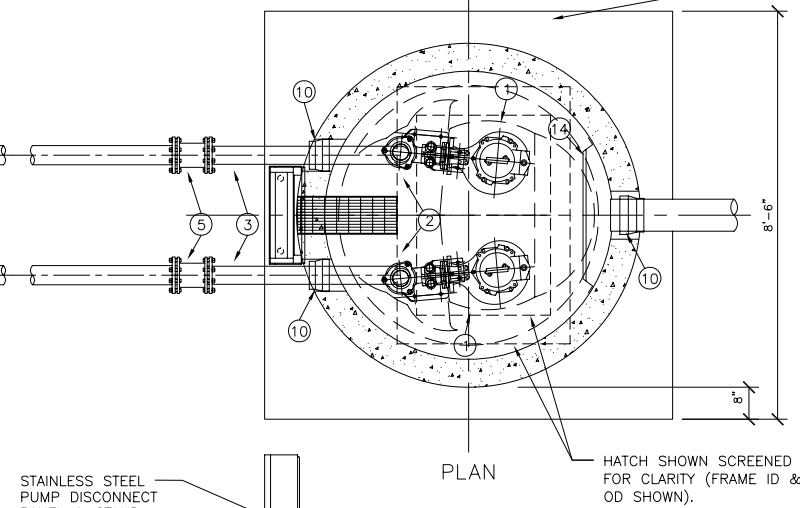
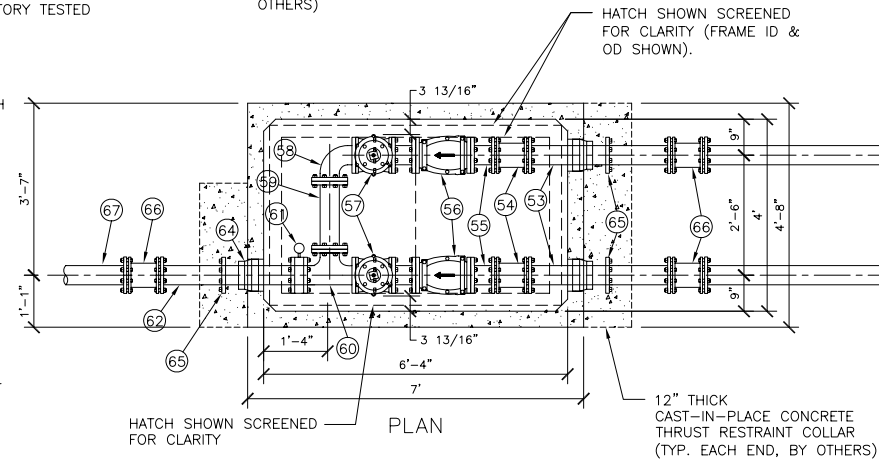
1. ALL PIPING & VALVES WITHIN VAULT ARE 4 INCH
2. HATCH DESIGN LOADS: 300 PSF PEDESTRIAN LOADED
3. VALVES AND VAULT PIPING SYSTEM FACTORY TESTED AFTER ASSEMBLY.

SET NON-TRAFFIC RATED TOP SLABS A MINIMUM OF 12-INCHES ABOVE ADJACENT GRADE, OR INSTALL PIPE BOLLARDS AS REQUIRED FOR PROTECTION (TYPICAL FOR BOTH WETWELL & VALVE VAULT, BY OTHERS)

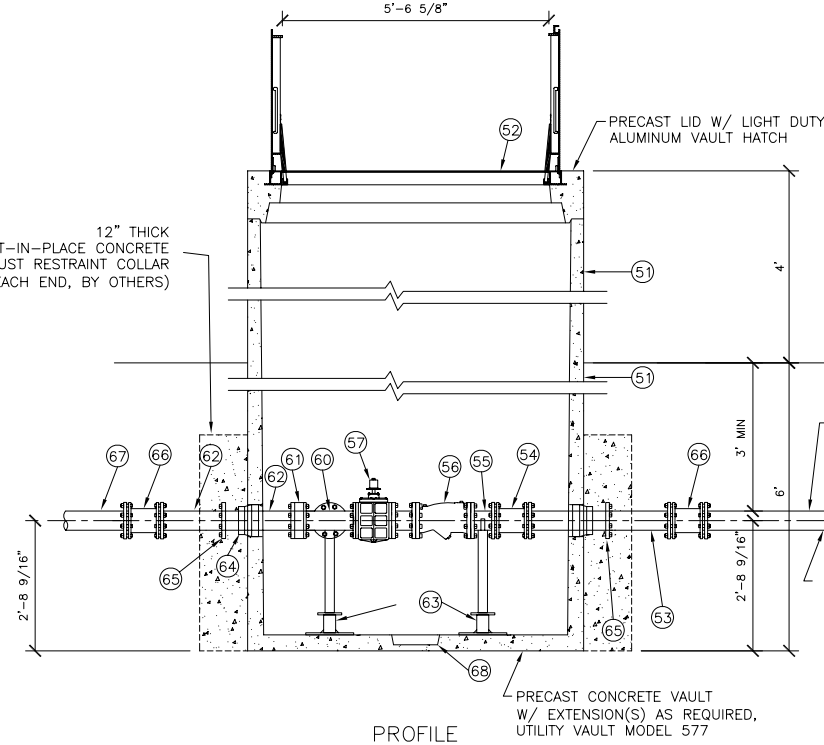
NOTE: WETWELL TOP SLABS ARE NOT TRAFFIC RATED.

ROMTEC UTILITIES EXTENDED BASE SLAB TO PROVIDE 1.5 S.F. AGAINST UPLIFT.

- 51 VAULT EXTENSION RISER(S), HEIGHT AS REQUIRED FOR PIPE COVER DEPTH SHOWN.
- 52 FLYGT ALUMINUM ACCESS HATCH PRECAST INTO VAULT TOP SLAB. FDRND-39X67 PEDESTRIAN RATED ALUMINUM HATCH
- 53 CL 52 DI PIPE SPOOL (PE x PE)
- 54 DI SLEEVE COUPLING, DI TO DI PIPE
- 55 DI PIPE SPOOL (FLG x PE)
- 56 FLANGED DI BODY SWING CHECK VALVE, VAL-MATIC SWING FLEX MODEL 504MI. PROVIDE ONE VALVE WITH BACKFLOW DEVICE.
- 57 ECCENTRIC PLUG VALVE W/2-INCH OPERATING NUT, VAL-MATIC MODEL 5804RN.
- 58 DI 90° BEND (FLG x FLG)
- 59 DI PIPE SPOOL (FLG x FLG)
- 60 DI TEE (FLG x FLG)
- 61 2274 DIGITAL INDUSTRIAL ASHCROFT PRESSURE GAUGE (452274SDXXX100), AND ISO RING.
- 62 DI PIPE SPOOL (FLG x PE)
- 63 ADJUSTABLE PIPE SUPPORT, STANDON (TYP OF 4).
- 64 VAULT SEAL, KOR-N-SEAL (TYP OF 3).
- 65 RETAINER GLAND CENTERED IN CAST-IN-PLACE CONCRETE THRUST COLLAR, UNI-FLANGE THRUST RESTRAINT COLLAR (TYP. EACH END, BY OTHERS)
- 66 SLEEVE COUPLING, (BY OTHERS)
- 67 FORCE MAIN (BY OTHERS).
- 68 PRECAST VAULT SUMP FOR PUMP OR GRAVITY DRAIN TO APPROVED POINT.
- 69 NOT USED

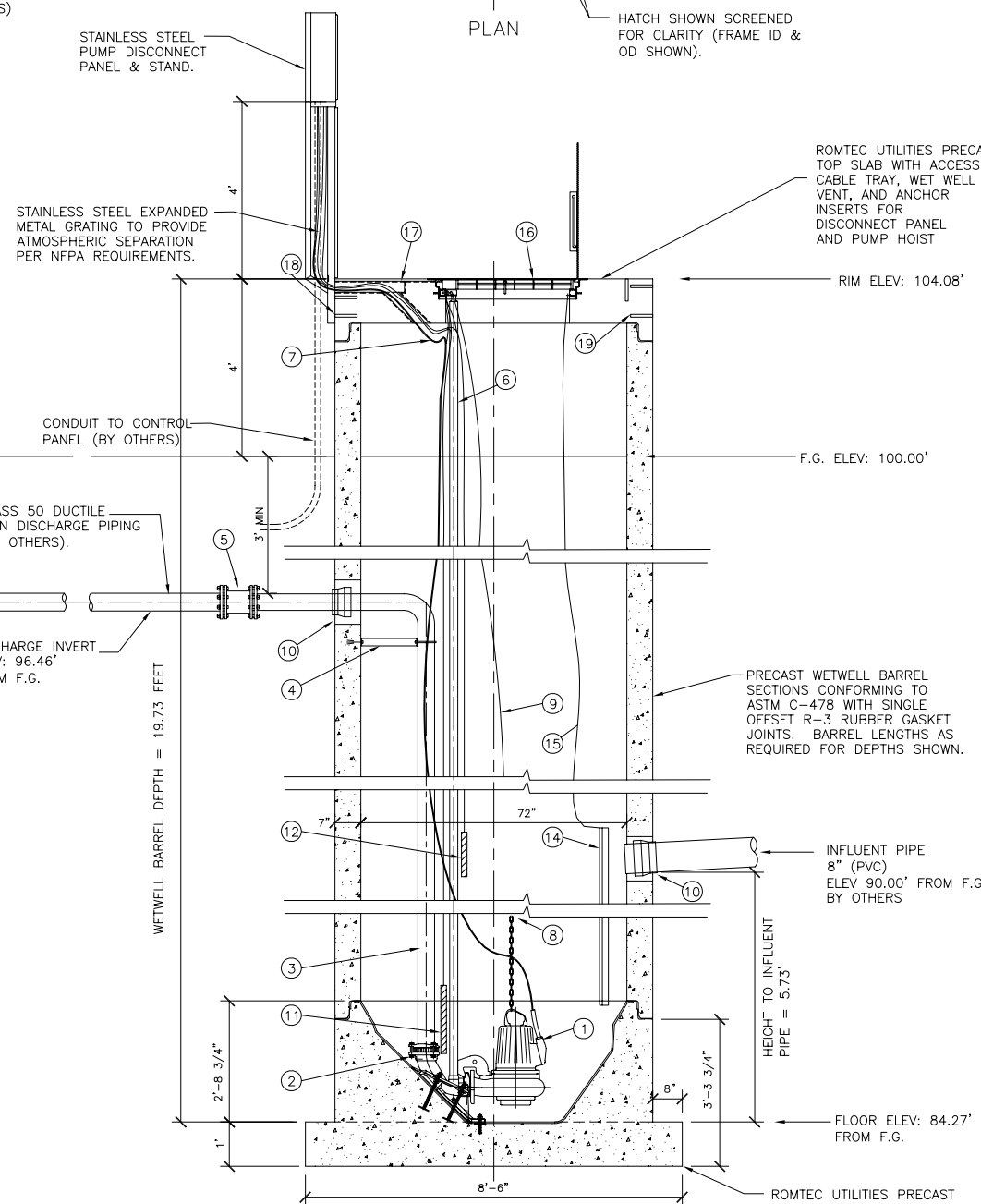


NOTE: VAULT TOP SLAB IS PEDESTRIAN LOADED



4" 577 VALVE VAULT

SCALE: 1/4" = 1'-0"



6" DIAMETER WETWELL PROFILE

SCALE: 1/2" = 1'-0"

- 1 SUBMERSIBLE NON-CLOG SEWAGE PUMPS, FLYGT MODEL NP-3127 (489). PROVIDE ONE PUMP WITH MIX FLUSH VALVE.
- 2 4-INCH FLYGT DISCHARGE ELBOW.
- 3 4" STAINLESS STEEL DISCHARGE PIPING (SCHED 40) FACTORY TESTED. PROVIDE ALL PIPE PENETRATION(S) WITH RUBBER BOOTS (KOR-N-SEAL).
- 4 STAINLESS STEEL DISCHARGE PIPE ANCHOR BRACKET.
- 5 DI SLEEVE COUPLING, STAINLESS STEEL TO DI PIPING
- 6 TWO 2-INCH SCHEDULE 40 STAINLESS STEEL GUIDE BARS FOR EACH PUMP (FULL HEIGHT). ATTACH TO HATCH UNI-STRUT WITH FLYGT UPPER GUIDE BAR BRACKET.
- 7 PUMP POWER CABLE WITH QUICK CONNECT COUPLING AT PUMP DISCONNECT PANEL. PROVIDE EACH CABLE WITH A STAINLESS STEEL BASKET CABLE GRIP ATTACHED TO HOOK ON UPPER GUIDE BAR BRACKET.
- 8 STAINLESS STEEL CHAIN SLING FOR PUMP RETRIEVAL USING FLYGT GRIP-EYE. ATTACH TO PUMP LIFTING HANDLE.
- 9 1/4" STAINLESS STEEL CHAIN (S-4 ATTACHED TO PUMP HANDLE. PROVIDE CHAIN WITH 3/8" & 1/2" STAINLESS STEEL BOW SHACKLE WITH SCREW PIN ATTACHED TO PUMP HANDLE. ATTACH UPPER END OF CHAIN TO HOOK ON UPPER GUIDE BAR BRACKET.
- 10 WETWELL SEAL, KOR-N-SEAL.
- 11 PUMP LIQUID LEVEL CONTROL, FLYGT PRESSURE TRANSDUCER LS 100. PROVIDE PROBE MOUNTING BRACKET MOUNTED TO HATCH UNI-STRUT.
- 12 REDUNDANT CONTROL SYSTEM. CUSTOM MULTI-TRODE 3 SENSOR PROBE FOR REDUNDANT HIGH LEVEL ALARM AND PUMP START COMMAND.
- 13 NOT USED.
- 14 ROMTEC UTILITIES HDPE INFLUENT DEFLECTOR WITH FULL SIZE INSPECTION HOLE AND GUILLOTINE COVER.
- 15 1/8" STAINLESS STEEL LIFTING CABLE FOR INFLUENT DEFLECTOR INSPECTION HOLE COVER. PERMANENTLY ATTACH UPPER END OF CABLE TO HATCH UNI-STRUT.
- 16 FLYGT ALUMINUM ACCESS HATCH PRECAST INTO WETWELL TOP SLAB. PROVIDE WITH SAFE-HATCH SAFETY GRATE BY FLYGT. FLED-33X50A05H-700
- 17 ROMTEC UTILITIES PATENTED ALUMINUM CABLE HATCH AND WETWELL VENT PRECAST INTO WETWELL TOP SLAB. PROVIDE WITH STAINLESS STEEL HINGES AND SLAM-LOCK.
- 18 STAINLESS STEEL ANCHOR INSERTS FOR PUMP DISCONNECT PANEL.
- 19 STAINLESS STEEL ANCHOR INSERTS FOR PUMP DAVIT CRANE BASE.
- 20 NOT USED.

NO.	DATE	DESCRIPTION	BY
1	1-5-06	PRELIMINARY COMPONENT DRAWING	AD
		REVISIONS	



ROMTEC UTILITIES
 18240 NORTH BANK ROAD
 ROSEBURG, OR 97470
 (541)-496-3541
 FAX (541)-496-0803

JONATHAN GOLDMAN
 CHARTER OAK WW
 6' WETWELL
 4" DISCHARGE & VAULT
 FLYGT NP 3127 PUMPS