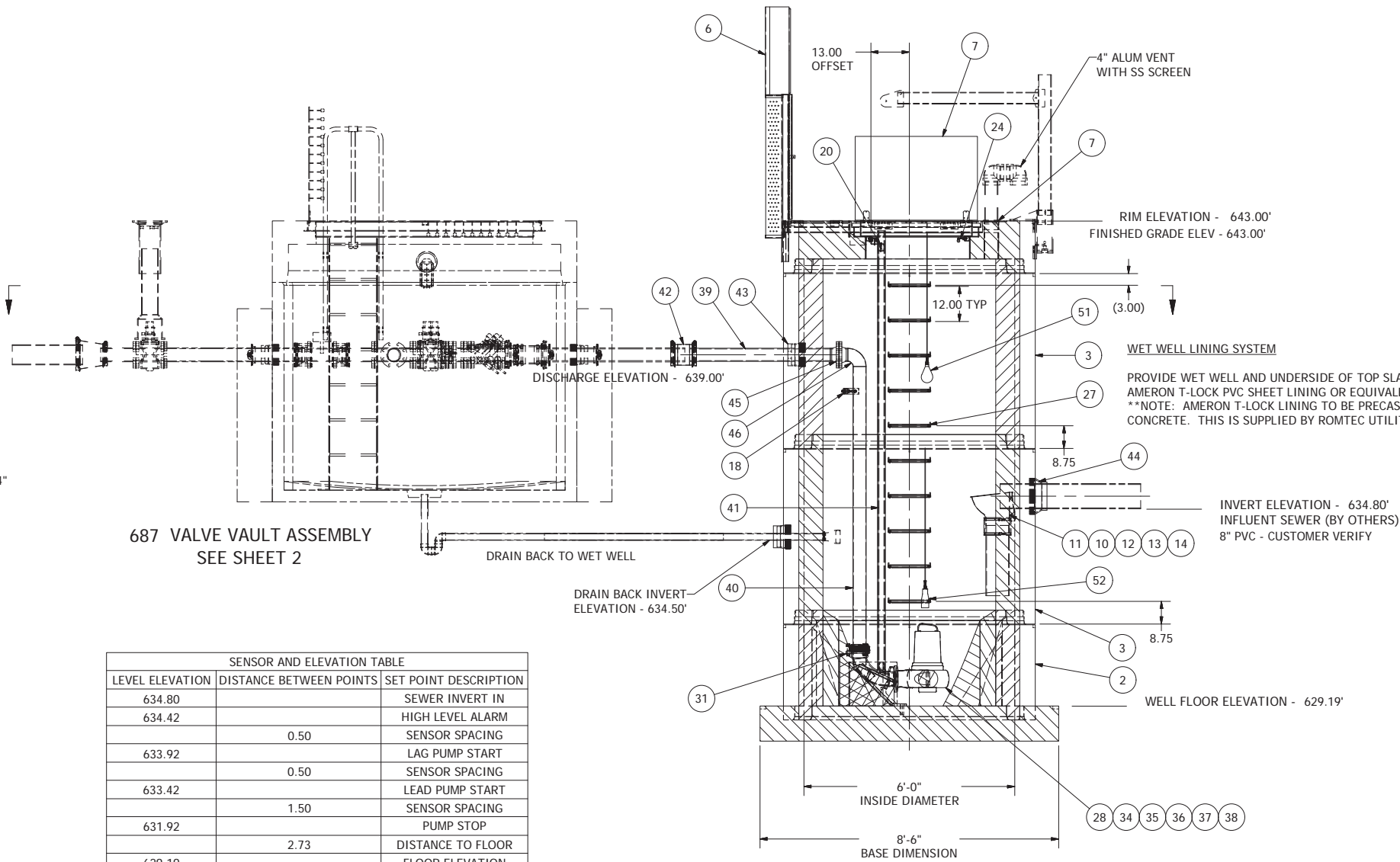
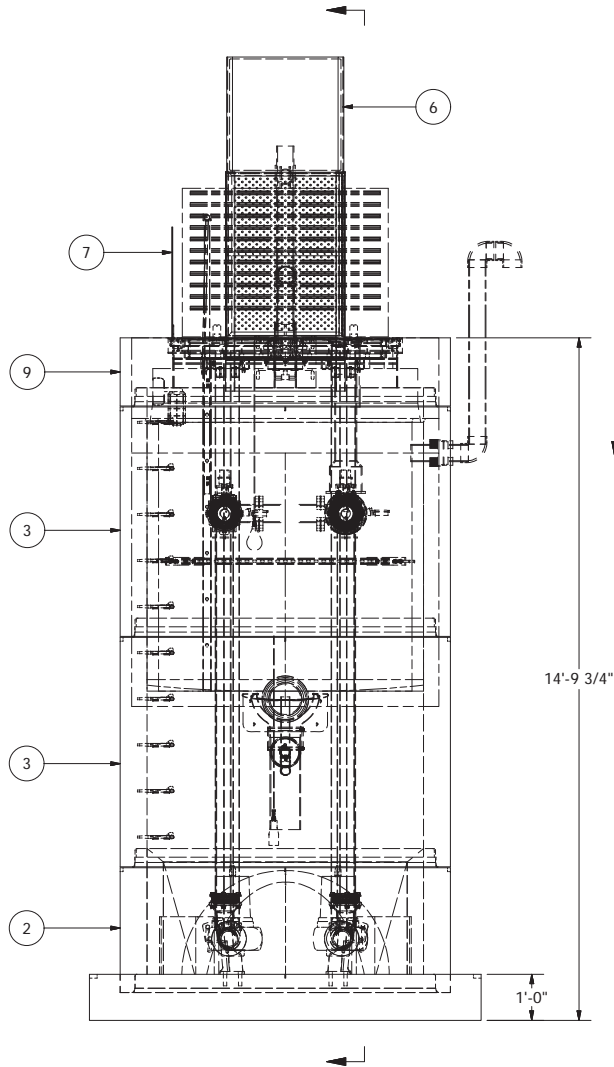


687 VALVE VAULT ASSEMBLY  
SEE SHEET 2

**NOTE: WET WELL TOP SLAB IS H-20 OCCASIONAL TRAFFIC RATED**



687 VALVE VAULT ASSEMBLY  
SEE SHEET 2

SENSOR AND ELEVATION TABLE		
LEVEL ELEVATION	DISTANCE BETWEEN POINTS	SET POINT DESCRIPTION
634.80		SEWER INVERT IN
634.42		HIGH LEVEL ALARM
633.92	0.50	SENSOR SPACING
633.92		LAG PUMP START
633.42	0.50	SENSOR SPACING
633.42		LEAD PUMP START
631.92	1.50	SENSOR SPACING
631.92		PUMP STOP
629.19	2.73	DISTANCE TO FLOOR
629.19		FLOOR ELEVATION

NOTE: ALL DIMENSIONS AND ELEVATIONS SHOWN ARE NOMINAL DIMENSIONS. IT IS THE RESPONSIBILITY OF THE ON-SITE CONTRACTOR OR ROMTEC UTILITIES CUSTOMER (NOT ROMTEC UTILITIES) TO VERIFY THE ACCURACY OF ANY CRITICAL DIMENSIONS OR ELEVATIONS PRIOR TO SETTING OR INSTALLING ANY EQUIPMENT.

**6' DIAMETER WET WELL  
4" SS DISCHARGE PIPING  
NP3102 FLYGT PUMPS  
4" SS - 687 VALVE VAULT**

ALL MATERIALS SHOWN ON THIS SHEET WILL BE SUPPLIED BY ROMTEC UTILITIES AND DELIVERED TO THE SITE AFTER THE HOLE HAS BEEN EXCAVATED AND SHORED. THE CONTRACTOR SHALL SUPPLY A CRANE OF SUFFICIENT SIZE TO LOWER ALL THE CONCRETE PIECES INTO THE HOLE SAFELY. THE CONTRACTOR SHALL INSTALL THE WET WELL (AND VALVE VAULT AND METERING VAULT IF APPLICABLE). ROMTEC UTILITIES WILL PROVIDE A REPRESENTATIVE FOR TECHNICAL ASSISTANCE ON THE DAY OF INSTALLATION TO ANSWER ANY QUESTIONS THAT MAY ARISE. THE CONTRACTOR IS RESPONSIBLE FOR ALL PLUMBING AND ELECTRICAL CONNECTIONS AND INSTALLATION. ITEMS NOTED AS "BY OTHERS" WILL BE PROVIDED AND INSTALLED BY THE CONTRACTOR. ROMTEC UTILITIES WILL NOT INSTALL ANY OF THE COMPONENTS SHOWN ON THIS PAGE.

© 2009 ROMTEC INC. ALL RIGHTS RESERVED. THESE PLANS AND DRAWINGS MAY NOT BE REPRODUCED, ADAPTED, OR FURTHER DISTRIBUTED, AND NO COMPONENTS MAY BE CONSTRUCTED FROM THESE PLANS, WITHOUT WRITTEN PERMISSION OF ROMTEC, INC.

VERIFY SCALE  
BAR IS ONE INCH ON ORIGINAL DRAWING  
1"  
IF NOT ONE INCH ON THIS SHEET, ADJUST SCALES PROPORTIONALLY  
0

COMPONENT DRAWING

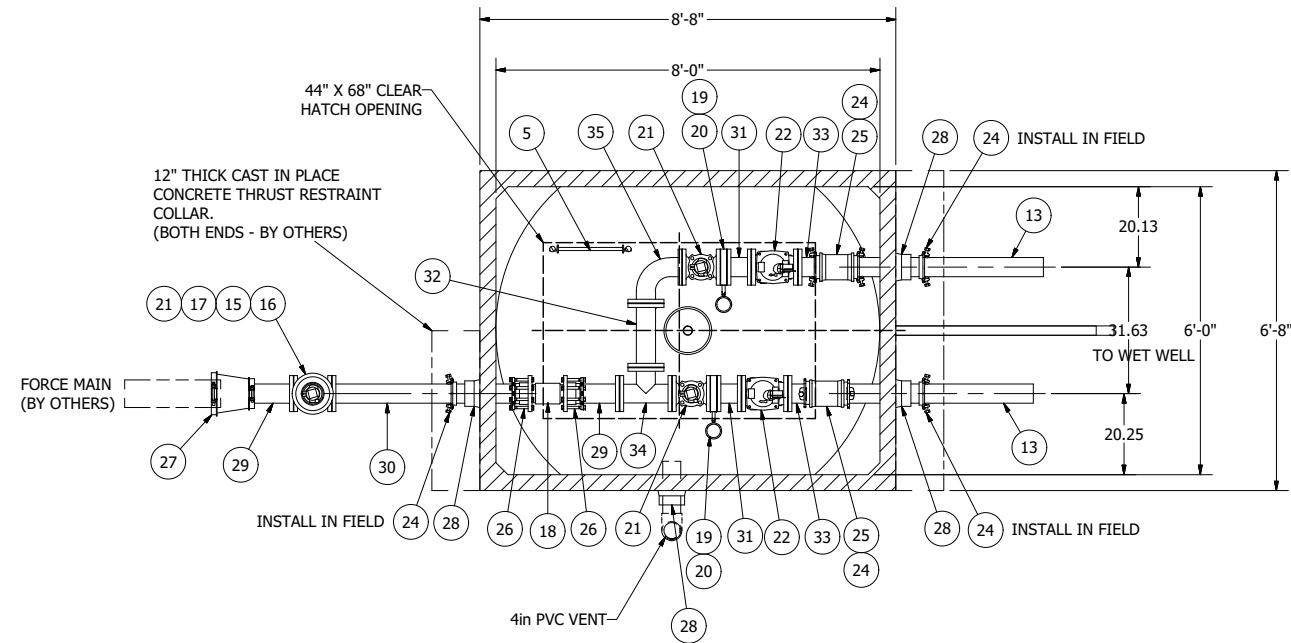
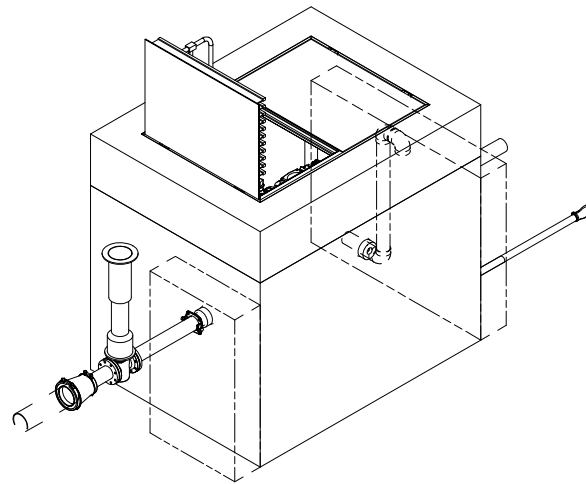
**ROMTEC UTILITIES**  
18240 NORTH BANK ROAD  
ROSEBURG, OREGON 97470  
(541) 496-9678  
FAX (541) 496-0804

MALLCRAFT, INC.  
SHEENA PAPPAS  
**CHINO MEN'S PRISON**  
**4" SS - 6' WET WELL**

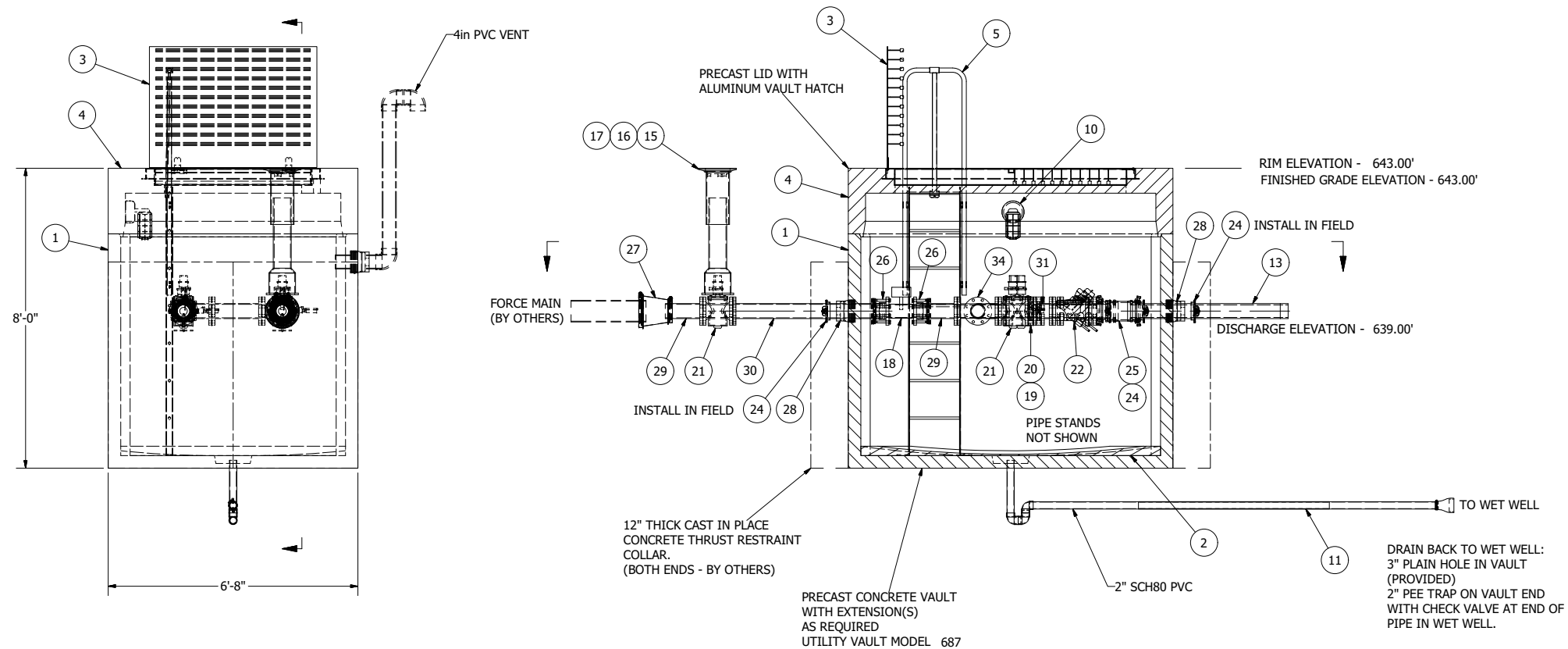
SHEET  
**1 OF 2**

JOB NUMBER  
**RMTC 0000**

REV	DESCRIPTION	DATE	APPROV
5	ADDED DRAIN BACK ELEVATION AT WET WELL	11/18/09	AD
4	UPDATED PER COMMENTS	11/13/09	AM
3	REMOVED EMERGENCY HAND CRANK	11/9/09	AD
2	CHANGED TO MERCURID PRESSURE TRANSDUCER	10/23/09	AM
1	COMPONENT DRAWING	10/21/09	AM
REV	DESCRIPTION	DATE	APPROV



**NOTE: VAULT TOP SLAB IS H-20 OCCASIONAL RATED**



NOTE: ALL DIMENSIONS AND ELEVATIONS SHOWN ARE NOMINAL DIMENSIONS. IT IS THE RESPONSIBILITY OF THE ON-SITE CONTRACTOR OR ROMTEC UTILITIES CUSTOMER (NOT ROMTEC UTILITIES) TO VERIFY THE ACCURACY OF ANY CRITICAL DIMENSIONS OR ELEVATIONS PRIOR TO SETTING OR INSTALLING ANY EQUIPMENT.

**687 VALVE VAULT  
4\"/>**

REV	DESCRIPTION	DATE	APPROV
1	COMPONENT DRAWING	10/22/09	AM
2	UPDATED PER COMMENTS	11/13/09	AM
3	REMOVED 21\"/>	11/18/19	AD
4	CHANGED FLOW METER TO ROSEMOUNT	11/24/09	AD

**COMPONENT DRAWING**

**ROMTEC UTILITIES**  
 18240 NORTH BANK ROAD  
 ROSEBURG, OREGON 97470  
 (541) 496-9678  
 FAX (541) 496-0804

MALLCRAFT, INC.  
 SHEENA PAPPAS  
**CHINO MEN'S PRISON**  
**4\"/>**