

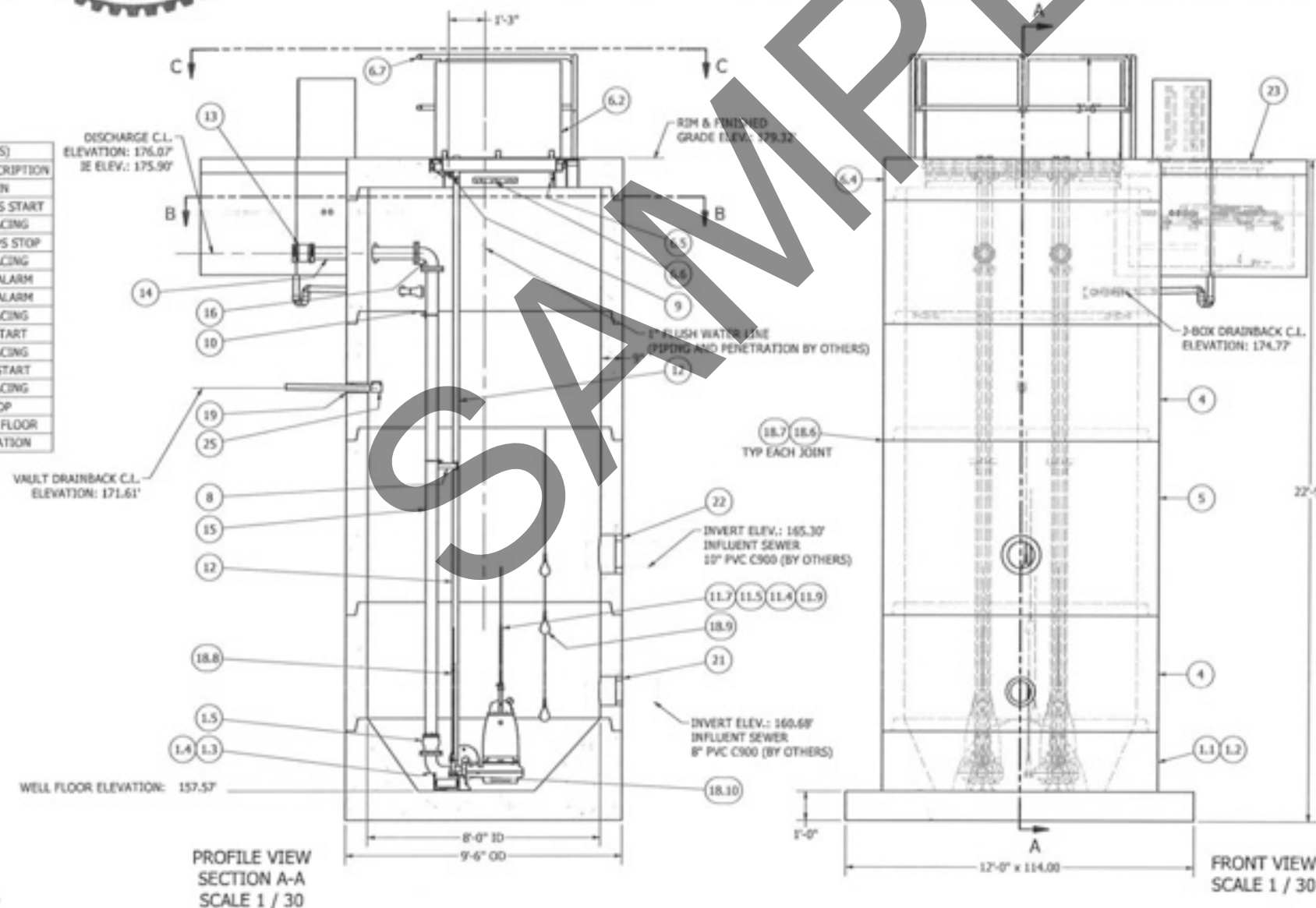
NOTE: WET WELL TOP SLAB IS H-20 OCCASIONAL TRAFFIC RATED

SENSOR AND ELEVATION TABLE (RECOMMENDED SETTINGS)		
LEVEL ELEVATION	DISTANCE BETWEEN POINTS	SET POINT DESCRIPTION
160.68 & 165.30		INVERT IN
---	---	BACK UP PUMPS START
---	---	SENSOR SPACING
---	---	BACK UP PUMPS STOP
---	---	SENSOR SPACING
---	---	BACK UP HL ALARM
163.07	0.50	HIGH LEVEL ALARM
---	---	SENSOR SPACING
162.57		LAG PUMP START
---	---	SENSOR SPACING
162.07	0.50	LEAD PUMP START
---	---	SENSOR SPACING
161.37	.7	PUMP STOP
---	---	DISTANCE TO FLOOR
157.57	3.75	FLOOR ELEVATION

NOTE:
CONDUIT TO CONTROL PANEL (BY OTHERS)
MINIMUM:
(2) FOR POWER
(1) FOR LEVEL SENSING

ALL MATERIALS SHOWN ON THIS SHEET WILL BE SUPPLIED BY ROMTEC UTILITIES AND DELIVERED TO THE SITE AFTER THE HOLE HAS BEEN EXCAVATED AND SHORED. THE CONTRACTOR SHALL SUPPLY A CRANE OF SUFFICIENT SIZE TO LOWER ALL THE CONCRETE PIECES INTO THE HOLE SAFELY. THE CONTRACTOR SHALL INSTALL THE WET WELL (AND VALVE VAULT AND METERING VAULT IF APPLICABLE). ROMTEC UTILITIES WILL PROVIDE A REPRESENTATIVE FOR TECHNICAL ASSISTANCE ON THE DAY OF INSTALLATION TO ANSWER ANY QUESTIONS THAT MAY ARISE. THE CONTRACTOR IS RESPONSIBLE FOR ALL PLUMBING AND ELECTRICAL CONNECTIONS AND INSTALLATION. ITEMS NOTED AS "BY OTHERS" WILL BE PROVIDED AND INSTALLED BY THE CONTRACTOR. ROMTEC UTILITIES WILL NOT INSTALL ANY OF THE COMPONENTS SHOWN ON THIS PAGE.

© 2016 ROMTEC INC. ALL RIGHTS RESERVED. THESE PLANS AND DRAWINGS MAY NOT BE REPRODUCED, ADAPTED, OR FURTHER DISTRIBUTED, AND NO COMPONENTS MAY BE CONSTRUCTED FROM THESE PLANS, WITHOUT WRITTEN PERMISSION OF ROMTEC, INC.



NOTES:
• BARRELS AND UNDERSIDE OF TOP SLAB ARE AMERON T-LOCK LINED
• ROMTEC UTILITIES IS SUPPLYING THE AMERON WELDING ONCE THE WET WELL IS COMPLETELY ASSEMBLED.
• CONTRACTOR TO GROUT SEAL ALL JOINTS AND PENETRATIONS PRIOR TO APPLICATION OF JOINT WRAP AND AMERON WELDING.

8' DIAMETER WET WELL
4" DISCHARGE PIPING
DUPLEX FLYGT PUMPS
4" 612 VAULT W/ METER

NOTE: SEE BAR SCALE IN THE TITLE BLOCK.
SCALES ARE INCH TO INCH (1" / XX")

NOTE: ALL DIMENSIONS AND ELEVATIONS SHOWN ARE NOMINAL DIMENSIONS. IT IS THE RESPONSIBILITY OF THE ON-SITE CONTRACTOR OR ROMTEC UTILITIES CUSTOMER (NOT ROMTEC UTILITIES) TO VERIFY THE ACCURACY OF ANY CRITICAL DIMENSIONS OR ELEVATIONS PRIOR TO SETTING OR INSTALLING ANY EQUIPMENT.

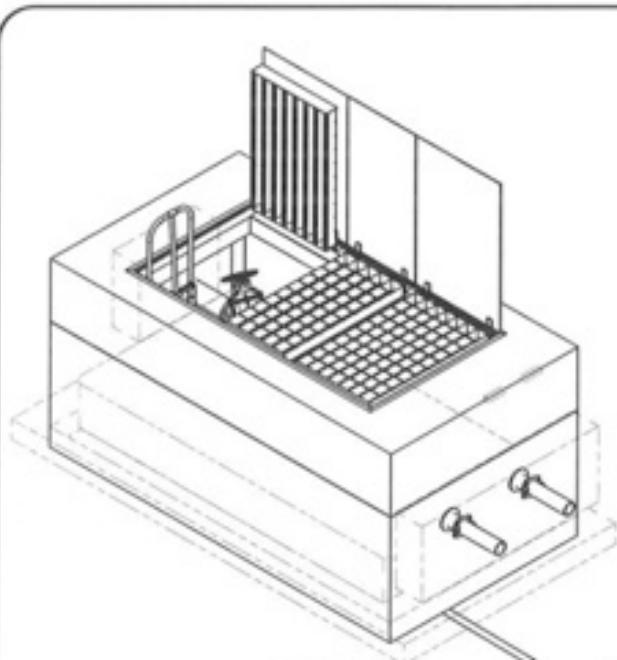
NO.	DATE	DESCRIPTION	APPROVED
1	8/13/2018	AD	
2	7/6/2018	REVISION COMMENTS	
3	4/27/2018	PER COMMENTS	
4	4/27/2018	PIPE ELEVATIONS	
5	4/4/2018	PER 3/20/18 - 3/26/18 COMMENTS	
6	3/21/2018	AD	
7	3/21/2018	AD	
8	12/13/2017	NEW RIM ELEVATION	
9	12/13/2017	AD	
10	6/22/2017	SAFETY RAIL, NY PUMPS, COMMENTS	
11	6/22/2017	AD	

COMPONENT
DRAWING

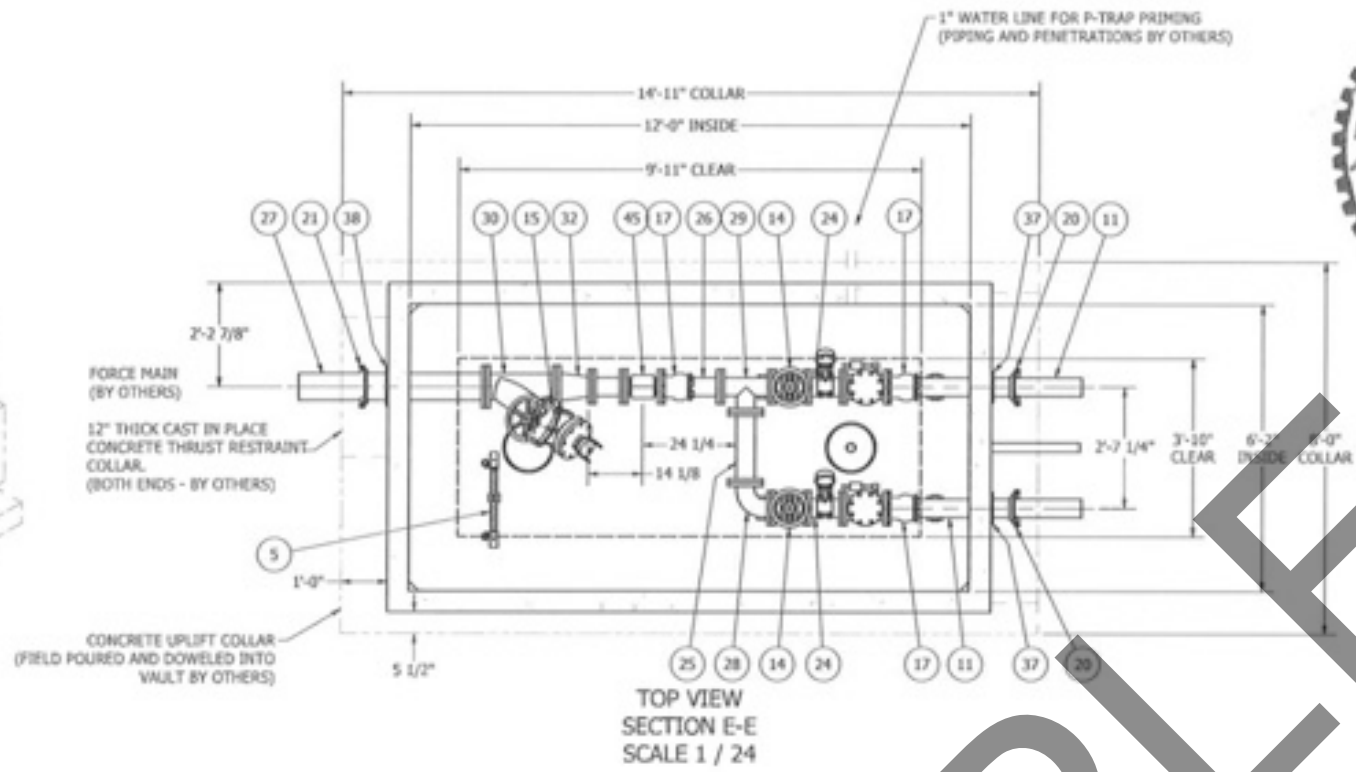
ROMTEC
UTILITIES
18240 NORTH BANK ROAD
ROSEBURG, OREGON 97470
(541) 496-9678
FAX (541) 496-0804

COLUMBIA PALISADES
WET WELL ASSEMBLY

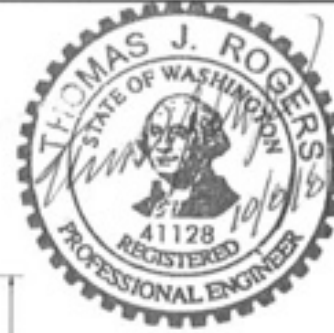
SHEET
1 OF 4
JOB NUMBER
RMTCC
0000



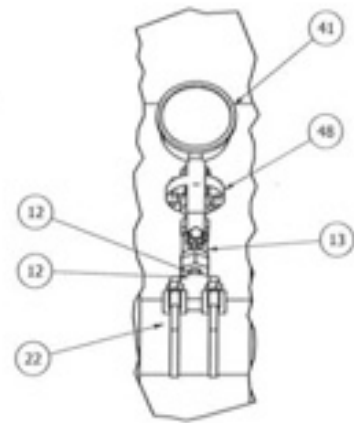
ISO VIEW
SCALE 1 / 30



TOP VIEW
SECTION E-E
SCALE 1 / 24



NOTE: VAULT TOP SLAB IS H-20 OCCASIONAL RATED

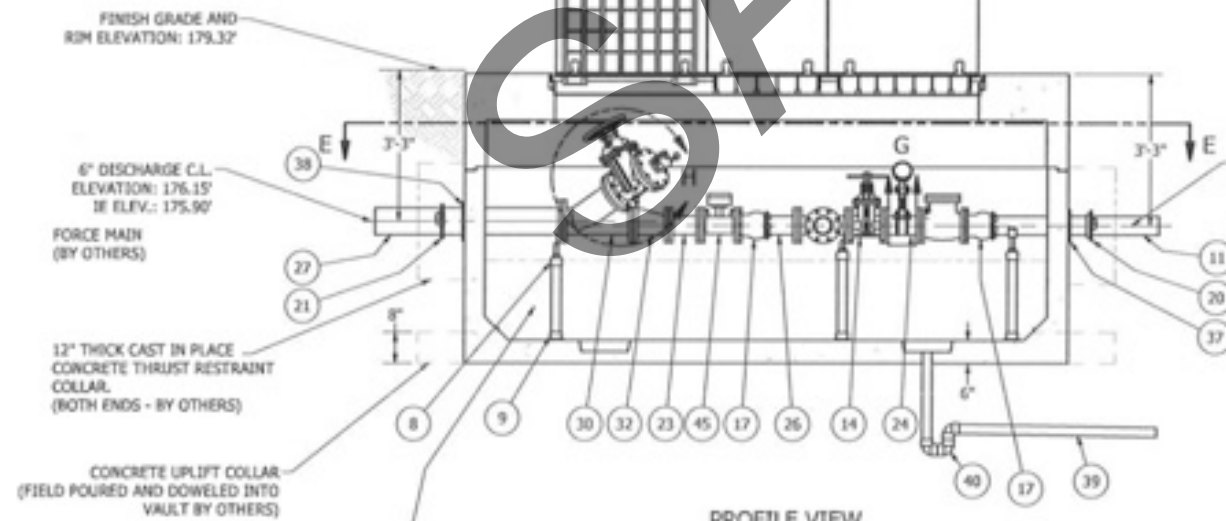


PRESSURE GAUGE
DETAIL G
SCALE 1 / 6

NOTE: GAUGE IS ROTATE APPROX. 30° FOR GROUND LEVEL VIEWING

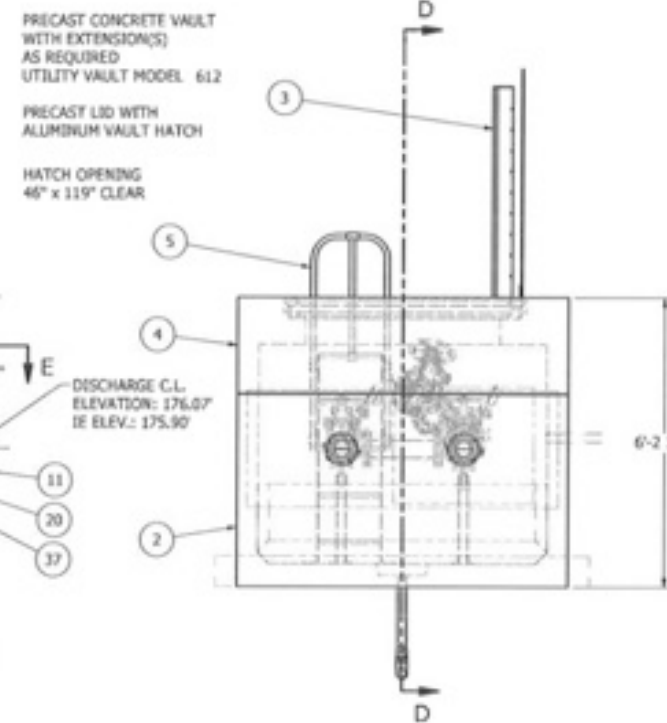
ALL MATERIALS SHOWN ON THIS SHEET WILL BE SUPPLIED BY ROMTEC UTILITIES AND DELIVERED TO THE SITE AFTER THE HOLE HAS BEEN EXCAVATED AND SHORED. THE CONTRACTOR SHALL SUPPLY A CRANE OF SUFFICIENT SIZE TO LOWER ALL THE CONCRETE PIECES INTO THE HOLE SAFELY. THE CONTRACTOR SHALL INSTALL THE WET WELL (AND VALVE VAULT AND METERING VAULT IF APPLICABLE). ROMTEC UTILITIES WILL PROVIDE A REPRESENTATIVE FOR TECHNICAL ASSISTANCE ON THE DAY OF INSTALLATION TO ANSWER ANY QUESTIONS THAT MAY ARISE. THE CONTRACTOR IS RESPONSIBLE FOR ALL PLUMBING AND ELECTRICAL CONNECTIONS AND INSTALLATION. ITEMS NOTED AS "BY OTHERS" WILL BE PROVIDED AND INSTALLED BY THE CONTRACTOR. ROMTEC UTILITIES WILL NOT INSTALL ANY OF THE COMPONENTS SHOWN ON THIS PAGE.

© 2016 ROMTEC INC. ALL RIGHTS RESERVED. THESE PLANS AND DRAWINGS MAY NOT BE REPRODUCED, ADAPTED, OR FURTHER DISTRIBUTED, AND NO COMPONENTS MAY BE CONSTRUCTED FROM THESE PLANS, WITHOUT WRITTEN PERMISSION OF ROMTEC, INC.

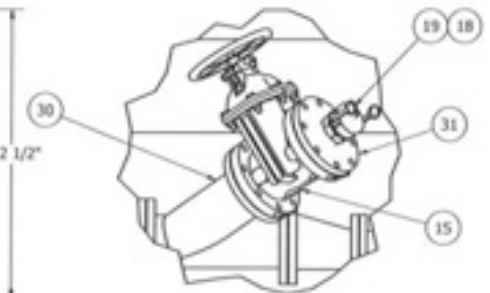


PROFILE VIEW
SECTION D-D
SCALE 1 / 24

NOTE: SOLENOID VALVE PROVIDED AT CONTROL SHELTER FOR KEEPING THE P-TRAPS PRIMED. CONTRACTOR TO PLUMB WATER LINE TO DISCHARGE INTO THE DRAIN.



INLET SIDE VIEW
SCALE 1 / 24



PUMPING/PIGGING PORT
DETAIL H
SCALE 1 / 12

NOTE: SEE BAR SCALE IN THE TITLE BLOCK. SCALES ARE INCH TO INCH (1" / 100")

NOTE: ALL DIMENSIONS AND ELEVATIONS SHOWN ARE NOMINAL DIMENSIONS. IT IS THE RESPONSIBILITY OF THE ON-SITE CONTRACTOR OR ROMTEC UTILITIES CUSTOMER (NOT ROMTEC UTILITIES) TO VERIFY THE ACCURACY OF ANY CRITICAL DIMENSIONS OR ELEVATIONS PRIOR TO SETTING OR INSTALLING ANY EQUIPMENT.

REVISION HISTORY

NO.	DATE	DESCRIPTION	BY	APPROVED
1	01/25/16	ISSUE FOR BIDDING	AS	AS
2	01/25/16	REVISIONS TO P-TRAP PRIMING	AS	AS
3	01/25/16	REVISIONS TO P-TRAP PRIMING	AS	AS
4	01/25/16	REVISIONS TO P-TRAP PRIMING	AS	AS
5	01/25/16	REVISIONS TO P-TRAP PRIMING	AS	AS
6	01/25/16	REVISIONS TO P-TRAP PRIMING	AS	AS
7	01/25/16	REVISIONS TO P-TRAP PRIMING	AS	AS

COMPONENT
DRAWING

ROMTEC UTILITIES
18240 NORTH BANK ROAD
ROSEBURG, OREGON 97470
(541) 496-9678
FAX (541) 496-0804

COLUMBIA PALISADES
VALVE VAULT ASSEMBLY

SHEET
2 OF 2

JOB NUMBER
RMT
0000