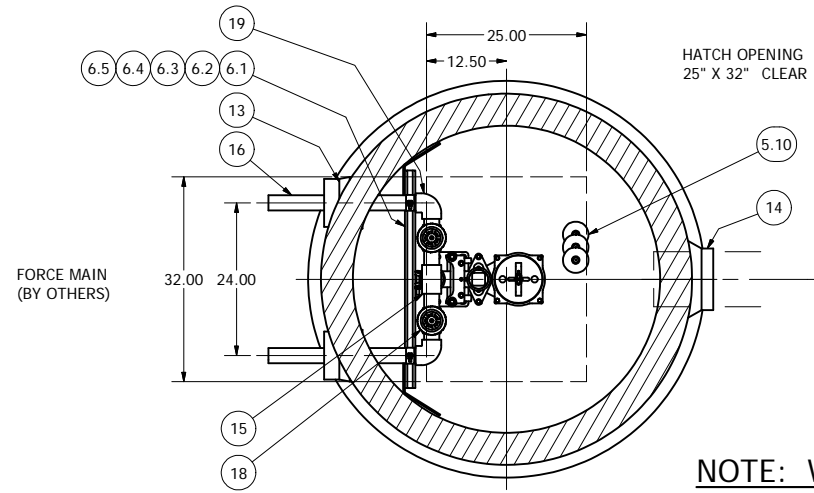
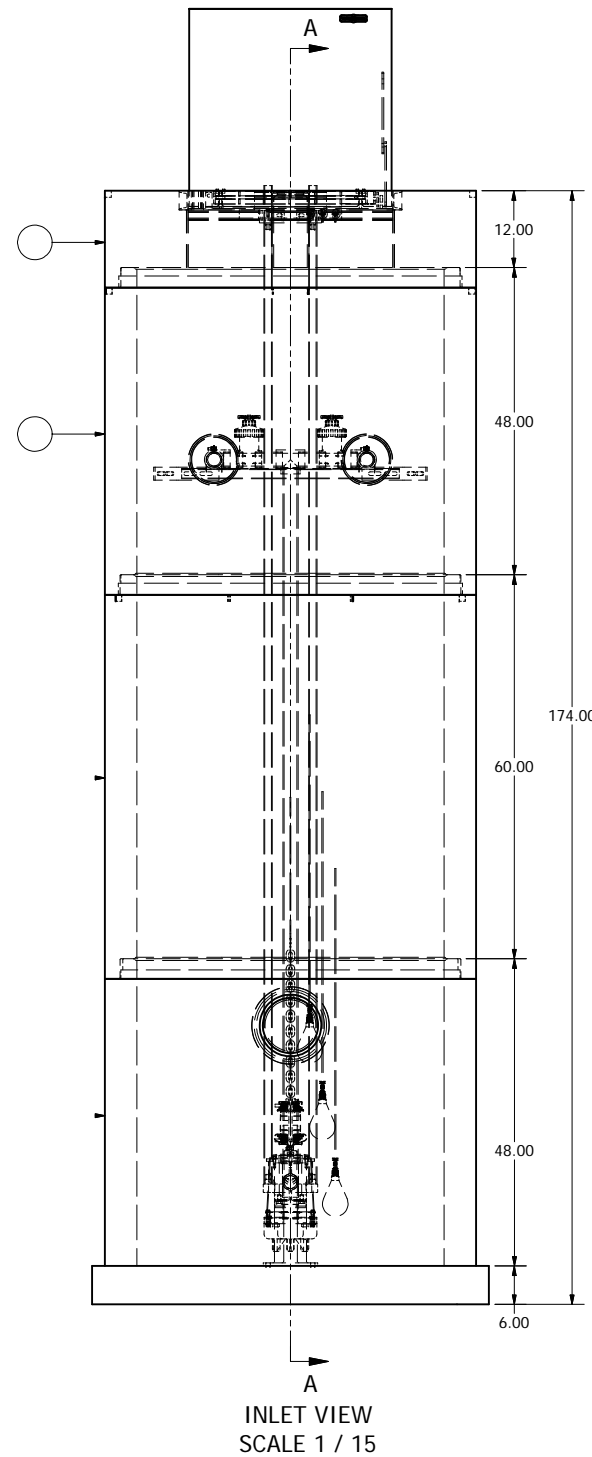
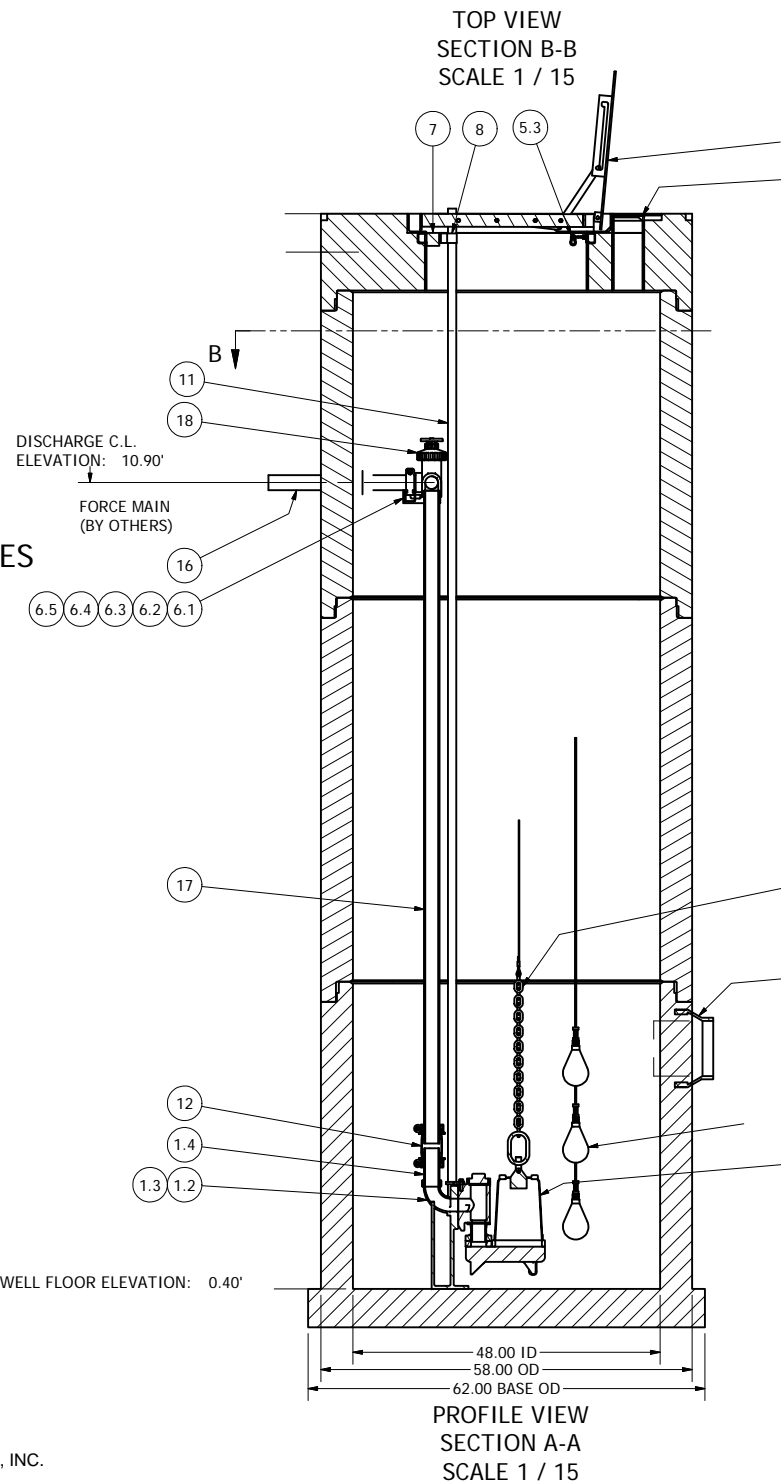


4' DIAMETER WET WELL
2" DISCHARGE PIPING
GOULDS 3887 BF PUMP
DUAL OUTLET W/ GATE VALVES



NOTE: WET WELL TOP SLAB IS PEDESTRIAN RATED



NOTE:
CONDUIT TO CONTROL PANEL (BY OTHERS)
MINIMUM:
(1) FOR POWER
(1) FOR LEVEL SENSING

ALL MATERIALS SHOWN ON THIS SHEET WILL BE SUPPLIED BY ROMTEC UTILITIES AND DELIVERED TO THE SITE AFTER THE HOLE HAS BEEN EXCAVATED AND SHORED. THE CONTRACTOR SHALL SUPPLY A CRANE OF SUFFICIENT SIZE TO LOWER ALL THE CONCRETE PIECES INTO THE HOLE SAFELY. THE CONTRACTOR SHALL INSTALL THE WET WELL (AND VALVE VAULT AND METERING VAULT IF APPLICABLE). ROMTEC UTILITIES WILL PROVIDE A REPRESENTATIVE FOR TECHNICAL ASSISTANCE ON THE DAY OF INSTALLATION TO ANSWER ANY QUESTIONS THAT MAY ARISE. THE CONTRACTOR IS RESPONSIBLE FOR ALL PLUMBING AND ELECTRICAL CONNECTIONS AND INSTALLATION. ITEMS NOTED AS "BY OTHERS" WILL BE PROVIDED AND INSTALLED BY THE CONTRACTOR. ROMTEC UTILITIES WILL NOT INSTALL ANY OF THE COMPONENTS SHOWN ON THIS PAGE.

© 2015 ROMTEC INC. ALL RIGHTS RESERVED. THESE PLANS AND DRAWINGS MAY NOT BE REPRODUCED, ADAPTED, OR FURTHER DISTRIBUTED, AND NO COMPONENTS MAY BE CONSTRUCTED FROM THESE PLANS, WITHOUT WRITTEN PERMISSION OF ROMTEC, INC.

NOTE: ALL DIMENSIONS AND ELEVATIONS SHOWN ARE NOMINAL DIMENSIONS. IT IS THE RESPONSIBILITY OF THE ON-SITE CONTRACTOR OR ROMTEC UTILITIES CUSTOMER (NOT ROMTEC UTILITIES) TO VERIFY THE ACCURACY OF ANY CRITICAL DIMENSIONS OR ELEVATIONS PRIOR TO SETTING OR INSTALLING ANY EQUIPMENT.

VERIFY SCALE
BAR IS ONE INCH ON ORIGINAL DRAWING
1"
0
IF NOT ONE INCH ON THIS SHEET, ADJUST SCALES PROPORTIONALLY
DSN - KEVIN BOGAN
DRN - KEVIN BOGAN
CKD - KEVIN BOGAN
DATE - 10-12-15

COMPONENT DRAWING

ROMTEC UTILITIES
18240 NORTH BANK ROAD
ROSEBURG, OREGON 97470
(541) 496-9678
FAX (541) 496-0804

FUSCOE ENGINEERING
DOHENY VILLAGE MWS
WET WELL ASSEMBLY

SHEET
1 OF 1
JOB NUMBER
RMTC
0000

REV	DESCRIPTION	DATE	APPROV
2	HIGH LEVEL ALARM ELEVATION CHANGE PER COMMENTS	3-31-16	AD
1.1	FORMAT ERROR CORRECTION	11-4-15	KB
1	POWER CHANGE TO 208V/1PHASE	10-22-15	AD
0	INITIAL DESIGN	10-12-15	KB