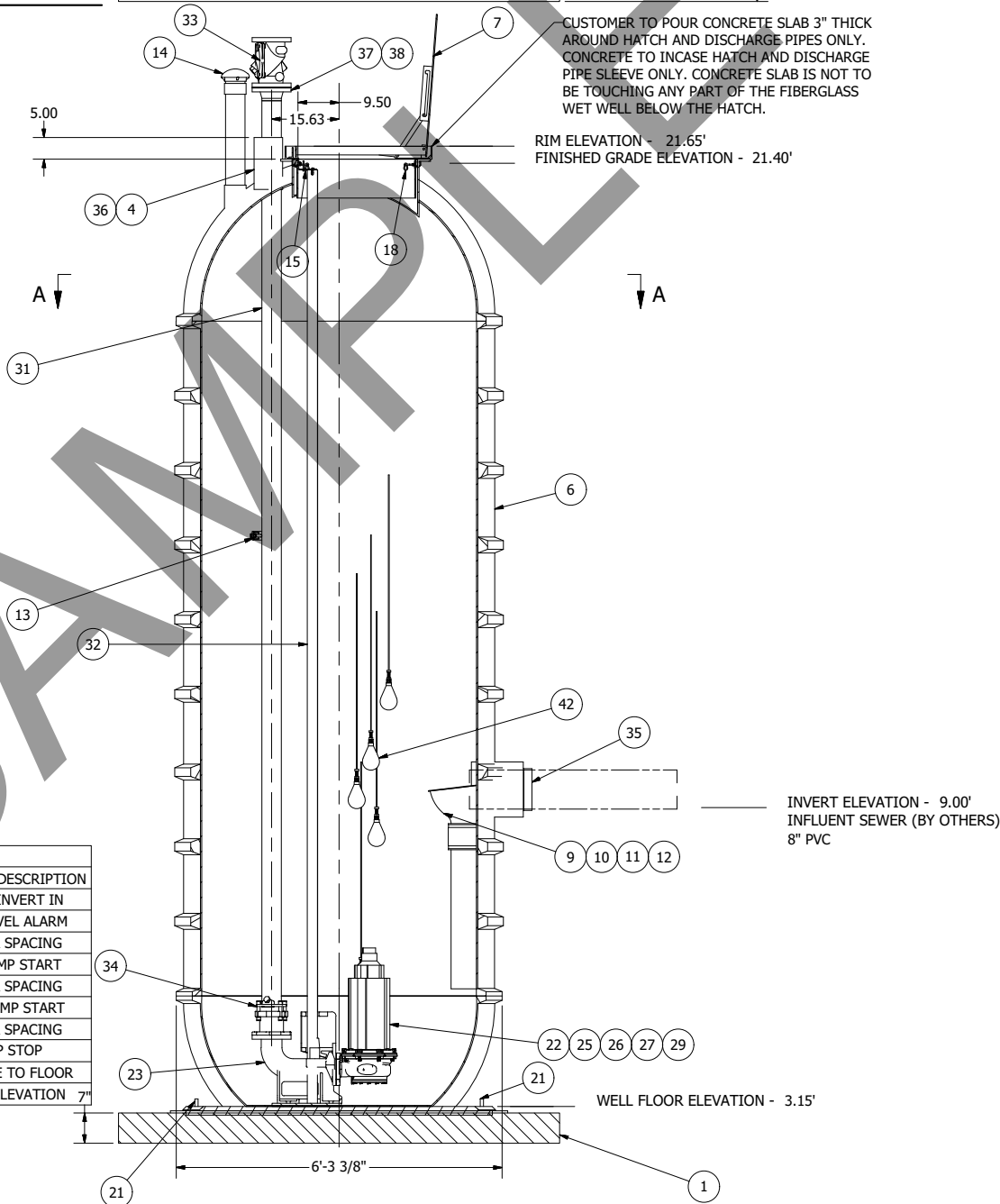
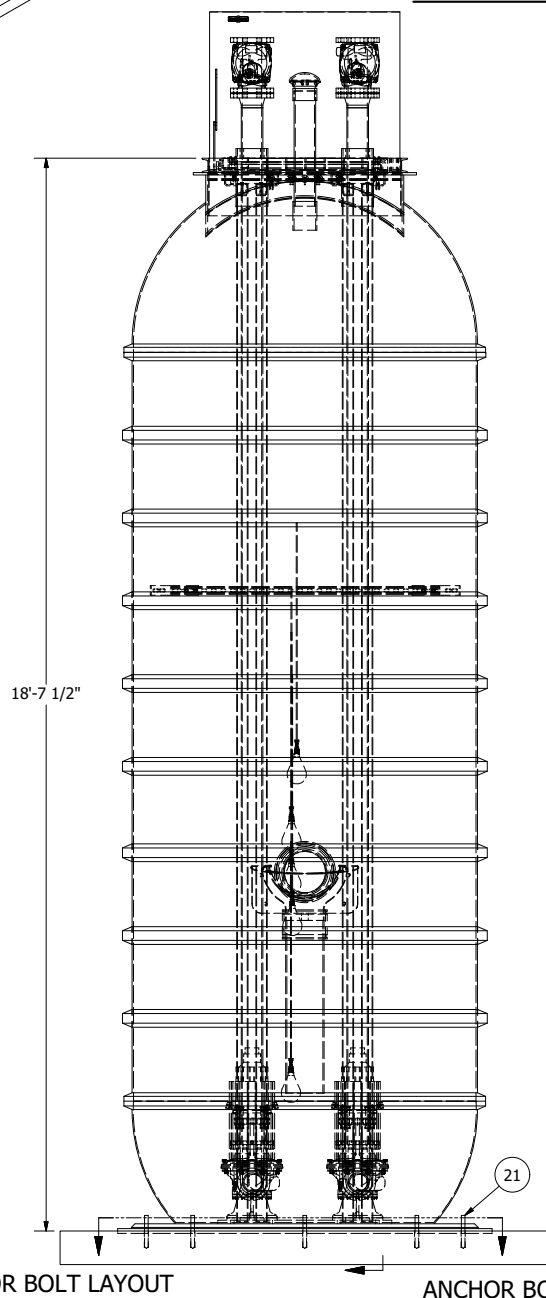


NOTE: WET WELL TOP SLAB IS PEDESTRIAN RATED



CUSTOMER TO POUR CONCRETE SLAB 3" THICK AROUND HATCH AND DISCHARGE PIPES ONLY. CONCRETE TO INCASE HATCH AND DISCHARGE PIPE SLEEVE ONLY. CONCRETE SLAB IS NOT TO BE TOUCHING ANY PART OF THE FIBERGLASS WET WELL BELOW THE HATCH.

SENSOR AND ELEVATION TABLE		
LEVEL ELEVATION	DISTANCE BETWEEN POINTS	SET POINT DESCRIPTION
9.00		SEWER INVERT IN
9.38		HIGH LEVEL ALARM
	0.50	SENSOR SPACING
8.88		LAG PUMP START
	0.50	SENSOR SPACING
8.38		LEAD PUMP START
	2.50	SENSOR SPACING
5.88		PUMP STOP
	2.73	DISTANCE TO FLOOR
3.15		FLOOR ELEVATION

NOTE: ALL DIMENSIONS AND ELEVATIONS SHOWN ARE NOMINAL DIMENSIONS. IT IS THE RESPONSIBILITY OF THE ON-SITE CONTRACTOR OR ROMTEC UTILITIES CUSTOMER (NOT ROMTEC UTILITIES) TO VERIFY THE ACCURACY OF ANY CRITICAL DIMENSIONS OR ELEVATIONS PRIOR TO SETTING OR INSTALLING ANY EQUIPMENT.

6' DIAMETER WET WELL 4" SS DISCHARGE PIPING VAUGHAN PUMPS

ALL MATERIALS SHOWN ON THIS SHEET WILL BE SUPPLIED BY ROMTEC UTILITIES AND DELIVERED TO THE SITE AFTER THE HOLE HAS BEEN EXCAVATED AND SHORED. THE CONTRACTOR SHALL SUPPLY A CRANE OF SUFFICIENT SIZE TO LOWER ALL THE CONCRETE PIECES INTO THE HOLE SAFELY. THE CONTRACTOR SHALL INSTALL THE WET WELL (AND VALVE VAULT AND METERING VAULT IF APPLICABLE). ROMTEC UTILITIES WILL PROVIDE A REPRESENTATIVE FOR TECHNICAL ASSISTANCE ON THE DAY OF INSTALLATION TO ANSWER ANY QUESTIONS THAT MAY ARISE. THE CONTRACTOR IS RESPONSIBLE FOR ALL PLUMBING AND ELECTRICAL CONNECTIONS AND INSTALLATION. ITEMS NOTED AS "BY OTHERS" WILL BE PROVIDED AND INSTALLED BY THE CONTRACTOR. ROMTEC UTILITIES WILL NOT INSTALL ANY OF THE COMPONENTS SHOWN ON THIS PAGE.

© 2009 ROMTEC INC. ALL RIGHTS RESERVED. THESE PLANS AND DRAWINGS MAY NOT BE REPRODUCED, ADAPTED, OR FURTHER DISTRIBUTED, AND NO COMPONENTS MAY BE CONSTRUCTED FROM THESE PLANS, WITHOUT WRITTEN PERMISSION OF ROMTEC, INC.

REV	DESCRIPTION	DATE	APPROV
7	CHANGE TO 8" PIPE AND BOOT FOR INFLUENT	12/08/10	AM
6	CHANGED DISCHARGE ELBOW HOLE PATTERN	11-18-10	AD
5	UPDATED FOR PRODUCTION LAUNCH	10-22-10	AD
4	CHANGED DISCHARGE PIPE & ADDED SLAB	10-14-10	AM
3	ADDED CONCRETE BASE SLAB	10-06-10	AM
2	ADDED CHECK VALVES	9-14-10	AD
1	COMPONENT DRAWING	9-9-10	AD

VERIFY SCALE
BAR IS ONE INCH ON ORIGINAL DRAWING

1"
IF NOT ONE INCH ON THIS SHEET, ADJUST SIZES PROPORTIONALLY

0

DSN - AD
DRN - AD
CKD - AD
DATE - 9-9-10

ROMTEC UTILITIES
18240 NORTH BANK ROAD
ROSEBURG, OREGON 97470
(541) 496-9678
FAX (541) 496-0804

MICHAEL NORMAND

DOW CHEMICAL

COMPONENT DRAWING

SHEET
1 of 1

JOB NUMBER
RMTC 0000