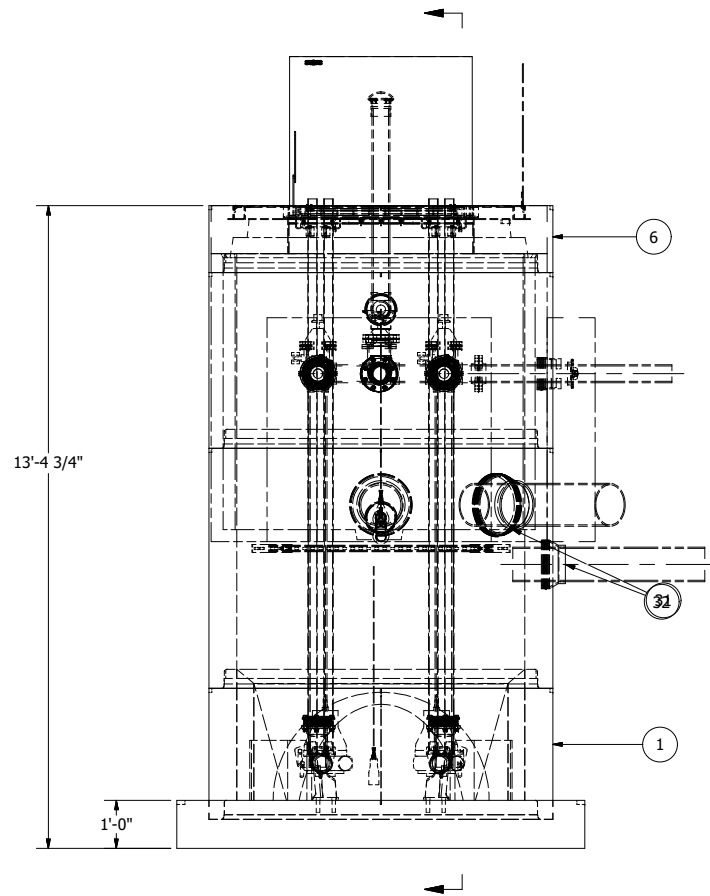
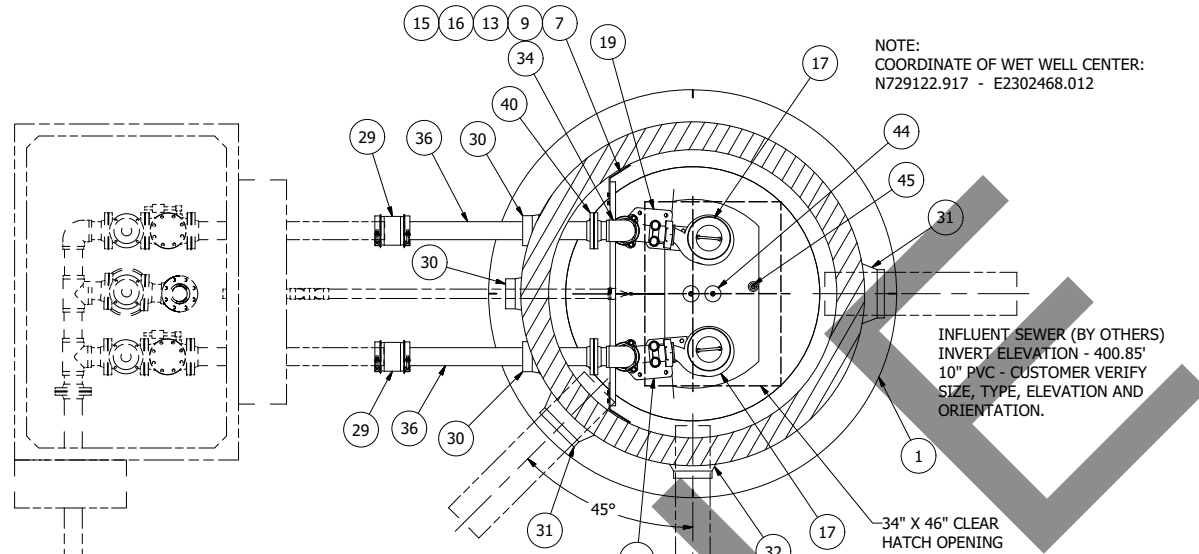


SENSOR AND ELEVATION TABLE		
LEVEL ELEVATION	DISTANCE BETWEEN POINTS	SET POINT DESCRIPTION
399.61		SEWER INVERT IN
399.11		HIGH LEVEL ALARM
398.61	0.50	SENSOR SPACING
398.11	0.50	LAG PUMP START
398.11	0.50	LEAD PUMP START
396.61	1.50	SENSOR SPACING
396.61	1.50	PUMP STOP
395.11	1.50	DISTANCE TO FLOOR
395.11		FLOOR ELEVATION



577 VALVE VAULT ASSEMBLY  
SEE SHEET 2



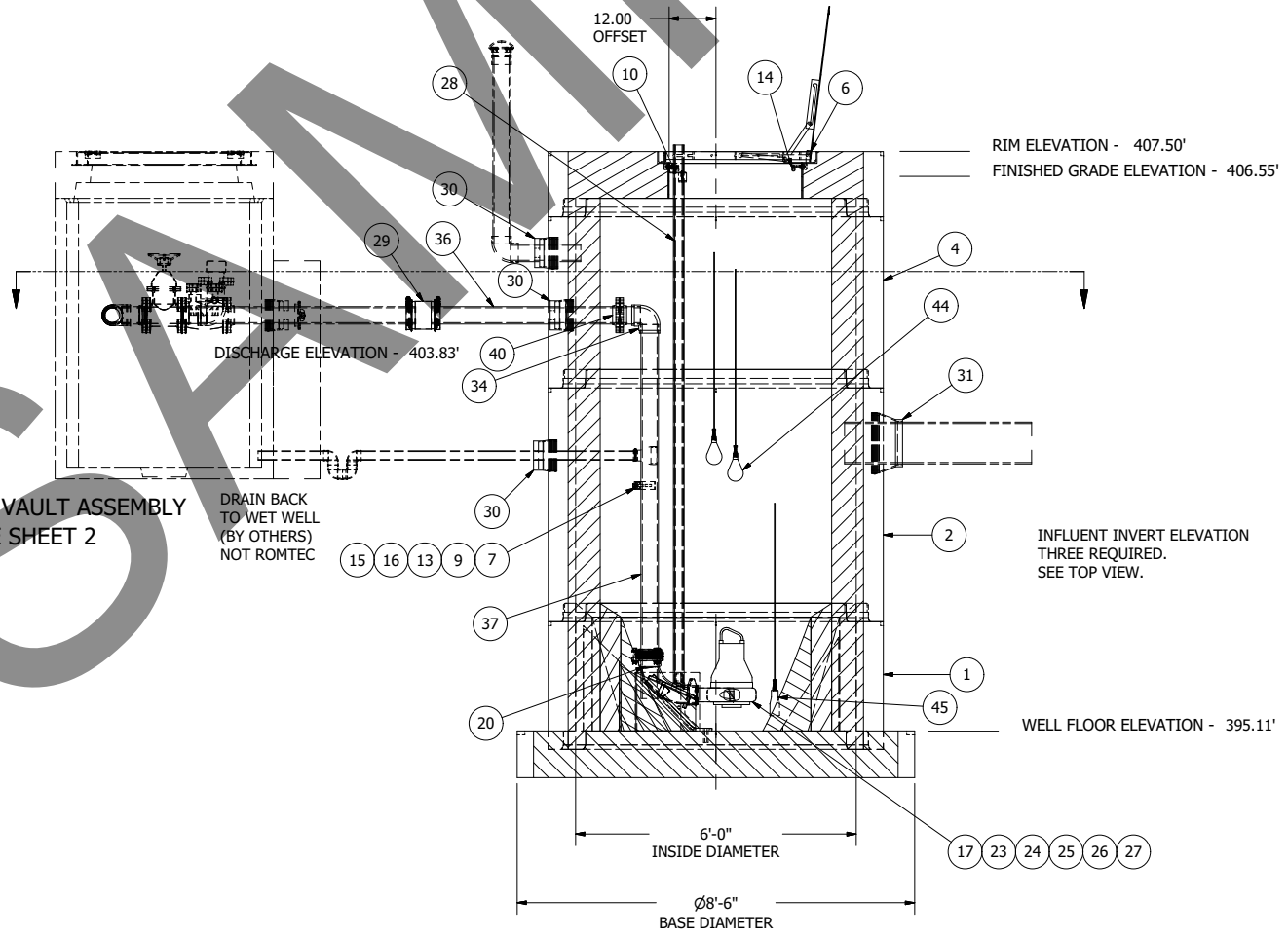
NOTE:  
COORDINATE OF WET WELL CENTER:  
N729122.917 - E2302468.012

INFLUENT SEWER (BY OTHERS)  
INVERT ELEVATION - 400.85'  
10" PVC - CUSTOMER VERIFY  
SIZE, TYPE, ELEVATION AND  
ORIENTATION.

INFLUENT SEWER (BY OTHERS)  
INVERT ELEVATION - 399.61'  
10" PVC - CUSTOMER VERIFY  
SIZE, TYPE, ELEVATION AND  
ORIENTATION.

INFLUENT SEWER (BY OTHERS)  
INVERT ELEVATION - 400.85'  
8" PVC - CUSTOMER VERIFY  
SIZE, TYPE, ELEVATION AND  
ORIENTATION.

NOTE: WET WELL TOP SLAB IS PEDESTRIAN RATED



RIM ELEVATION - 407.50'  
FINISHED GRADE ELEVATION - 406.55'

INFLUENT INVERT ELEVATION  
THREE REQUIRED.  
SEE TOP VIEW.

WELL FLOOR ELEVATION - 395.11'

6'-0" INSIDE DIAMETER

Ø8'-6" BASE DIAMETER

DRAIN BACK  
TO WET WELL  
(BY OTHERS)  
NOT ROMTEC

© 2010 ROMTEC INC. ALL RIGHTS RESERVED. THESE PLANS AND DRAWINGS MAY NOT BE REPRODUCED, ADAPTED, OR FURTHER DISTRIBUTED, AND NO COMPONENTS MAY BE CONSTRUCTED FROM THESE PLANS, WITHOUT WRITTEN PERMISSION OF ROMTEC, INC.

NOTE: ALL DIMENSIONS AND ELEVATIONS SHOWN ARE NOMINAL DIMENSIONS. IT IS THE RESPONSIBILITY OF THE ON-SITE CONTRACTOR OR ROMTEC UTILITIES CUSTOMER (NOT ROMTEC UTILITIES) TO VERIFY THE ACCURACY OF ANY CRITICAL DIMENSIONS OR ELEVATIONS PRIOR TO SETTING OR INSTALLING ANY EQUIPMENT.

**6' DIAMETER WET WELL  
4" DISCHARGE PIPING  
NP3085 FLYGT PUMPS  
4" - 577 VALVE VAULT**

ALL MATERIALS SHOWN ON THIS SHEET WILL BE SUPPLIED BY ROMTEC UTILITIES AND DELIVERED TO THE SITE AFTER THE HOLE HAS BEEN EXCAVATED AND SHORED. THE CONTRACTOR SHALL SUPPLY A CRANE OF SUFFICIENT SIZE TO LOWER ALL THE CONCRETE PIECES INTO THE HOLE SAFELY. THE CONTRACTOR SHALL INSTALL THE WET WELL (AND VALVE VAULT AND METERING VAULT IF APPLICABLE). ROMTEC UTILITIES WILL PROVIDE A REPRESENTATIVE FOR TECHNICAL ASSISTANCE ON THE DAY OF INSTALLATION TO ANSWER ANY QUESTIONS THAT MAY ARISE. THE CONTRACTOR IS RESPONSIBLE FOR ALL PLUMBING AND ELECTRICAL CONNECTIONS AND INSTALLATION. ITEMS NOTED AS "BY OTHERS" WILL BE PROVIDED AND INSTALLED BY THE CONTRACTOR. ROMTEC UTILITIES WILL NOT INSTALL ANY OF THE COMPONENTS SHOWN ON THIS PAGE.

REV	DESCRIPTION	DATE	APPROV
1	ELEVATION CHANGES PER CUSTOMER	04/26/10	AM
2	FLOOR HATCHES CHANGED TO H20	06/11/10	AM
3	CHANGED PUMP FROM 2.2HP TO 3HP	07/08/10	AM
4	ADDED 3 FLOATS PER COMMENTS	09/02/10	AD
5	CHANGED POWER TO 3 PHASE	10-13-10	AD

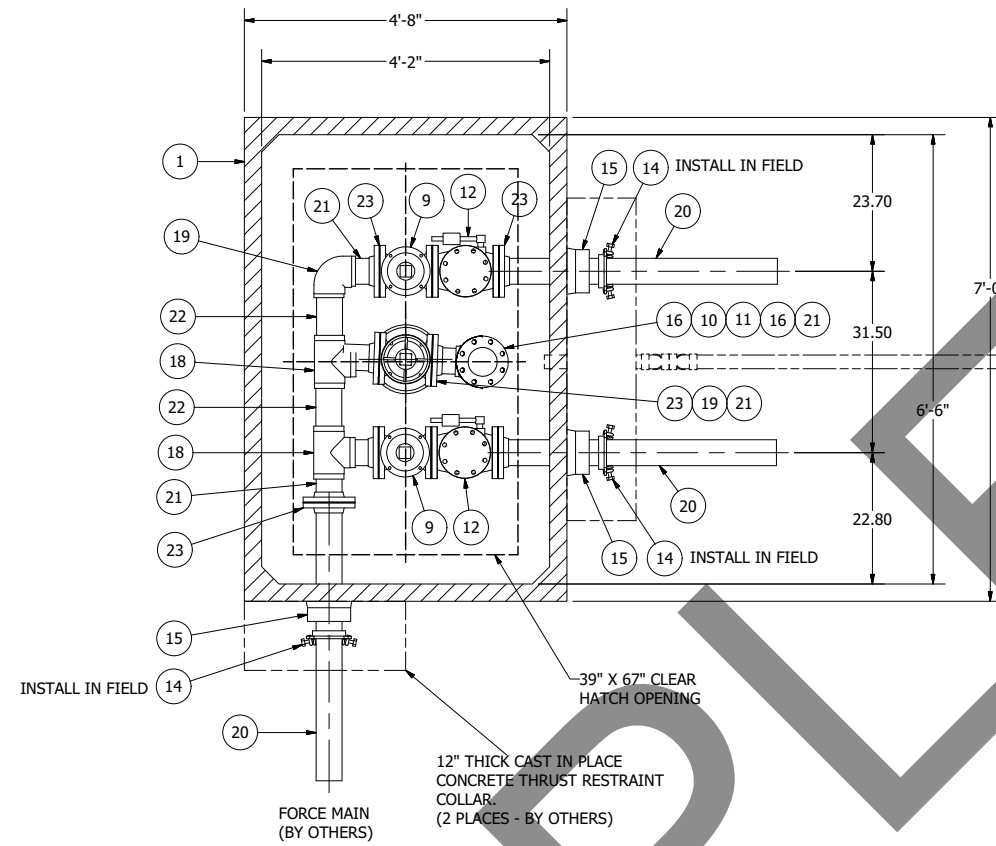
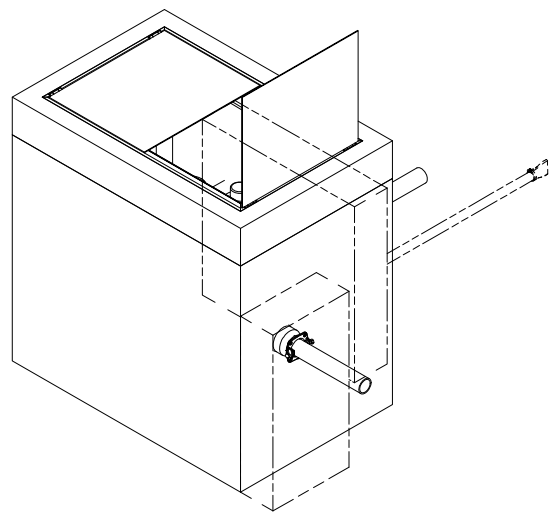
VERIFY SCALE  
BAR IS ONE INCH ON ORIGINAL DRAWING  
1"  
0 IF NOT ONE INCH ON THIS SHEET, ADJUST SCALES PROPORTIONALLY  
DSN - AM  
DRN - AM  
CKD - AM  
DATE - 02/10/10  
REV  
DESCRIPTION  
DATE  
APPROV

**ROMTEC UTILITIES**  
18240 NORTH BANK ROAD  
ROSEBURG, OREGON 97470  
(541) 496-9678  
FAX (541) 496-0804

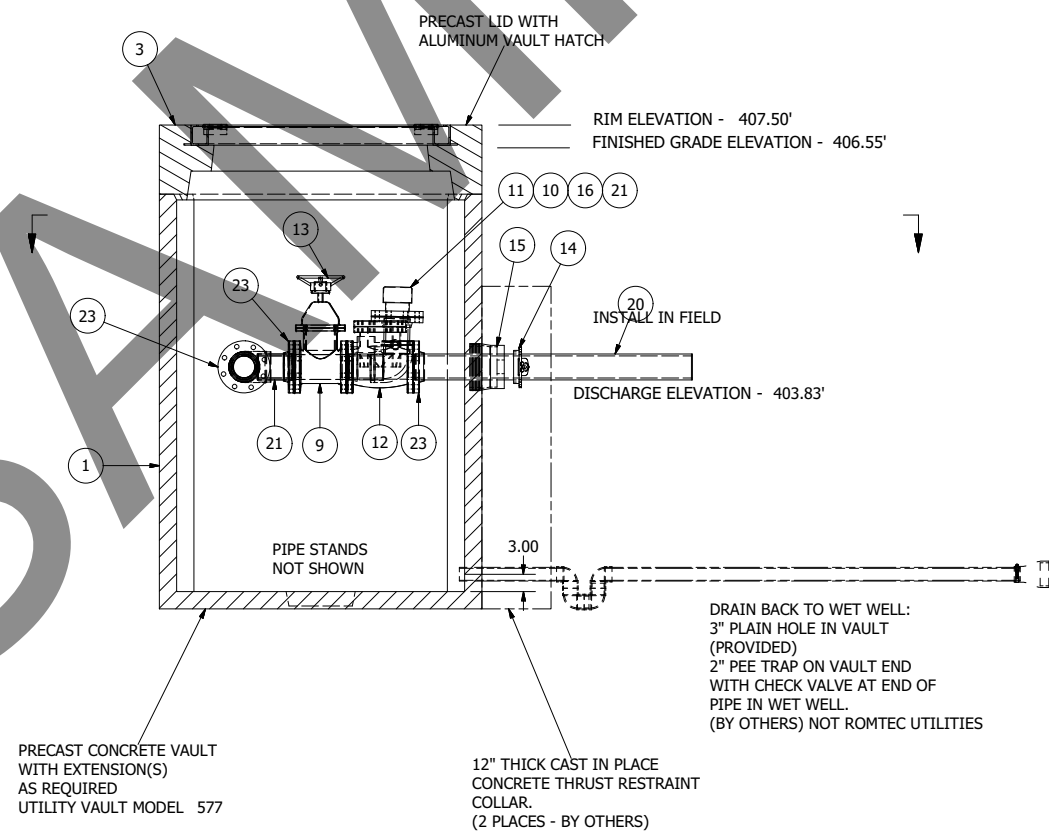
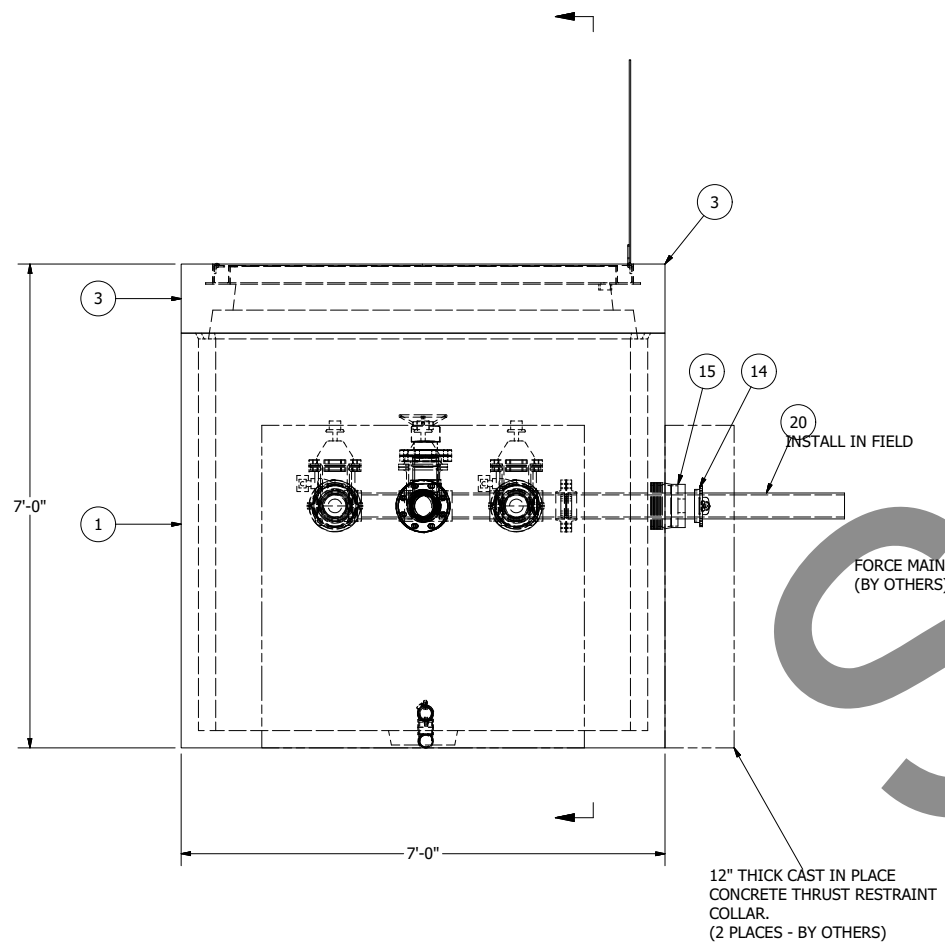
**COMPONENT DRAWING**

**EAGLE PARK ACRES #1  
4" - 6' DIA WET WELL**

SHEET  
**1 OF 2**  
JOB NUMBER  
**RMTC  
0000**



**NOTE: VAULT TOP SLAB IS PEDESTRIAN RATED**



DRAIN BACK TO WET WELL:  
3" PLAIN HOLE IN VAULT (PROVIDED)  
2" PEE TRAP ON VAULT END WITH CHECK VALVE AT END OF PIPE IN WET WELL. (BY OTHERS) NOT ROMTEC UTILITIES

FLAP VALVE PROVIDED AND INSTALLED BY THE CONTRACTOR. (NOT ROMTEC UTILITIES)

NOTE: ALL DIMENSIONS AND ELEVATIONS SHOWN ARE NOMINAL DIMENSIONS. IT IS THE RESPONSIBILITY OF THE ON-SITE CONTRACTOR OR ROMTEC UTILITIES CUSTOMER (NOT ROMTEC UTILITIES) TO VERIFY THE ACCURACY OF ANY CRITICAL DIMENSIONS OR ELEVATIONS PRIOR TO SETTING OR INSTALLING ANY EQUIPMENT.

**577 VALVE VAULT  
4" PIPING AND VALVES  
WITH PUMPING PORT**

VERIFY SCALE  
BAR IS ONE INCH ON ORIGINAL DRAWING  
1"  
0 IF NOT ONE INCH ON THIS SHEET, ADJUST SCALE ACCORDINGLY  
DSN - AM  
DRN - AM  
CKD -  
DATE - 02/10/10

**COMPONENT DRAWING**

**ROMTEC UTILITIES**  
18240 NORTH BANK ROAD  
ROSEBURG, OREGON 97470  
(541) 496-9678  
FAX (541) 496-0804

**EAGLE PARK ACRES #1  
4" - 577 VALVE VAULT**

SHEET  
**2 OF 2**  
JOB NUMBER  
**RMTC  
0000**

REV	DESCRIPTION	DATE	APPROV
4	CHANGED TO PED. AND ELEV. 402.83 TO 403.83	10-18-10	AD
3	CHANGES PER 08/23/10 COMMENTS	08/26/10	AM
2	HATCHES CHANGED TO R20	06/10/10	AM
1	COMPONENT DRAWING	02/10/10	AM