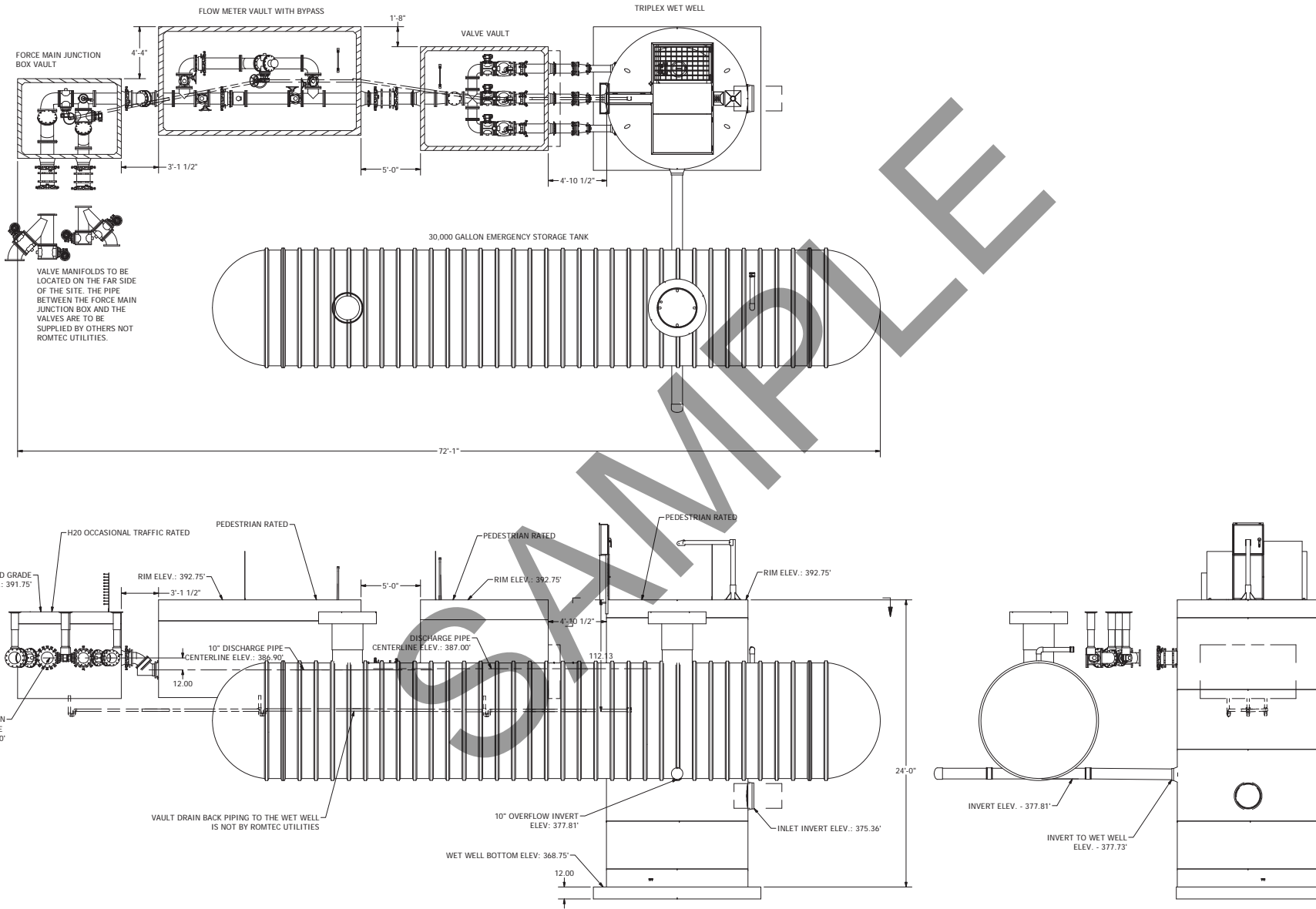


© 2015 ROMTEC INC. ALL RIGHTS RESERVED. THESE PLANS AND DRAWINGS MAY NOT BE REPRODUCED, ADAPTED, OR FURTHER DISTRIBUTED, AND NO COMPONENTS MAY BE CONSTRUCTED FROM THESE PLANS, WITHOUT WRITTEN PERMISSION OF ROMTEC, INC.



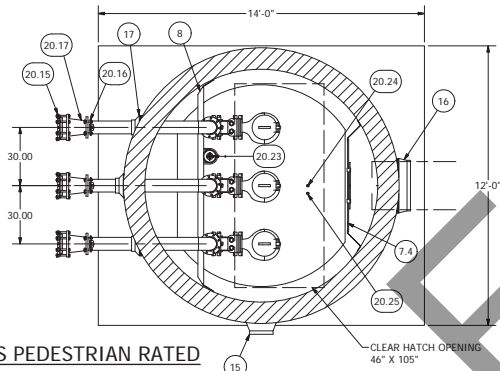
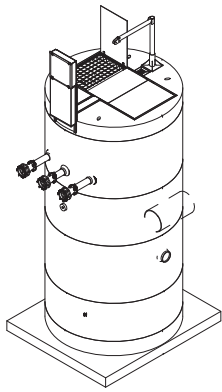
NO.	DATE	DESCRIPTION	BY	CHKD.	APP'D.
0	11-26-14	ISSUED FOR PERMITS	AD	AD	AD
1	11-26-14	REVISED PER SITE LAYOUT AND ELEVATIONS	AD	AD	AD
2	11-26-14	MOVED STORAGE TANK PIPE LOCATION	AD	AD	AD
3	11-26-14	REVISED PER SITE LAYOUT AND ELEVATIONS	AD	AD	AD
4	11-26-14	REVISED INLET ELEV. PER GRAVITY PIPE	AD	AD	AD

ROMTEC UTILITIES
 18240 NORTH BANK ROAD
 ROSEBURG, OREGON 97470
 (541) 496-9678
 FAX (541) 496-0804

GOSSAMER GROVE
 LIFT STATION LAYOUT

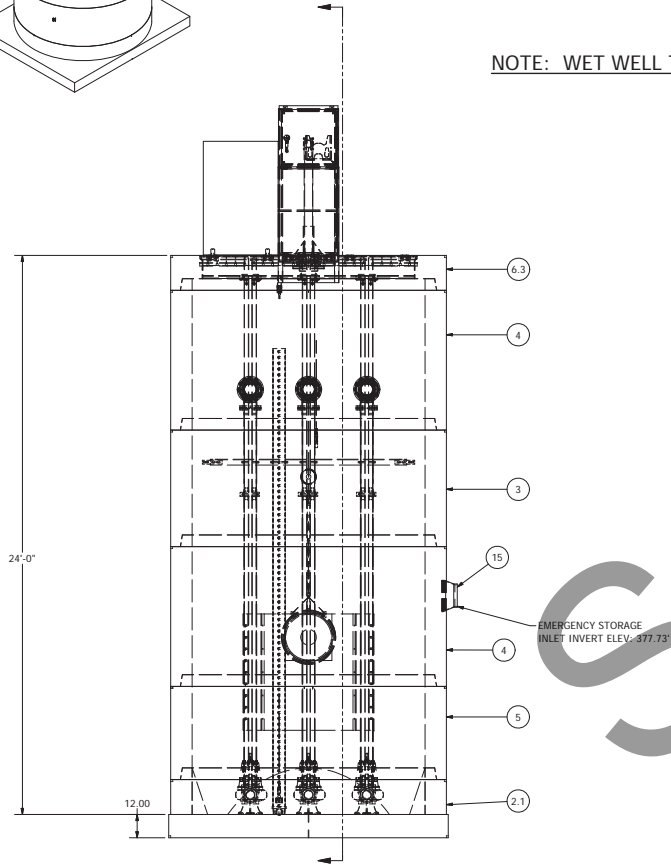
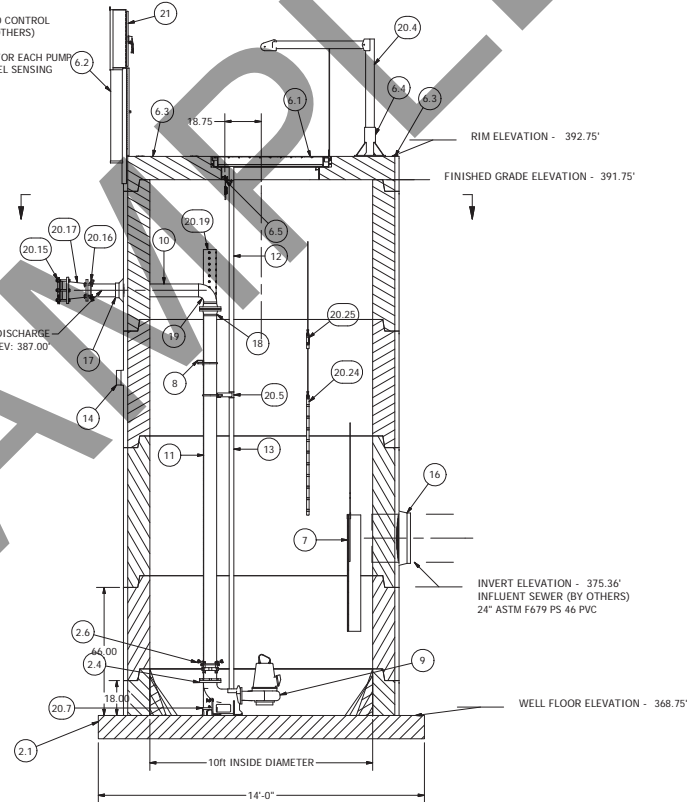
SHEET
 1 OF 1

JOB NUMBER
 RMTC
 0000



NOTE: WET WELL TOP SLAB IS PEDESTRIAN RATED

NOTE:
CONDUIT TO CONTROL
PANEL (BY OTHERS)
MINIMUM
(3) POWER FOR EACH PUMP
(1) FOR LEVEL SENSING



© 2015 ROMTEC INC. ALL RIGHTS RESERVED. THESE PLANS AND DRAWINGS MAY NOT BE REPRODUCED, ADAPTED, OR FURTHER DISTRIBUTED, AND NO COMPONENTS MAY BE CONSTRUCTED FROM THESE PLANS, WITHOUT WRITTEN PERMISSION OF ROMTEC, INC.

NOTE: ALL DIMENSIONS AND ELEVATIONS SHOWN ARE NOMINAL DIMENSIONS. IT IS THE RESPONSIBILITY OF THE ON-SITE CONTRACTOR OR ROMTEC UTILITIES CUSTOMER (NOT ROMTEC UTILITIES) TO VERIFY THE ACCURACY OF ANY CRITICAL DIMENSIONS OR ELEVATIONS PRIOR TO SETTING OR INSTALLING ANY EQUIPMENT.

ALL MATERIALS SHOWN ON THIS SHEET WILL BE SUPPLIED BY ROMTEC UTILITIES AND DELIVERED TO THE SITE AFTER THE HOLE HAS BEEN EXCAVATED AND SHORED. THE CONTRACTOR SHALL SUPPLY A CRANE OF SUFFICIENT SIZE TO LOWER ALL THE CONCRETE PIECES INTO THE HOLE SAFELY. THE CONTRACTOR SHALL INSTALL THE WET WELL (AND VALVE VAULT AND METERING VAULT IF APPLICABLE). ROMTEC UTILITIES WILL PROVIDE A REPRESENTATIVE FOR TECHNICAL ASSISTANCE ON THE DAY OF INSTALLATION TO ANSWER ANY QUESTIONS THAT MAY ARISE. THE CONTRACTOR IS RESPONSIBLE FOR ALL PLUMBING AND ELECTRICAL CONNECTIONS AND INSTALLATION. ITEMS NOTED AS "BY OTHERS" WILL BE PROVIDED AND INSTALLED BY THE CONTRACTOR. ROMTEC UTILITIES WILL NOT INSTALL ANY OF THE COMPONENTS SHOWN ON THIS PAGE.

REV	DESCRIPTION	DATE	APPROV
4	REVISED INLET PIPE PER AS BUILT	6-4-15	AD
3	REVISED FOR PRE LAUNCH	3-13-15	AD
2	REVISED PER NEW ELEVATIONS	3-3-15	AD
1	ADDED EMERGENCY STORAGE INLET INVERT	1-1-14	AD
0	ISSUED FOR BIDDING	11-25-14	AD

COMPONENT DRAWING

ROMTEC UTILITIES
18240 NORTH BANK ROAD
ROSEBURG, OREGON 97470
(541) 496-9678
FAX (541) 496-0804

GOSSAMER GROVE
10' WET WELL - 6" PIPING

SHEET
1 OF 1
JOB NUMBER
RMTCC
0000