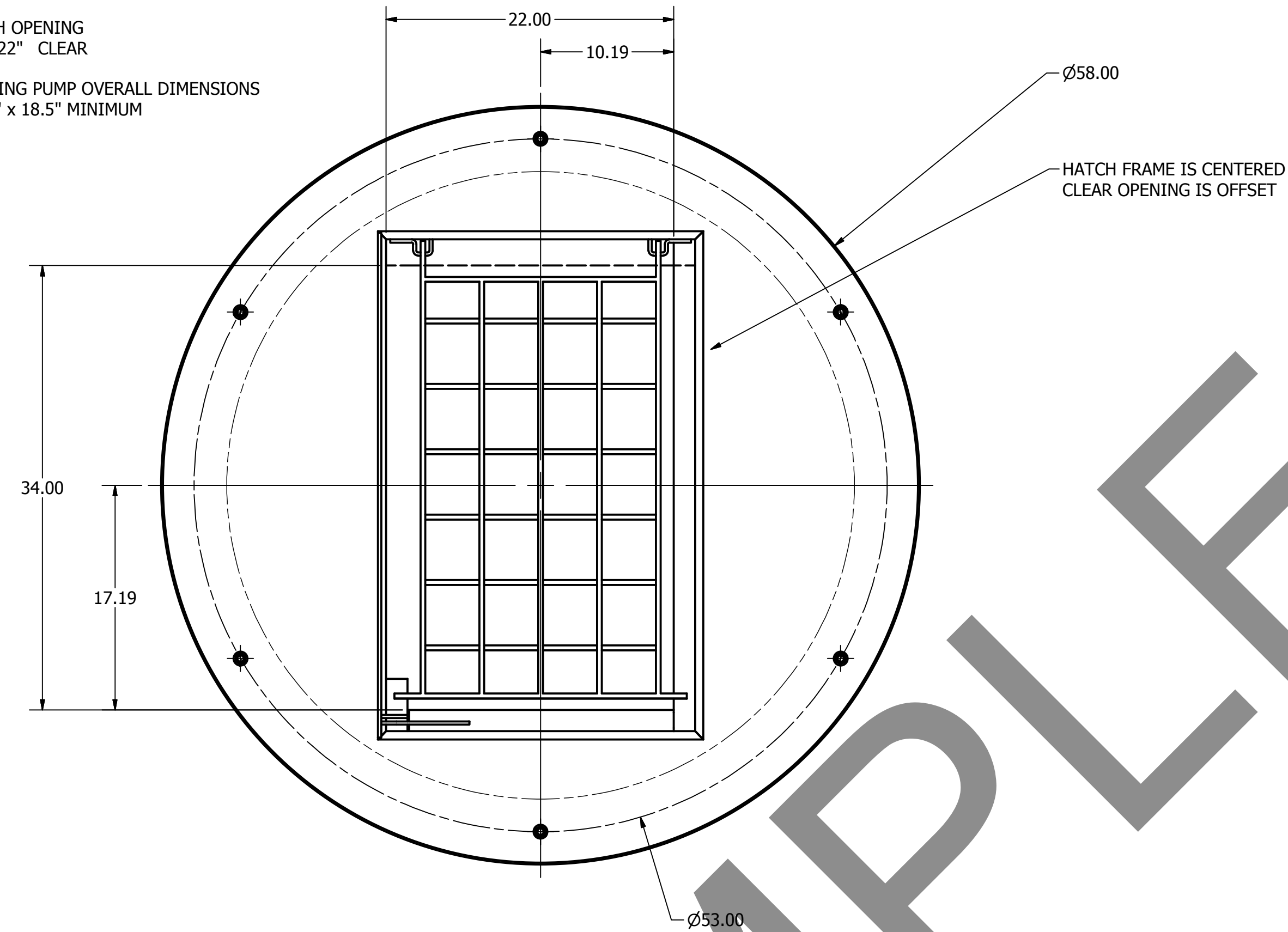
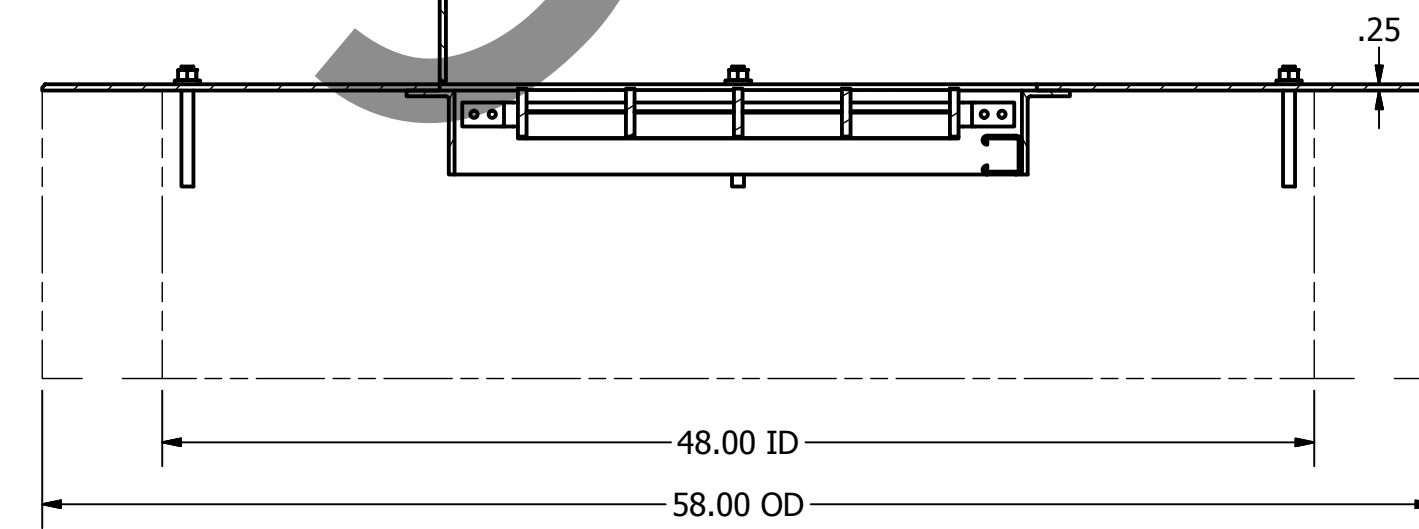


ISO VIEW
SCALE 1/10

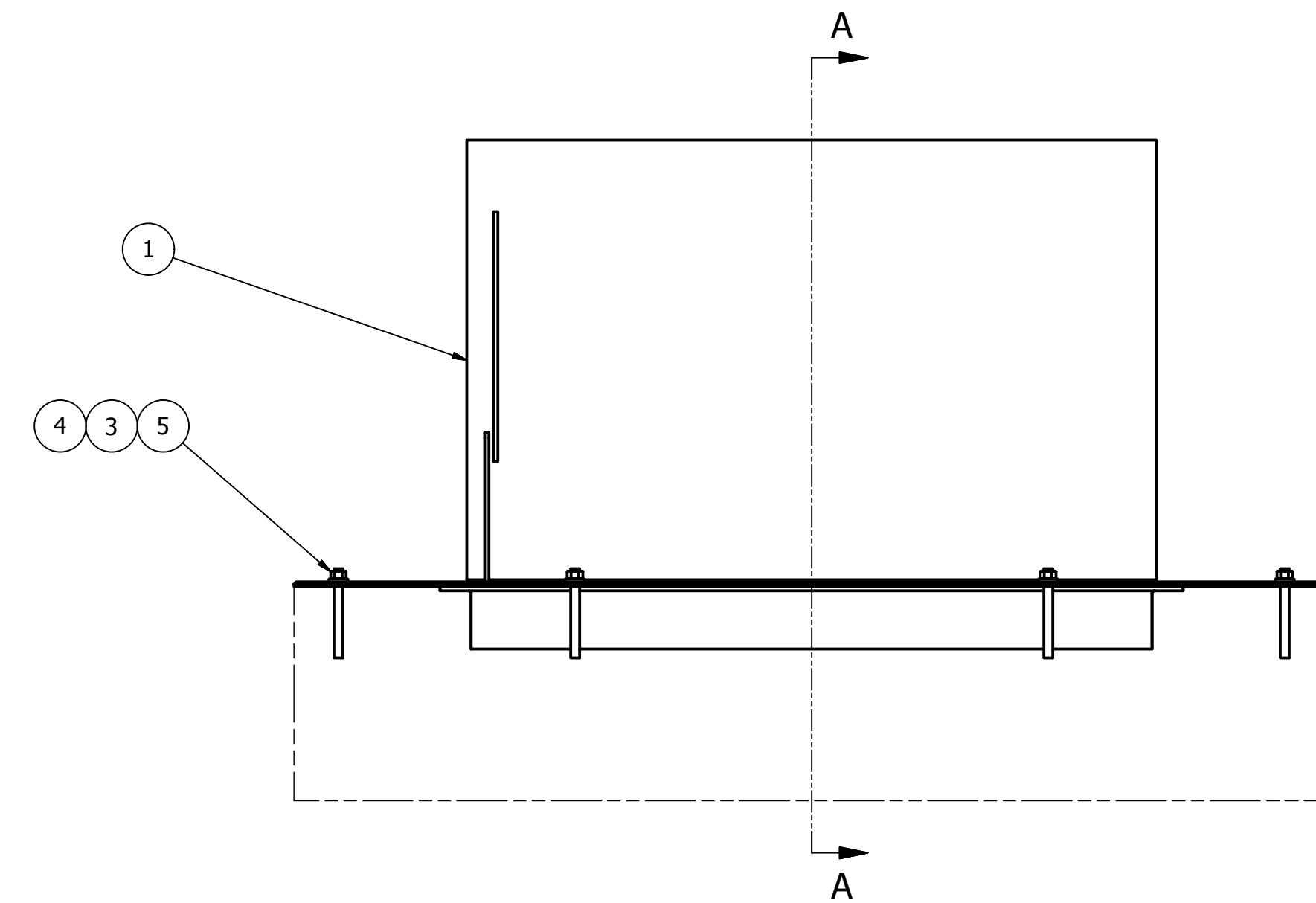
HATCH OPENING
34" x 22" CLEAR
EXISTING PUMP OVERALL DIMENSIONS
33.25" x 18.5" MINIMUM



TOP VIEW
SCALE 1 / 8



PROFILE VIEW
SECTION A-A
SCALE 1 / 8



FRONT VIEW
SCALE 1 / 8

ALL MATERIALS SHOWN ON THIS SHEET WILL BE SUPPLIED BY ROMTEC UTILITIES AND DELIVERED TO THE SITE AFTER THE HOLE HAS BEEN EXCAVATED AND SHORED. THE CONTRACTOR SHALL SUPPLY A CRANE OF SUFFICIENT SIZE TO LOWER ALL THE CONCRETE PIECES INTO THE HOLE SAFELY. THE CONTRACTOR SHALL INSTALL THE WET WELL (AND VALVE VAULT AND METERING VAULT IF APPLICABLE). ROMTEC UTILITIES WILL PROVIDE A REPRESENTATIVE FOR TECHNICAL ASSISTANCE ON THE DAY OF INSTALLATION TO ANSWER ANY QUESTIONS THAT MAY ARISE. THE CONTRACTOR IS RESPONSIBLE FOR ALL PLUMBING AND ELECTRICAL CONNECTIONS AND INSTALLATION. ITEMS NOTED AS "BY OTHERS" WILL BE PROVIDED AND INSTALLED BY THE CONTRACTOR. ROMTEC UTILITIES WILL NOT INSTALL ANY OF THE COMPONENTS SHOWN ON THIS PAGE.

© 2016 ROMTEC INC. ALL RIGHTS RESERVED. THESE PLANS AND DRAWINGS MAY NOT BE REPRODUCED, ADAPTED, OR FURTHER DISTRIBUTED, AND NO COMPONENTS MAY BE CONSTRUCTED FROM THESE PLANS, WITHOUT WRITTEN PERMISSION OF ROMTEC, INC.

NOTE: ALL DIMENSIONS AND ELEVATIONS SHOWN ARE NOMINAL DIMENSIONS. IT IS THE RESPONSIBILITY OF THE ON-SITE CONTRACTOR OR ROMTEC UTILITIES CUSTOMER (NOT ROMTEC UTILITIES) TO VERIFY THE ACCURACY OF ANY CRITICAL DIMENSIONS OR ELEVATIONS PRIOR TO SETTING OR INSTALLING ANY EQUIPMENT.

VERIFY SCALE
BAR IS ONE INCH ON ORIGINAL DRAWING
1"
0 IF NOT ONE INCH ON THIS SHEET, ADJUST SIZES PROPORTIONALLY
DSN - KEVIN BOGAN
DRN - KEVIN BOGAN
CKD -
DATE - 4-29-16

COMPONENT
DRAWING

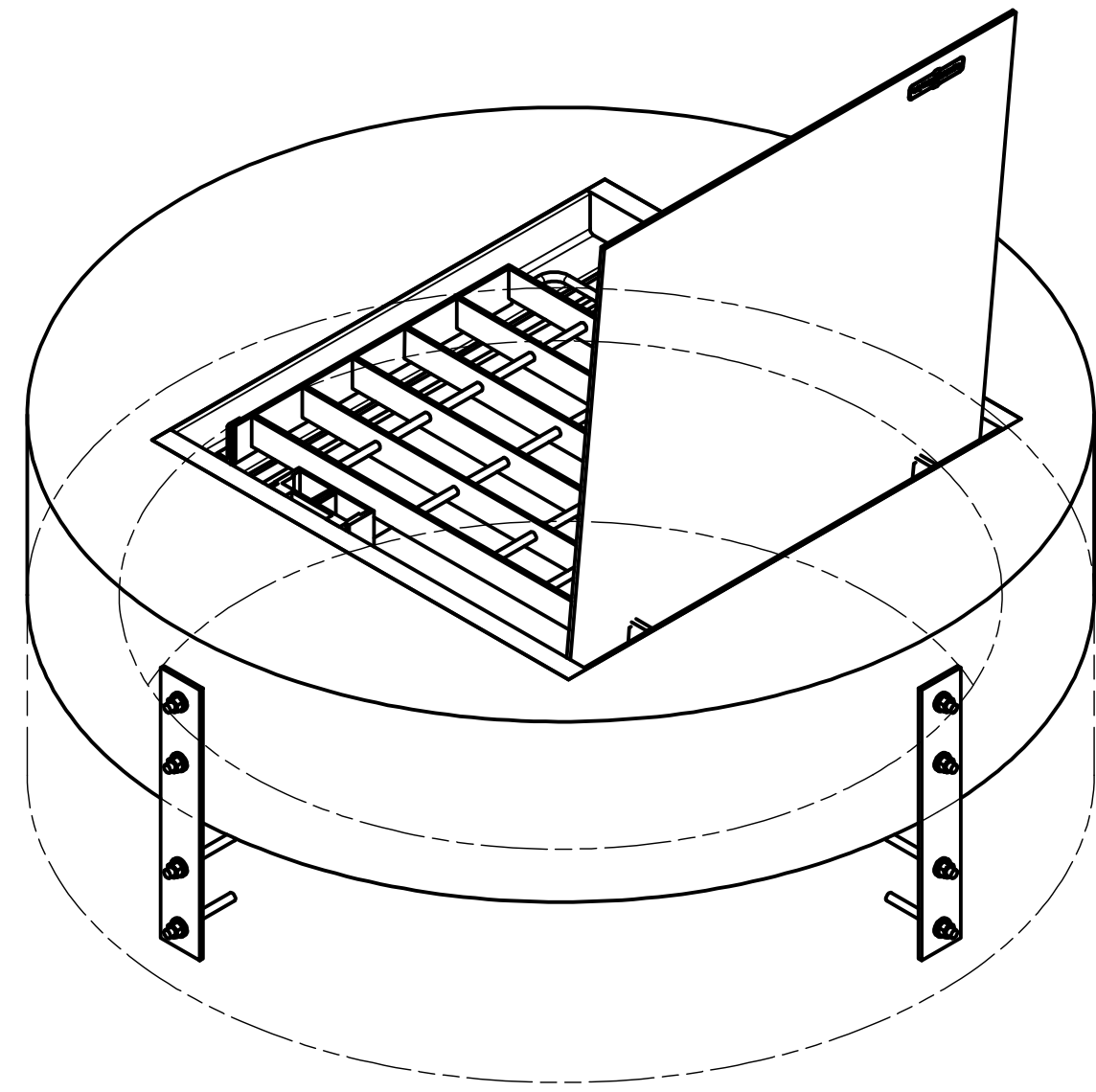
ROMTEC UTILITIES
18240 NORTH BANK ROAD
ROSEBURG, OREGON 97470
(541) 496-9678
FAX (541) 496-0804

HANFORD 2607-W6
TOP SLAB RETROFIT

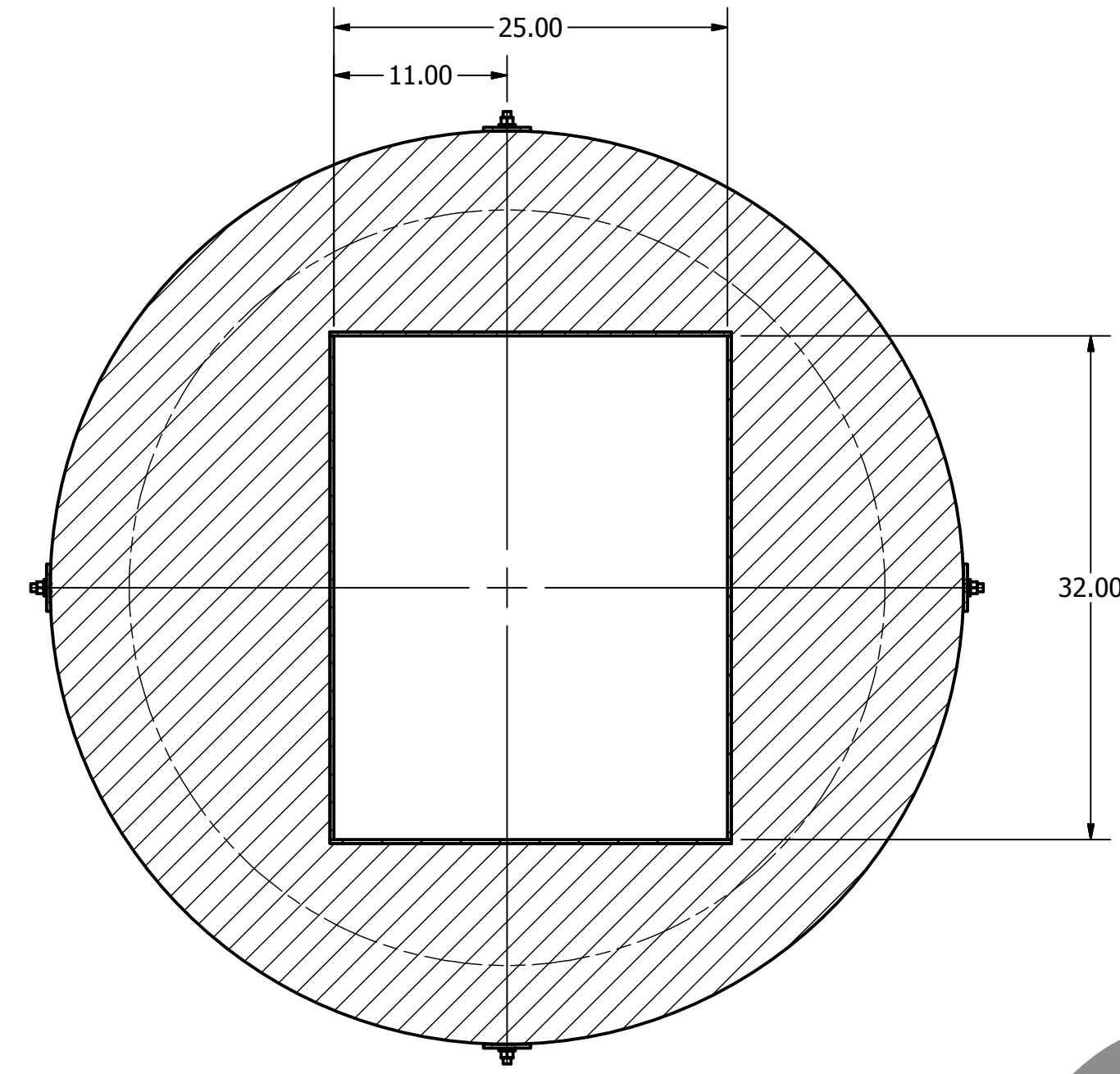
SHEET
1 OF 1

JOB NUMBER
RMTC
0000

REV	DESCRIPTION	DATE	APPROV
1			

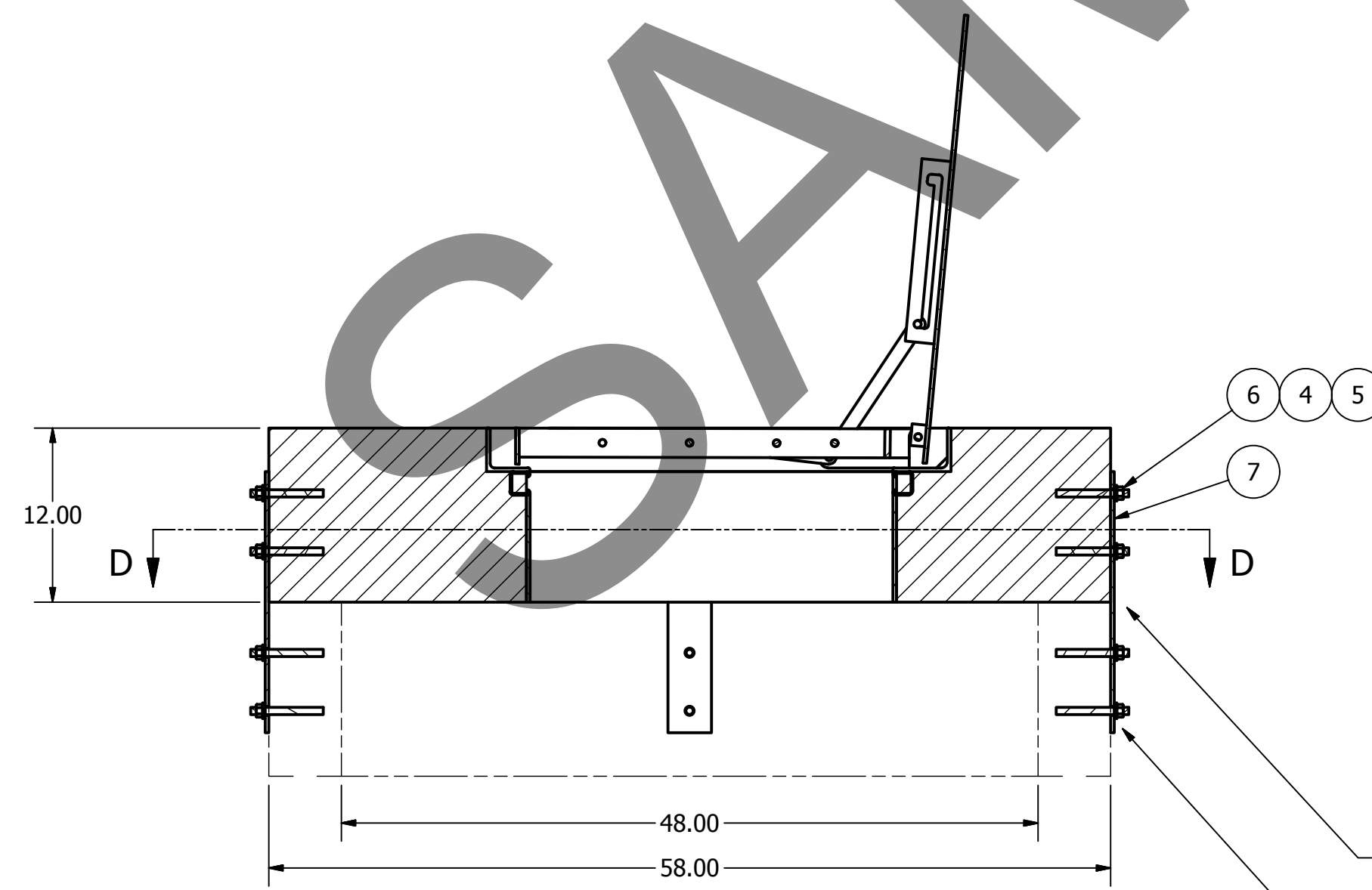


ISO VIEW
SCALE 1/10

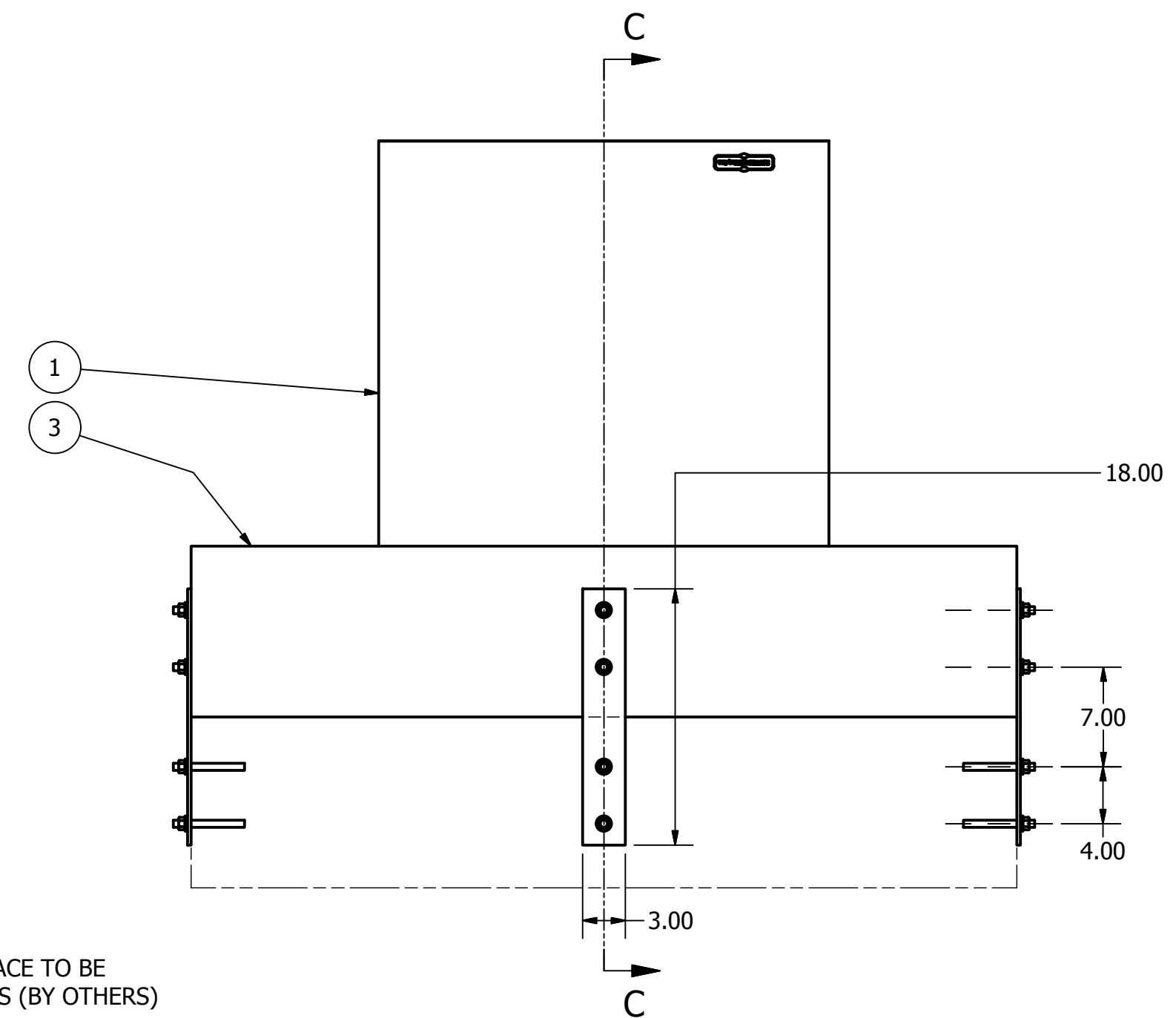


TOP VIEW
SECTION D-D
SCALE 1/10

NOTE: WET WELL TOP SLAB IS PEDESTRIAN RATED



PROFILE VIEW
SECTION C-C
SCALE 1/10



SIDE VIEW
SCALE 1/10

WET WELL MATING SURFACE TO BE
FLAT AND FREE OF DEBRIS (BY OTHERS)

TOP SLAB BRACKETS AND HARDWARE PROVIDED

ALL MATERIALS SHOWN ON THIS SHEET WILL BE SUPPLIED BY ROMTEC UTILITIES AND DELIVERED TO THE SITE AFTER THE HOLE HAS BEEN EXCAVATED AND SHORED. THE CONTRACTOR SHALL SUPPLY A CRANE OF SUFFICIENT SIZE TO LOWER ALL THE CONCRETE PIECES INTO THE HOLE SAFELY. THE CONTRACTOR SHALL INSTALL THE WET WELL (AND VALVE VAULT AND METERING VAULT IF APPLICABLE). ROMTEC UTILITIES WILL PROVIDE A REPRESENTATIVE FOR TECHNICAL ASSISTANCE ON THE DAY OF INSTALLATION TO ANSWER ANY QUESTIONS THAT MAY ARISE. THE CONTRACTOR IS RESPONSIBLE FOR ALL PLUMBING AND ELECTRICAL CONNECTIONS AND INSTALLATION. ITEMS NOTED AS "BY OTHERS" WILL BE PROVIDED AND INSTALLED BY THE CONTRACTOR. ROMTEC UTILITIES WILL NOT INSTALL ANY OF THE COMPONENTS SHOWN ON THIS PAGE.

© 2016 ROMTEC INC. ALL RIGHTS RESERVED. THESE PLANS AND DRAWINGS MAY NOT BE REPRODUCED, ADAPTED, OR FURTHER DISTRIBUTED, AND NO COMPONENTS MAY BE CONSTRUCTED FROM THESE PLANS, WITHOUT WRITTEN PERMISSION OF ROMTEC, INC.

NOTE: ALL DIMENSIONS AND ELEVATIONS SHOWN ARE NOMINAL DIMENSIONS. IT IS THE RESPONSIBILITY OF THE ON-SITE CONTRACTOR OR ROMTEC UTILITIES CUSTOMER (NOT ROMTEC UTILITIES) TO VERIFY THE ACCURACY OF ANY CRITICAL DIMENSIONS OR ELEVATIONS PRIOR TO SETTING OR INSTALLING ANY EQUIPMENT.

VERIFY SCALE
BAR IS ONE INCH ON
ORIGINAL DRAWING
1"
0 IF NOT ONE INCH ON
THIS SHEET, ADJUST
SCALE APPROPRIATELY
DSN - KEVIN BOGAN
DRN - KEVIN BOGAN
CKD -
DATE - 5-2-16

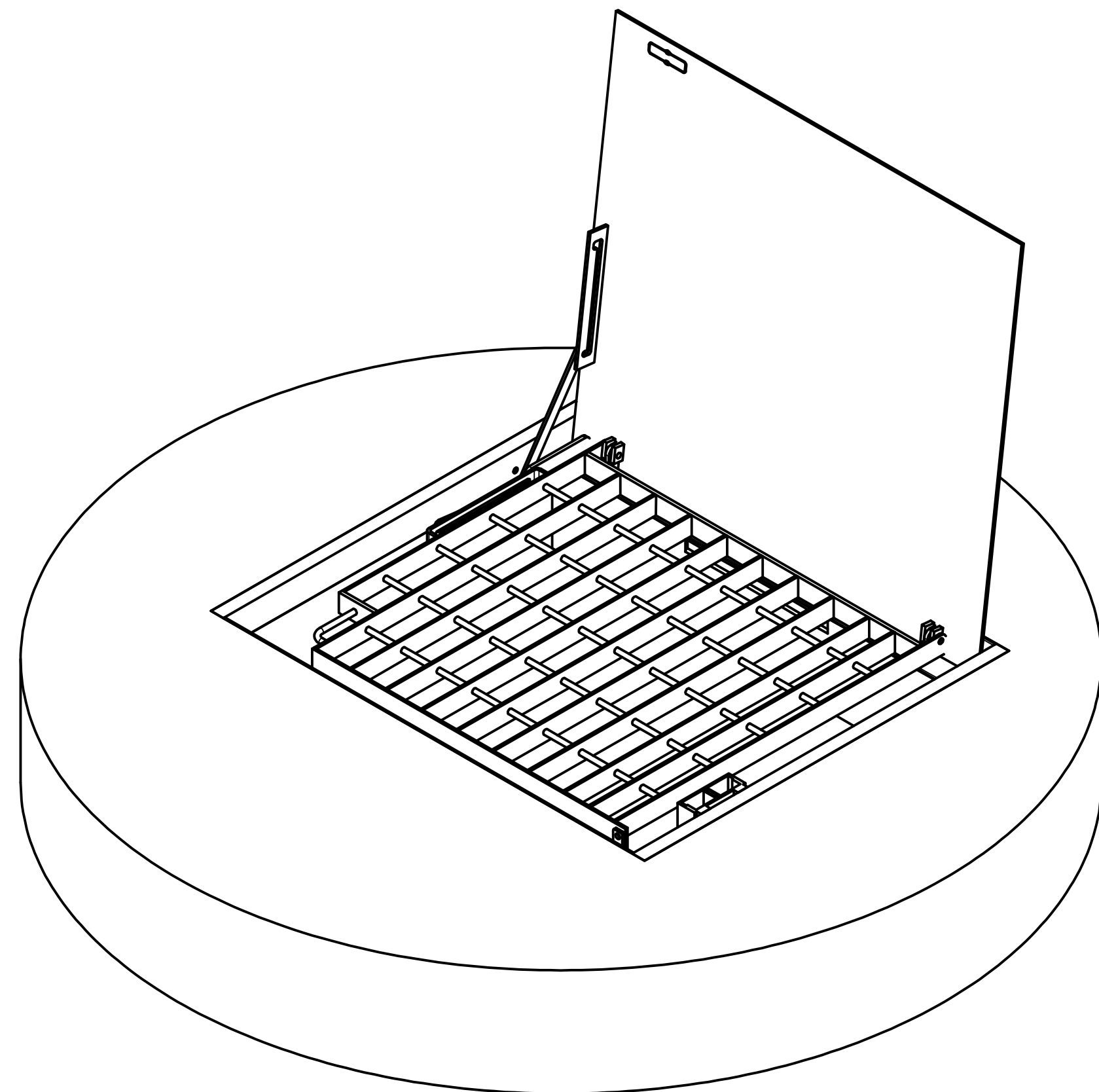
COMPONENT
DRAWING

ROMTEC UTILITIES
18240 NORTH BANK ROAD
ROSEBURG, OREGON 97470
(541) 496-9678
FAX (541) 496-0804

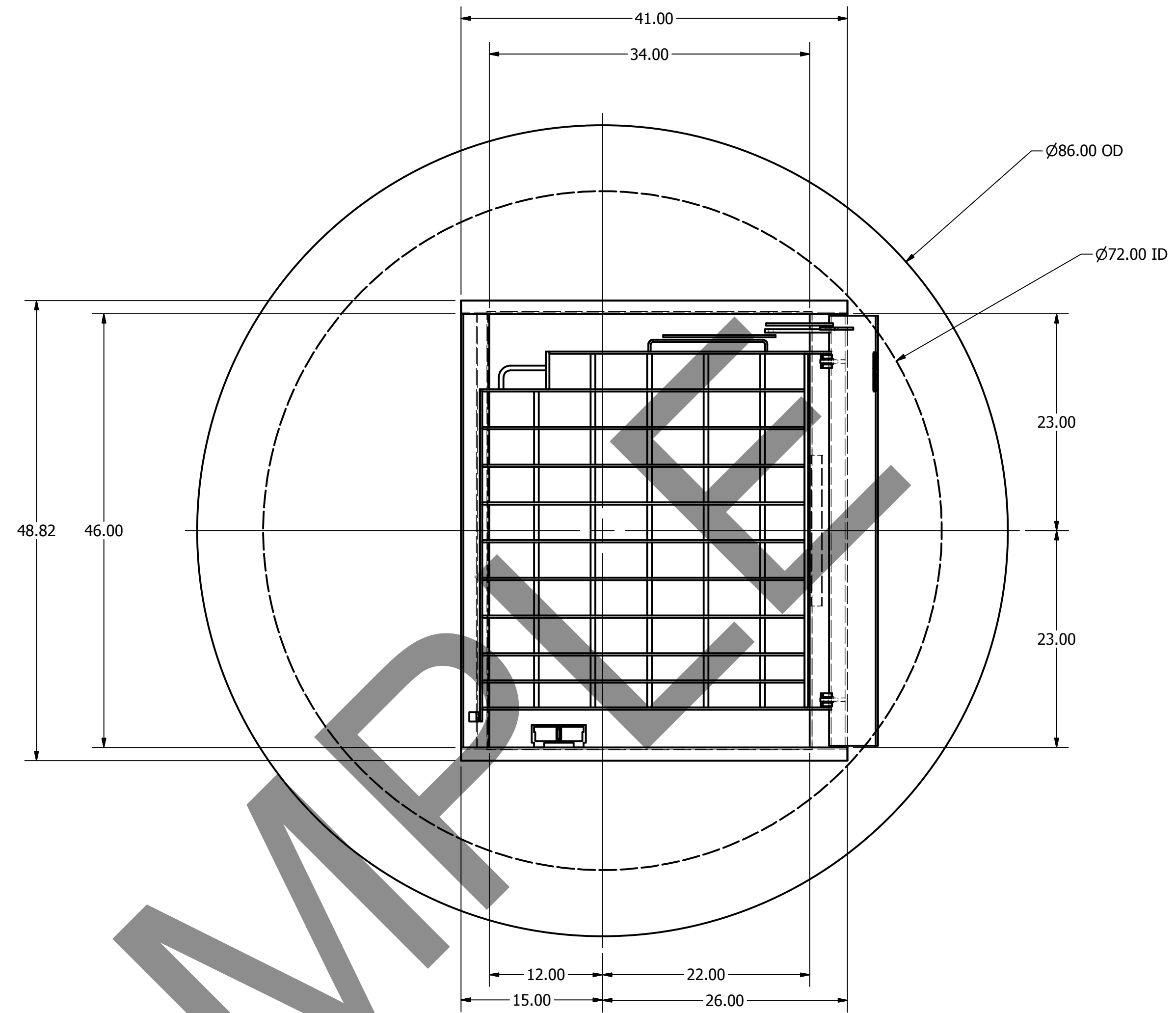
HANFORD 2607-EQ
TOP SLAB RETROFIT

SHEET
2 OF 2

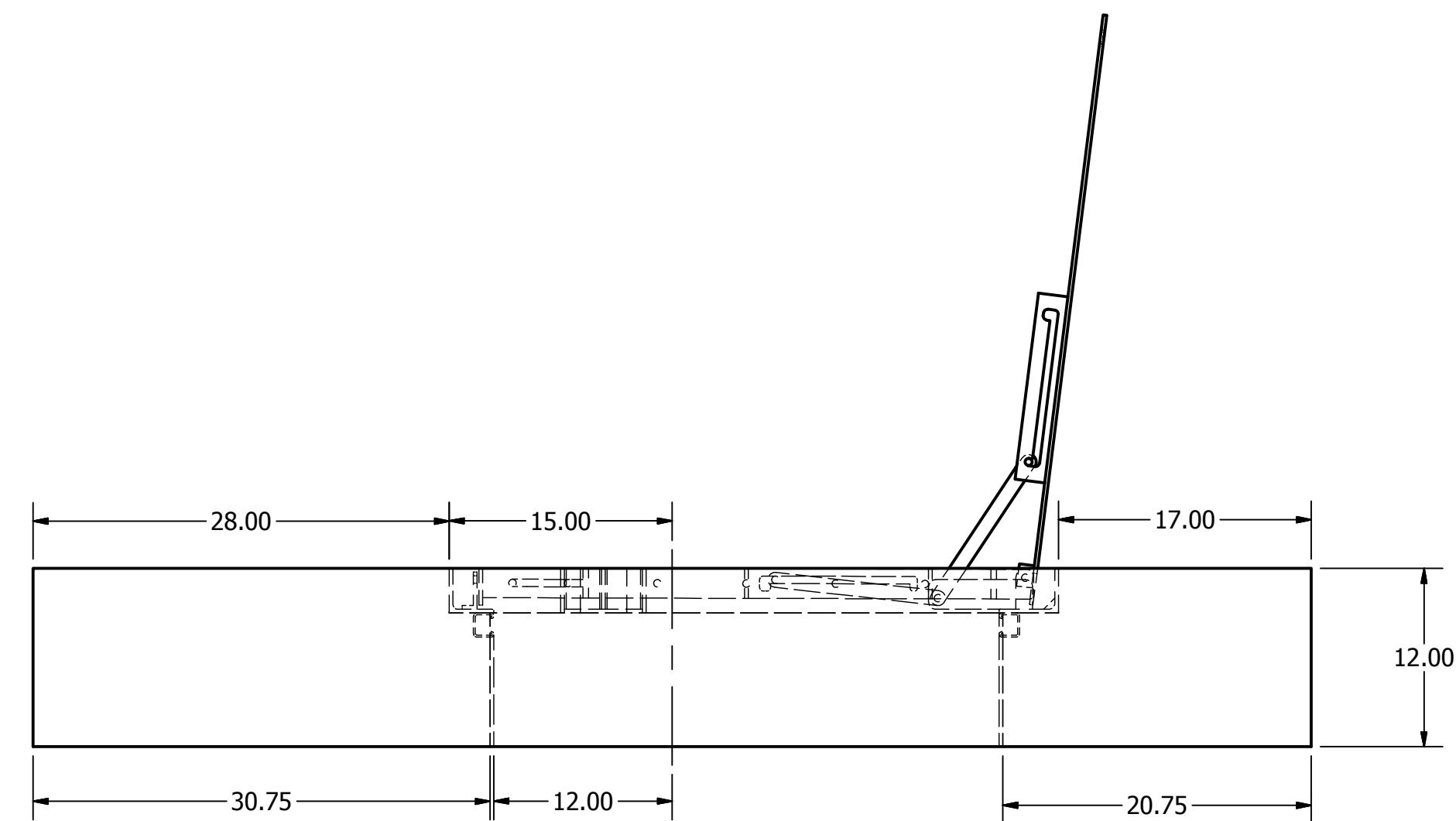
JOB NUMBER
RMTC
0000



ISO VIEW
SCALE 1 / 10



TOP VIEW
SCALE 1 / 10



FRONT VIEW
SCALE 1 / 10

© 2016 ROMTEC INC. ALL RIGHTS RESERVED. THESE PLANS AND DRAWINGS MAY NOT BE REPRODUCED, ADAPTED, OR FURTHER DISTRIBUTED, AND NO COMPONENTS MAY BE CONSTRUCTED FROM THESE PLANS, WITHOUT WRITTEN PERMISSION OF ROMTEC, INC.

NOTE: ALL DIMENSIONS AND ELEVATIONS SHOWN ARE NOMINAL DIMENSIONS. IT IS THE RESPONSIBILITY OF THE ON-SITE CONTRACTOR OR ROMTEC UTILITIES CUSTOMER (NOT ROMTEC UTILITIES) TO VERIFY THE ACCURACY OF ANY CRITICAL DIMENSIONS OR ELEVATIONS PRIOR TO SETTING OR INSTALLING ANY EQUIPMENT.

VERIFY SCALE
BAR IS ONE INCH ON
ORIGINAL DRAWING
1"
IF NOT ONE INCH ON
THIS SHEET, ADJUST
SIZES PROPORTIONALLY
0
DSN - KEVIN BOGAN
DRN - KEVIN BOGAN
CKD -
DATE - 5-16-16
REV
0

COMPONENT
DRAWING

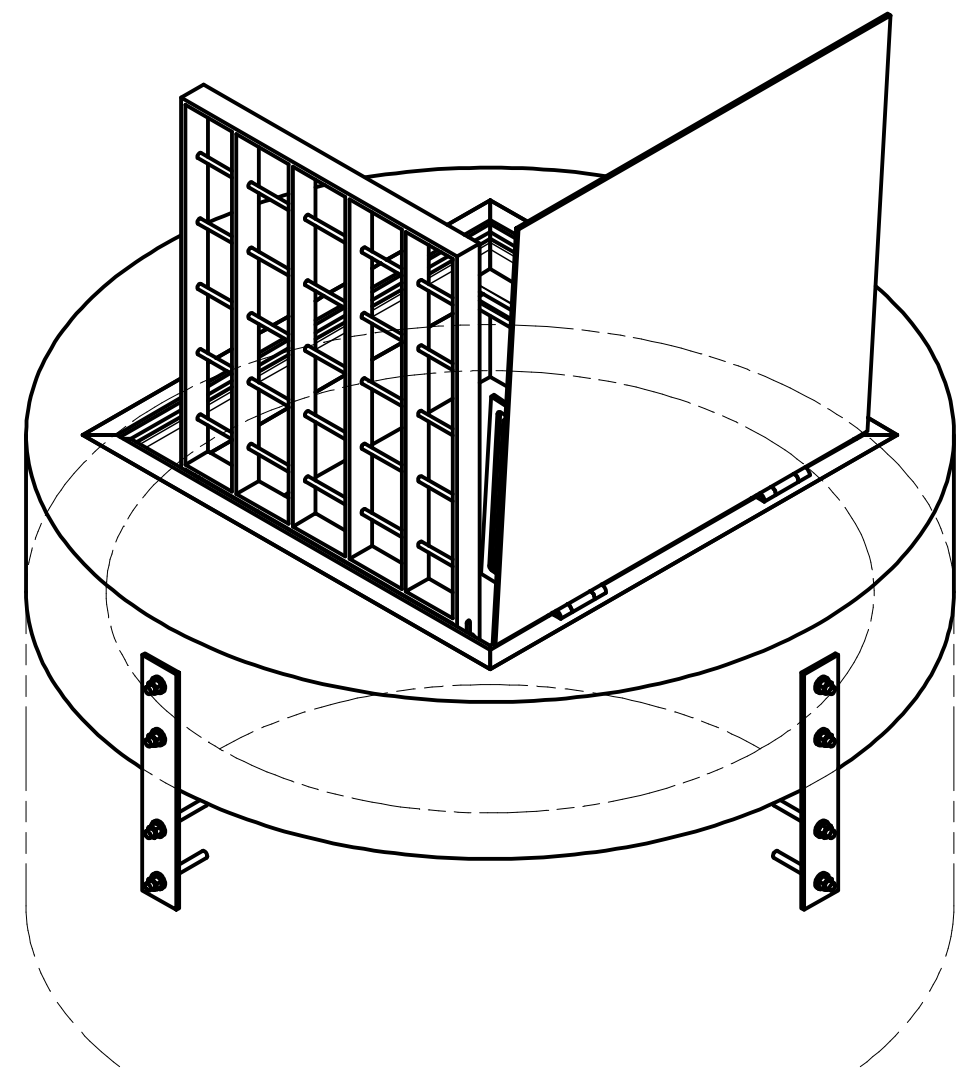
ROMTEC UTILITIES
18240 NORTH BANK ROAD
ROSEBURG, OREGON 97470
(541) 496-9678
FAX (541) 496-0804

HANFORD 2607-EQ
VALVE VAULT TOP SLAB

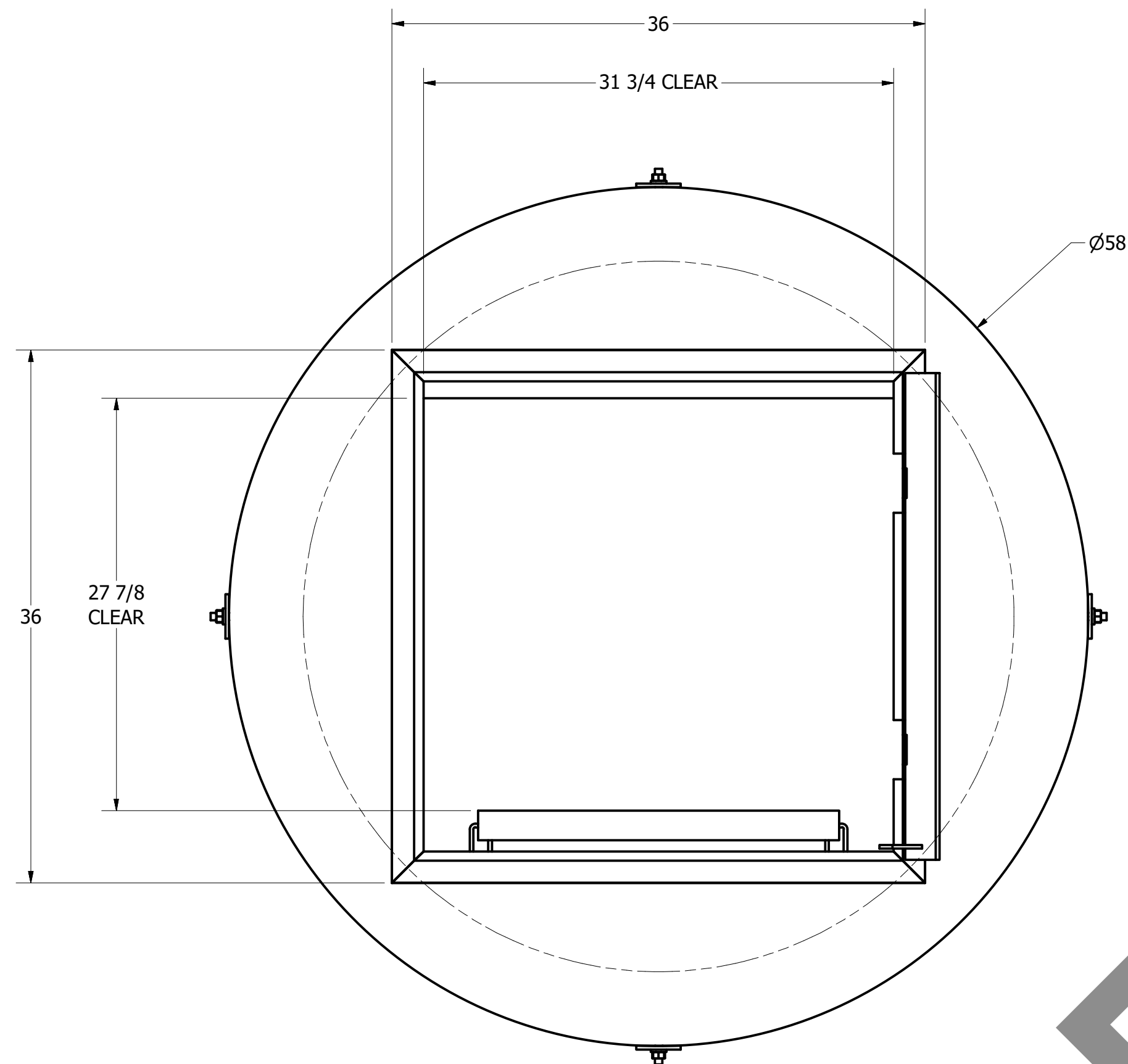
SHEET
1 OF 1

JOB NUMBER
RMTC
0000

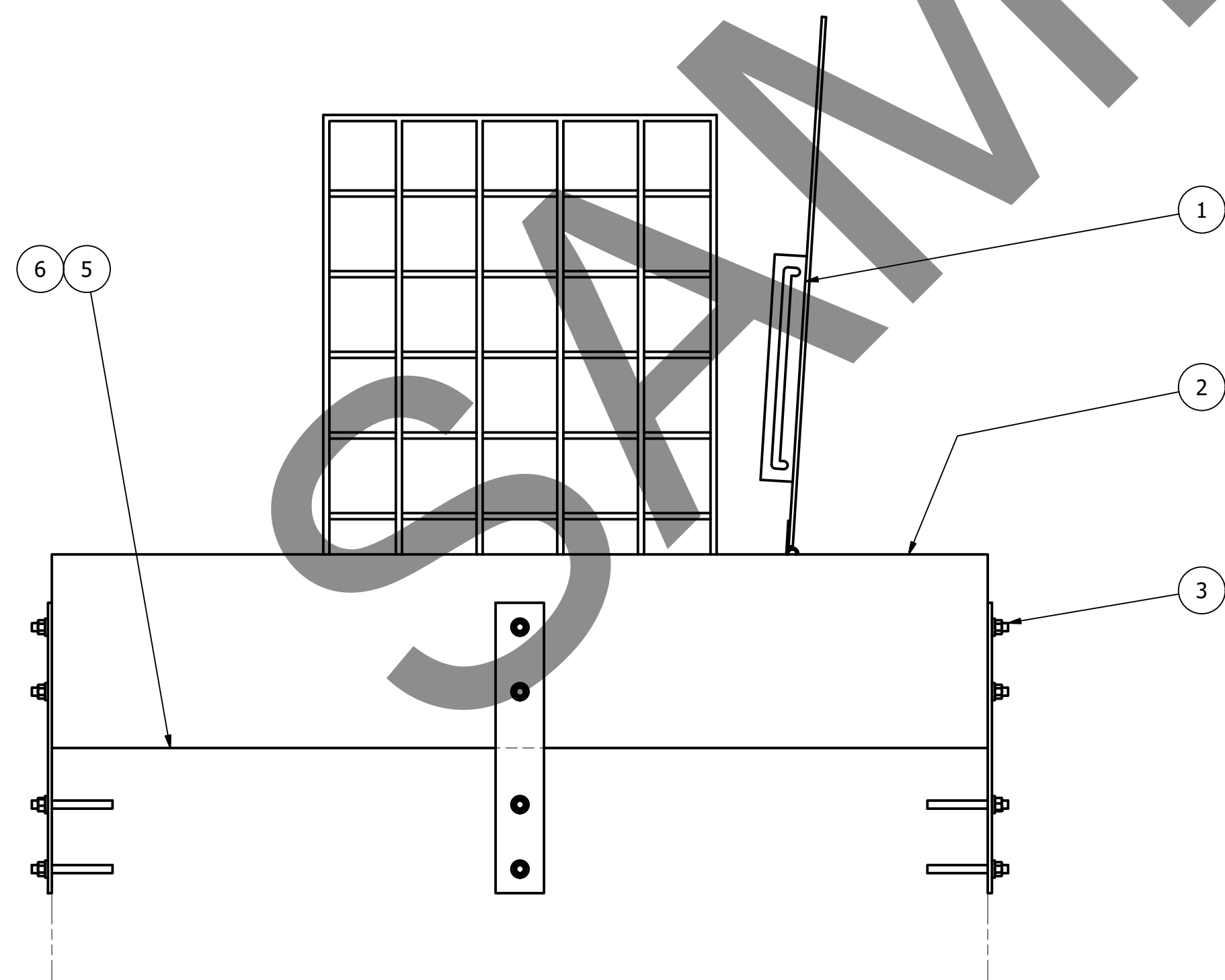
REV	DESCRIPTION	DATE	APPROV
0			



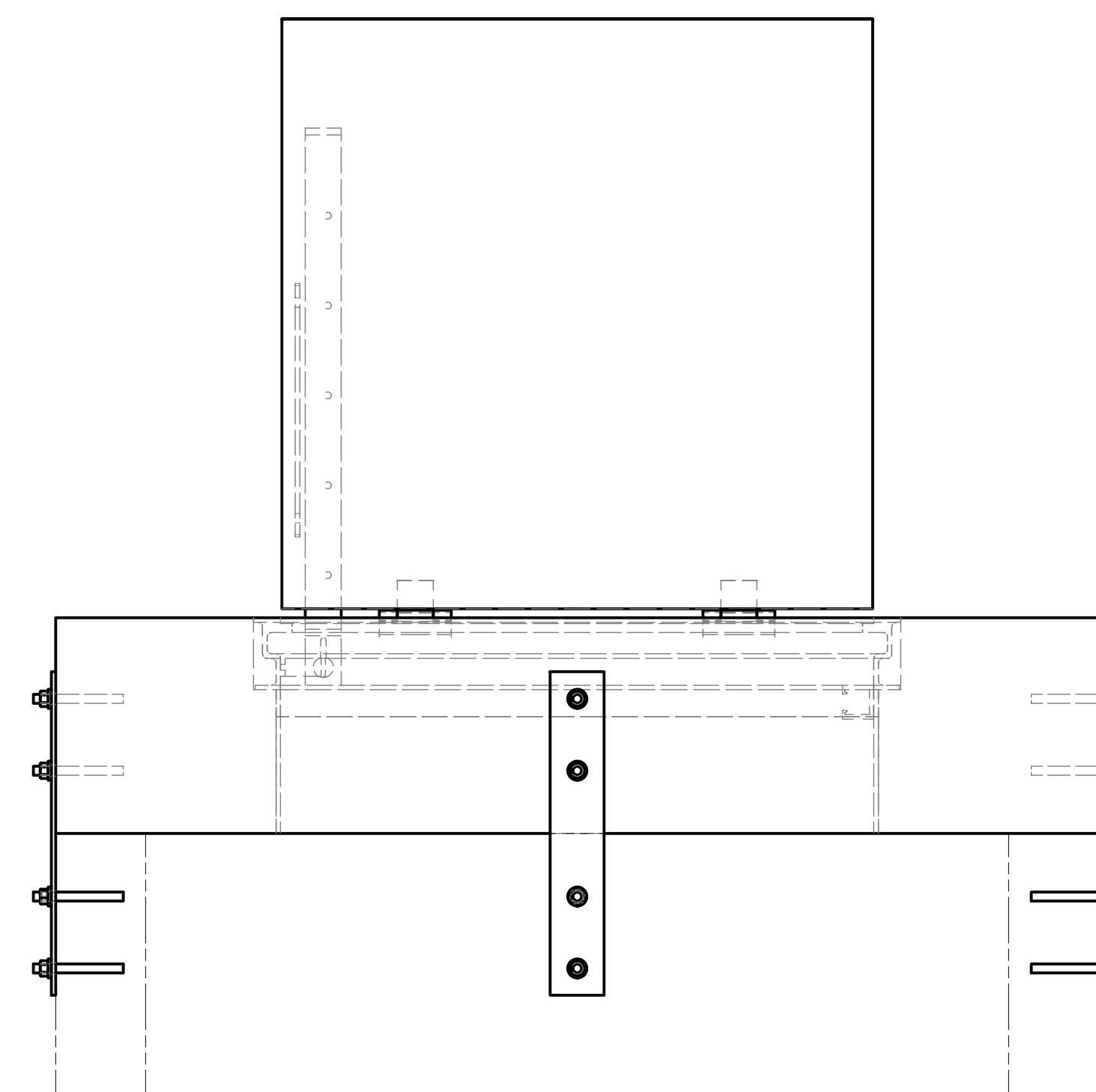
ISO VIEW
SCALE 1 / 12



TOP VIEW
SCALE 1 / 8



PROFILE VIEW
SCALE 1 / 8



FRONT VIEW
SCALE 1 / 8

NOTE: CONTRACTOR TO SEAL ALL CONCRETE JOINTS AND PIPE PENETRATIONS WITH NON-SHRINK GROUT

NOTE: ALL DIMENSIONS AND ELEVATIONS SHOWN ARE NOMINAL DIMENSIONS. IT IS THE RESPONSIBILITY OF THE ON-SITE CONTRACTOR OR ROMTEC UTILITIES CUSTOMER (NOT ROMTEC UTILITIES) TO VERIFY THE ACCURACY OF ANY CRITICAL DIMENSIONS OR ELEVATIONS PRIOR TO SETTING OR INSTALLING ANY EQUIPMENT.

© 2018 ROMTEC INC. ALL RIGHTS RESERVED. THESE PLANS AND DRAWINGS MAY NOT BE REPRODUCED, ADAPTED, OR FURTHER DISTRIBUTED, AND NO COMPONENTS MAY BE CONSTRUCTED FROM THESE PLANS, WITHOUT WRITTEN PERMISSION OF ROMTEC, INC.

HANFORD 6607-2

TOP SLAB ASSEMBLY
COMPONENT DRAWING

ROMTEC UTILITIES
18240 NORTH BANK ROAD
ROSEBURG, OREGON 97470
PHONE: (541) 496-9678
WWW.ROMTECUTILITIES.COM

VERIFY SCALE
DRAWING TO FIELD
CONTRACTOR TO VERIFY
FIELD CONDITIONS

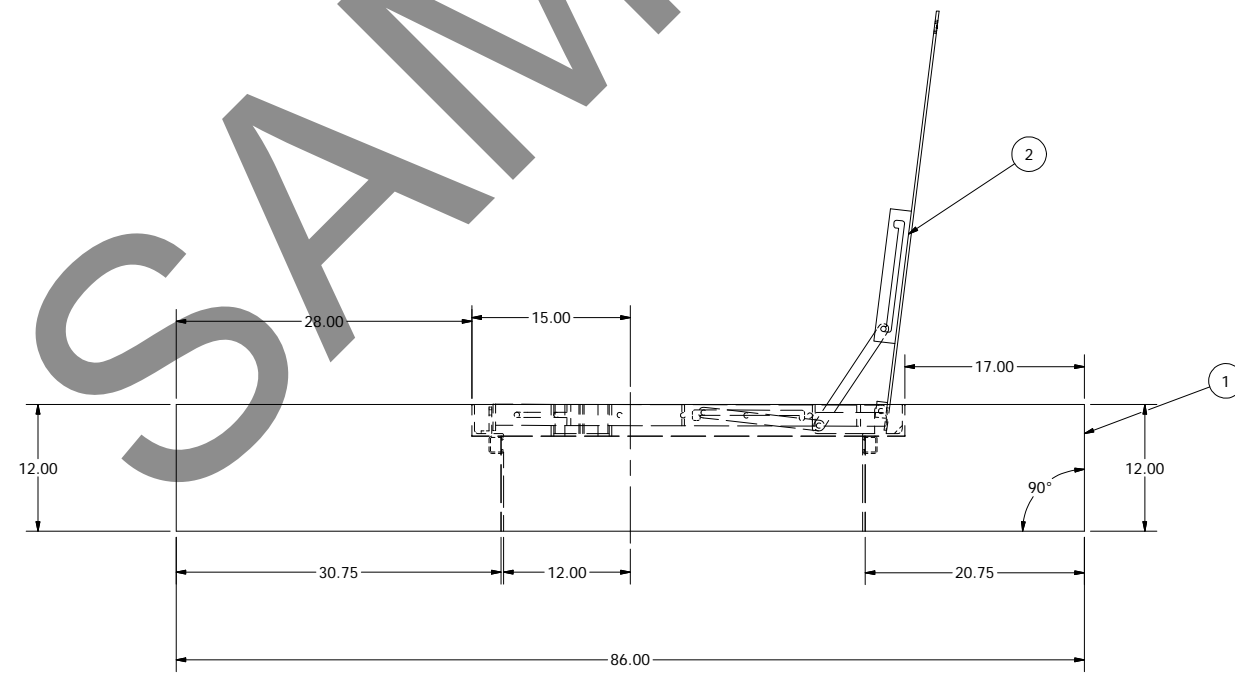
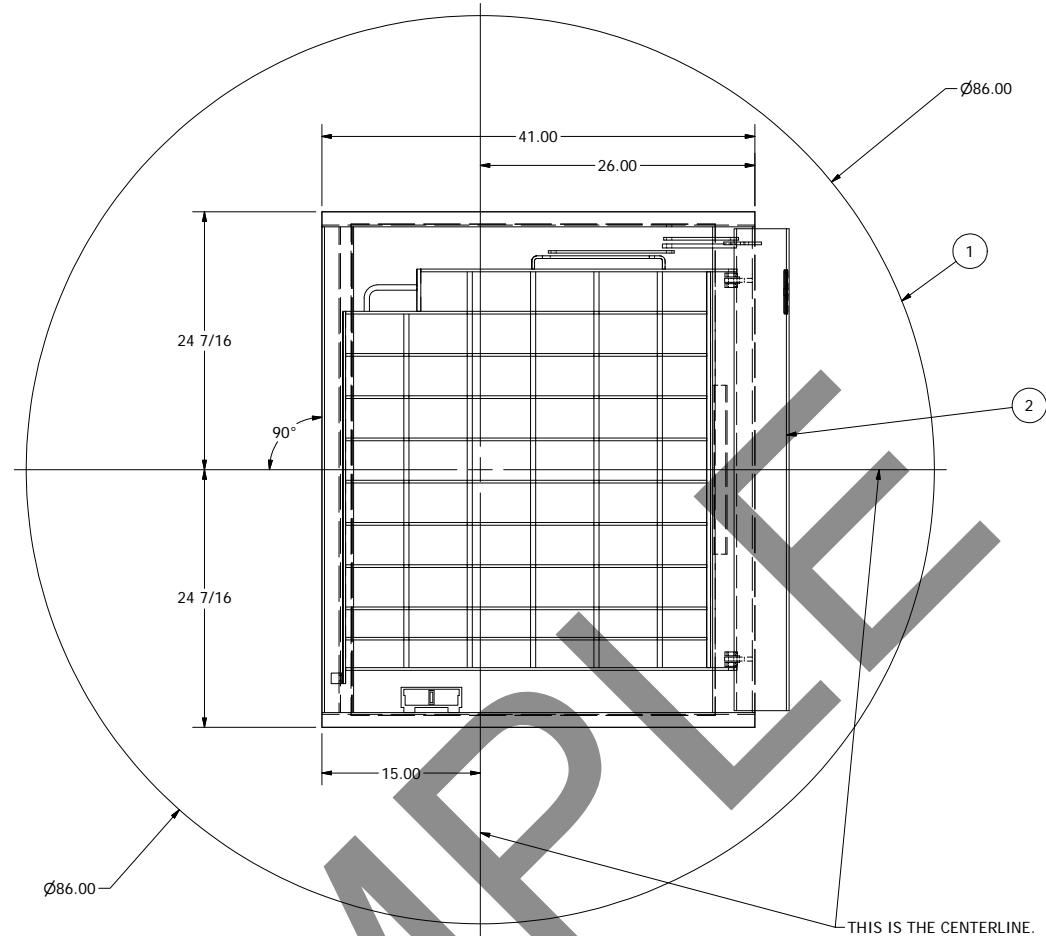
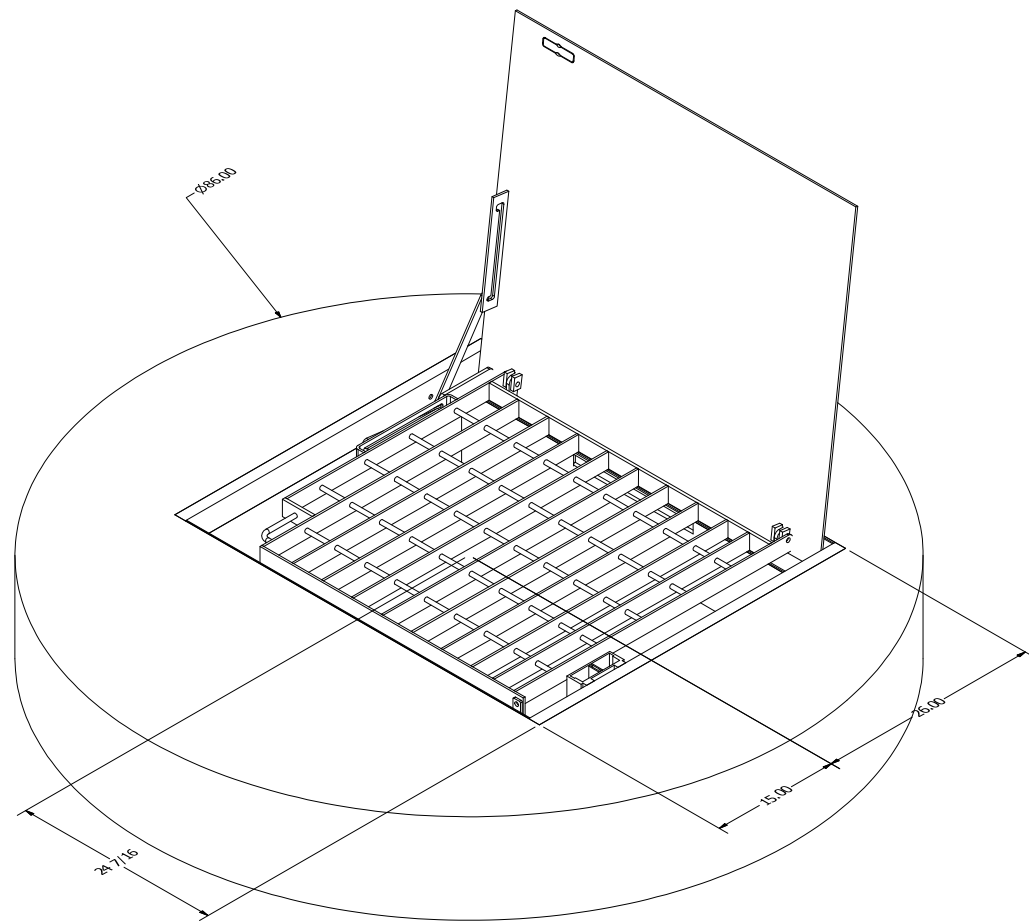
0 1"

DSN: KEVIN BOGAN
DRN: KEVIN BOGAN
CKD:

DATE: 11-1-18

REV	DATE	DESCRIPTION	BY
0			

MECHANICAL SHEET
1 OF 1



© 2016 ROMTEC INC. ALL RIGHTS RESERVED. THESE PLANS AND DRAWINGS MAY NOT BE REPRODUCED, ADAPTED, OR FURTHER DISTRIBUTED, AND NO COMPONENTS MAY BE CONSTRUCTED FROM THESE PLANS, WITHOUT WRITTEN PERMISSION OF ROMTEC, INC.

NOTE: ALL DIMENSIONS AND ELEVATIONS SHOWN ARE NOMINAL DIMENSIONS. IT IS THE RESPONSIBILITY OF THE ON-SITE CONTRACTOR OR ROMTEC UTILITIES CUSTOMER (NOT ROMTEC UTILITIES) TO VERIFY THE ACCURACY OF ANY CRITICAL DIMENSIONS OR ELEVATIONS PRIOR TO SETTING OR INSTALLING ANY EQUIPMENT.

VERIFY SCALE
BAR IS ONE INCH ON ORIGINAL DRAWING
1"
IF NOT ONE INCH ON THIS SHEET ADJUST SIZES PROPORTIONALLY
0
DSN - AD
DRN - AD
CKD - AD
DATE - 4-7-16

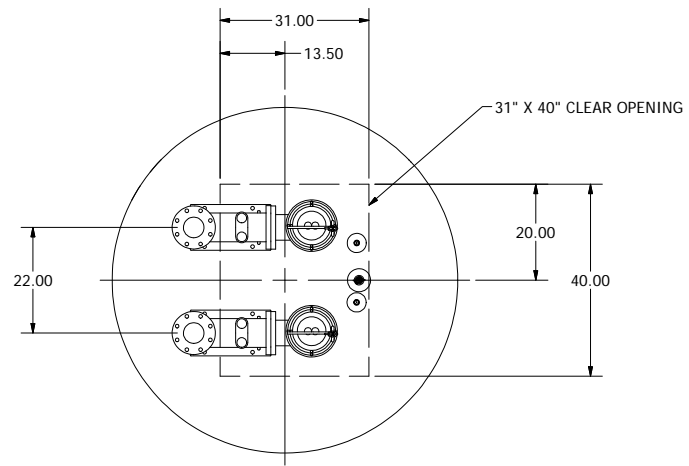
ROMTEC UTILITIES
18240 NORTH BANK ROAD
ROSEBURG, OREGON 97470
(541) 496-9678
FAX (541) 496-0804

2607Z TOP SLAB
TOP SLAB WITH HATCH

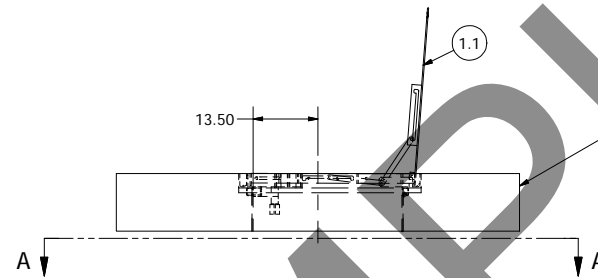
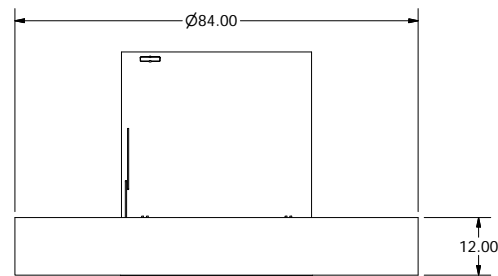
SHEET
1 OF

JOB NUMBER
RMTC

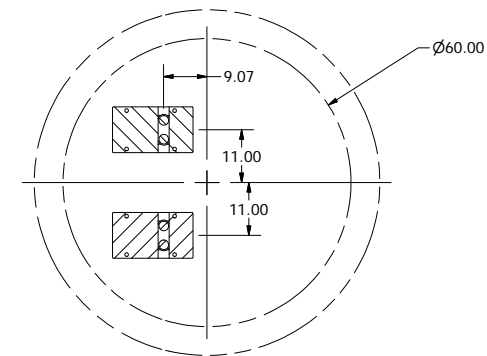
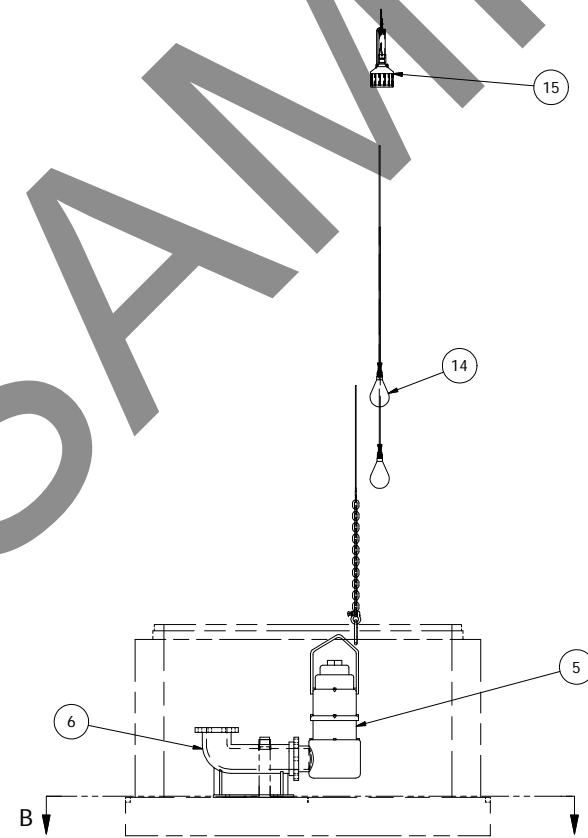
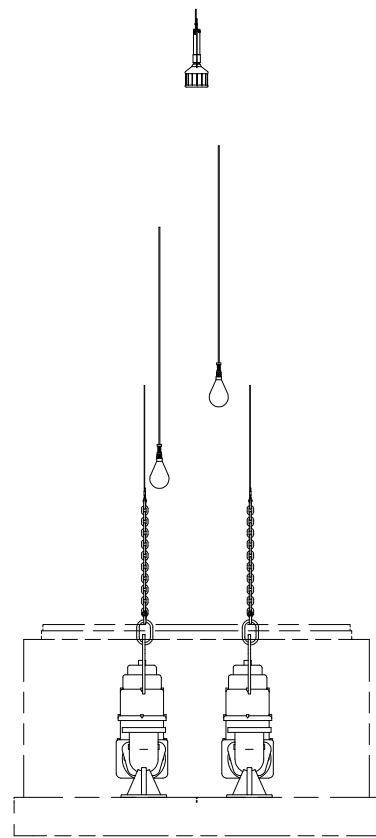
REV	DESCRIPTION	DATE	APPROV
1			



SECTION A-A
SCALE 1 / 20



SEE SHEET 2 OF 2 FOR
TOP SLAB DETAIL



SECTION B-B
SCALE 1 / 20

© 2015 ROMTEC INC. ALL RIGHTS RESERVED. THESE PLANS AND DRAWINGS MAY NOT BE REPRODUCED, ADAPTED, OR FURTHER DISTRIBUTED, AND NO COMPONENTS MAY BE CONSTRUCTED FROM THESE PLANS, WITHOUT WRITTEN PERMISSION OF ROMTEC, INC.

NOTE: ALL DIMENSIONS AND ELEVATIONS SHOWN ARE NOMINAL DIMENSIONS. IT IS THE RESPONSIBILITY OF THE ON-SITE CONTRACTOR OR ROMTEC UTILITIES CUSTOMER (NOT ROMTEC UTILITIES) TO VERIFY THE ACCURACY OF ANY CRITICAL DIMENSIONS OR ELEVATIONS PRIOR TO SETTING OR INSTALLING ANY EQUIPMENT.

VERIFY SCALE
BAR IS ONE INCH ON
ORIGINAL DRAWING
1"
IF NOT ONE INCH ON
THIS SHEET ADJUST
SCALE APPROPRIATELY
0
DSN - AD
DRN - AD
CKD - AD
DATE - 3-31-16

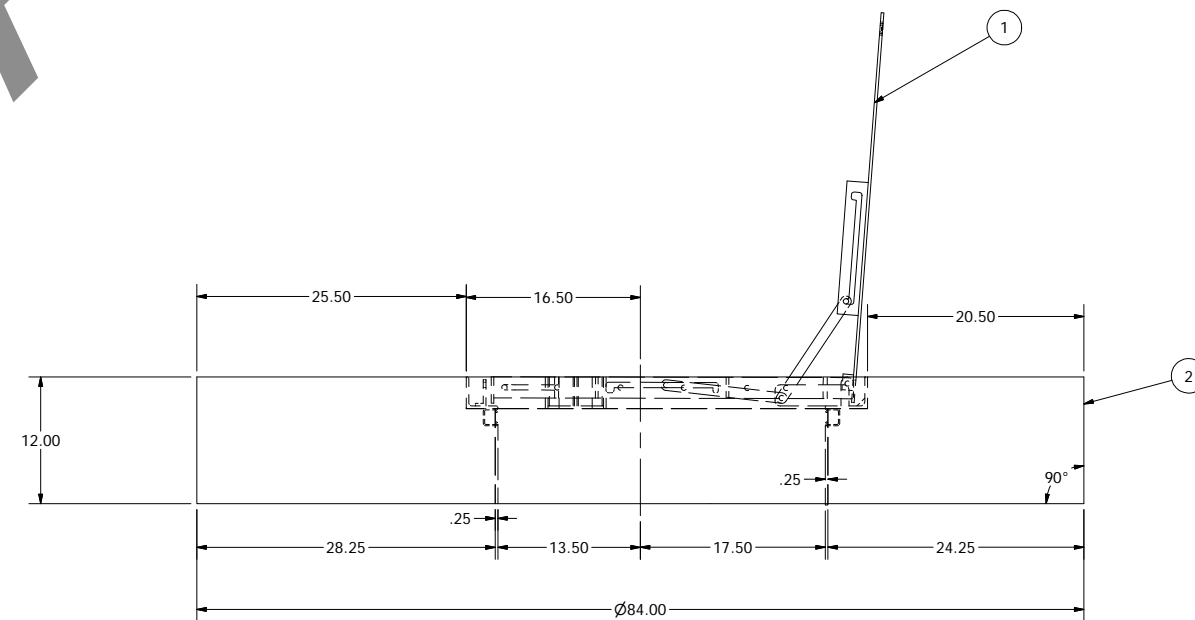
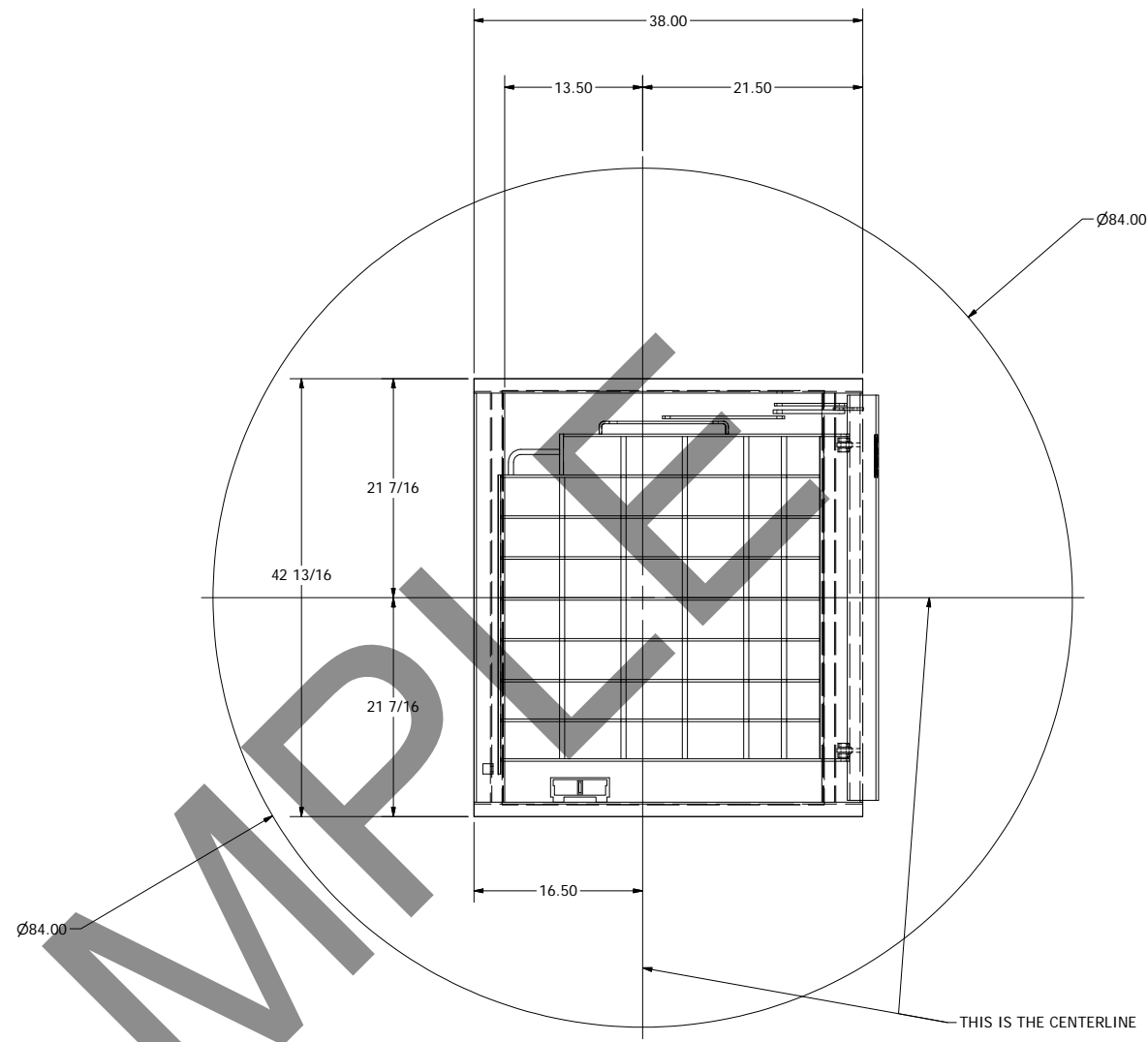
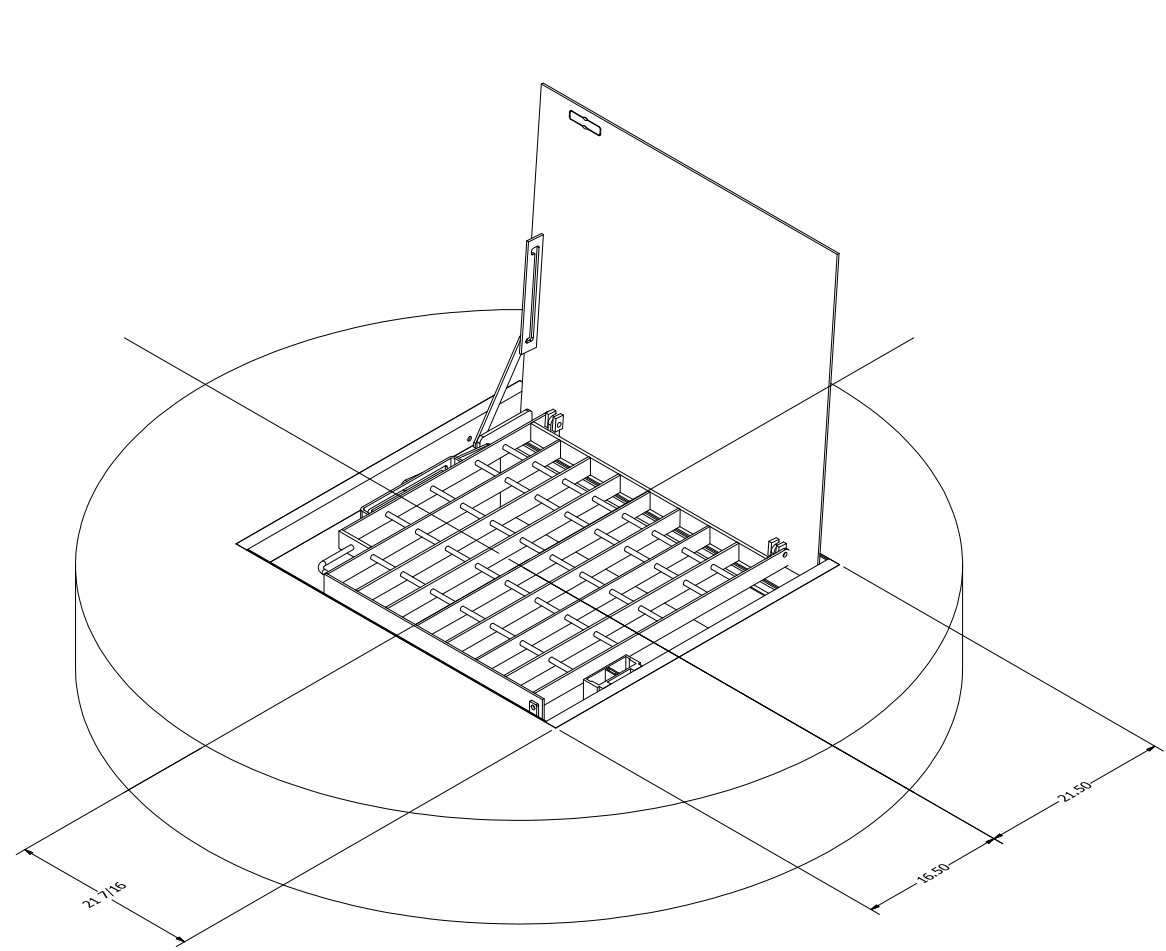
ROMTEC UTILITIES
18240 NORTH BANK ROAD
ROSEBURG, OREGON 97470
(541) 496-9678
FAX (541) 496-0804

HANFORD RETROFIT
LS 318

SHEET
1 OF 2
JOB NUMBER
RMTC
0000

REV	DESCRIPTION	DATE	APPROV
1	REVISED TOP SLAB TO 7ft OD	4-11-16	AD

SAMPLE



SAMPLE

VERIFY SCALE
BAR IS ONE INCH ON ORIGINAL DRAWING

1" = 0

IF NOT ONE INCH ON THIS SHEET, ADJUST SIZES PROPORTIONALLY

DSN - AD
DIRN - AD
CKD - AD
DATE - 3-31-16

ROMTEC UTILITIES
18240 NORTH BANK ROAD
ROSEBURG, OREGON 97470
(541) 496-9678
FAX (541) 496-0804

HANFORD RETROFIT
LS 318

SHEET
2 OF 2

JOB NUMBER
RMTC
0000