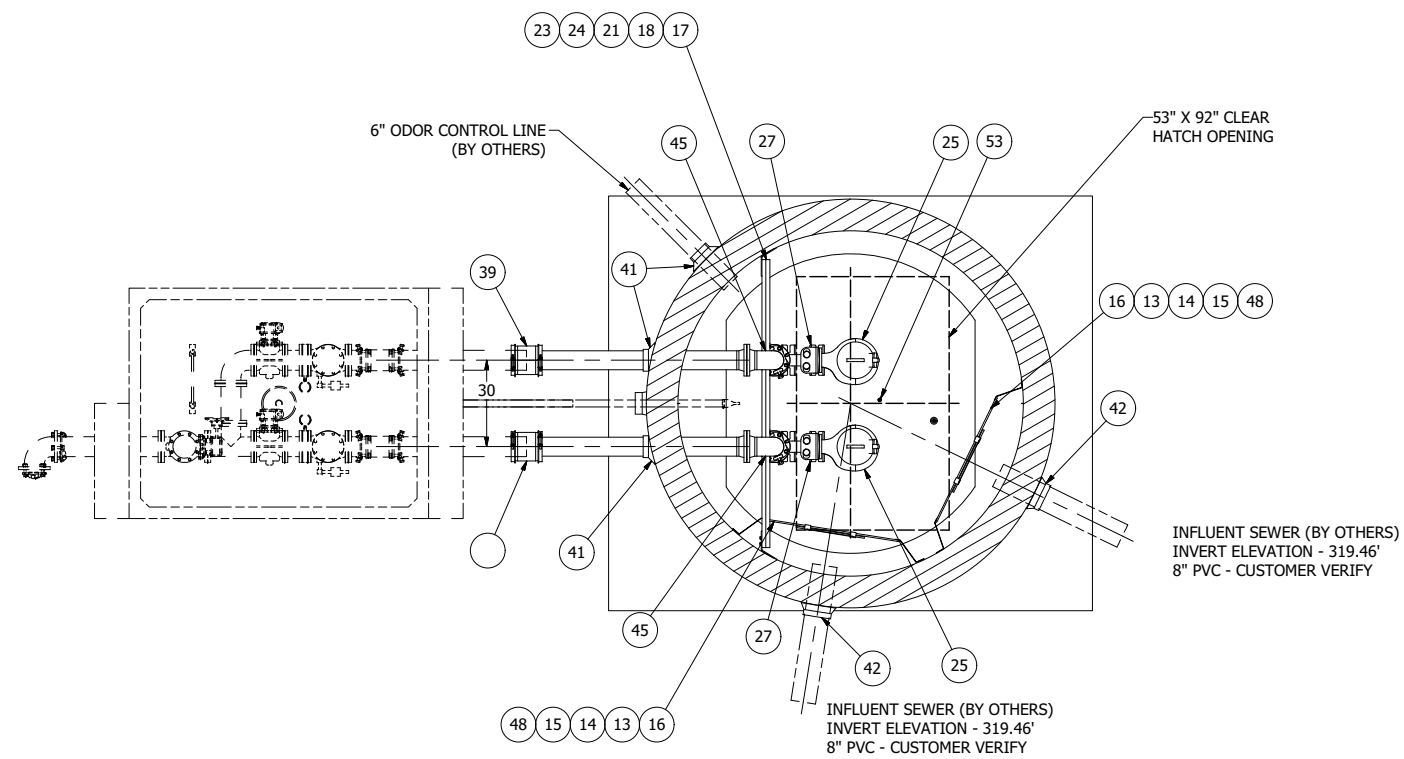
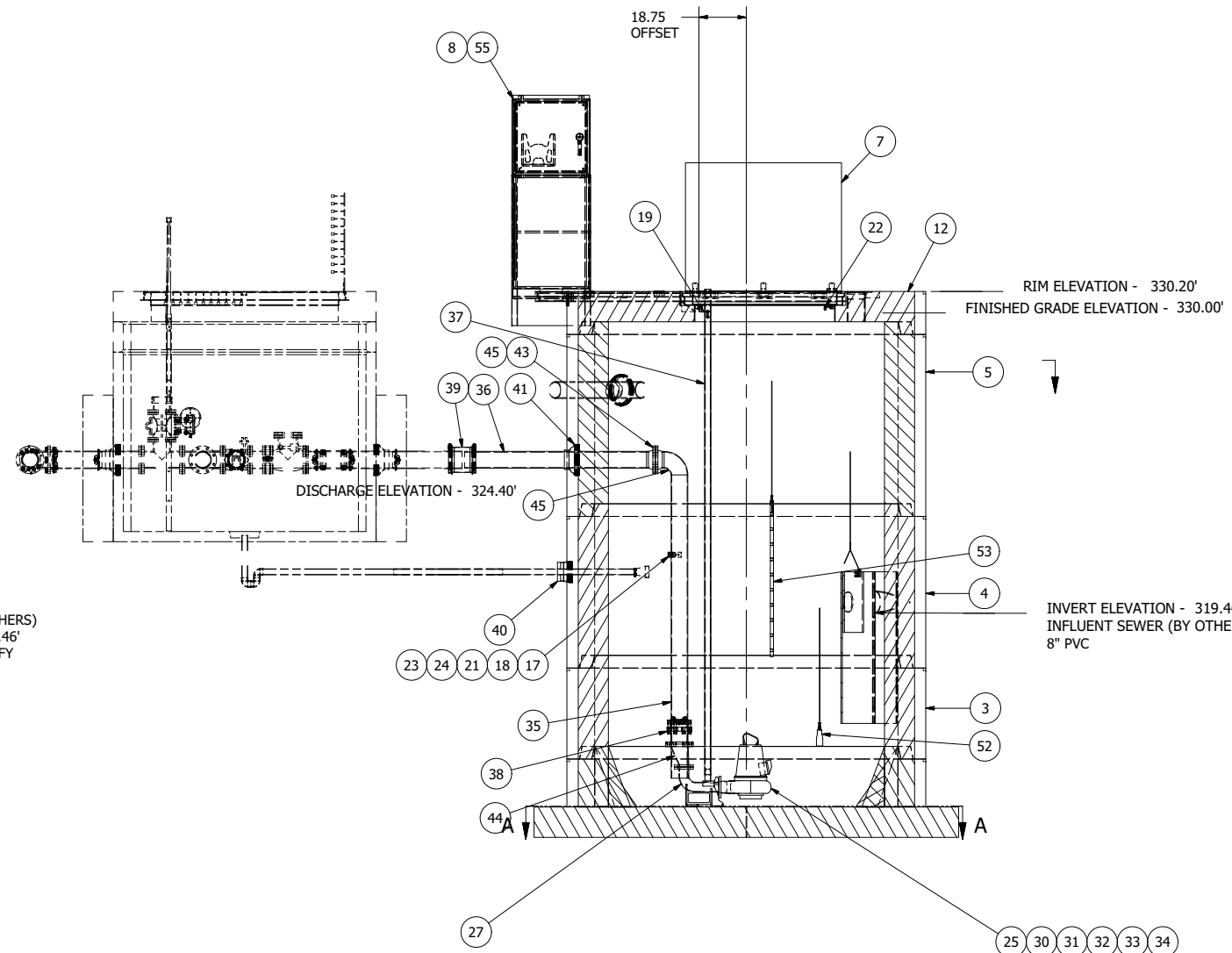
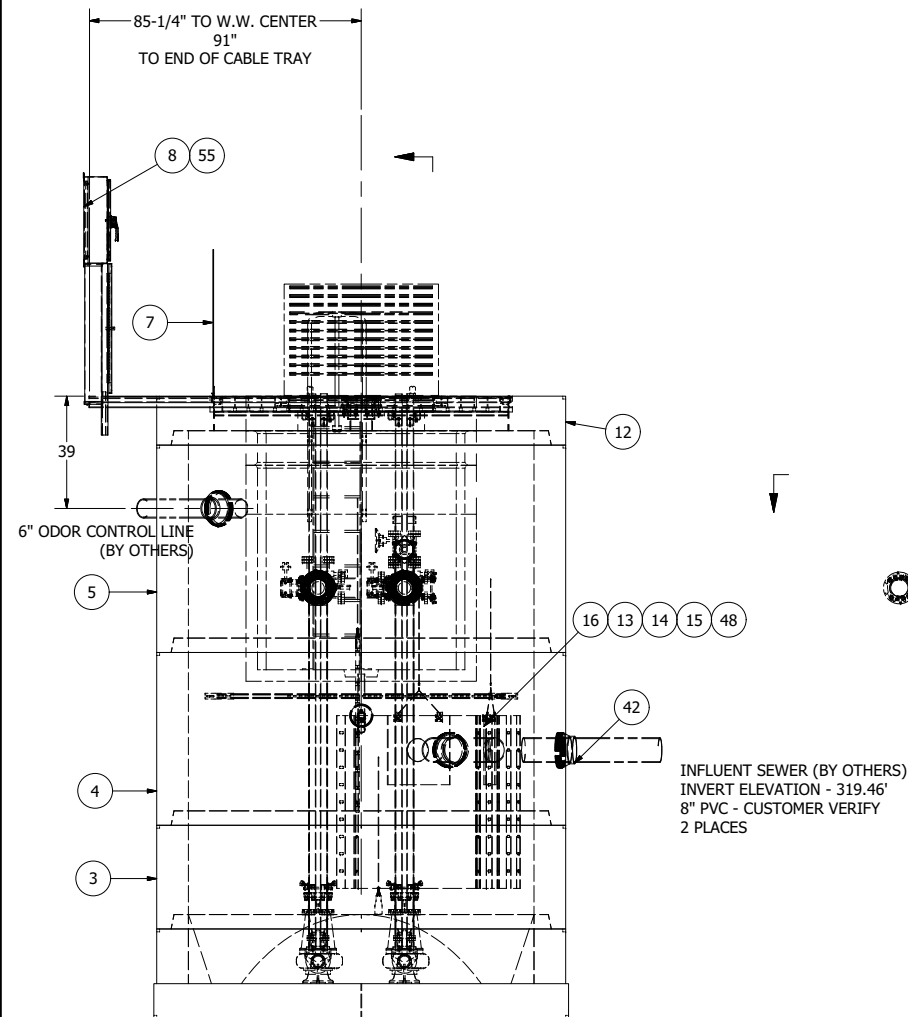


ANCHOR BOLT LAYOUT  
SECTION A-A SCALE 1/48



**NOTE: WET WELL TOP SLAB IS H-20 OCCASIONAL TRAFFIC RATED**



NOTE: ALL DIMENSIONS AND ELEVATIONS SHOWN ARE NOMINAL DIMENSIONS. IT IS THE RESPONSIBILITY OF THE ON-SITE CONTRACTOR OR ROMTEC UTILITIES CUSTOMER (NOT ROMTEC UTILITIES) TO VERIFY THE ACCURACY OF ANY CRITICAL DIMENSIONS OR ELEVATIONS PRIOR TO SETTING OR INSTALLING ANY EQUIPMENT.

**10'DIAMETER WET WELL  
6" DISCHARGE PIPING  
NP3127 FLYGT PUMPS  
6" - 687 VALVE VAULT**

ALL MATERIALS SHOWN ON THIS SHEET WILL BE SUPPLIED BY ROMTEC UTILITIES AND DELIVERED TO THE SITE AFTER THE HOLE HAS BEEN EXCAVATED AND SHORED. THE CONTRACTOR SHALL SUPPLY A CRANE OF SUFFICIENT SIZE TO LOWER ALL THE CONCRETE PIECES INTO THE HOLE SAFELY. THE CONTRACTOR SHALL INSTALL THE WET WELL (AND VALVE VAULT AND METERING VAULT IF APPLICABLE). ROMTEC UTILITIES WILL PROVIDE A REPRESENTATIVE FOR TECHNICAL ASSISTANCE ON THE DAY OF INSTALLATION TO ANSWER ANY QUESTIONS THAT MAY ARISE. THE CONTRACTOR IS RESPONSIBLE FOR ALL PLUMBING AND ELECTRICAL CONNECTIONS AND INSTALLATION. ITEMS NOTED AS "BY OTHERS" WILL BE PROVIDED AND INSTALLED BY THE CONTRACTOR. ROMTEC UTILITIES WILL NOT INSTALL ANY OF THE COMPONENTS SHOWN ON THIS PAGE.

© 2010 ROMTEC INC. ALL RIGHTS RESERVED. THESE PLANS AND DRAWINGS MAY NOT BE REPRODUCED, ADAPTED, OR FURTHER DISTRIBUTED, AND NO COMPONENTS MAY BE CONSTRUCTED FROM THESE PLANS, WITHOUT WRITTEN PERMISSION OF ROMTEC, INC.

REV	DESCRIPTION	DATE	APPROV
7	UPDATED PER LAUNCH DOCS	7/27/11	AD
6	CHANGES PER 05/27/11 COMMENTS	05/31/11	AM
5	CHANGES PER 3/10/11 COMMENTS AND THRU 3/24/11	3/24/11	AD
4	UPDATED RIM ELEVATION	1/19/11	AD
3	UPDATED PER COMMENTS	1/16/11	AD
2	ADDED INLET PIPE AND CHANGED ORIENTATION	12/3/10	AD
1	COMPONENT DRAWING	11/24/10	AM

VERIFY SCALE  
BAR IS ONE INCH ON ORIGINAL DRAWING

1"

0

IF NOT ONE INCH ON THIS SHEET, ADJUST SIZES PROPORTIONALLY

DSN - AM  
DRN - AM  
CKD - AM  
DATE - 11/24/10

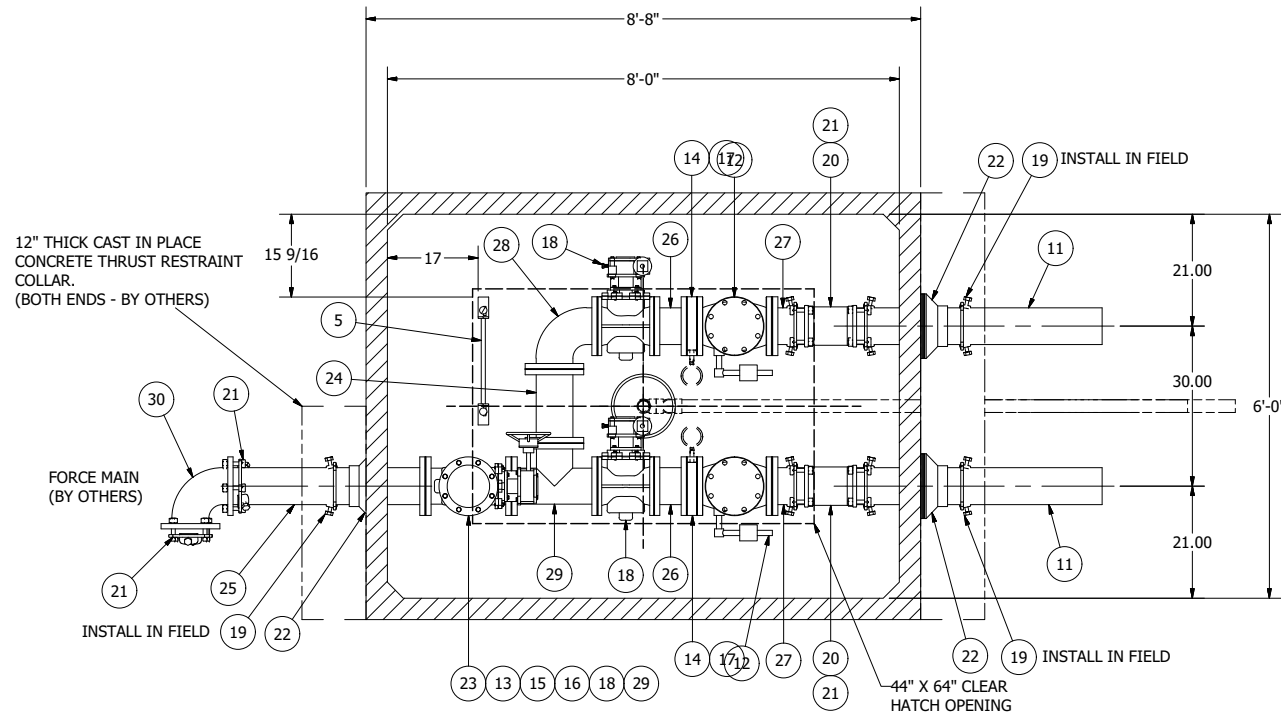
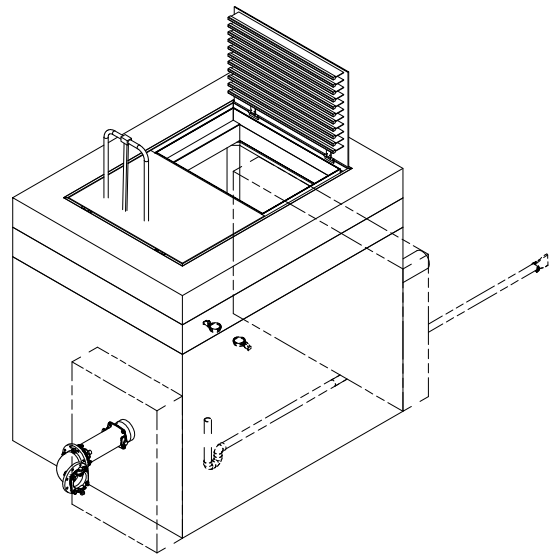
**ROMTEC UTILITIES**  
18240 NORTH BANK ROAD  
ROSEBURG, OREGON 97470  
(541) 496-9678  
FAX (541) 496-0804

ROTSCHY, INC.  
TREVOR MASSIE

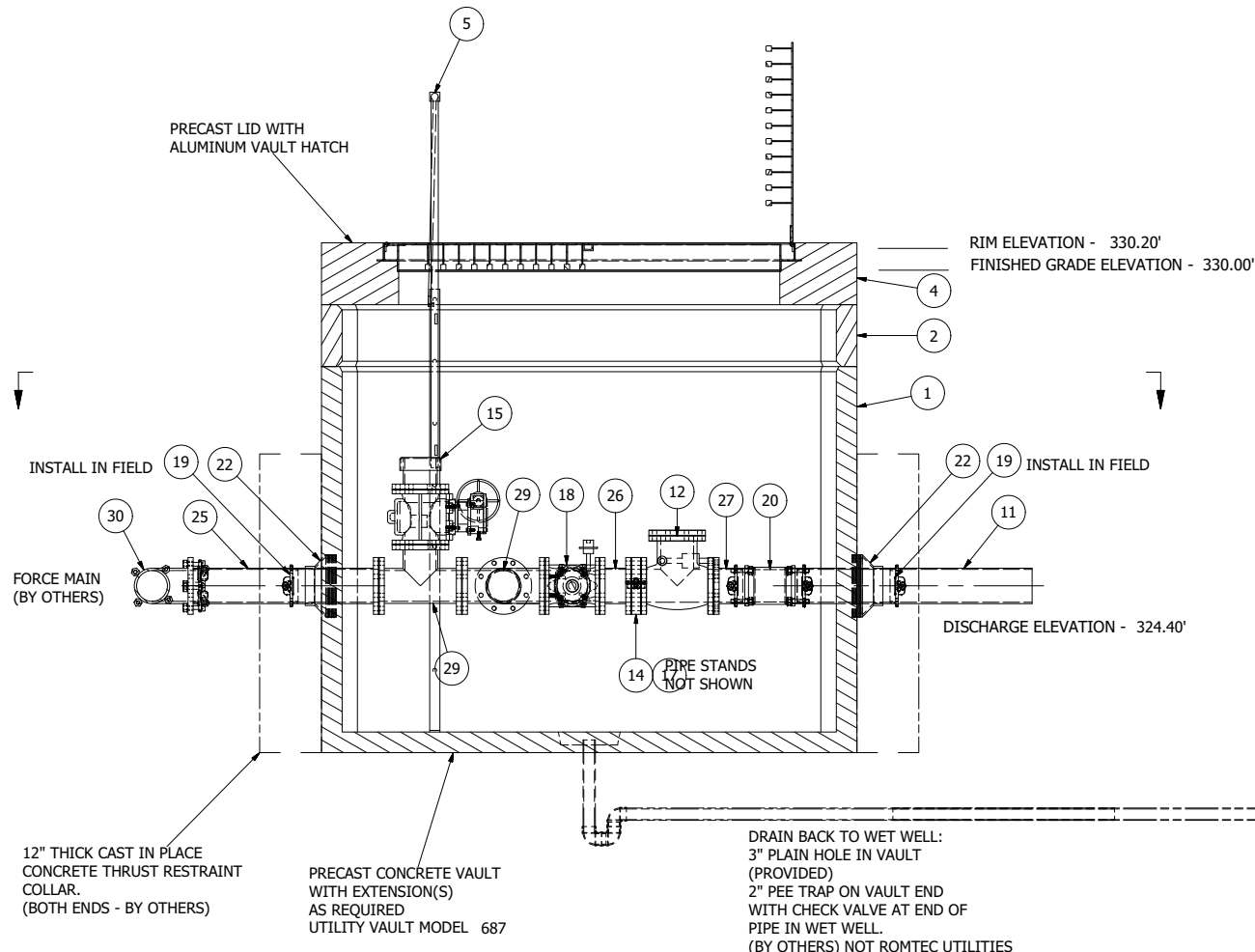
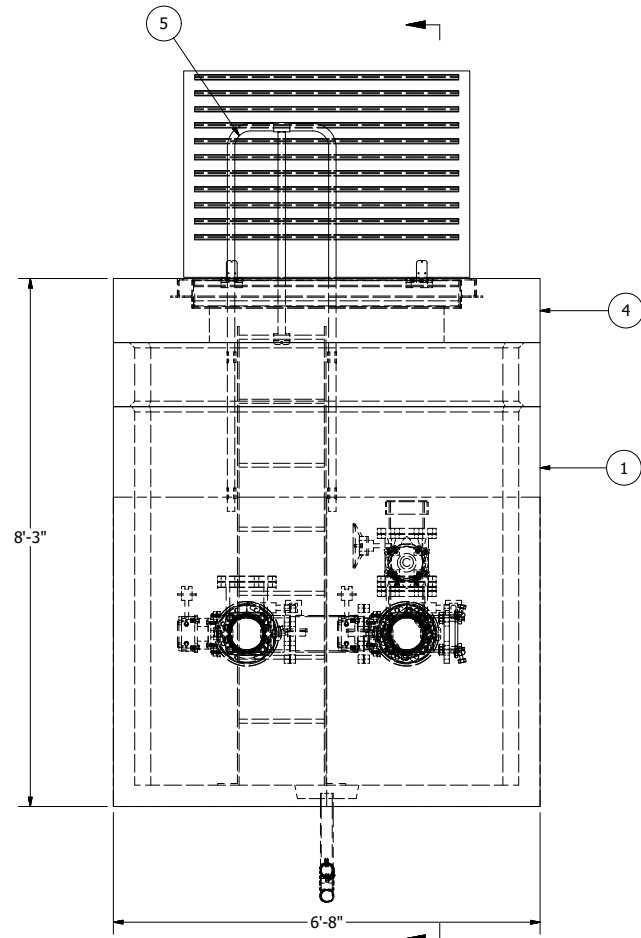
**HILLS AT ROUND LAKE  
6" - 10' DIA WET WELL**

SHEET  
**1 OF 2**

JOB NUMBER  
**RMTC  
0000**



**NOTE: VAULT TOP SLAB IS H-20 OCCASIONAL RATED**



NOTE: ALL DIMENSIONS AND ELEVATIONS SHOWN ARE NOMINAL DIMENSIONS. IT IS THE RESPONSIBILITY OF THE ON-SITE CONTRACTOR OR ROMTEC UTILITIES CUSTOMER (NOT ROMTEC UTILITIES) TO VERIFY THE ACCURACY OF ANY CRITICAL DIMENSIONS OR ELEVATIONS PRIOR TO SETTING OR INSTALLING ANY EQUIPMENT.

**687 VALVE VAULT  
6" PIPING AND VALVES  
WITH PUMPING PORT**

© 2010 ROMTEC INC. ALL RIGHTS RESERVED. THESE PLANS AND DRAWINGS MAY NOT BE REPRODUCED, ADAPTED, OR FURTHER DISTRIBUTED, AND NO COMPONENTS MAY BE CONSTRUCTED FROM THESE PLANS, WITHOUT WRITTEN PERMISSION OF ROMTEC, INC.

REV	DESCRIPTION	DATE	APPROV
5	UPDATED FOR LAUNCH DOCS	7/27/11	AD
4	CHANGES PER 3/10/11 COMMENTS AND COMMENTS THRU 3/24/11	3/24/11	AD
3	UPDATED RIM, FINISH GRADE & DISCHARGE ELEVATIONS	1-19-11	AD
2	UPDATED PER COMMENTS	1-6-11	AD
1	COMPONENT DRAWING	11/24/10	AM

**COMPONENT DRAWING**

**ROMTEC UTILITIES**  
18240 NORTH BANK ROAD  
ROSEBURG, OREGON 97470  
(541) 496-9678  
FAX (541) 496-0804

ROTSCHY, INC  
TREVOR MASSIE  
**HILLS AT ROUND LAKE  
6" - 687 VALVE VAULT**

SHEET  
**2 OF 2**  
JOB NUMBER  
**RMTC  
0000**