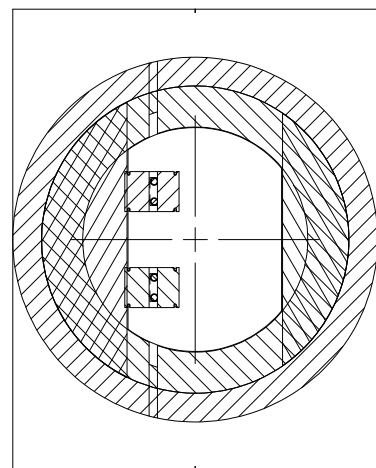
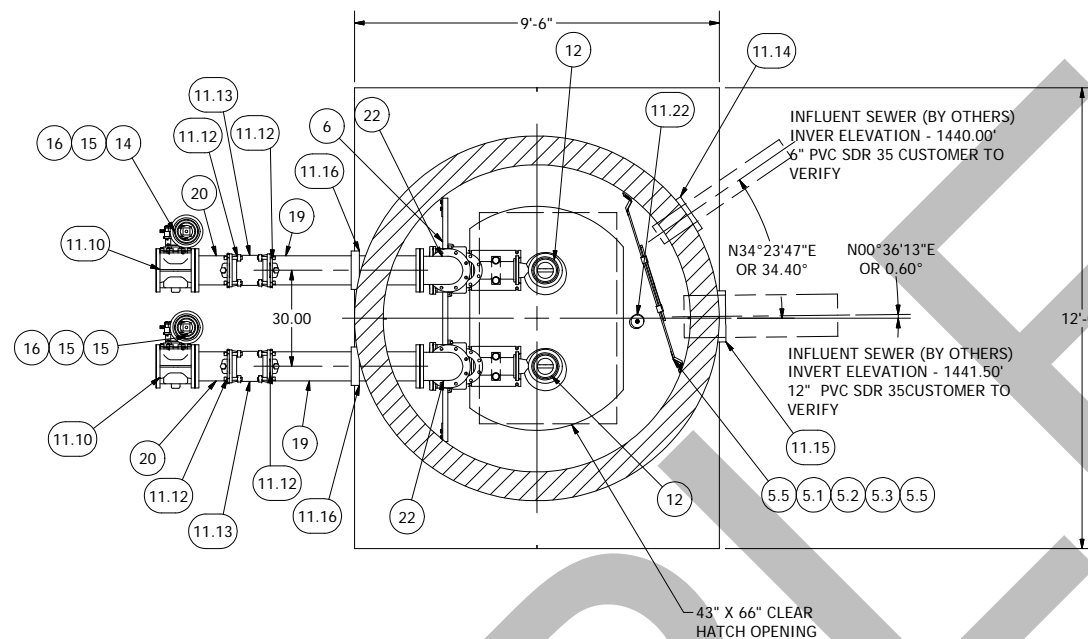


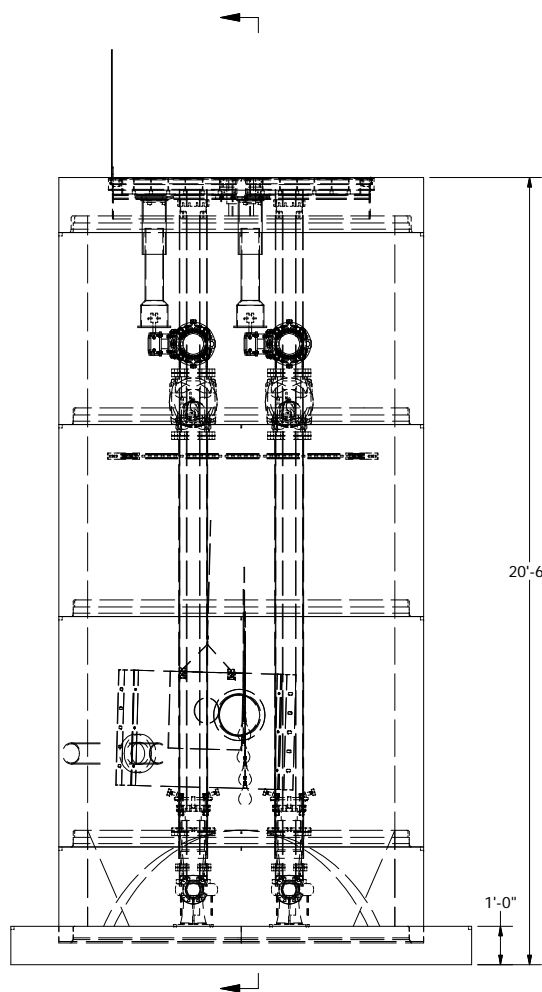
8' DIAMETER WET WELL
8" DISCHARGE PIPING
EBARA PUMPS



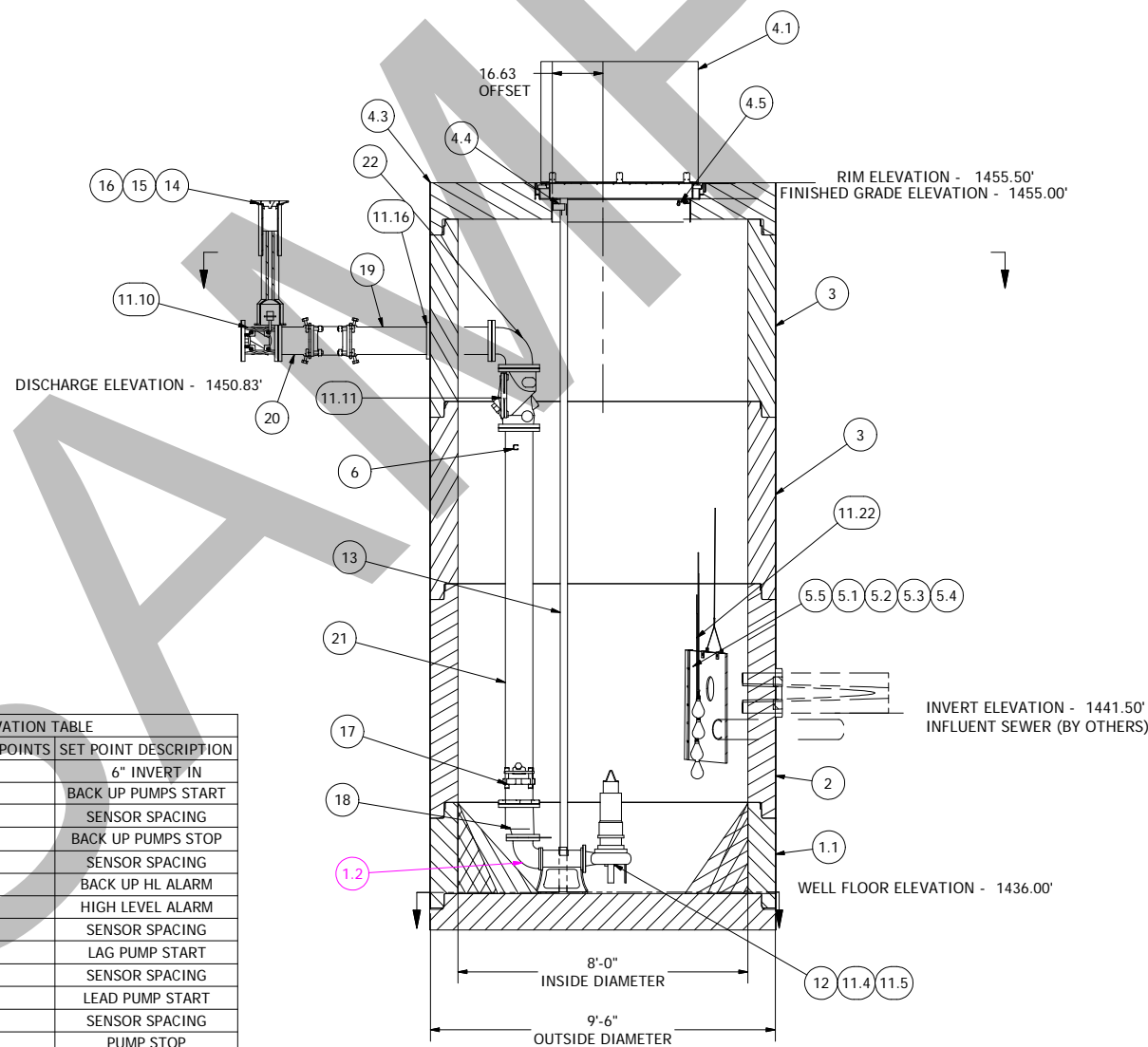
ANCHOR BOLT DETAIL



NOTE: WET WELL TOP SLAB IS H-20 OCCASIONAL TRAFFIC RATED



SENSOR AND ELEVATION TABLE		
LEVEL ELEVATION	DISTANCE BETWEEN POINTS	SET POINT DESCRIPTION
1440.00		6" INVERT IN
N/A		BACK UP PUMPS START
	N/A	SENSOR SPACING
N/A		BACK UP PUMPS STOP
	N/A	SENSOR SPACING
N/A		BACK UP HL ALARM
1443.00		HIGH LEVEL ALARM
	0.5	SENSOR SPACING
1442.50		LAG PUMP START
	0.5	SENSOR SPACING
1442.00		LEAD PUMP START
	3.5	SENSOR SPACING
1438.5		PUMP STOP
	2.5	DISTANCE TO FLOOR
1436.00		FLOOR ELEVATION



NOTE: ALL DIMENSIONS AND ELEVATIONS SHOWN ARE NOMINAL DIMENSIONS. IT IS THE RESPONSIBILITY OF THE ON-SITE CONTRACTOR OR ROMTEC UTILITIES CUSTOMER (NOT ROMTEC UTILITIES) TO VERIFY THE ACCURACY OF ANY CRITICAL DIMENSIONS OR ELEVATIONS PRIOR TO SETTING OR INSTALLING ANY EQUIPMENT.

ALL MATERIALS SHOWN ON THIS SHEET WILL BE SUPPLIED BY ROMTEC UTILITIES AND DELIVERED TO THE SITE AFTER THE HOLE HAS BEEN EXCAVATED AND SHORED. THE CONTRACTOR SHALL SUPPLY A CRANE OF SUFFICIENT SIZE TO LOWER ALL THE CONCRETE PIECES INTO THE HOLE SAFELY. THE CONTRACTOR SHALL INSTALL THE WET WELL (AND VALVE VAULT AND METERING VAULT IF APPLICABLE). ROMTEC UTILITIES WILL PROVIDE A REPRESENTATIVE FOR TECHNICAL ASSISTANCE ON THE DAY OF INSTALLATION TO ANSWER ANY QUESTIONS THAT MAY ARISE. THE CONTRACTOR IS RESPONSIBLE FOR ALL PLUMBING AND ELECTRICAL CONNECTIONS AND INSTALLATION. ITEMS NOTED AS "BY OTHERS" WILL BE PROVIDED AND INSTALLED BY THE CONTRACTOR. ROMTEC UTILITIES WILL NOT INSTALL ANY OF THE COMPONENTS SHOWN ON THIS PAGE.

© 2013 ROMTEC INC. ALL RIGHTS RESERVED. THESE PLANS AND DRAWINGS MAY NOT BE REPRODUCED, ADAPTED, OR FURTHER DISTRIBUTED, AND NO COMPONENTS MAY BE CONSTRUCTED FROM THESE PLANS, WITHOUT WRITTEN PERMISSION OF ROMTEC, INC.

VERIFY SCALE
BAR IS ONE INCH ON ORIGINAL DRAWING
IF NOT ONE INCH ON THIS SHEET, ADJUST SCALES PROPORTIONALLY

COMPONENT DRAWING

ROMTEC UTILITIES
18240 NORTH BANK ROAD
ROSEBURG, OREGON 97470
(541) 496-9678
FAX (541) 496-0804

HOME DEPOT DFDC
8" - 8' DIA WET WELL

SHEET
1 OF 1
JOB NUMBER
RMTC
0000

REV	DESCRIPTION	DATE	APPROV
1	CORRECTED PUMP MODEL NUMBER	4/3/13	NG

REVISION HISTORY
DATE - 2-4-2013