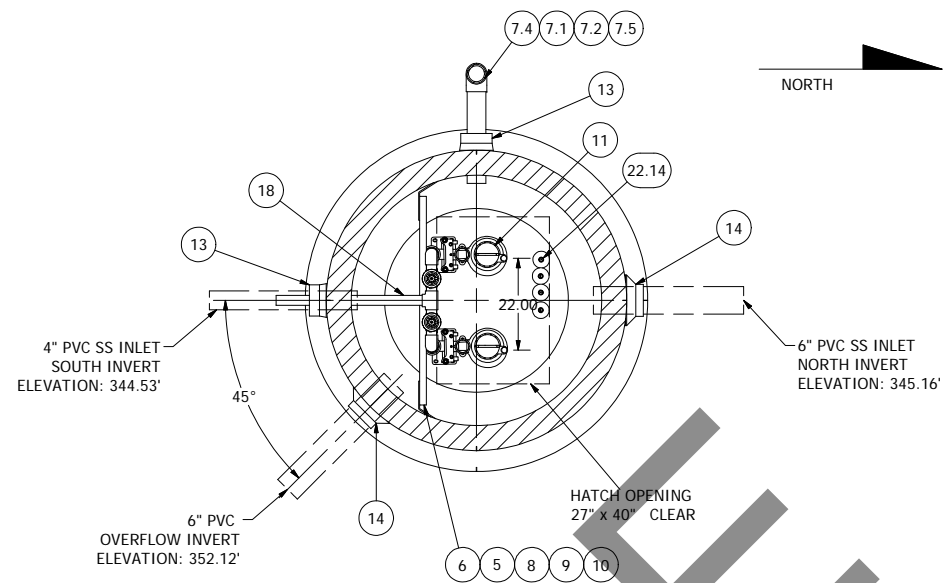
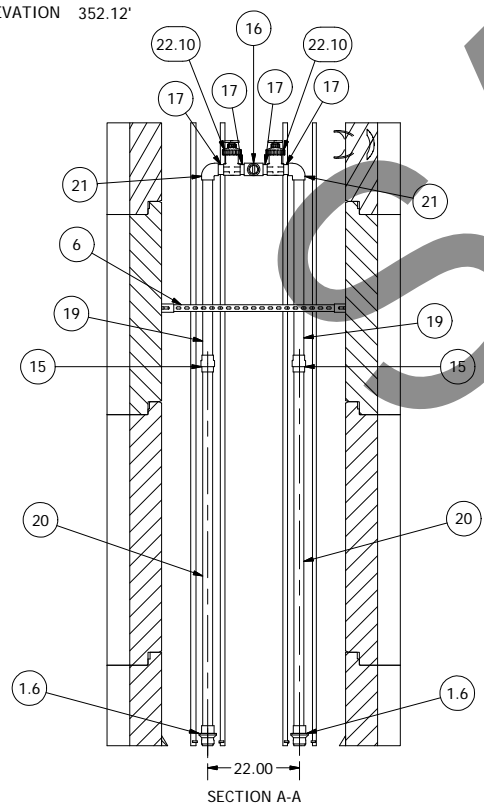
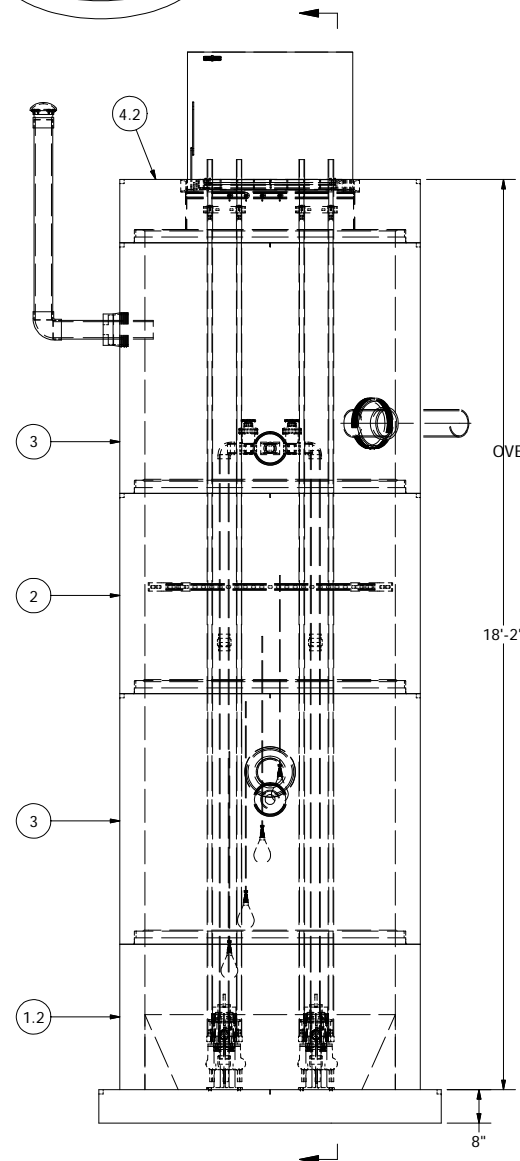
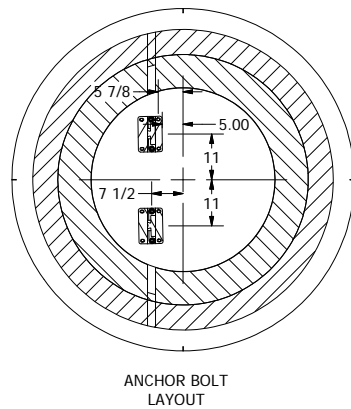
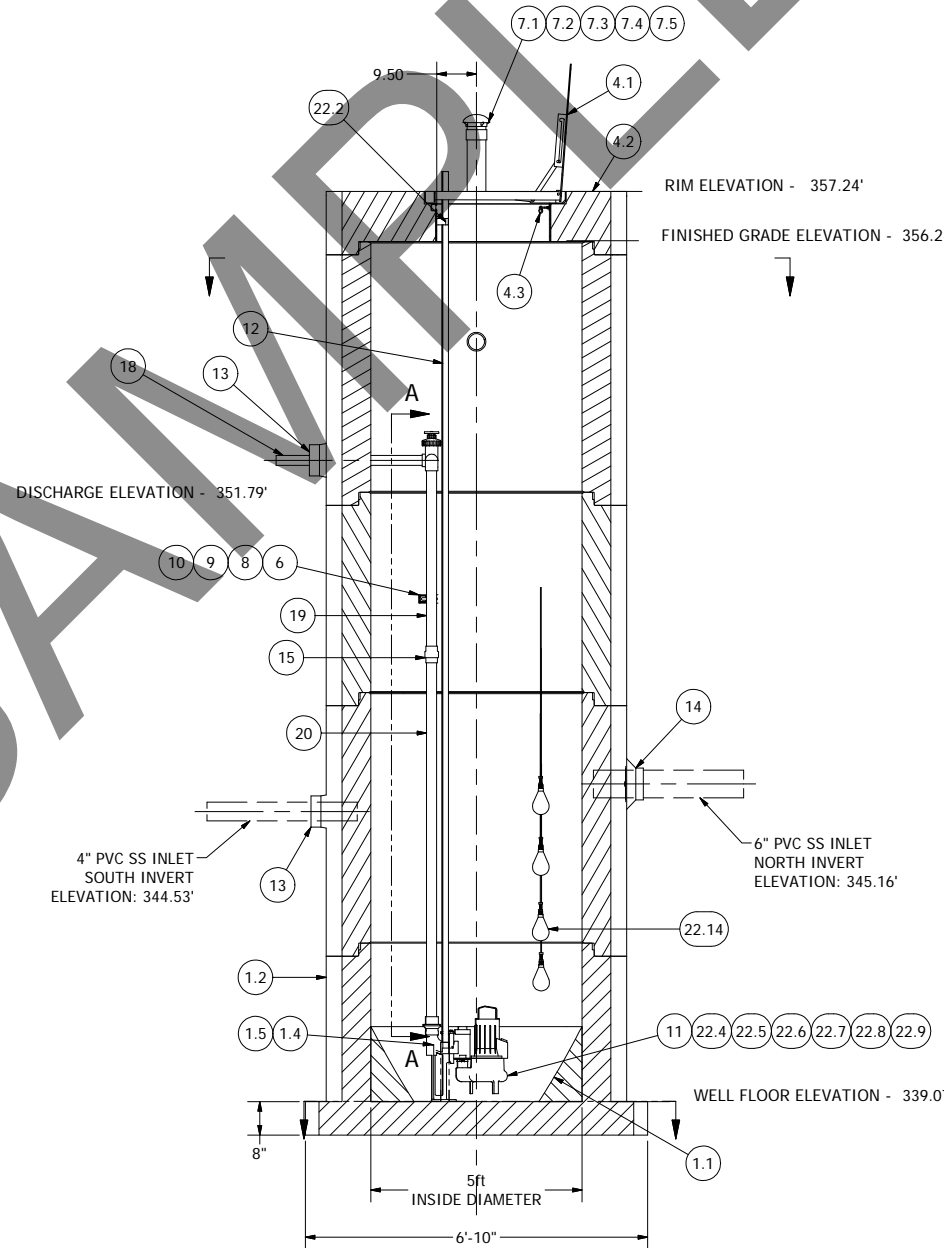


SENSOR AND ELEVATION TABLE		
LEVEL ELEVATION	DISTANCE BETWEEN POINTS	SET POINT DESCRIPTION
345.16		NORTH INVERT IN
344.53		SOUTH INVERT IN
N/A		BACK UP PUMPS START
N/A	N/A	SENSOR SPACING
N/A	N/A	BACK UP PUMPS STOP
N/A	N/A	SENSOR SPACING
N/A	N/A	BACK UP HL ALARM
342.57	0.50	HIGH LEVEL ALARM
342.07	0.50	SENSOR SPACING
342.07	0.50	LAG PUMP START
342.07	0.50	SENSOR SPACING
342.07	0.50	LEAD PUMP START
341.07	0.50	SENSOR SPACING
341.07	0.50	PUMP STOP
339.07	2.00	DISTANCE TO FLOOR
339.07		FLOOR ELEVATION



NOTE: WET WELL TOP SLAB IS PEDESTRIAN RATED



NOTE: ALL DIMENSIONS AND ELEVATIONS SHOWN ARE NOMINAL DIMENSIONS. IT IS THE RESPONSIBILITY OF THE ON-SITE CONTRACTOR OR ROMTEC UTILITIES CUSTOMER (NOT ROMTEC UTILITIES) TO VERIFY THE ACCURACY OF ANY CRITICAL DIMENSIONS OR ELEVATIONS PRIOR TO SETTING OR INSTALLING ANY EQUIPMENT.

5' DIAMETER WET WELL
2" DISCHARGE PIPING
2GV XYLEM GOULDS PUMPS

ALL MATERIALS SHOWN ON THIS SHEET WILL BE SUPPLIED BY ROMTEC UTILITIES AND DELIVERED TO THE SITE AFTER THE HOLE HAS BEEN EXCAVATED AND SHORED. THE CONTRACTOR SHALL SUPPLY A CRANE OF SUFFICIENT SIZE TO LOWER ALL THE CONCRETE PIECES INTO THE HOLE SAFELY. THE CONTRACTOR SHALL INSTALL THE WET WELL (AND VALVE VAULT AND METERING VAULT IF APPLICABLE). ROMTEC UTILITIES WILL PROVIDE A REPRESENTATIVE FOR TECHNICAL ASSISTANCE ON THE DAY OF INSTALLATION TO ANSWER ANY QUESTIONS THAT MAY ARISE. THE CONTRACTOR IS RESPONSIBLE FOR ALL PLUMBING AND ELECTRICAL CONNECTIONS AND INSTALLATION. ITEMS NOTED AS "BY OTHERS" WILL BE PROVIDED AND INSTALLED BY THE CONTRACTOR. ROMTEC UTILITIES WILL NOT INSTALL ANY OF THE COMPONENTS SHOWN ON THIS PAGE.

© 2013 ROMTEC INC. ALL RIGHTS RESERVED. THESE PLANS AND DRAWINGS MAY NOT BE REPRODUCED, ADAPTED, OR FURTHER DISTRIBUTED, AND NO COMPONENTS MAY BE CONSTRUCTED FROM THESE PLANS, WITHOUT WRITTEN PERMISSION OF ROMTEC, INC.

REV	DESCRIPTION	DATE	APPROV
3	PRODUCT TO LAUNCH REVISIONS	9-27-13	AD
2	REVISED PER 8-29-13 COMMENTS	9/4/13	AD
1	REVISED PER NEW SITE PLAN	8/6/13	AD

REVISION HISTORY

VERIFY SCALE
BAR IS ONE INCH ON ORIGINAL DRAWING

1"
IF NOT ONE INCH ON THIS SHEET ADJUST SCALES APPROPRIATELY

0

DSN - NG
DIRN - NG
CKD - AD
DATE - 5-31-13

COMPONENT DRAWING

18240 NORTH BANK ROAD
ROSEBURG, OREGON 97470
(541) 496-9678
FAX (541) 496-0804

INDIAN SPRINGS WW #2
5' WET WELL - 2" DISCHARGE

SHEET
1 OF 1

JOB NUMBER
RMTC
0000