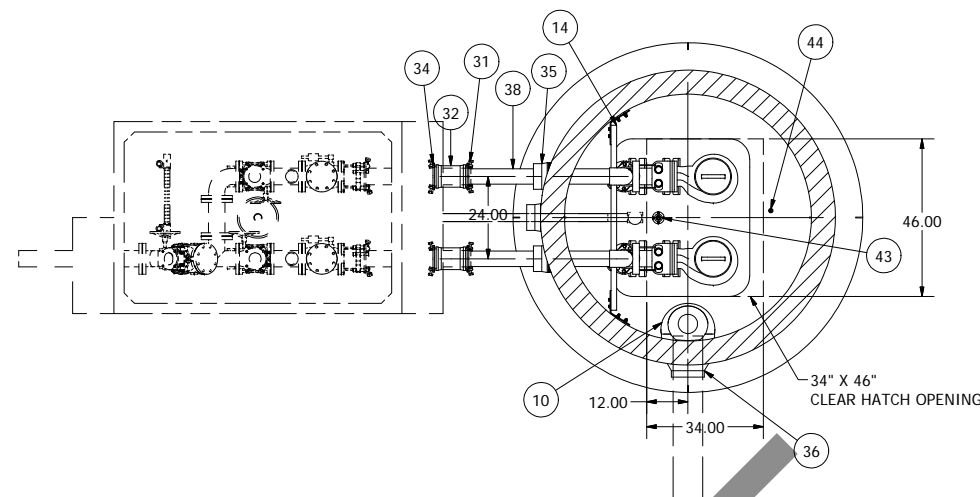
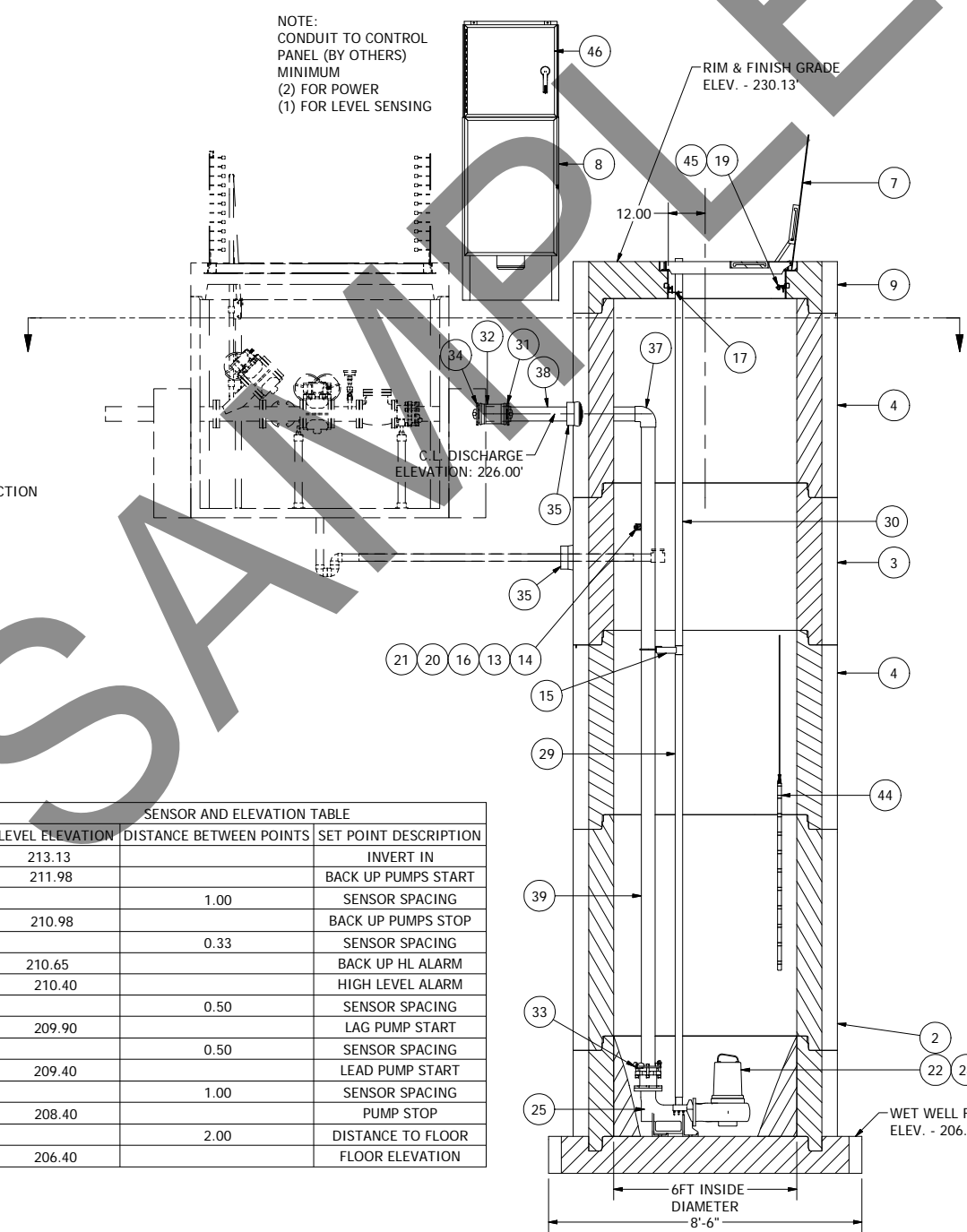


SEE VALVE VAULT SECTION FOR DETAILS



NOTE: WET WELL TOP SLAB IS H-20 OCCASIONAL TRAFFIC RATED



NOTE:
CONDUIT TO CONTROL PANEL (BY OTHERS)
MINIMUM
(2) FOR POWER
(1) FOR LEVEL SENSING

SEE VALVE VAULT SECTION FOR DETAILS

| SENSOR AND ELEVATION TABLE | | |
|----------------------------|-------------------------|-----------------------|
| LEVEL ELEVATION | DISTANCE BETWEEN POINTS | SET POINT DESCRIPTION |
| 213.13 | | INVERT IN |
| 211.98 | | BACK UP PUMPS START |
| | 1.00 | SENSOR SPACING |
| 210.98 | | BACK UP PUMPS STOP |
| | 0.33 | SENSOR SPACING |
| 210.65 | | BACK UP HL ALARM |
| 210.40 | | HIGH LEVEL ALARM |
| | 0.50 | SENSOR SPACING |
| 209.90 | | LAG PUMP START |
| | 0.50 | SENSOR SPACING |
| 209.40 | | LEAD PUMP START |
| | 1.00 | SENSOR SPACING |
| 208.40 | | PUMP STOP |
| | 2.00 | DISTANCE TO FLOOR |
| 206.40 | | FLOOR ELEVATION |

6' DIAMETER WET WELL
4" DISCHARGE PIPING
FLYGT NP3102MT PUMPS
4" - 5' X 7' VAULT

NOTE: ALL DIMENSIONS AND ELEVATIONS SHOWN ARE NOMINAL DIMENSIONS. IT IS THE RESPONSIBILITY OF THE ON-SITE CONTRACTOR OR ROMTEC UTILITIES CUSTOMER (NOT ROMTEC UTILITIES) TO VERIFY THE ACCURACY OF ANY CRITICAL DIMENSIONS OR ELEVATIONS PRIOR TO SETTING OR INSTALLING ANY EQUIPMENT.

VERIFY SCALE
BAR IS ONE INCH ON ORIGINAL DRAWING
1" = 1'-0"
IF NOT ONE INCH ON THIS SHEET, ADJUST SCALES APPROPRIATELY
0

COMPONENT DRAWING

ROMTEC UTILITIES
18240 NORTH BANK ROAD
ROSEBURG, OREGON 97470
(541) 496-9678
FAX (541) 496-0804

JESSIE HOLLOW
6ft WET WELL - 4in PIPING

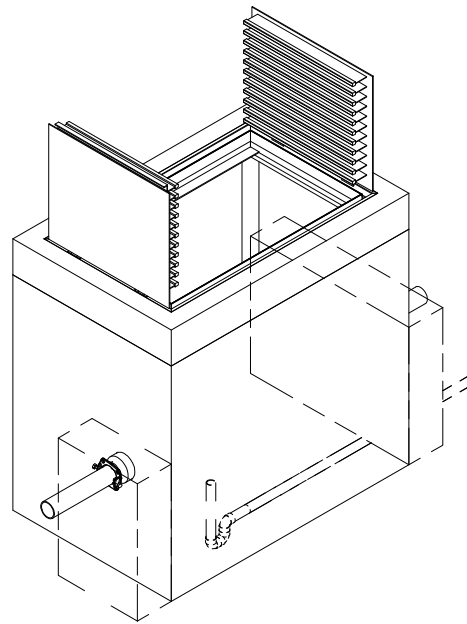
SHEET
1 OF 2

JOB NUMBER
RMTC
0000

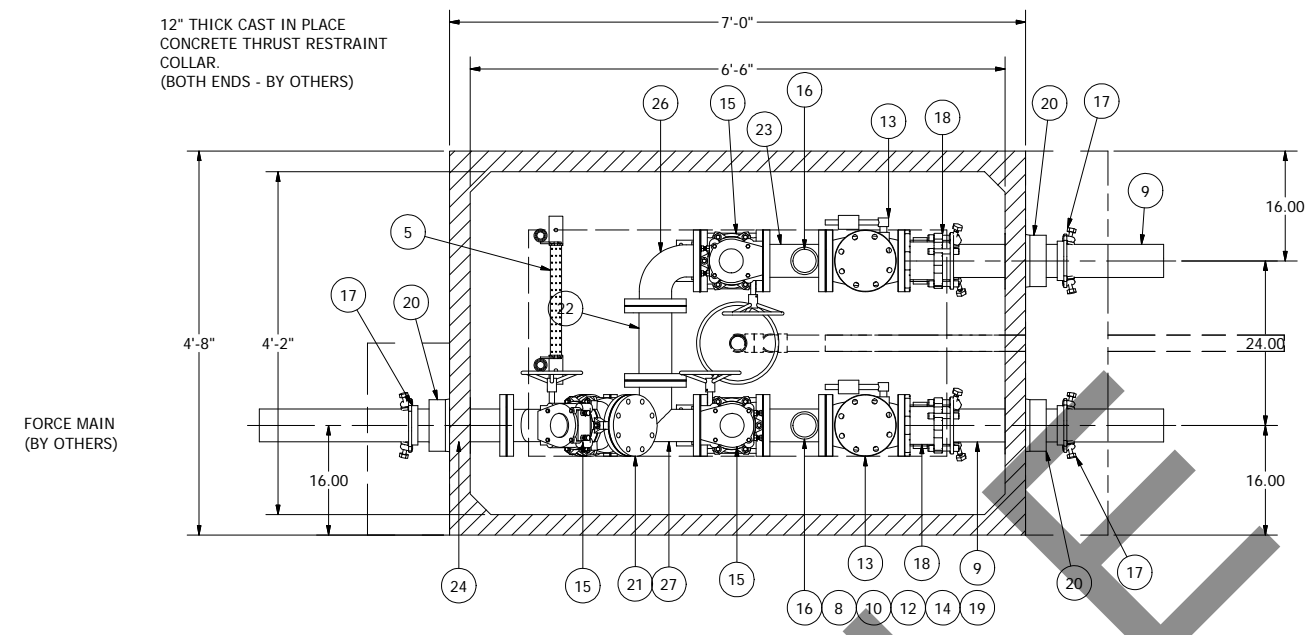
| REV | DESCRIPTION | DATE | APPROV |
|-----|------------------------------------|---------|--------|
| 6 | REVISED PUMP IMPELLER PER COMMENTS | 9-2-15 | AD |
| 5 | REVISED TO ALL 4IN PIPING | 9-2-15 | AD |
| 4 | REVISED PER PRODUCTION LAUNCH | 9-1-15 | AD |
| 3 | ELEVATION CHANGES PER COMMENTS | 8-18-15 | AD |
| 2 | REMOVED CABLE TRAY | 7-13-15 | KB |
| 1 | FLYGT PUMPS, CABLE TRAY | 7-8-15 | KB |

ALL MATERIALS SHOWN ON THIS SHEET WILL BE SUPPLIED BY ROMTEC UTILITIES AND DELIVERED TO THE SITE AFTER THE HOLE HAS BEEN EXCAVATED AND SHORED. THE CONTRACTOR SHALL SUPPLY A CRANE OF SUFFICIENT SIZE TO LOWER ALL THE CONCRETE PIECES INTO THE HOLE SAFELY. THE CONTRACTOR SHALL INSTALL THE WET WELL (AND VALVE VAULT AND METERING VAULT IF APPLICABLE). ROMTEC UTILITIES WILL PROVIDE A REPRESENTATIVE FOR TECHNICAL ASSISTANCE ON THE DAY OF INSTALLATION TO ANSWER ANY QUESTIONS THAT MAY ARISE. THE CONTRACTOR IS RESPONSIBLE FOR ALL PLUMBING AND ELECTRICAL CONNECTIONS AND INSTALLATION. ITEMS NOTED AS "BY OTHERS" WILL BE PROVIDED AND INSTALLED BY THE CONTRACTOR. ROMTEC UTILITIES WILL NOT INSTALL ANY OF THE COMPONENTS SHOWN ON THIS PAGE.

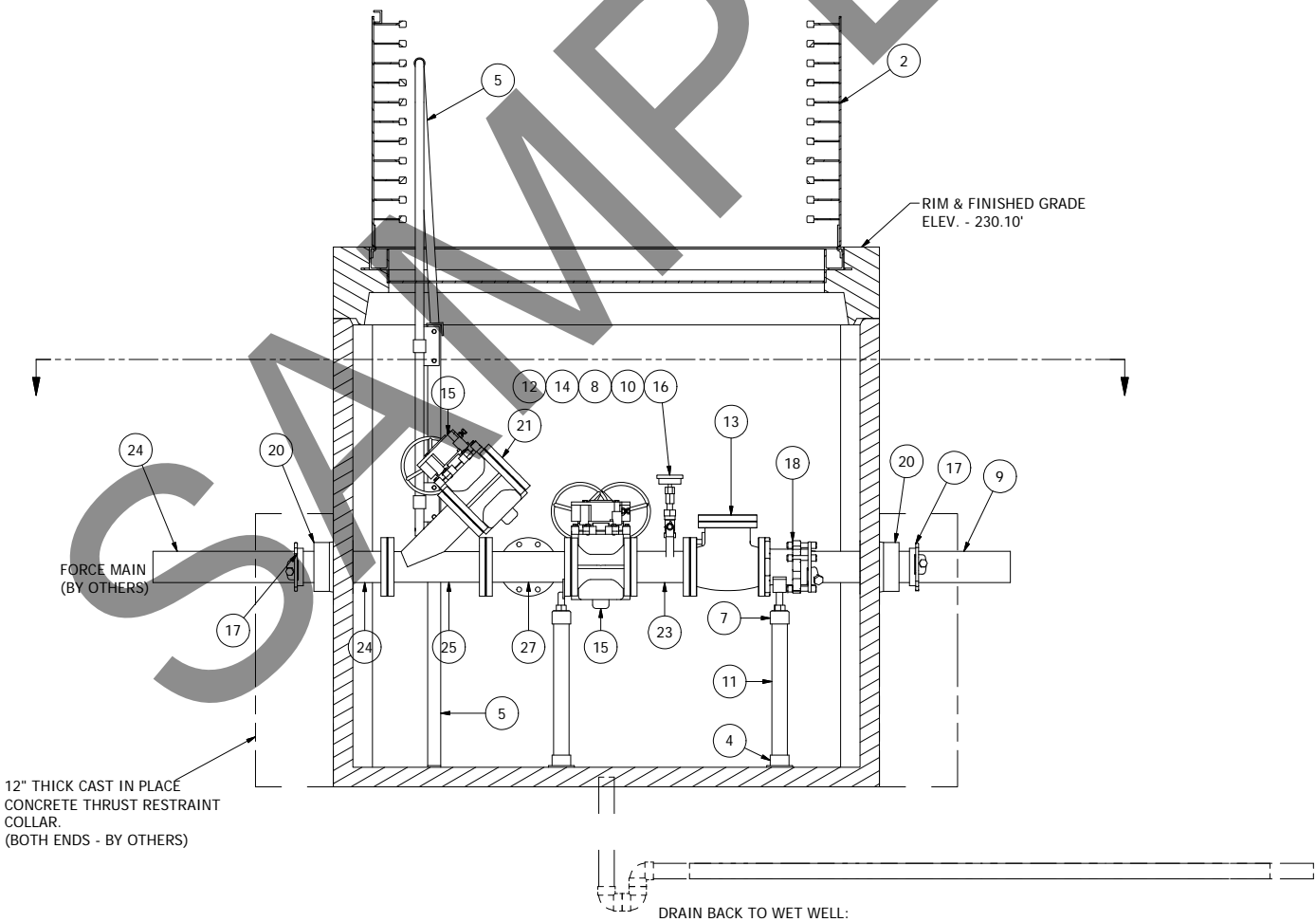
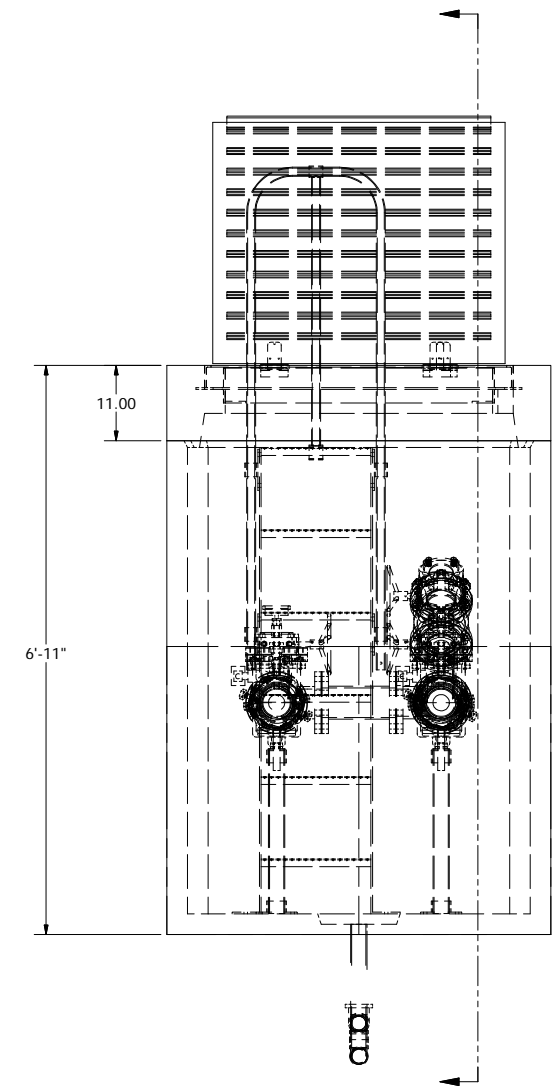
© 2015 ROMTEC INC. ALL RIGHTS RESERVED. THESE PLANS AND DRAWINGS MAY NOT BE REPRODUCED, ADAPTED, OR FURTHER DISTRIBUTED, AND NO COMPONENTS MAY BE CONSTRUCTED FROM THESE PLANS, WITHOUT WRITTEN PERMISSION OF ROMTEC, INC.



**5' X 7' VALVE VAULT
4" PIPING AND VALVES
PUMPING PORT**



NOTE: VAULT TOP SLAB IS H-20 OCCASIONAL RATED



DRAIN BACK TO WET WELL:
3" PLAIN HOLE IN VAULT (PROVIDED)
2" PEE TRAP ON VAULT END WITH CHECK VALVE AT END OF PIPE IN WET WELL.
(BY OTHERS) NOT ROMTEC UTILITIES

NOTE: ALL DIMENSIONS AND ELEVATIONS SHOWN ARE NOMINAL DIMENSIONS. IT IS THE RESPONSIBILITY OF THE ON-SITE CONTRACTOR OR ROMTEC UTILITIES CUSTOMER (NOT ROMTEC UTILITIES) TO VERIFY THE ACCURACY OF ANY CRITICAL DIMENSIONS OR ELEVATIONS PRIOR TO SETTING OR INSTALLING ANY EQUIPMENT.

ALL MATERIALS SHOWN ON THIS SHEET WILL BE SUPPLIED BY ROMTEC UTILITIES AND DELIVERED TO THE SITE AFTER THE HOLE HAS BEEN EXCAVATED AND SHORED. THE CONTRACTOR SHALL SUPPLY A CRANE OF SUFFICIENT SIZE TO LOWER ALL THE CONCRETE PIECES INTO THE HOLE SAFELY. THE CONTRACTOR SHALL INSTALL THE WET WELL (AND VALVE VAULT AND METERING VAULT IF APPLICABLE). ROMTEC UTILITIES WILL PROVIDE A REPRESENTATIVE FOR TECHNICAL ASSISTANCE ON THE DAY OF INSTALLATION TO ANSWER ANY QUESTIONS THAT MAY ARISE. THE CONTRACTOR IS RESPONSIBLE FOR ALL PLUMBING AND ELECTRICAL CONNECTIONS AND INSTALLATION. ITEMS NOTED AS "BY OTHERS" WILL BE PROVIDED AND INSTALLED BY THE CONTRACTOR. ROMTEC UTILITIES WILL NOT INSTALL ANY OF THE COMPONENTS SHOWN ON THIS PAGE.

© 2015 ROMTEC INC. ALL RIGHTS RESERVED. THESE PLANS AND DRAWINGS MAY NOT BE REPRODUCED, ADAPTED, OR FURTHER DISTRIBUTED, AND NO COMPONENTS MAY BE CONSTRUCTED FROM THESE PLANS, WITHOUT WRITTEN PERMISSION OF ROMTEC, INC.

| REV | DESCRIPTION | DATE | APPROV |
|-----|---|---------|--------|
| 3 | REVISED PER LAUNCH | 9-1-15 | AD |
| 2 | ELEVATION CHANGE PER COMMENTS | 8-18-15 | AD |
| 1 | HANDWHEELS; EXT. ARM CHECKS; SFTY GRATE | 7-8-15 | KB |
| 0 | DESCRIPTION | DATE | APPROV |

COMPONENT DRAWING

ROMTEC UTILITIES
18240 NORTH BANK ROAD
ROSEBURG, OREGON 97470
(541) 496-9678
FAX (541) 496-0804

**JESSIE HOLLOW
4in VALVE VAULT**

SHEET
2 OF 2
JOB NUMBER
**RMTC
0000**