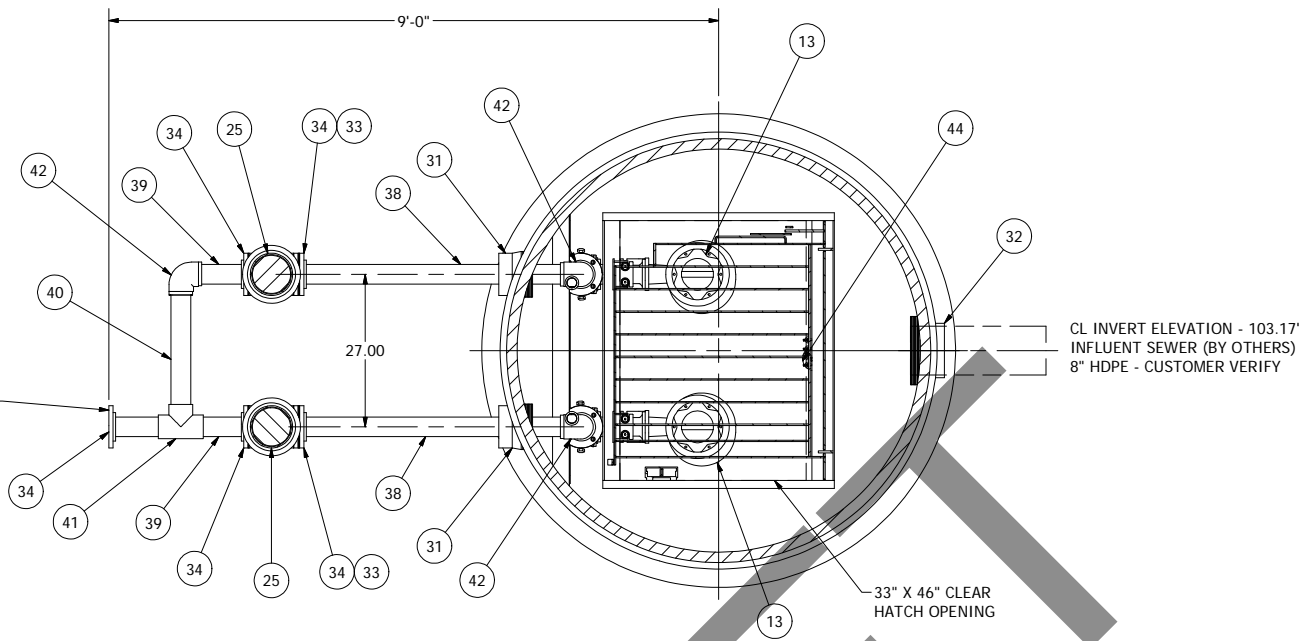
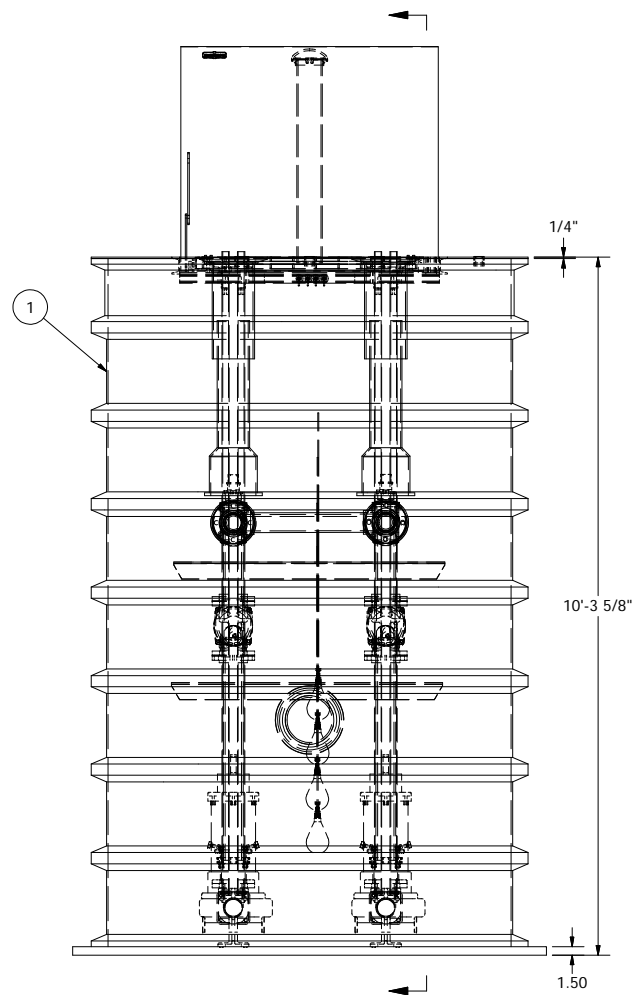


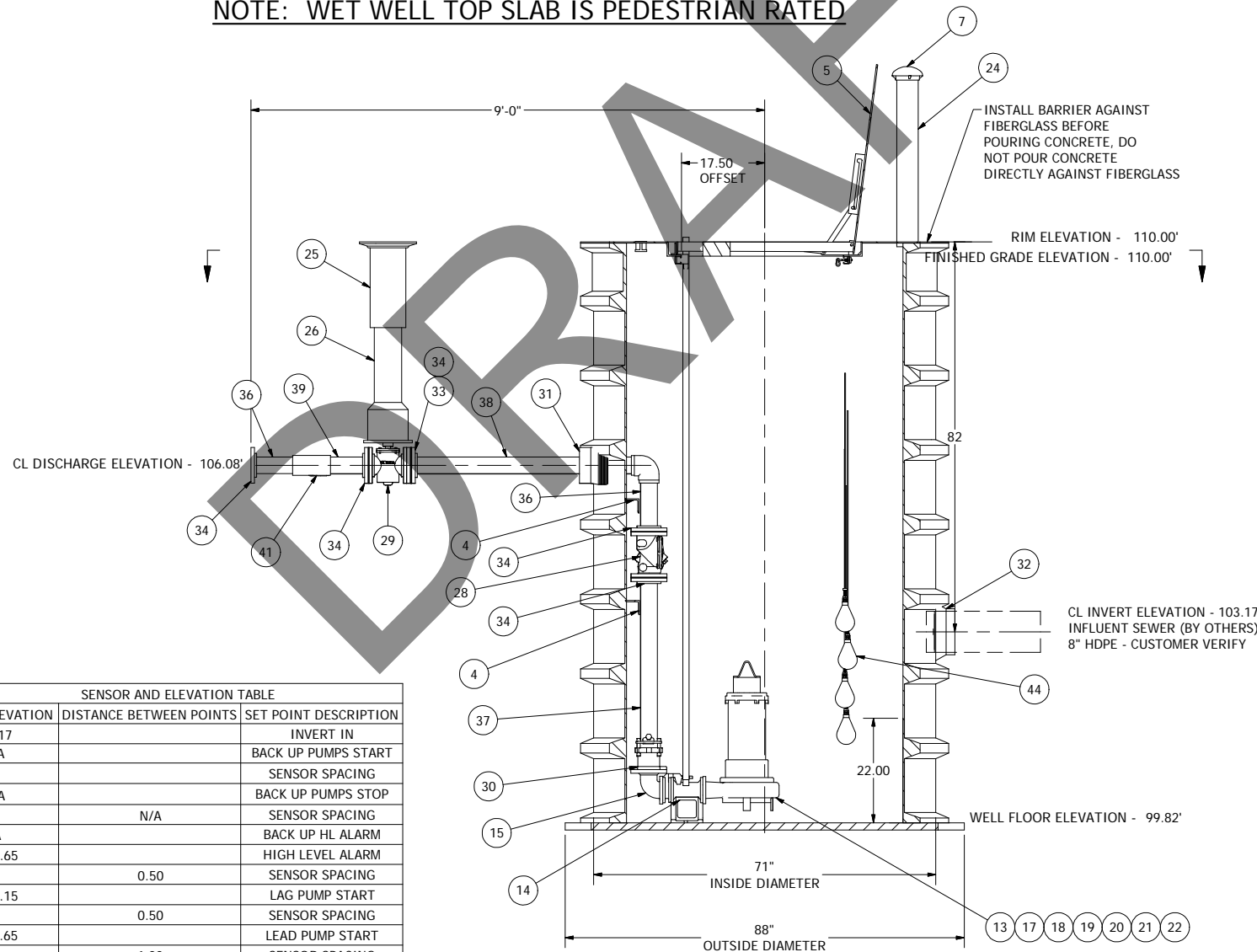
THE LAST PIECE OF PIPE MUST BE FIELD FIT TO MAKE THE FLANGE FACE TO COME OUT TO 9ft FROM THE WET WELL CENTERLINE.



**NOTE: WET WELL TOP SLAB IS PEDESTRIAN RATED**



SENSOR AND ELEVATION TABLE		
LEVEL ELEVATION	DISTANCE BETWEEN POINTS	SET POINT DESCRIPTION
103.17		INVERT IN
N/A		BACK UP PUMPS START
		SENSOR SPACING
N/A		BACK UP PUMPS STOP
		SENSOR SPACING
N/A	N/A	BACK UP HL ALARM
103.65		HIGH LEVEL ALARM
	0.50	SENSOR SPACING
103.15		LAG PUMP START
	0.50	SENSOR SPACING
102.65		LEAD PUMP START
	1.00	SENSOR SPACING
101.65		PUMP STOP
	1.83	DISTANCE TO FLOOR
99.82		FLOOR ELEVATION



NOTE: ALL DIMENSIONS AND ELEVATIONS SHOWN ARE NOMINAL DIMENSIONS. IT IS THE RESPONSIBILITY OF THE ON-SITE CONTRACTOR OR ROMTEC UTILITIES CUSTOMER (NOT ROMTEC UTILITIES) TO VERIFY THE ACCURACY OF ANY CRITICAL DIMENSIONS OR ELEVATIONS PRIOR TO SETTING OR INSTALLING ANY EQUIPMENT.

VERIFY SCALE  
BAR IS ONE INCH ON ORIGINAL DRAWING  
1"  
IF NOT ONE INCH ON THIS SHEET, ADJUST SCALES APPROPRIATELY  
0

DSN - NA  
DRN - NA  
CKD - AD  
DATE - 8/28/13

COMPONENT DRAWING

**ROMTEC UTILITIES**  
18240 NORTH BANK ROAD  
ROSEBURG, OREGON 97470  
(541) 496-9678  
FAX (541) 496-0804

TRAIN 3 OPEN DRAIN SUMP  
3" - 6' DIA WET WELL

**6' DIAMETER WET WELL  
3" DISCHARGE PIPING  
80DLFMU65.5 EBARA PUMPS**

ALL MATERIALS SHOWN ON THIS SHEET WILL BE SUPPLIED BY ROMTEC UTILITIES AND DELIVERED TO THE SITE AFTER THE HOLE HAS BEEN EXCAVATED AND SHORED. THE CONTRACTOR SHALL SUPPLY A CRANE OF SUFFICIENT SIZE TO LOWER ALL THE CONCRETE PIECES INTO THE HOLE SAFELY. THE CONTRACTOR SHALL INSTALL THE WET WELL (AND VALVE VAULT AND METERING VAULT IF APPLICABLE). ROMTEC UTILITIES WILL PROVIDE A REPRESENTATIVE FOR TECHNICAL ASSISTANCE ON THE DAY OF INSTALLATION TO ANSWER ANY QUESTIONS THAT MAY ARISE. THE CONTRACTOR IS RESPONSIBLE FOR ALL PLUMBING AND ELECTRICAL CONNECTIONS AND INSTALLATION. ITEMS NOTED AS "BY OTHERS" WILL BE PROVIDED AND INSTALLED BY THE CONTRACTOR. ROMTEC UTILITIES WILL NOT INSTALL ANY OF THE COMPONENTS SHOWN ON THIS PAGE.

REV	DESCRIPTION	DATE	APPROV
1	NORTH ARROW	9-13-13	NA