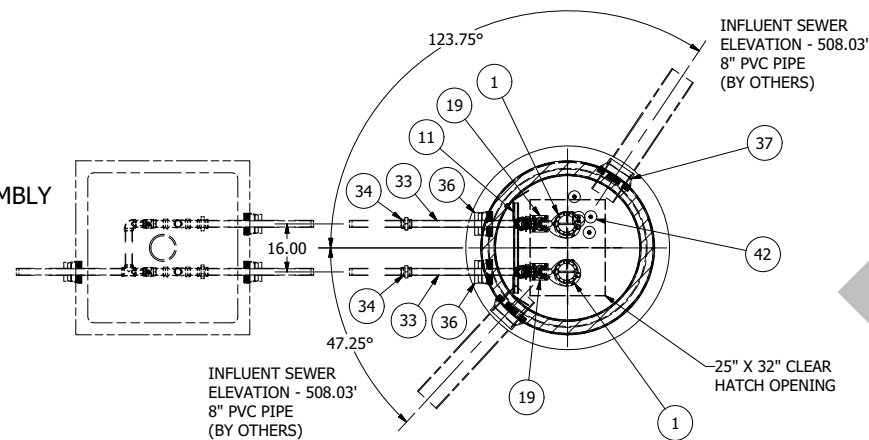


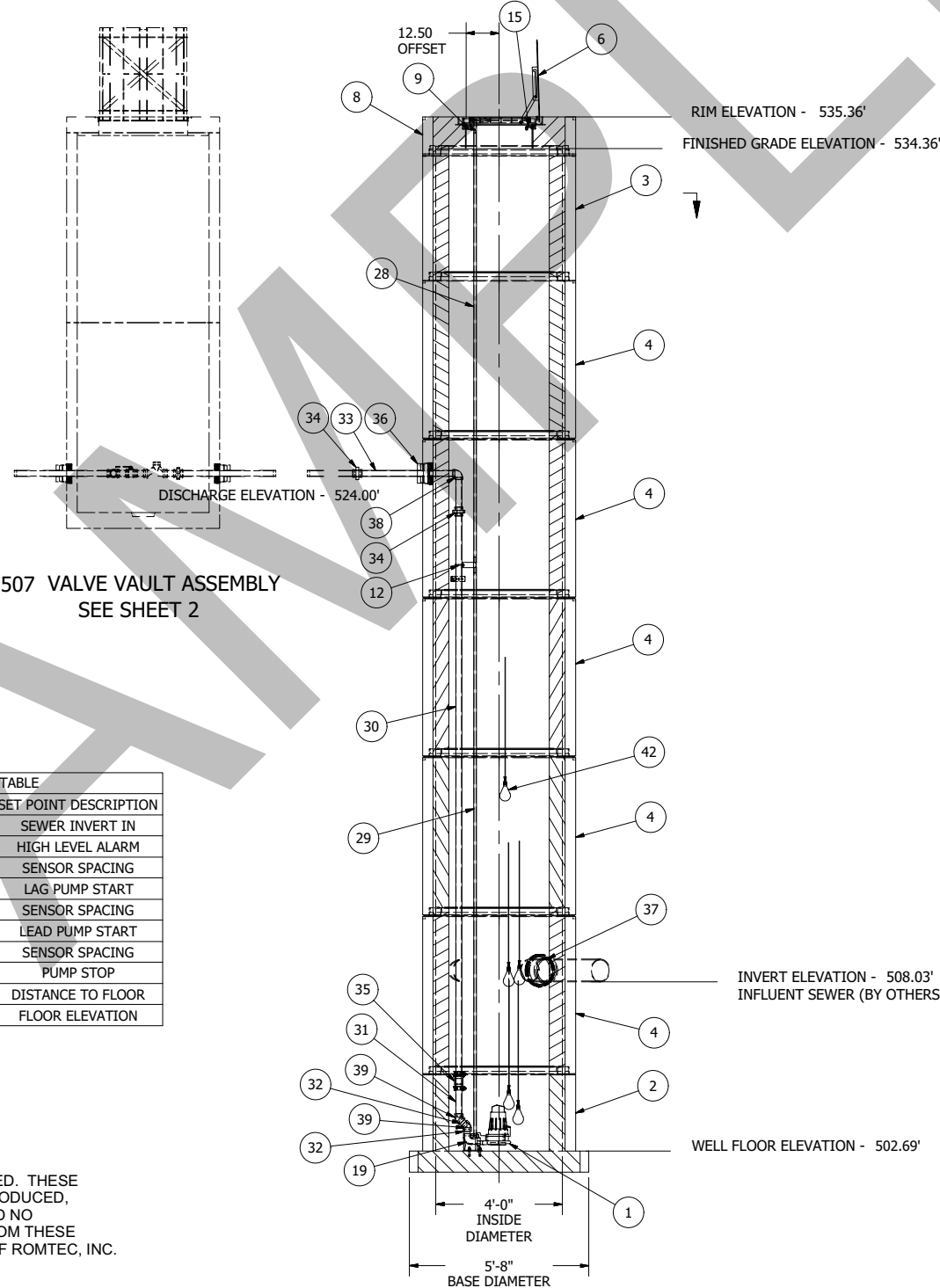
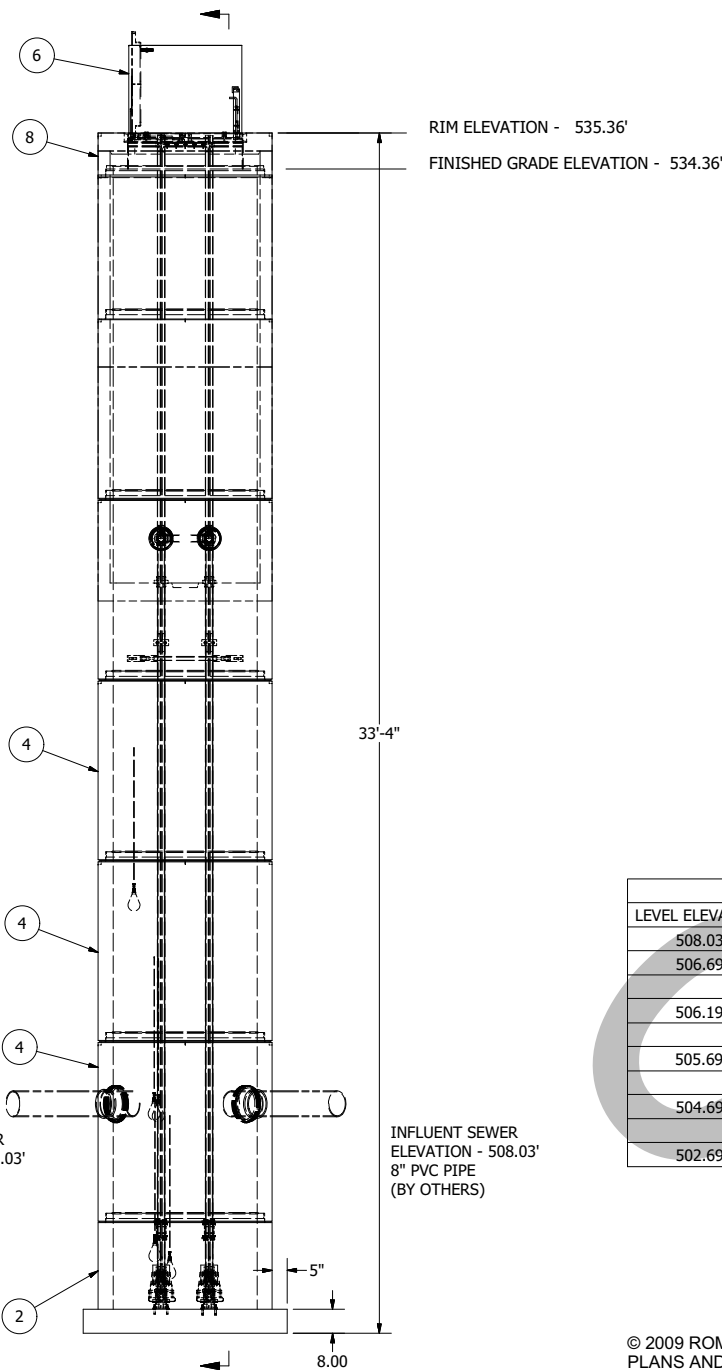
WET WELL LINING SYSTEM

PROVIDE WET WELL AND UNDERSIDE OF TOP SLAB WITH AMERON T-LOCK PVC SHEET LINING OR EQUIVALENT. **NOTE: AMERON T-LOCK LINING TO BE PRECAST INTO CONCRETE. THIS IS SUPPLIED BY ROMTEC UTILITIES. THE WELDING OF THE AMERON AT ALL PENETRATIONS AND SEAMS IS BY CONTRACTOR NOT ROMTEC UTILITIES.

507 VALVE VAULT ASSEMBLY
SEE SHEET 2



NOTE: WET WELL TOP SLAB IS PEDESTRIAN RATED



SENSOR AND ELEVATION TABLE		
LEVEL ELEVATION	DISTANCE BETWEEN POINTS	SET POINT DESCRIPTION
508.03		SEWER INVERT IN
506.69		HIGH LEVEL ALARM
506.19	0.50	SENSOR SPACING
506.19		LAG PUMP START
505.69	0.50	SENSOR SPACING
505.69		LEAD PUMP START
504.69	1.00	SENSOR SPACING
504.69		PUMP STOP
502.69	2.00	DISTANCE TO FLOOR
502.69		FLOOR ELEVATION

© 2009 ROMTEC INC. ALL RIGHTS RESERVED. THESE PLANS AND DRAWINGS MAY NOT BE REPRODUCED, ADAPTED, OR FURTHER DISTRIBUTED, AND NO COMPONENTS MAY BE CONSTRUCTED FROM THESE PLANS, WITHOUT WRITTEN PERMISSION OF ROMTEC, INC.

**4' DIAMETER WET WELL
2" DISCHARGE PIPING
MP3127 FLYGT PUMPS
2" 507 VALVE VAULT**

ALL MATERIALS SHOWN ON THIS SHEET WILL BE SUPPLIED BY ROMTEC UTILITIES AND DELIVERED TO THE SITE AFTER THE HOLE HAS BEEN EXCAVATED AND SHORED. THE CONTRACTOR SHALL SUPPLY A CRANE OF SUFFICIENT SIZE TO LOWER ALL THE CONCRETE PIECES INTO THE HOLE SAFELY. THE CONTRACTOR SHALL INSTALL THE WET WELL (AND VALVE VAULT AND METERING VAULT IF APPLICABLE). ROMTEC UTILITIES WILL PROVIDE A REPRESENTATIVE FOR TECHNICAL ASSISTANCE ON THE DAY OF INSTALLATION TO ANSWER ANY QUESTIONS THAT MAY ARISE. THE CONTRACTOR IS RESPONSIBLE FOR ALL PLUMBING AND ELECTRICAL CONNECTIONS AND INSTALLATION. ITEMS NOTED AS "BY OTHERS" WILL BE PROVIDED AND INSTALLED BY THE CONTRACTOR. ROMTEC UTILITIES WILL NOT INSTALL ANY OF THE COMPONENTS SHOWN ON THIS PAGE.

REV	DESCRIPTION	DATE	BY
3	SWITCHED PUMPS WITH SS1, REVISED FOR THE RECORD 11-11-11	AD	AD
2	CHANGES PER NEW DESIGN CRITERIA	12/22/08	AM
1	COMPONENT DRAWING	11/13/08	AM

VERIFY SCALE BAR IS ONE INCH ON ORIGINAL DRAWING
1"
IF NOT ONE INCH ON THIS SHEET, ADJUST SCALE ACCORDINGLY

DATE - 11/13/08

COMPONENT DRAWING

ROMTEC UTILITIES
18240 NORTH BANK ROAD
ROSEBURG, OREGON 97470
(541) 496-9678
FAX (541) 496-0804

VTN NEVADA
JEFF HERRICK

LAUGHLIN HERITAGE TRAIL - SS2

4" WET WELL

SHEET
1 OF 2

JOB NUMBER
RMTC 0000