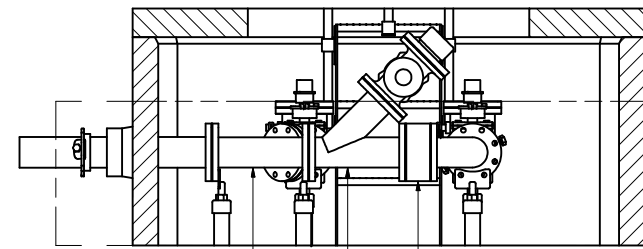
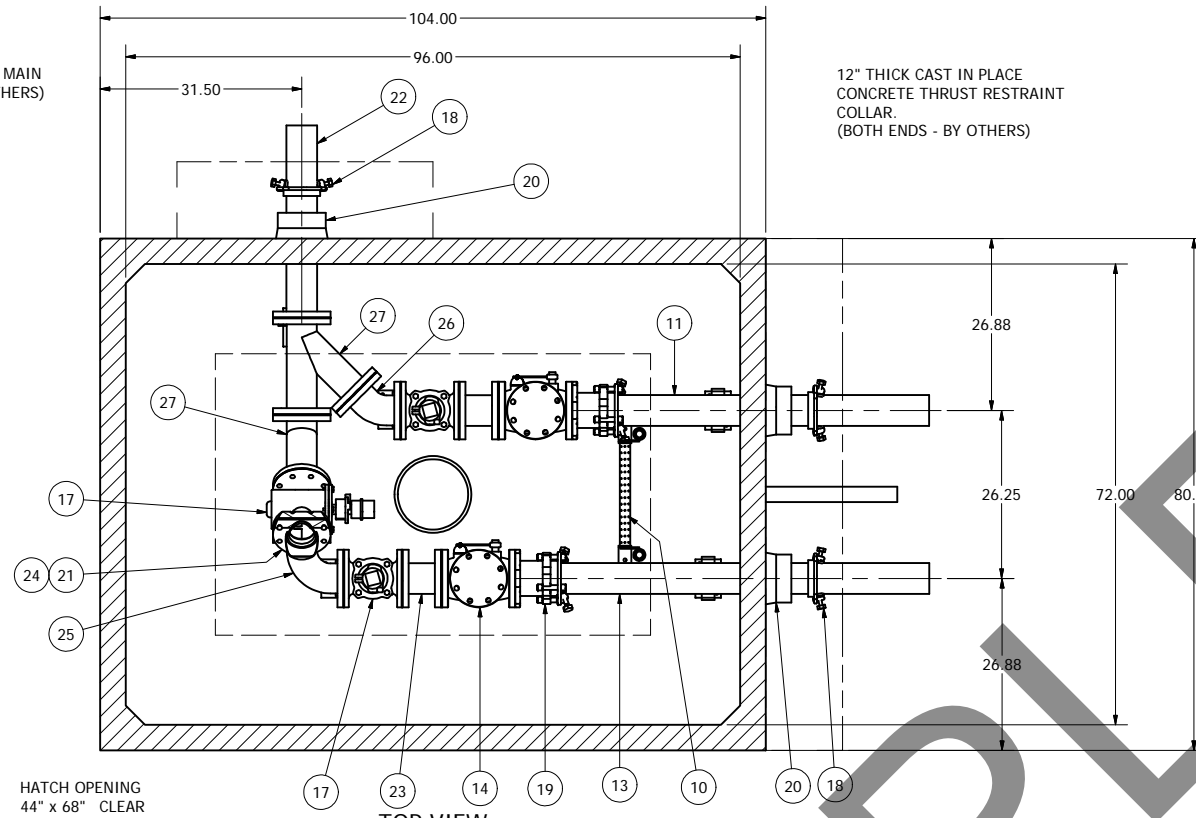


ISO VIEW  
SCALE 1/20



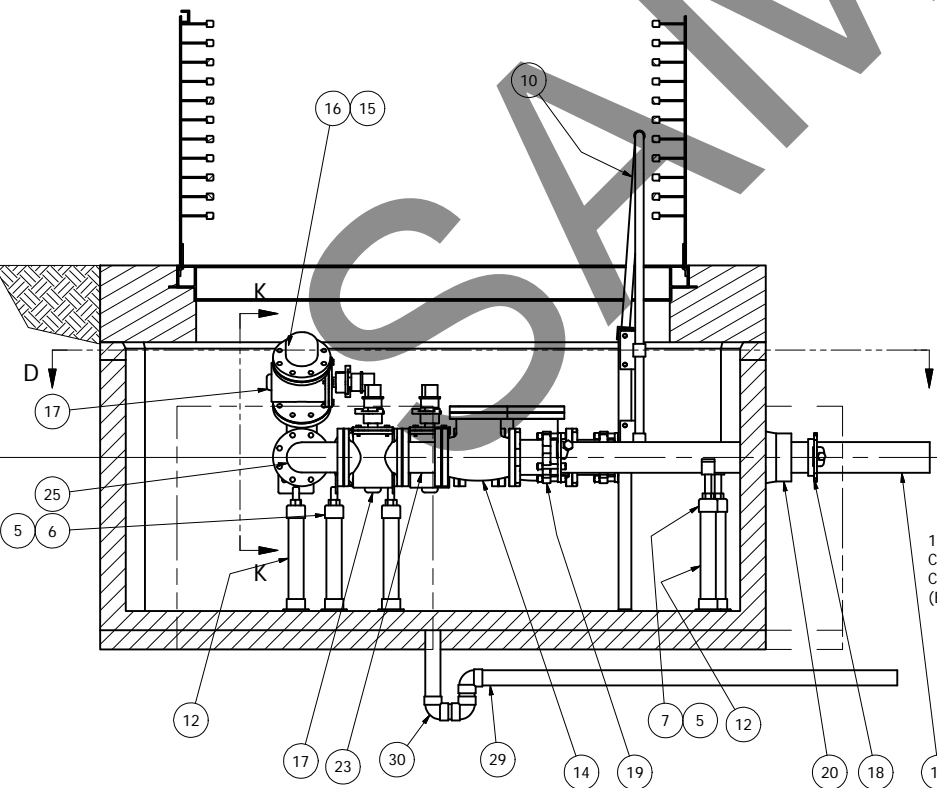
SECTION K-K  
SCALE 1/15

HATCH OPENING  
44" x 68" CLEAR

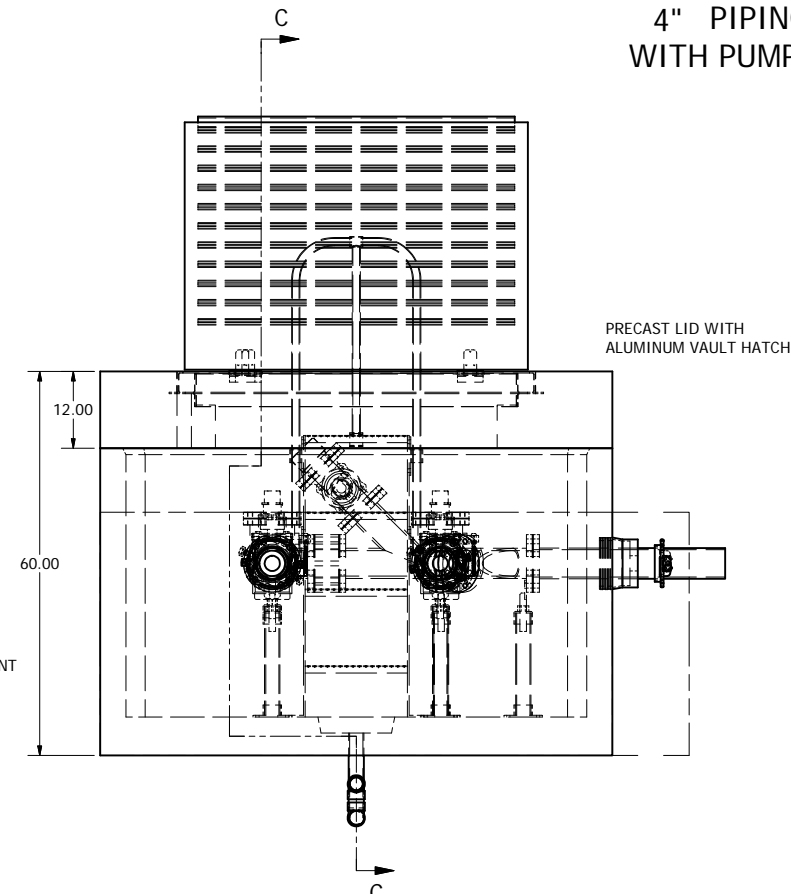


TOP VIEW  
SECTION D-D  
SCALE 1/15

NOTE: VAULT TOP SLAB IS H-20 OCCASIONAL RATED



PROFILE VIEW  
SECTION C-C  
SCALE 1/15



SIDE VIEW  
SCALE 1/15

687 VALVE VAULT  
4" PIPING AND VALVES  
WITH PUMPING PORT

PRECAST LID WITH  
ALUMINUM VAULT HATCH

ALL MATERIALS SHOWN ON THIS SHEET WILL BE SUPPLIED BY ROMTEC UTILITIES AND DELIVERED TO THE SITE AFTER THE HOLE HAS BEEN EXCAVATED AND SHORED. THE CONTRACTOR SHALL SUPPLY A CRANE OF SUFFICIENT SIZE TO LOWER ALL THE CONCRETE PIECES INTO THE HOLE SAFELY. THE CONTRACTOR SHALL INSTALL THE WET WELL (AND VALVE VAULT AND METERING VAULT IF APPLICABLE). ROMTEC UTILITIES WILL PROVIDE A REPRESENTATIVE FOR TECHNICAL ASSISTANCE ON THE DAY OF INSTALLATION TO ANSWER ANY QUESTIONS THAT MAY ARISE. THE CONTRACTOR IS RESPONSIBLE FOR ALL PLUMBING AND ELECTRICAL CONNECTIONS AND INSTALLATION. ITEMS NOTED AS "BY OTHERS" WILL BE PROVIDED AND INSTALLED BY THE CONTRACTOR. ROMTEC UTILITIES WILL NOT INSTALL ANY OF THE COMPONENTS SHOWN ON THIS PAGE.

© 2016 ROMTEC INC. ALL RIGHTS RESERVED. THESE PLANS AND DRAWINGS MAY NOT BE REPRODUCED, ADAPTED, OR FURTHER DISTRIBUTED, AND NO COMPONENTS MAY BE CONSTRUCTED FROM THESE PLANS, WITHOUT WRITTEN PERMISSION OF ROMTEC, INC.

NOTE: ALL DIMENSIONS AND ELEVATIONS SHOWN ARE NOMINAL DIMENSIONS. IT IS THE RESPONSIBILITY OF THE ON-SITE CONTRACTOR OR ROMTEC UTILITIES CUSTOMER (NOT ROMTEC UTILITIES) TO VERIFY THE ACCURACY OF ANY CRITICAL DIMENSIONS OR ELEVATIONS PRIOR TO SETTING OR INSTALLING ANY EQUIPMENT.

VERIFY SCALE  
BAR IS ONE INCH ON  
ORIGINAL DRAWING  
1"  
IF NOT ONE INCH ON  
THIS SHEET, ADJUST  
SCALE PROPORTIONALLY  
0

REV	DESCRIPTION	DATE	APPROV
2	REVISED PER COMMENTS - LARGER VAULT & WYE FITTINGS	8-11-16	AD
1	UPDATED FOR PRODUCTION LAUNCH	8-4-16	AD
0	INITIAL DESIGN	5-3-16	KB
0			

COMPONENT  
DRAWING

**ROMTEC UTILITIES**  
18240 NORTH BANK ROAD  
ROSEBURG, OREGON 97470  
(541) 496-9678  
FAX (541) 496-0804

MCCORMICK WOODS  
VALVE VAULT ASSEMBLY

SHEET  
2 OF 2

JOB NUMBER  
RMTC  
0000