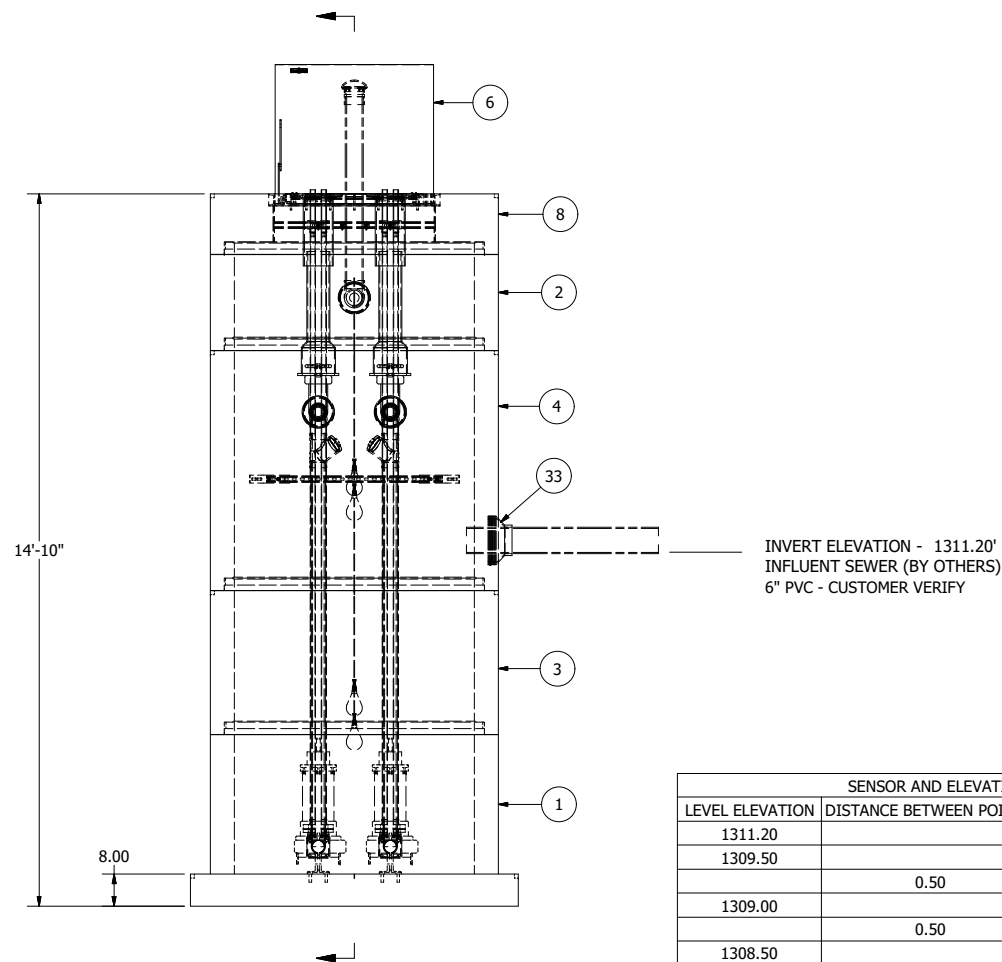
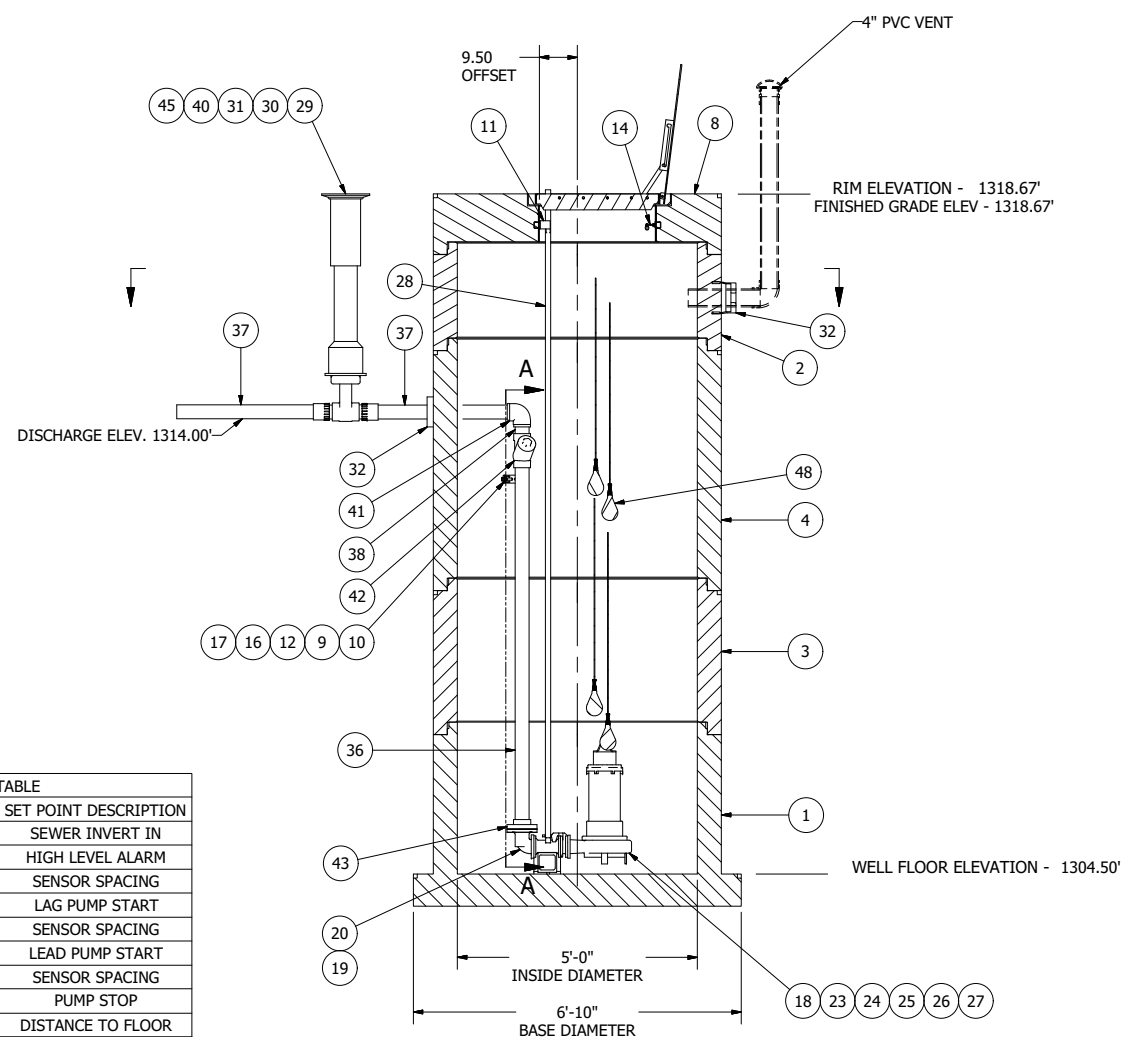


INFLUENT SEWER (BY OTHERS)
 INVERT ELEVATION - 1311.20'
 6" PVC - CUSTOMER VERIFY

NOTE: WET WELL TOP SLAB IS AIRCRAFT RATED



SENSOR AND ELEVATION TABLE		
LEVEL ELEVATION	DISTANCE BETWEEN POINTS	SET POINT DESCRIPTION
1311.20		SEWER INVERT IN
1309.50		HIGH LEVEL ALARM
1309.00	0.50	SENSOR SPACING
1308.50	0.50	LAG PUMP START
1308.50	2.00	LEAD PUMP START
1306.50	2.00	SENSOR SPACING
1304.50	2.00	PUMP STOP
1304.50		DISTANCE TO FLOOR
		FLOOR ELEVATION



NOTE: ALL DIMENSIONS AND ELEVATIONS SHOWN ARE NOMINAL DIMENSIONS. IT IS THE RESPONSIBILITY OF THE ON-SITE CONTRACTOR OR ROMTEC UTILITIES CUSTOMER (NOT ROMTEC UTILITIES) TO VERIFY THE ACCURACY OF ANY CRITICAL DIMENSIONS OR ELEVATIONS PRIOR TO SETTING OR INSTALLING ANY EQUIPMENT.

**5' DIAMETER WET WELL
 3" DISCHARGE PIPING
 EBARA PUMPS
 EXTERNAL SHUTOFF**

ALL MATERIALS SHOWN ON THIS SHEET WILL BE SUPPLIED BY ROMTEC UTILITIES AND DELIVERED TO THE SITE AFTER THE HOLE HAS BEEN EXCAVATED AND SHORED. THE CONTRACTOR SHALL SUPPLY A CRANE OF SUFFICIENT SIZE TO LOWER ALL THE CONCRETE PIECES INTO THE HOLE SAFELY. THE CONTRACTOR SHALL INSTALL THE WET WELL (AND VALVE VAULT AND METERING VAULT IF APPLICABLE). ROMTEC UTILITIES WILL PROVIDE A REPRESENTATIVE FOR TECHNICAL ASSISTANCE ON THE DAY OF INSTALLATION TO ANSWER ANY QUESTIONS THAT MAY ARISE. THE CONTRACTOR IS RESPONSIBLE FOR ALL PLUMBING AND ELECTRICAL CONNECTIONS AND INSTALLATION. ITEMS NOTED AS "BY OTHERS" WILL BE PROVIDED AND INSTALLED BY THE CONTRACTOR. ROMTEC UTILITIES WILL NOT INSTALL ANY OF THE COMPONENTS SHOWN ON THIS PAGE.

© 2010 ROMTEC INC. ALL RIGHTS RESERVED. THESE PLANS AND DRAWINGS MAY NOT BE REPRODUCED, ADAPTED, OR FURTHER DISTRIBUTED, AND NO COMPONENTS MAY BE CONSTRUCTED FROM THESE PLANS, WITHOUT WRITTEN PERMISSION OF ROMTEC, INC.

VERIFY SCALE
 BAR IS ONE INCH ON ORIGINAL DRAWING
 1"
 IF NOT ONE INCH ON THIS SHEET, ADJUST SIZES PROPORTIONALLY
 0

COMPONENT DRAWING

ROMTEC UTILITIES
 18240 NORTH BANK ROAD
 ROSEBURG, OREGON 97470
 (541) 496-9678
 FAX (541) 496-0804

M+H US, INC.
 TATYANA SIVAK
MICROSOFT COLUMBIA #2
3" - 5' DIA WET WELL

SHEET
1 OF 1
 JOB NUMBER
RMTC 0000

REV	DESCRIPTION	DATE	APPROV
3	CHANGES PER PRODUCTION LAUNCH	07/08/10	AD
2	APPROVED FOR PRODUCTION PER COMMENTS	07/06/10	AM
1	REDESIGN FOR NEW DUTY POINT	06/11/10	AM