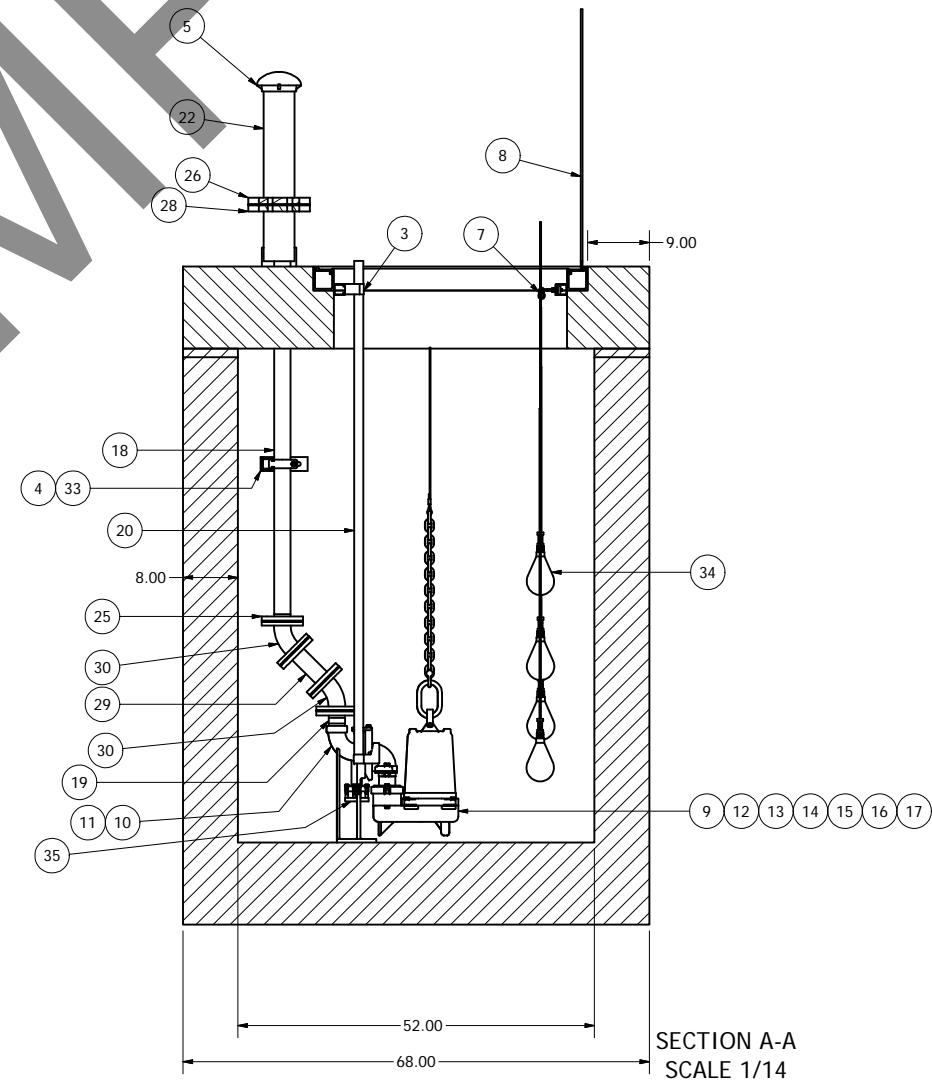
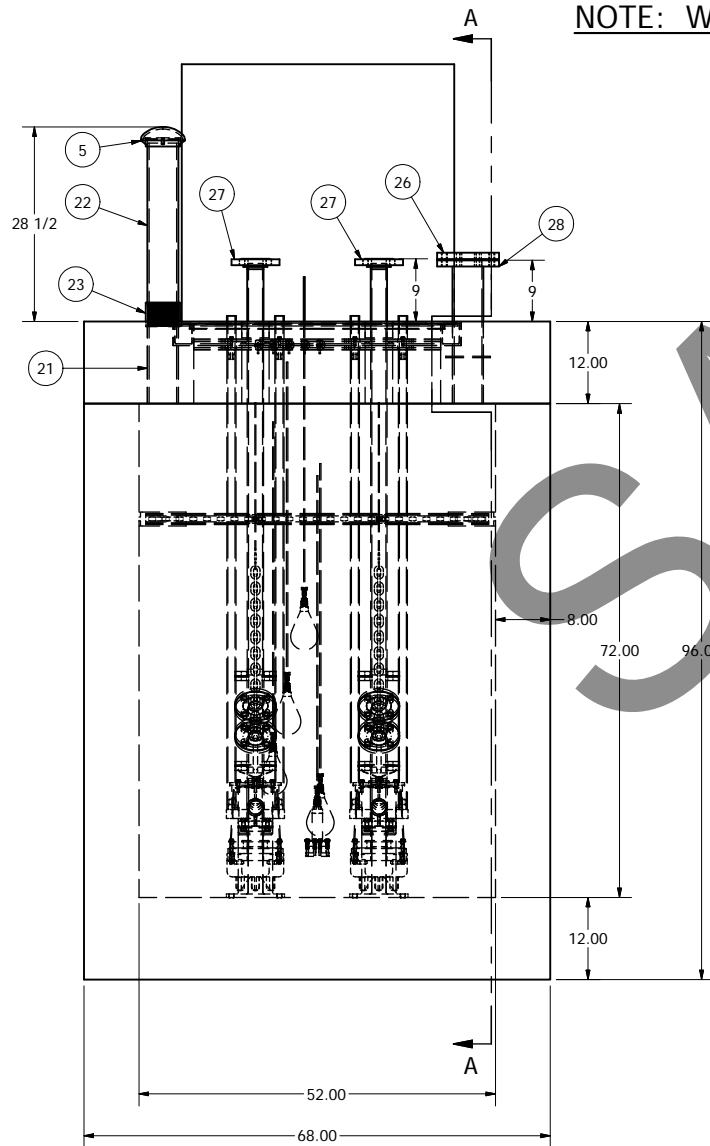


HATCH TROUGH DRAIN, PLUMBED OUT THE SIDE OF THE TOP SLAB. 1-1/2in PIPE.

30in X 30in CLEAR HATCH OPENING

NOTE: WET WELL TOP SLAB IS PEDESTRIAN RATED



SECTION A-A  
SCALE 1/14

ALL MATERIALS SHOWN ON THIS SHEET WILL BE SUPPLIED BY ROMTEC UTILITIES AND DELIVERED TO THE SITE AFTER THE HOLE HAS BEEN EXCAVATED AND SHORED. THE CONTRACTOR SHALL SUPPLY A CRANE OF SUFFICIENT SIZE TO LOWER ALL THE CONCRETE PIECES INTO THE HOLE SAFELY. THE CONTRACTOR SHALL INSTALL THE WET WELL (AND VALVE VAULT AND METERING VAULT IF APPLICABLE). ROMTEC UTILITIES WILL PROVIDE A REPRESENTATIVE FOR TECHNICAL ASSISTANCE ON THE DAY OF INSTALLATION TO ANSWER ANY QUESTIONS THAT MAY ARISE. THE CONTRACTOR IS RESPONSIBLE FOR ALL PLUMBING AND ELECTRICAL CONNECTIONS AND INSTALLATION. ITEMS NOTED AS "BY OTHERS" WILL BE PROVIDED AND INSTALLED BY THE CONTRACTOR. ROMTEC UTILITIES WILL NOT INSTALL ANY OF THE COMPONENTS SHOWN ON THIS PAGE.

© 2016 ROMTEC INC. ALL RIGHTS RESERVED. THESE PLANS AND DRAWINGS MAY NOT BE REPRODUCED, ADAPTED, OR FURTHER DISTRIBUTED, AND NO COMPONENTS MAY BE CONSTRUCTED FROM THESE PLANS, WITHOUT WRITTEN PERMISSION OF ROMTEC, INC.

NOTE: ALL DIMENSIONS AND ELEVATIONS SHOWN ARE NOMINAL DIMENSIONS. IT IS THE RESPONSIBILITY OF THE ON-SITE CONTRACTOR OR ROMTEC UTILITIES CUSTOMER (NOT ROMTEC UTILITIES) TO VERIFY THE ACCURACY OF ANY CRITICAL DIMENSIONS OR ELEVATIONS PRIOR TO SETTING OR INSTALLING ANY EQUIPMENT.

<p>VERIFY SCALE BAR IS ONE INCH ON ORIGINAL DRAWING 0 1" IF NOT ONE INCH ON SCALES ACCORDINGLY</p>	
<p>DSN - AD DRN - AD CKD - AD</p>	<p>REVISION HISTORY DATE - 6-21-16</p>
<p><b>COMPONENT DRAWING</b></p>	
<p><b>ROMTEC UTILITIES</b> 18240 NORTH BANK ROAD ROSEBURG, OREGON 97470 (541) 496-9678 FAX (541) 496-0804</p>	
<p>GEMMA POWER MIDDLETOWN, OHIO</p> <p><b>WATER TREATMENT</b></p> <p><b>4.3ft X 4.3ft X 6ft - WET WELL</b></p>	
<p>SHEET <b>1 OF 1</b></p>	
<p>JOB NUMBER <b>RMTC</b></p>	