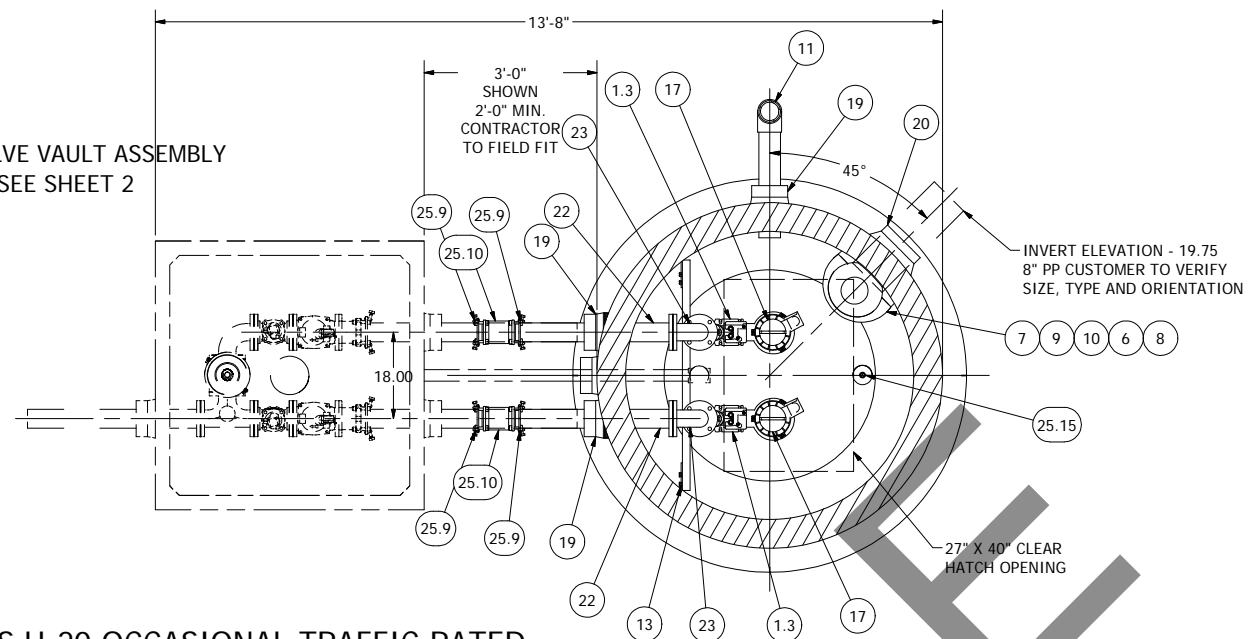
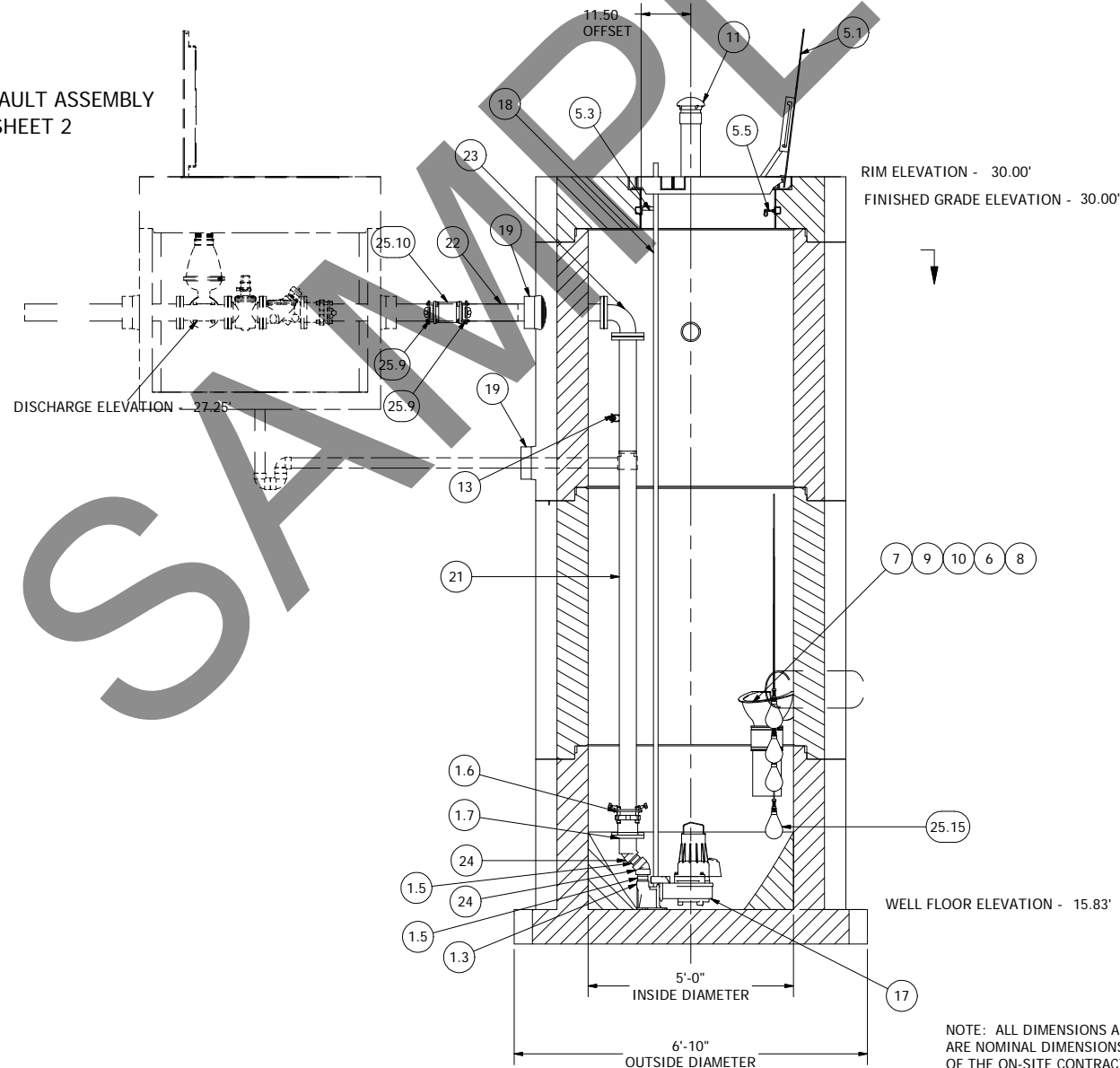


504 VALVE VAULT ASSEMBLY
SEE SHEET 2



NOTE: WET WELL TOP SLAB IS H-20 OCCASIONAL TRAFFIC RATED

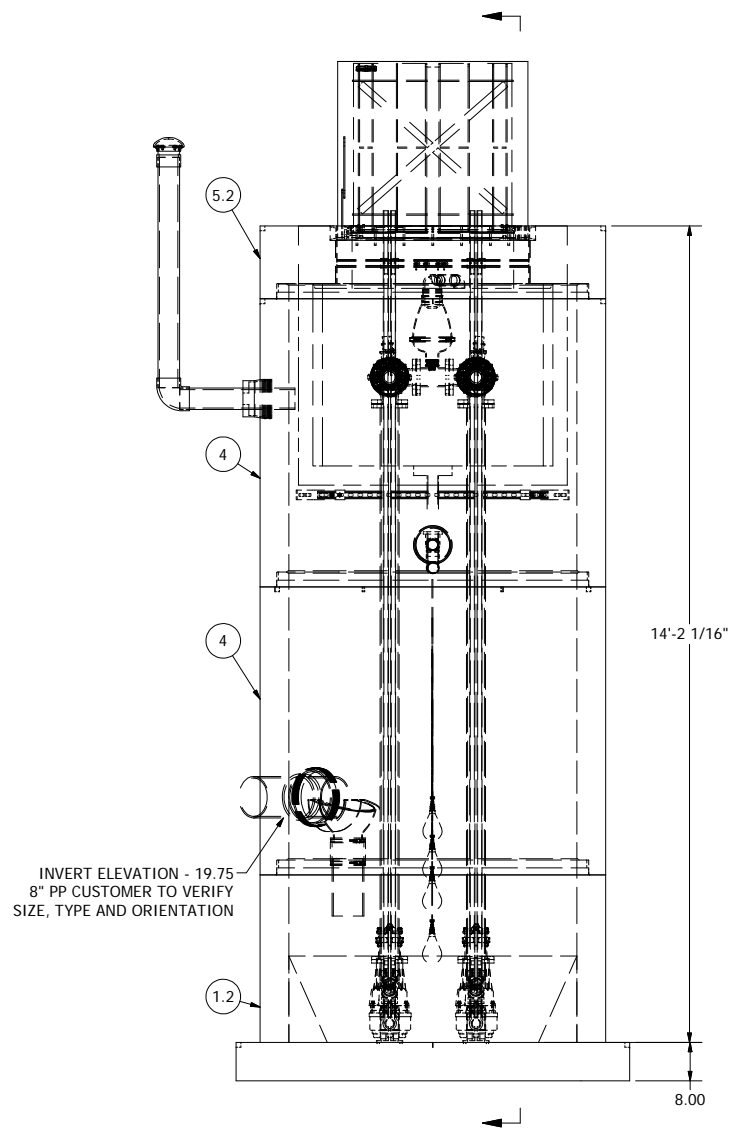
504 VALVE VAULT ASSEMBLY
SEE SHEET 2



5' DIAMETER WET WELL
3" DISCHARGE PIPING
CP3068 FLYGT PUMPS
504 VALVE VAULT

ALL MATERIALS SHOWN ON THIS SHEET WILL BE SUPPLIED BY ROMTEC UTILITIES AND DELIVERED TO THE SITE AFTER THE HOLE HAS BEEN EXCAVATED AND SHORED. THE CONTRACTOR SHALL SUPPLY A CRANE OF SUFFICIENT SIZE TO LOWER ALL THE CONCRETE PIECES INTO THE HOLE SAFELY. THE CONTRACTOR SHALL INSTALL THE WET WELL (AND VALVE VAULT AND METERING VAULT IF APPLICABLE). ROMTEC UTILITIES WILL PROVIDE A REPRESENTATIVE FOR TECHNICAL ASSISTANCE ON THE DAY OF INSTALLATION TO ANSWER ANY QUESTIONS THAT MAY ARISE. THE CONTRACTOR IS RESPONSIBLE FOR ALL PLUMBING AND ELECTRICAL CONNECTIONS AND INSTALLATION. ITEMS NOTED AS "BY OTHERS" WILL BE PROVIDED AND INSTALLED BY THE CONTRACTOR. ROMTEC UTILITIES WILL NOT INSTALL ANY OF THE COMPONENTS SHOWN ON THIS PAGE.

NOTE: ALL DIMENSIONS AND ELEVATIONS SHOWN ARE NOMINAL DIMENSIONS. IT IS THE RESPONSIBILITY OF THE ON-SITE CONTRACTOR OR ROMTEC UTILITIES CUSTOMER (NOT ROMTEC UTILITIES) TO VERIFY THE ACCURACY OF ANY CRITICAL DIMENSIONS OR ELEVATIONS PRIOR TO SETTING OR INSTALLING ANY EQUIPMENT.



© 2013 ROMTEC INC. ALL RIGHTS RESERVED. THESE PLANS AND DRAWINGS MAY NOT BE REPRODUCED, ADAPTED, OR FURTHER DISTRIBUTED, AND NO COMPONENTS MAY BE CONSTRUCTED FROM THESE PLANS, WITHOUT WRITTEN PERMISSION OF ROMTEC, INC.

VERIFY SCALE
BAR IS ONE INCH ON
ORIGINAL DRAWING

1"

0

IF NOT ONE INCH ON
THIS SHEET, ADJUST
SCALE PROPORTIONALLY

DSN - AD
DRN - AD
CKD - AD

DATE - 5-6-14

COMPONENT
DRAWING

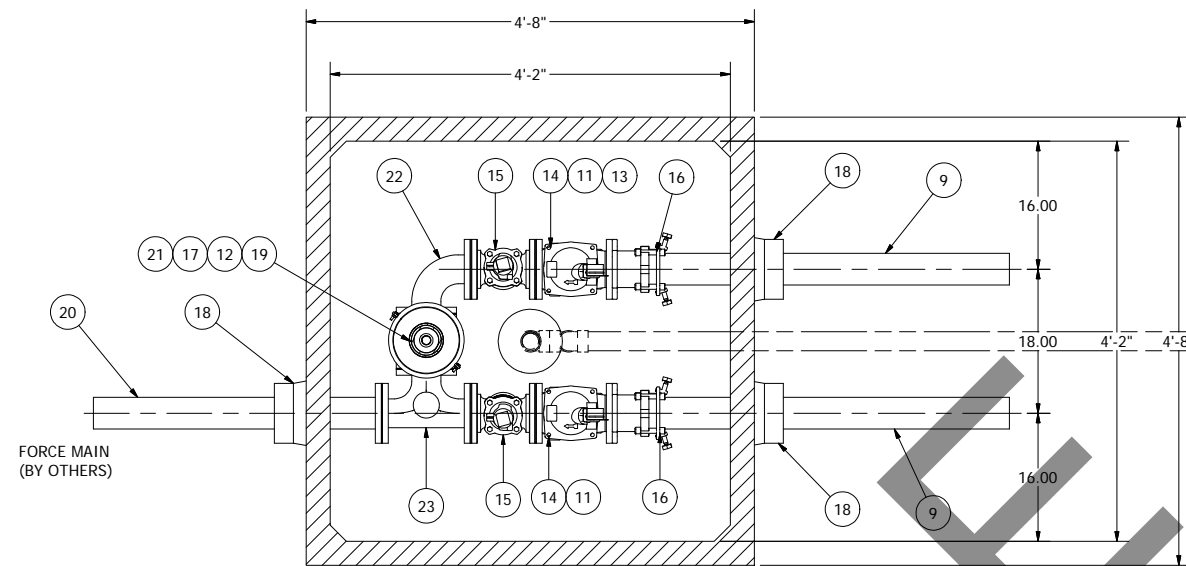
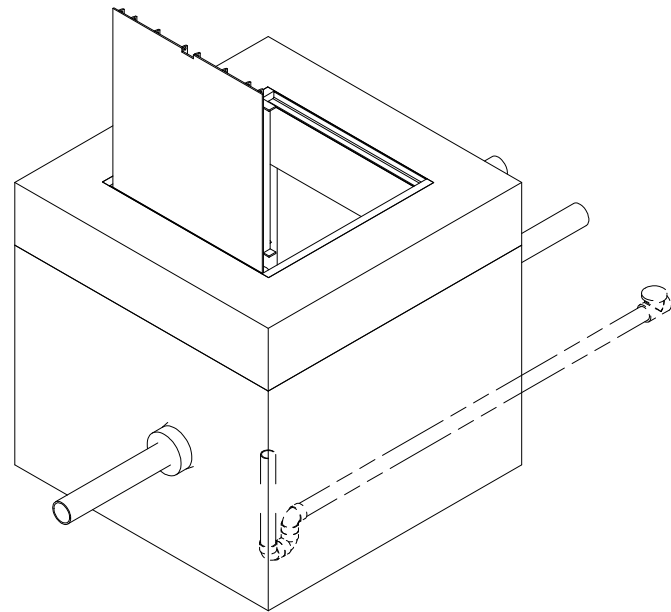
ROMTEC UTILITIES
18240 NORTH BANK ROAD
ROSEBURG, OREGON 97470
(541) 496-9678
FAX (541) 496-0804

MISSION BLVD
5ft WET WELL - 3in DISCHARGE

SHEET
1 OF 1

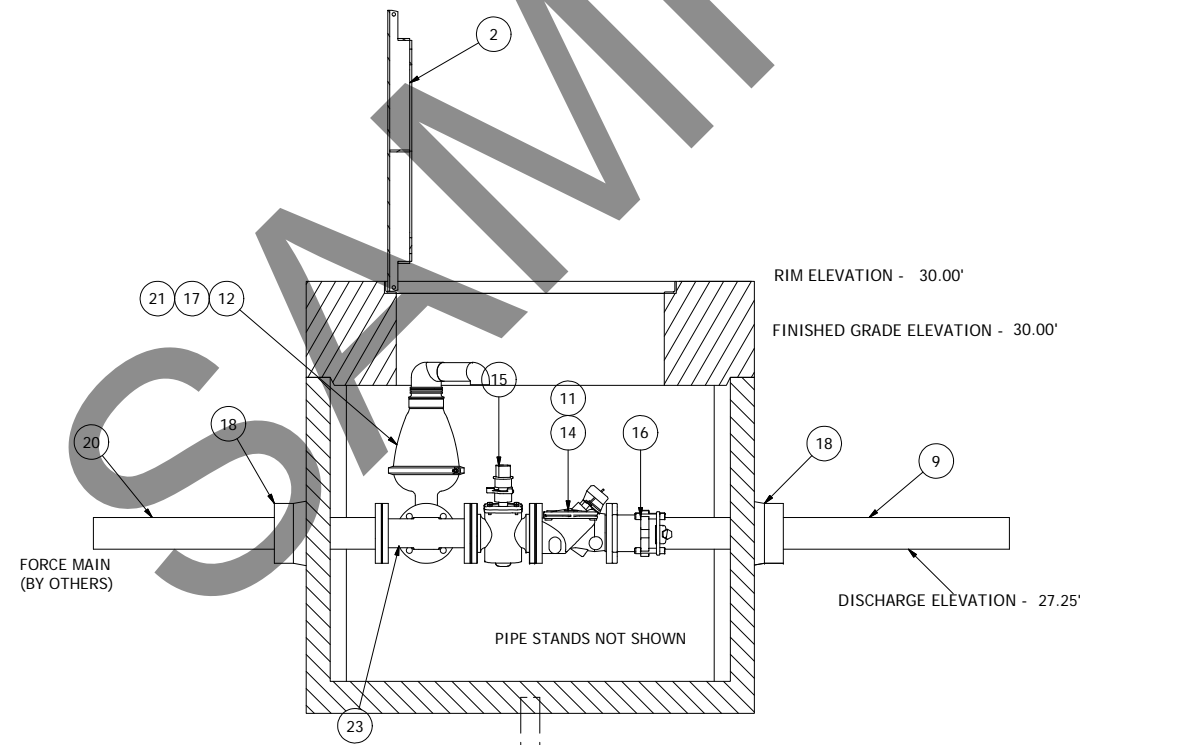
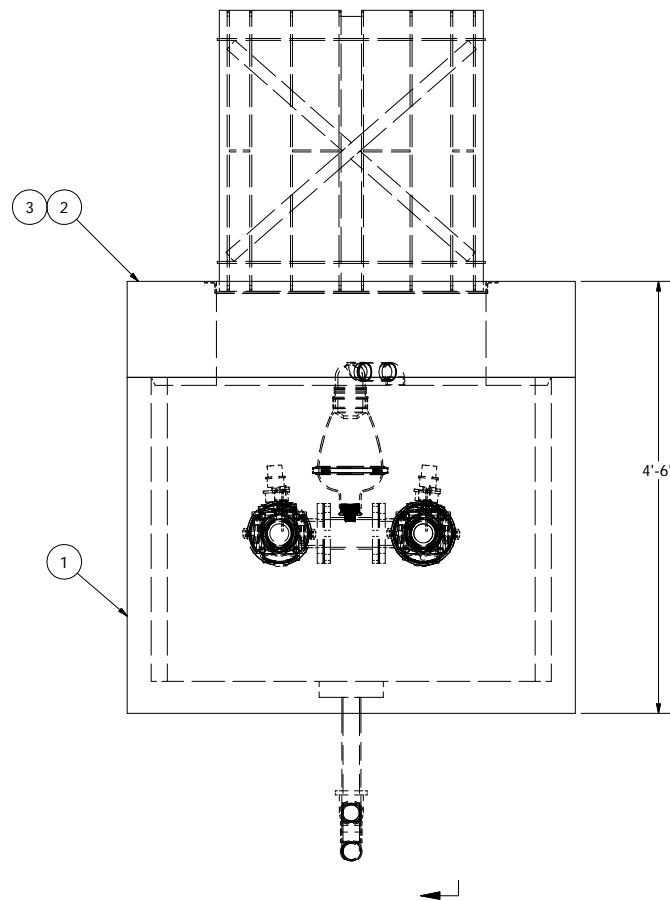
JOB NUMBER
RMTC
0000

REV	DESCRIPTION	DATE	APPROV
4	MINOR REVISIONS FOR PRODUCTION LAUNCH	3-5-15	AD
3	ADDED DIMENSIONS TO LAYOUT	2-16-15	AD
2	UPDATED PIPING TO EROXY COATED	1-20-15	AD
1	FINISH DWG FOR SSDS	10/17/14	NINA



NOTE: VAULT TOP SLAB IS H-20 OCCASIONAL RATED

504 VALVE VAULT
3" PIPING AND VALVES



DRAIN BACK TO WET WELL:
3" PLAIN HOLE IN VAULT
(PROVIDED)
2" PEE TRAP ON VAULT END
WITH CHECK VALVE AT END OF
PIPE IN WET WELL.
(BY OTHERS) NOT ROMTEC UTILITIES

© 2013 ROMTEC INC. ALL RIGHTS RESERVED. THESE PLANS AND DRAWINGS MAY NOT BE REPRODUCED, ADAPTED, OR FURTHER DISTRIBUTED, AND NO COMPONENTS MAY BE CONSTRUCTED FROM THESE PLANS, WITHOUT WRITTEN PERMISSION OF ROMTEC, INC.

NOTE: ALL DIMENSIONS AND ELEVATIONS SHOWN ARE NOMINAL DIMENSIONS. IT IS THE RESPONSIBILITY OF THE ON-SITE CONTRACTOR OR ROMTEC UTILITIES CUSTOMER (NOT ROMTEC UTILITIES) TO VERIFY THE ACCURACY OF ANY CRITICAL DIMENSIONS OR ELEVATIONS PRIOR TO SETTING OR INSTALLING ANY EQUIPMENT.

VERIFY SCALE
BAR IS ONE INCH ON ORIGINAL DRAWING
1"
IF NOT ONE INCH ON THIS SHEET ADJUST SCALES PROPORTIONALLY
0
DSN - AD
DRN - AD
CKD - AD
DATE - 5-6-14

3 MINOR REVISIONS FOR PRODUCTION LAUNCH 3-5-15 AD
2 ADDED ARV 1-20-15 AD
1 FINISHED FOR SSDS 10/17/14 NNA
REV DESCRIPTION DATE APPROV

COMPONENT DRAWING
ROMTEC UTILITIES
18240 NORTH BANK ROAD
ROSEBURG, OREGON 97470
(541) 496-9678
FAX (541) 496-0804

MISSION BLVD
3in VALVE VAULT

SHEET
1 OF 1

JOB NUMBER
RMTC
0000