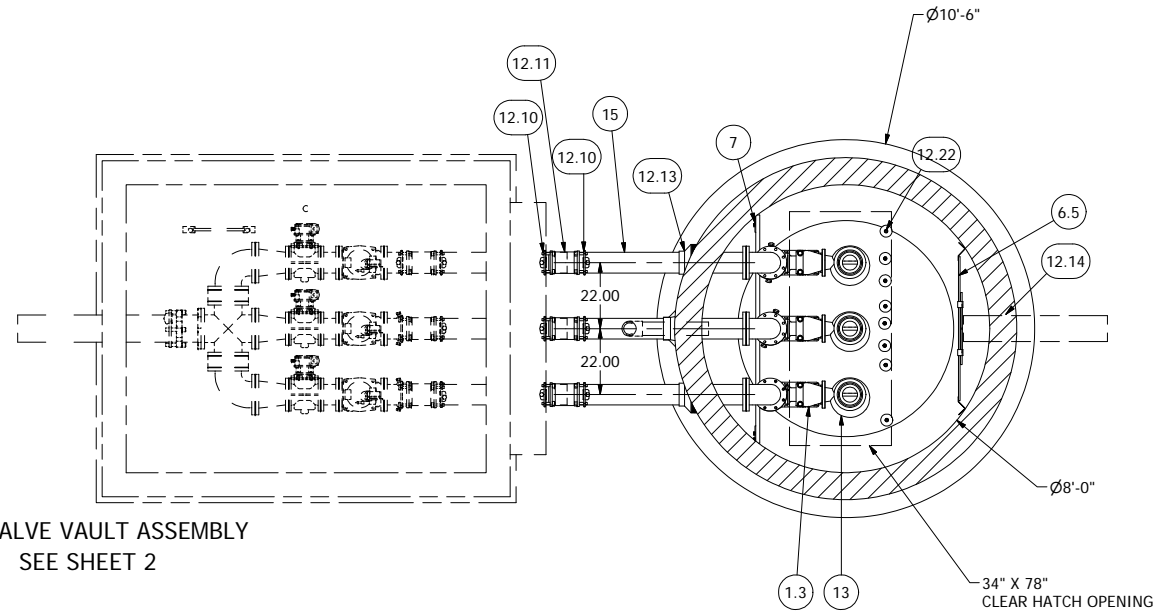
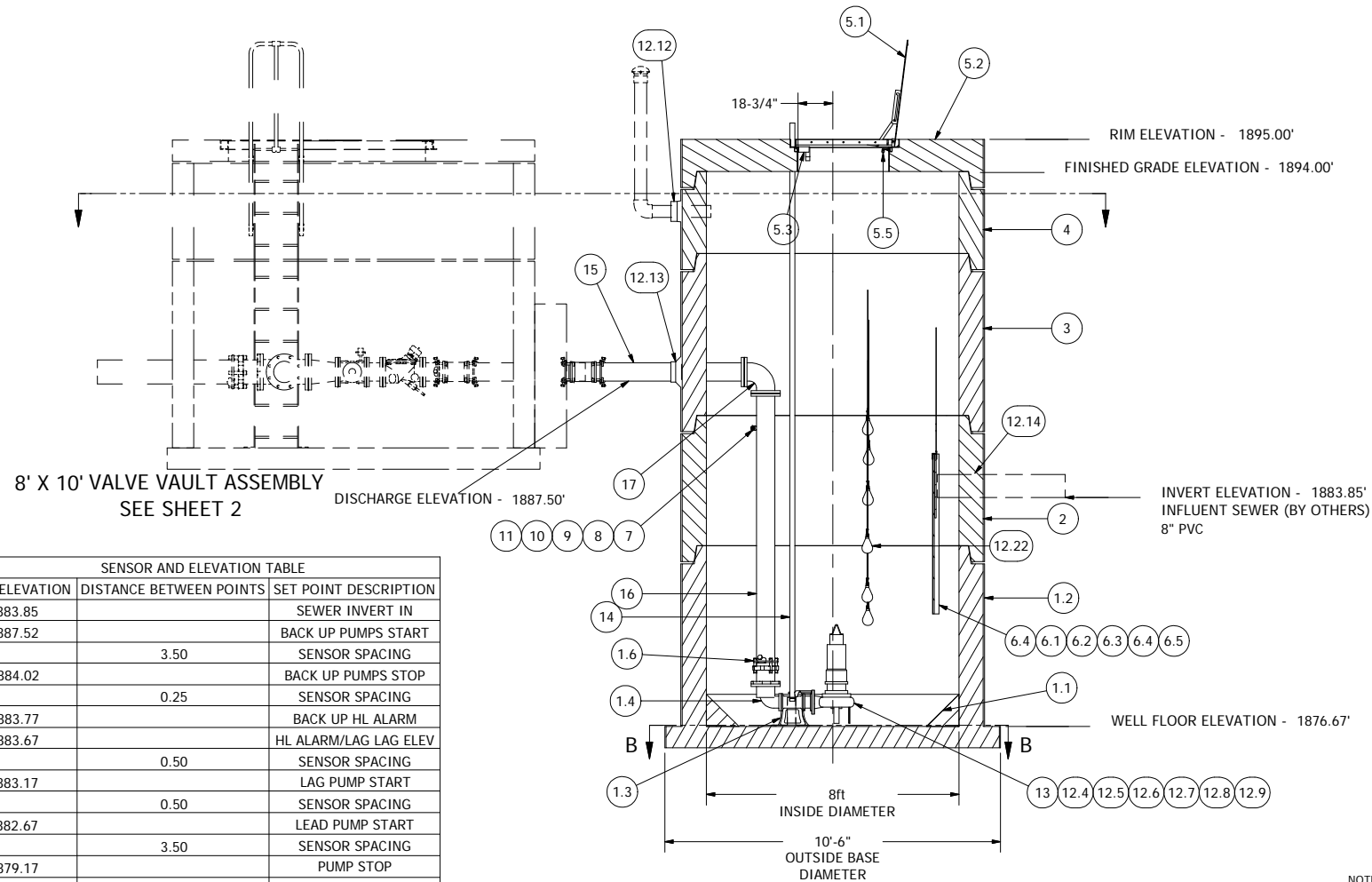
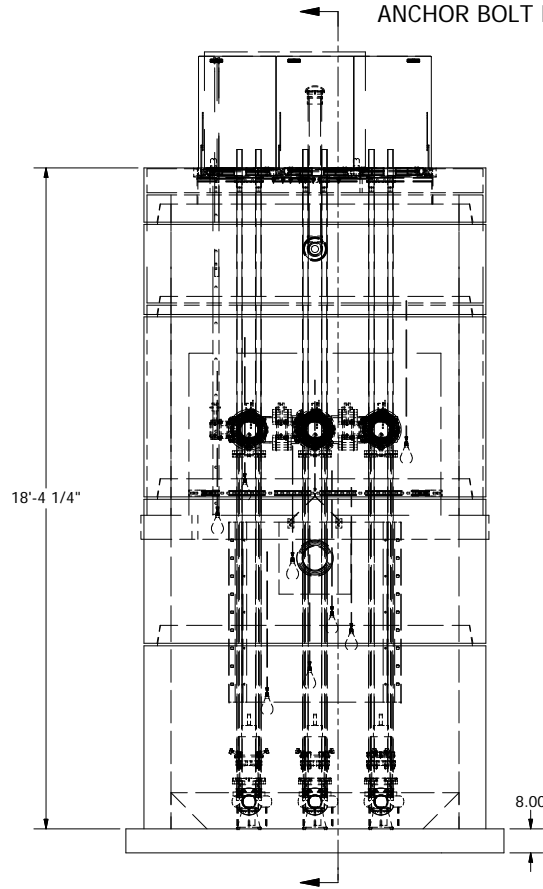


SECTION B-B
ANCHOR BOLT LAYOUT



8' X 10' VALVE VAULT ASSEMBLY
SEE SHEET 2

NOTE: WET WELL TOP SLAB IS PEDESTRIAN RATED



SENSOR AND ELEVATION TABLE		
LEVEL ELEVATION	DISTANCE BETWEEN POINTS	SET POINT DESCRIPTION
1883.85		SEWER INVERT IN
1887.52		BACK UP PUMPS START
1884.02	3.50	SENSOR SPACING
		BACK UP PUMPS STOP
1883.77	0.25	SENSOR SPACING
		BACK UP HL ALARM
1883.67	0.50	HL ALARM/LAG LAG ELEV
		SENSOR SPACING
1883.17	0.50	LAG PUMP START
		SENSOR SPACING
1882.67	0.50	LEAD PUMP START
		SENSOR SPACING
1879.17	3.50	PUMP STOP
		DISTANCE TO FLOOR
1876.67	2.50	FLOOR ELEVATION

**8' DIAMETER WET WELL
6" DISCHARGE PIPING
EBARA PUMPS
6" - 8' X 10' VAULT**

ALL MATERIALS SHOWN ON THIS SHEET WILL BE SUPPLIED BY ROMTEC UTILITIES AND DELIVERED TO THE SITE AFTER THE HOLE HAS BEEN EXCAVATED AND SHORED. THE CONTRACTOR SHALL SUPPLY A CRANE OF SUFFICIENT SIZE TO LOWER ALL THE CONCRETE PIECES INTO THE HOLE SAFELY. THE CONTRACTOR SHALL INSTALL THE WET WELL (AND VALVE VAULT AND METERING VAULT IF APPLICABLE). ROMTEC UTILITIES WILL PROVIDE A REPRESENTATIVE FOR TECHNICAL ASSISTANCE ON THE DAY OF INSTALLATION TO ANSWER ANY QUESTIONS THAT MAY ARISE. THE CONTRACTOR IS RESPONSIBLE FOR ALL PLUMBING AND ELECTRICAL CONNECTIONS AND INSTALLATION. ITEMS NOTED AS "BY OTHERS" WILL BE PROVIDED AND INSTALLED BY THE CONTRACTOR. ROMTEC UTILITIES WILL NOT INSTALL ANY OF THE COMPONENTS SHOWN ON THIS PAGE.

© 2011 ROMTEC INC. ALL RIGHTS RESERVED. THESE PLANS AND DRAWINGS MAY NOT BE REPRODUCED, ADAPTED, OR FURTHER DISTRIBUTED, AND NO COMPONENTS MAY BE CONSTRUCTED FROM THESE PLANS, WITHOUT WRITTEN PERMISSION OF ROMTEC, INC.

NOTE: ALL DIMENSIONS AND ELEVATIONS SHOWN ARE NOMINAL DIMENSIONS. IT IS THE RESPONSIBILITY OF THE ON-SITE CONTRACTOR OR ROMTEC UTILITIES CUSTOMER (NOT ROMTEC UTILITIES) TO VERIFY THE ACCURACY OF ANY CRITICAL DIMENSIONS OR ELEVATIONS PRIOR TO SETTING OR INSTALLING ANY EQUIPMENT.

VERIFY SCALE
BAR IS ONE INCH ON ORIGINAL DRAWING
1"
0 IF NOT ONE INCH ON THIS SHEET ADJUST SCALES PROPORTIONALLY

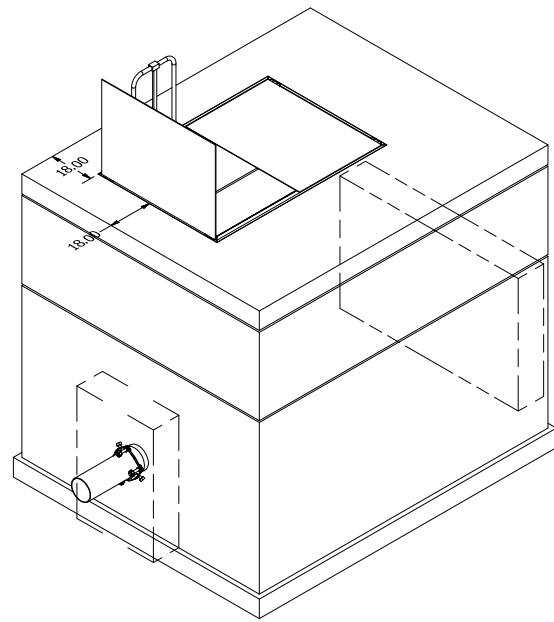
REV	DESCRIPTION	DATE	APPROV
4	Revised elbow layout per hatch as built	9-18-12	AD
3	Revised for production drawings	8-27-12	AD
2	ADDED BACK UP LEVEL CONTROL TO CHART	8-16-12	AD
1	COMPONENT DRAWING	8-8-12	AD

COMPONENT DRAWING

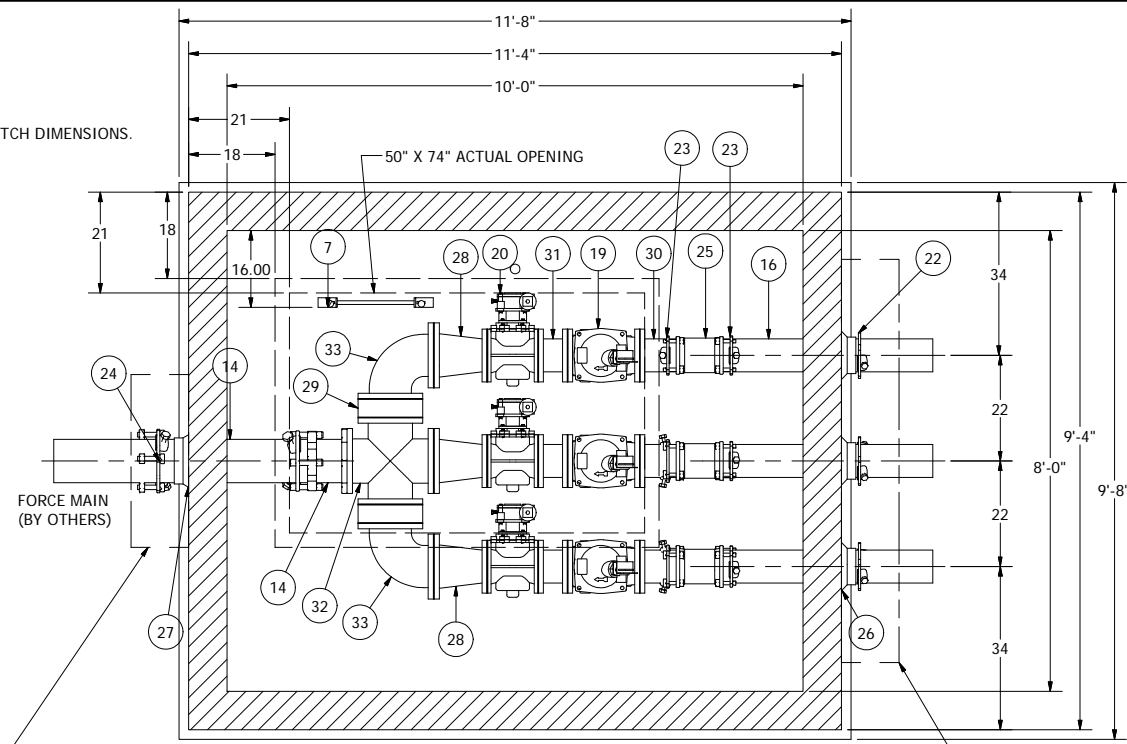
ROMTEC UTILITIES
18240 NORTH BANK ROAD
ROSEBURG, OREGON 97470
(541) 496-9678
FAX (541) 496-0804

**PLEASANT VALLEY RV PARK
8' WET WELL - 6" DISCHARGE**

SHEET
1 OF 2
JOB NUMBER
**RMTC
0000**



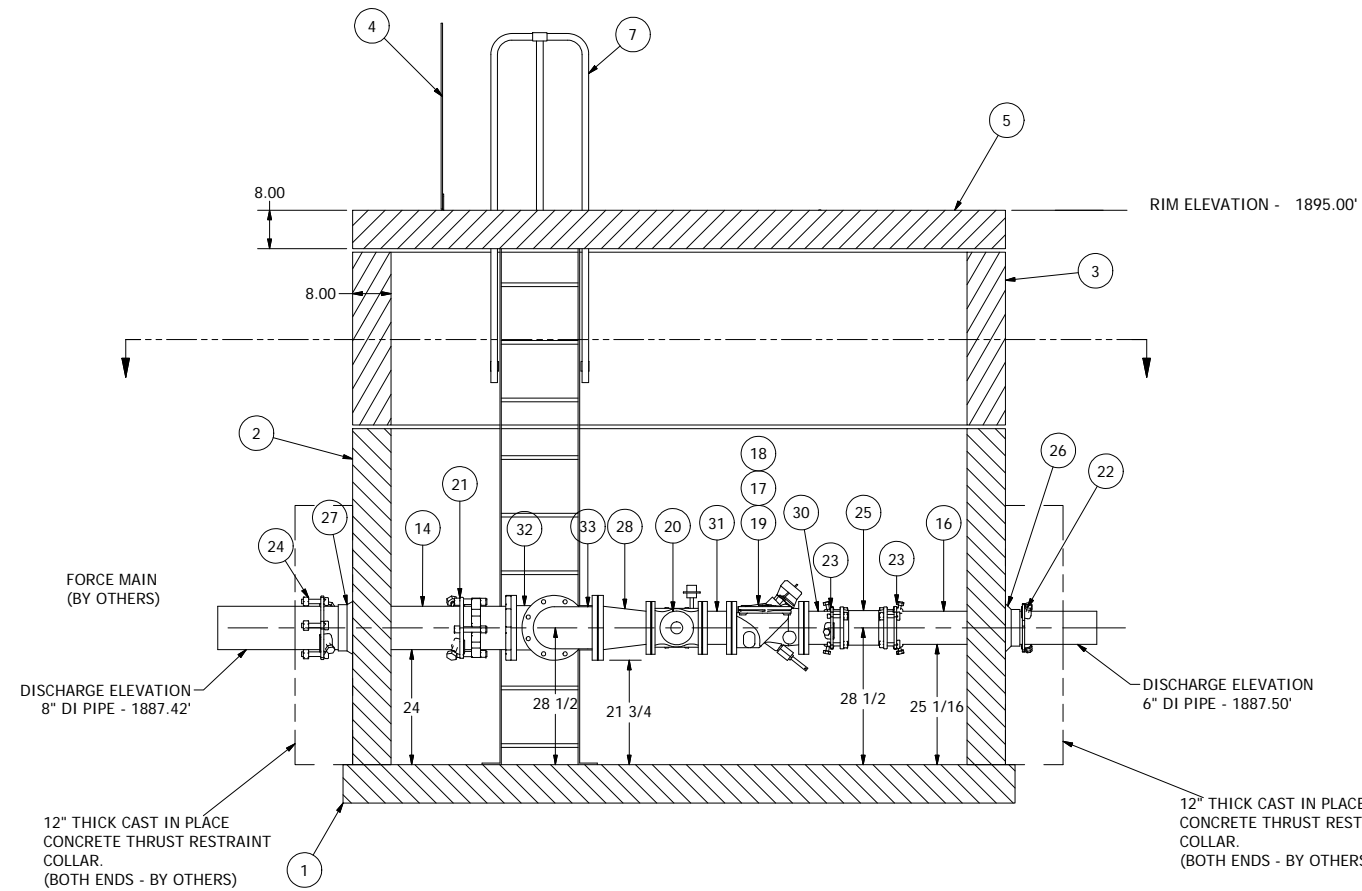
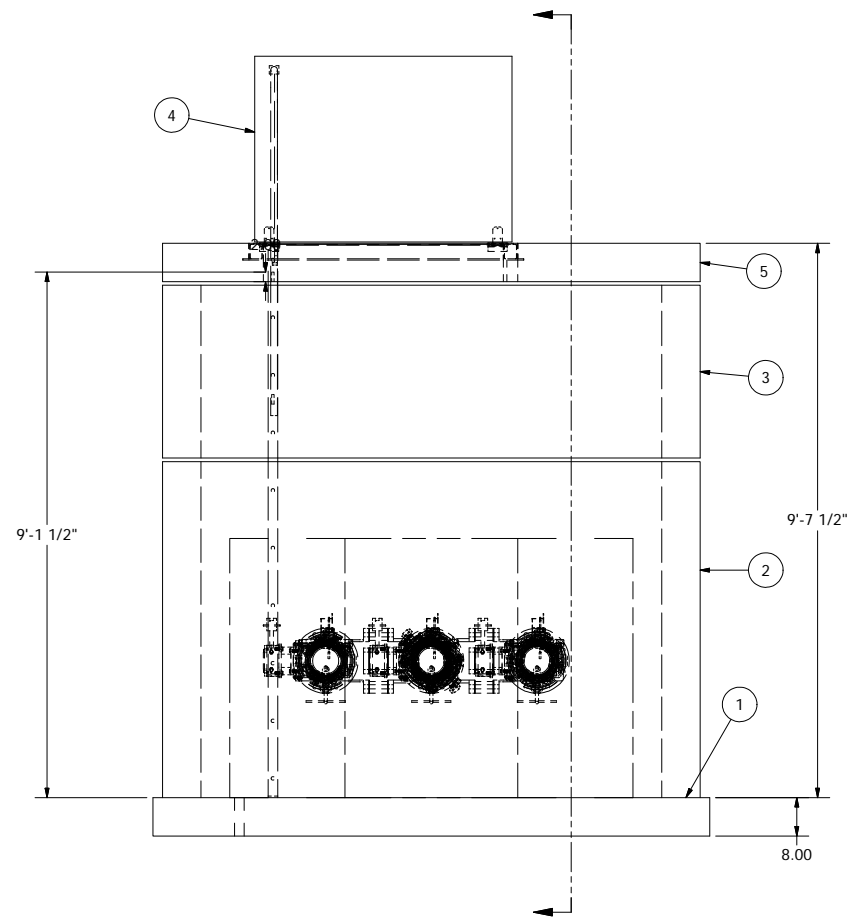
NOTE: OFFSET HATCH DIMENSIONS.



12" THICK CAST IN PLACE CONCRETE THRUST RESTRAINT COLLAR. (BOTH ENDS - BY OTHERS)

12" THICK CAST IN PLACE CONCRETE THRUST RESTRAINT COLLAR. (BOTH ENDS - BY OTHERS)

NOTE: VAULT TOP SLAB IS PEDESTRIAN RATED



NOTE: OFFSET HATCH DIMENSIONS AND HATCH POSITION.

8' X 10' VALVE VAULT
6" X 8" PIPING AND VALVES

NOTE: ALL DIMENSIONS AND ELEVATIONS SHOWN ARE NOMINAL DIMENSIONS. IT IS THE RESPONSIBILITY OF THE ON-SITE CONTRACTOR OR ROMTEC UTILITIES CUSTOMER (NOT ROMTEC UTILITIES) TO VERIFY THE ACCURACY OF ANY CRITICAL DIMENSIONS OR ELEVATIONS PRIOR TO SETTING OR INSTALLING ANY EQUIPMENT.

ALL MATERIALS SHOWN ON THIS SHEET WILL BE SUPPLIED BY ROMTEC UTILITIES AND DELIVERED TO THE SITE AFTER THE HOLE HAS BEEN EXCAVATED AND SHORED. THE CONTRACTOR SHALL SUPPLY A CRANE OF SUFFICIENT SIZE TO LOWER ALL THE CONCRETE PIECES INTO THE HOLE SAFELY. THE CONTRACTOR SHALL INSTALL THE WET WELL (AND VALVE VAULT AND METERING VAULT IF APPLICABLE). ROMTEC UTILITIES WILL PROVIDE A REPRESENTATIVE FOR TECHNICAL ASSISTANCE ON THE DAY OF INSTALLATION TO ANSWER ANY QUESTIONS THAT MAY ARISE. THE CONTRACTOR IS RESPONSIBLE FOR ALL PLUMBING AND ELECTRICAL CONNECTIONS AND INSTALLATION. ITEMS NOTED AS "BY OTHERS" WILL BE PROVIDED AND INSTALLED BY THE CONTRACTOR. ROMTEC UTILITIES WILL NOT INSTALL ANY OF THE COMPONENTS SHOWN ON THIS PAGE.

VERIFY SCALE
BAR IS ONE INCH ON ORIGINAL DRAWING
1"
IF NOT ONE INCH ON THIS SHEET, ADJUST SCALES PROPORTIONALLY

COMPONENT DRAWING

ROMTEC UTILITIES
18240 NORTH BANK ROAD
ROSEBURG, OREGON 97470
(541) 496-9678
FAX (541) 496-0804

PLEASANT VALLEY RV PARK
6" TRIPLEX VALVE VAULT

SHEET
2 OF 2
JOB NUMBER
RMTC
0000

REV	DESCRIPTION	DATE	APPROV
3	REVISED FOR PRODUCTION LAUNCH	8-28-12	AD
2	OFFSET HATCH LOCATION, REVISED 8in CROSS	8-17-12	AD
1	COMPONENT DRAWING	8-8-12	AD

REVISION HISTORY