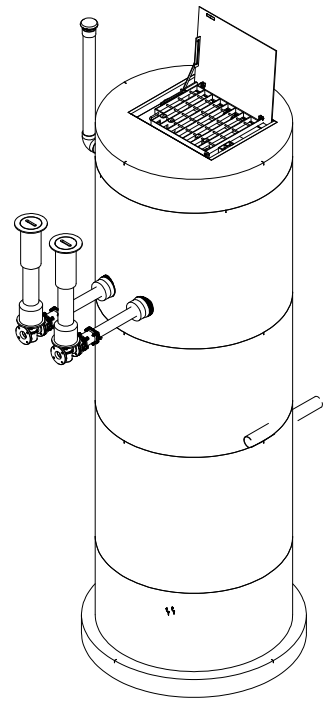
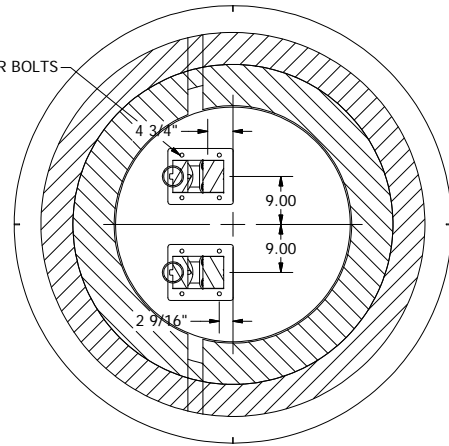


NOTE: ALL DIMENSIONS AND ELEVATIONS SHOWN ARE NOMINAL DIMENSIONS. IT IS THE RESPONSIBILITY OF THE ON-SITE CONTRACTOR OR ROMTEC UTILITIES CUSTOMER (NOT ROMTEC UTILITIES) TO VERIFY THE ACCURACY OF ANY CRITICAL DIMENSIONS OR ELEVATIONS PRIOR TO SETTING OR INSTALLING ANY EQUIPMENT.

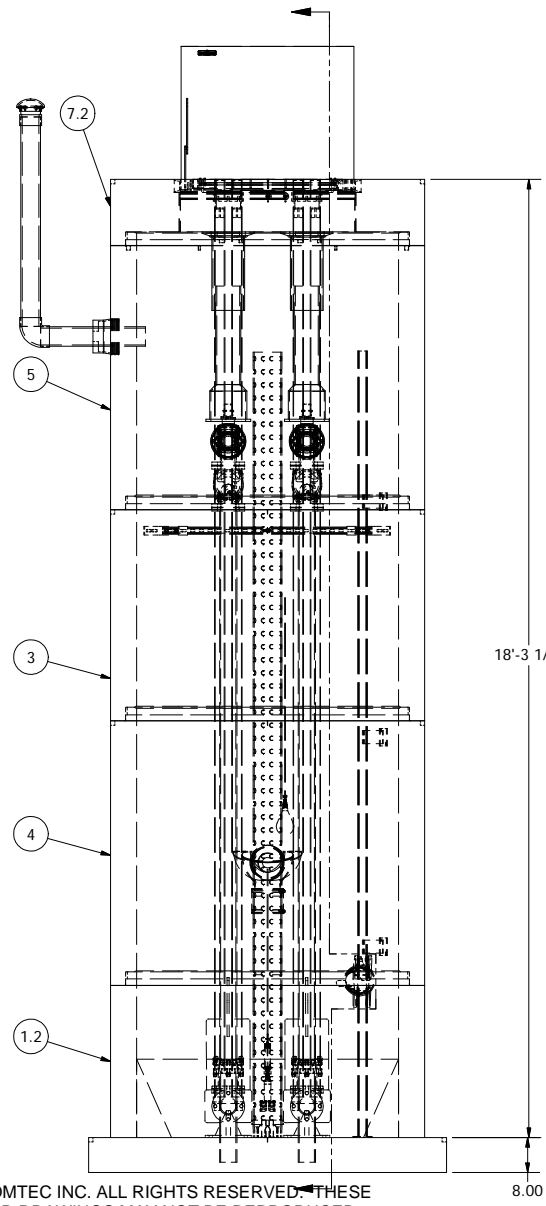


DOUBLE CHECK UPPER GUIDE BAR BRACKET DIMENSIONS WITH ENGINEER PRIOR TO SETTING ANCHOR BOLTS.

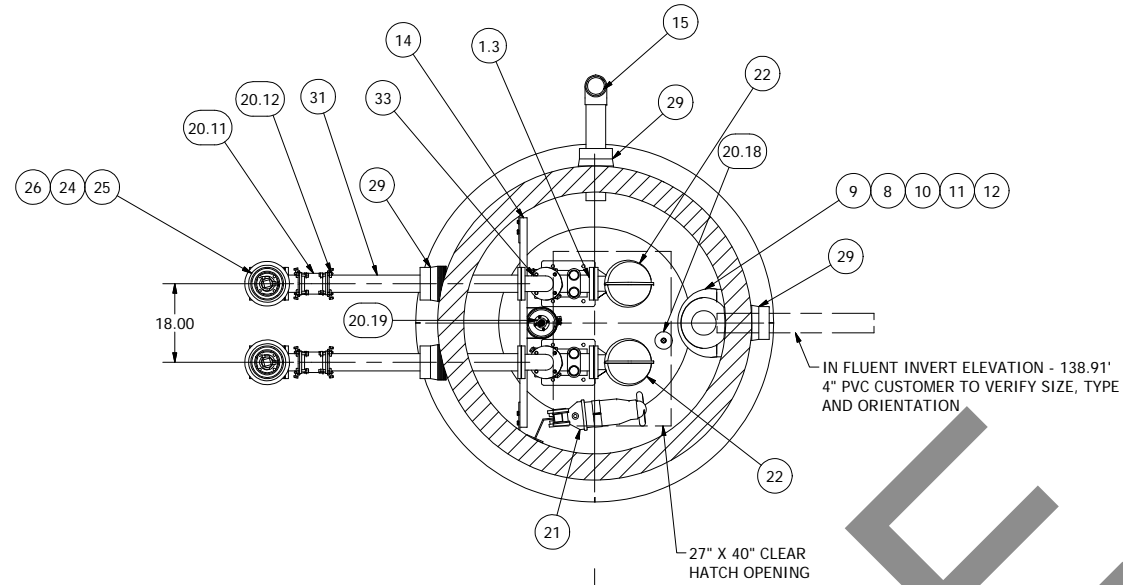
4 EACH - 1/2" ANCHOR BOLTS



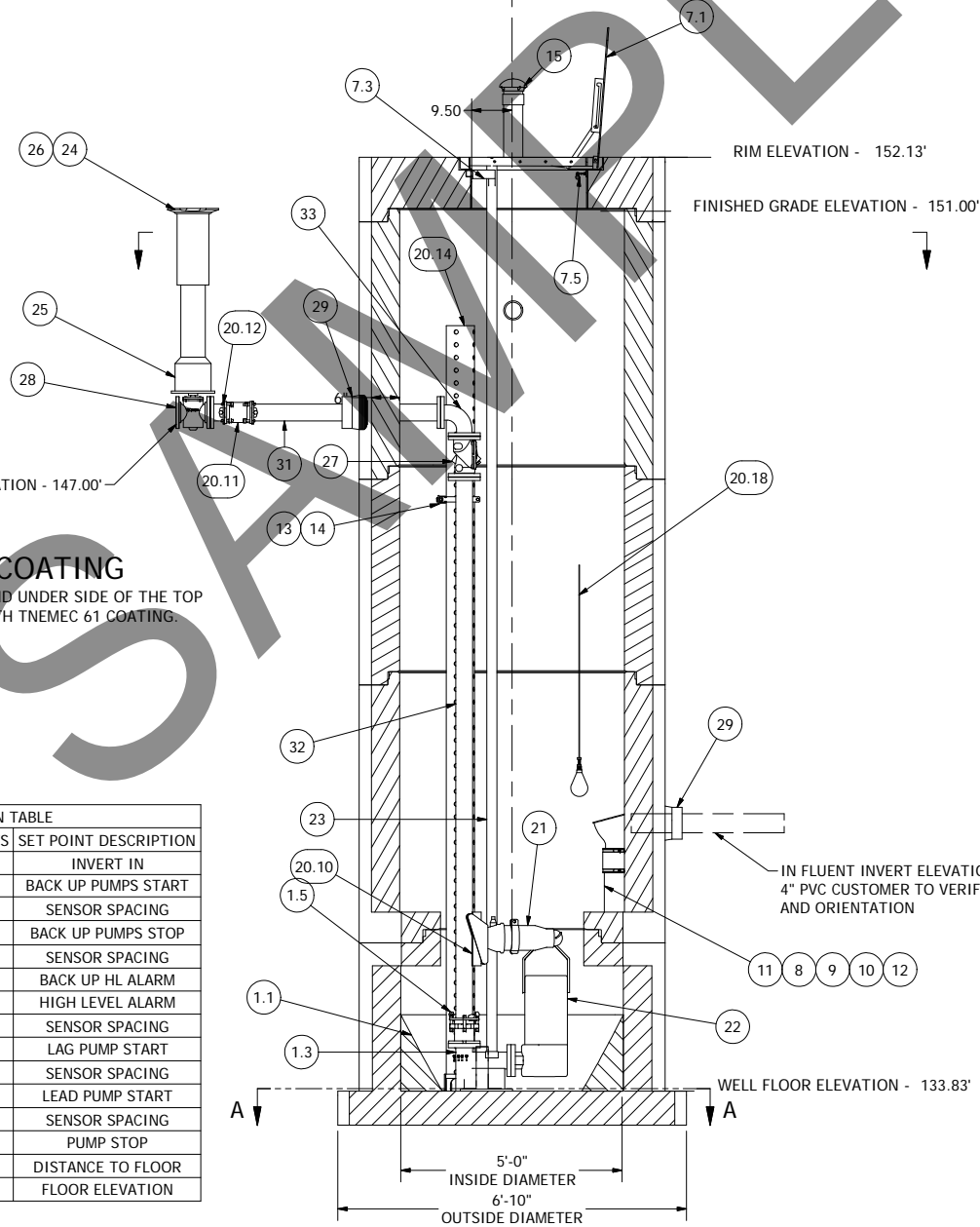
SECTION A-A  
ANCHOR BOLT  
LAYOUT



SENSOR AND ELEVATION TABLE		
LEVEL ELEVATION	DISTANCE BETWEEN POINTS	SET POINT DESCRIPTION
138.91		INVERT IN
N/A		BACK UP PUMPS START
	N/A	SENSOR SPACING
N/A		BACK UP PUMPS STOP
	N/A	SENSOR SPACING
137.58		BACK UP HL ALARM
137.33		HIGH LEVEL ALARM
	0.50	SENSOR SPACING
136.83		LAG PUMP START
	0.50	SENSOR SPACING
136.33		LEAD PUMP START
	0.50	SENSOR SPACING
135.83		PUMP STOP
	2.00	DISTANCE TO FLOOR
133.83		FLOOR ELEVATION



NOTE: WET WELL TOP SLAB IS PEDESTRIAN RATED



**INTERIOR COATING**  
THE INTERIOR WALLS, BASE AND UNDER SIDE OF THE TOP SLAB SHALL BE COATED WITH TNEPEC 61 COATING.

5' DIAMETER WET WELL  
3" DISCHARGE PIPING  
WEIL SLICER PUMPS

VERIFY SCALE  
BAR IS ONE INCH ON ORIGINAL DRAWING  
0 IF NOT ONE INCH ON THIS SHEET ADJUST SCALES APPROPRIATELY  
1"  
DSN - N/A  
DIRN - N/A  
CKD - AD  
DATE - 12-11-13

COMPONENT  
DRAWING

**ROMTEC UTILITIES**  
18240 NORTH BANK ROAD  
ROSEBURG, OREGON 97470  
(541) 496-9678  
FAX (541) 496-0804

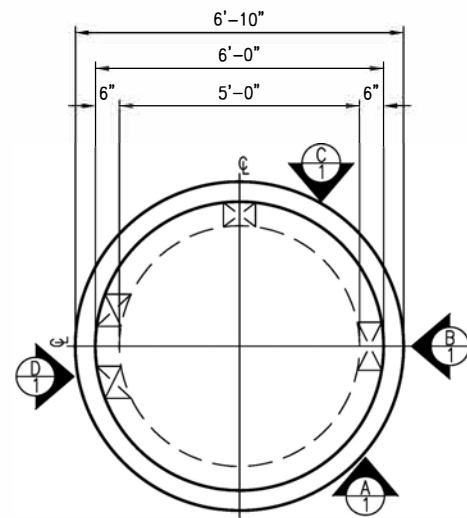
SALEM HOSPITAL  
3" - 5' DIA WET WELL

SHEET  
1 OF 1  
JOB NUMBER  
RMTC  
0000

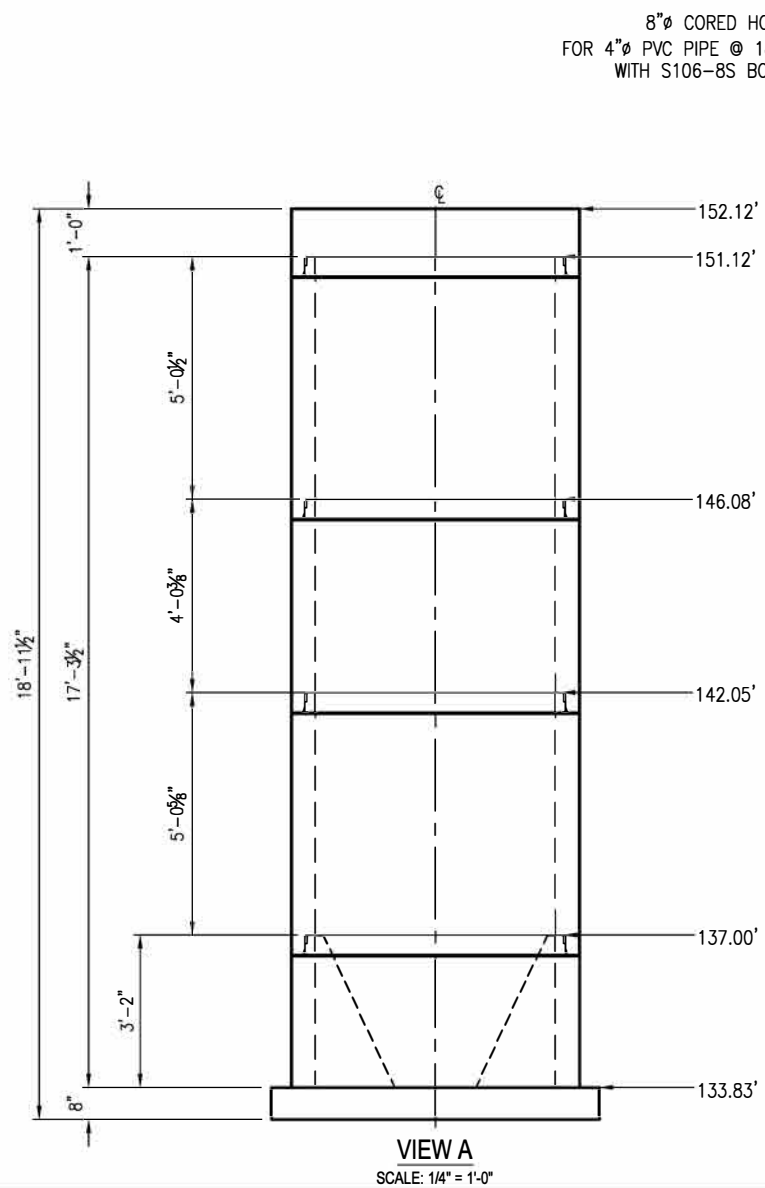
REV	DESCRIPTION	DATE	APPROV
7	REVISED SPOOL LENGTH	6-5-14	AD
6	UPDATE PER WHAT WAS PRODUCED	6-2-14	N/A
5	UPDATE FOR PRODUCTION LAUNCH	5-8-14	AD
4	2HP PUMPS	5-6-14	N/A
3	ADDED MIXER AND INTERIOR COATING	3-14-14	AD
2	PER COMMENTS	1-6-14	N/A
1	PER COMMENTS	12-18-13	N/A

ALL MATERIALS SHOWN ON THIS SHEET WILL BE SUPPLIED BY ROMTEC UTILITIES AND DELIVERED TO THE SITE AFTER THE HOLE HAS BEEN EXCAVATED AND SHORED. THE CONTRACTOR SHALL SUPPLY A CRANE OF SUFFICIENT SIZE TO LOWER ALL THE CONCRETE PIECES INTO THE HOLE SAFELY. THE CONTRACTOR SHALL INSTALL THE WET WELL (AND VALVE VAULT AND METERING VAULT IF APPLICABLE). ROMTEC UTILITIES WILL PROVIDE A REPRESENTATIVE FOR TECHNICAL ASSISTANCE ON THE DAY OF INSTALLATION TO ANSWER ANY QUESTIONS THAT MAY ARISE. THE CONTRACTOR IS RESPONSIBLE FOR ALL PLUMBING AND ELECTRICAL CONNECTIONS AND INSTALLATION. ITEMS NOTED AS "BY OTHERS" WILL BE PROVIDED AND INSTALLED BY THE CONTRACTOR. ROMTEC UTILITIES WILL NOT INSTALL ANY OF THE COMPONENTS SHOWN ON THIS PAGE.

© 2013 ROMTEC INC. ALL RIGHTS RESERVED. THESE PLANS AND DRAWINGS MAY NOT BE REPRODUCED, ADAPTED, OR FURTHER DISTRIBUTED, AND NO COMPONENTS MAY BE CONSTRUCTED FROM THESE PLANS, WITHOUT WRITTEN PERMISSION OF ROMTEC, INC.

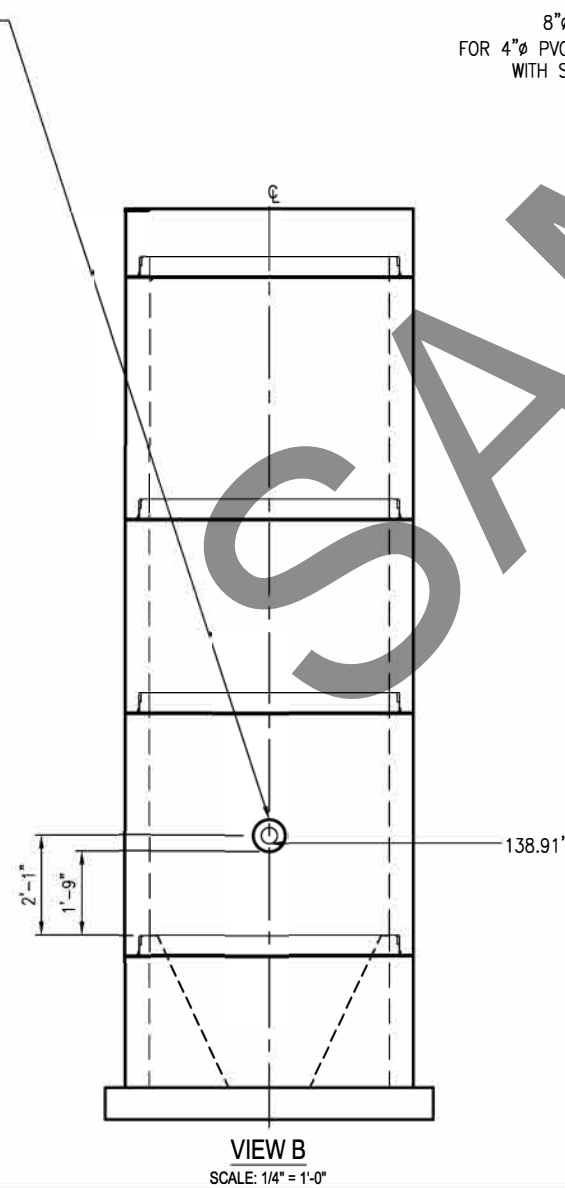


**PLAN VIEW**  
SCALE: 1/4" = 1'-0"



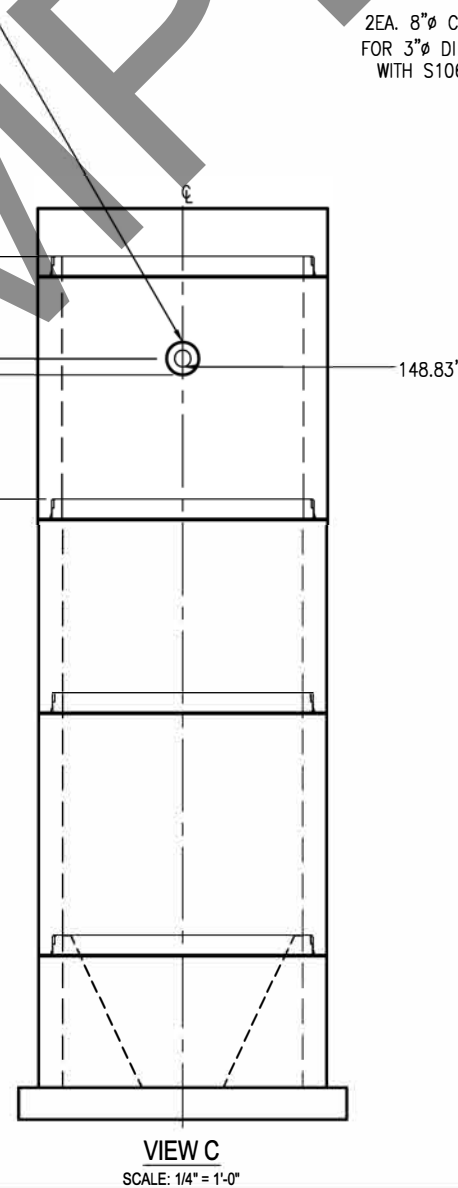
**VIEW A**  
SCALE: 1/4" = 1'-0"

8"Ø CORED HOLE  
FOR 4"Ø PVC PIPE @ 180°  
WITH S106-8S BOOT



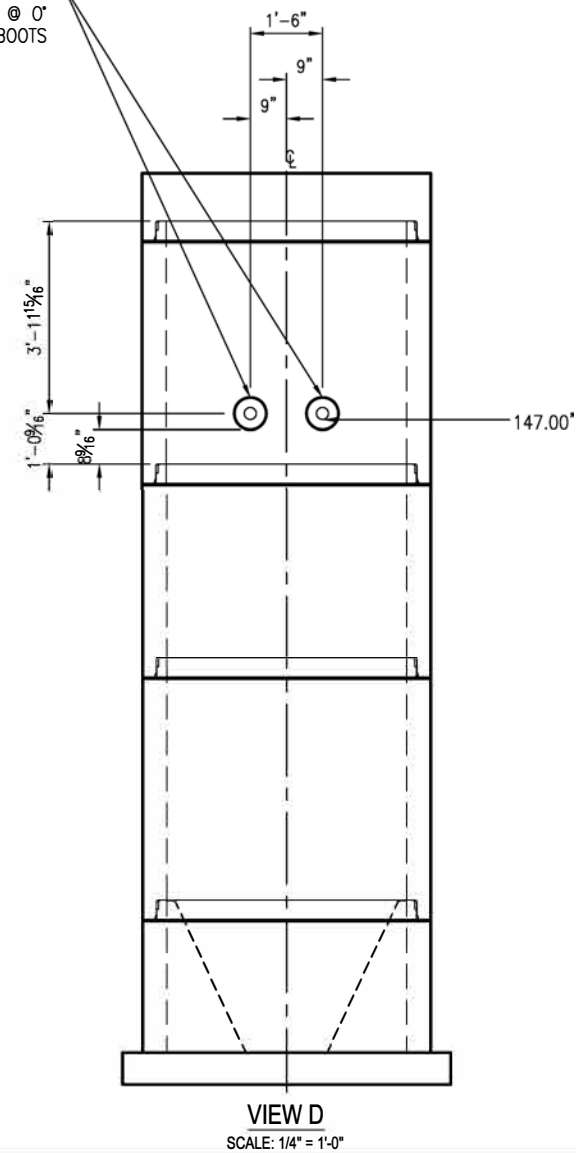
**VIEW B**  
SCALE: 1/4" = 1'-0"

8"Ø CORED HOLE  
FOR 4"Ø PVC PIPE @ 270°  
WITH S106-8S BOOT



**VIEW C**  
SCALE: 1/4" = 1'-0"

2EA. 8"Ø CORED HOLES  
FOR 3"Ø DI PIPES @ 0°  
WITH S106-8M BOOTS



**VIEW D**  
SCALE: 1/4" = 1'-0"

**STRUCTURAL NOTES:**

- LOADS:**
- H2O TRAFFIC
  - MAX SOIL COVER: 0 FT
  - 150 PCF CONCRETE DENSITY; 120 PCF SOIL DENSITY
  - H2O SURCHARGE: 2 FT ABOVE FILL TO 8 FT BELOW GRADE
  - DRY SOIL LATERAL LOAD - 40 PCF
  - WET SOIL LATERAL LOAD - 80 PCF
  - WATER TABLE - BELOW MANHOLE

- DESIGN SPECIFICATIONS**
- ACI-318-08 BUILDING CODE
  - ASTM C 478 STANDARD SPECIFICATIONS FOR REINFORCED CONCRETE MANHOLE SECTIONS

- MATERIALS:**
- CONCRETE - 28 DAY COMPRESSIVE STRENGTH  $f_c$  = 6000 PSI
  - REBAR - ASTM A 706 GRADE 60
  - CEMENT - ASTM C150
  - FLYASH - ASTM C618

- GENERAL NOTES:**
- 1) CONTRACTOR TO: VERIFY ALL DIMENSIONS AND OPENING LOCATIONS
  - 2) REBAR MAY BE TACK WELDED OR TIED
  - 3) TOLERANCES PER ASTM C 478 STANDARD SPECIFICATIONS FOR REINFORCED CONCRETE MANHOLE SECTIONS



THIS DOCUMENT IS THE PROPERTY OF OLDCASTLE PRECAST, INC. IT IS SUBMITTED FOR REFERENCE PURPOSES ONLY AND SHALL NOT BE USED IN ANY WAY INJURIOUS TO THE INTERESTS OF SAID COMPANY.

COPYRIGHT © 2013 OLDCASTLE PRECAST, INC. ALL RIGHTS RESERVED.

**60"ØX17'-2" (I.D.) WET WELL**

SALEM HOSPITAL  
STOCKTON, CA

CUSTOMER  
**ROMTEC**

DATE	SALES	DRAWN	ENGINEER	CHECKED	SALES ORDER
6/2/14	BD	VK	JM	JM	S18973
DRAWING NUMBER				REVISION	SHEET
030-S18973-099 - 6-2-14				1	1 OF 1
				REV DATE	
				12/20/13	