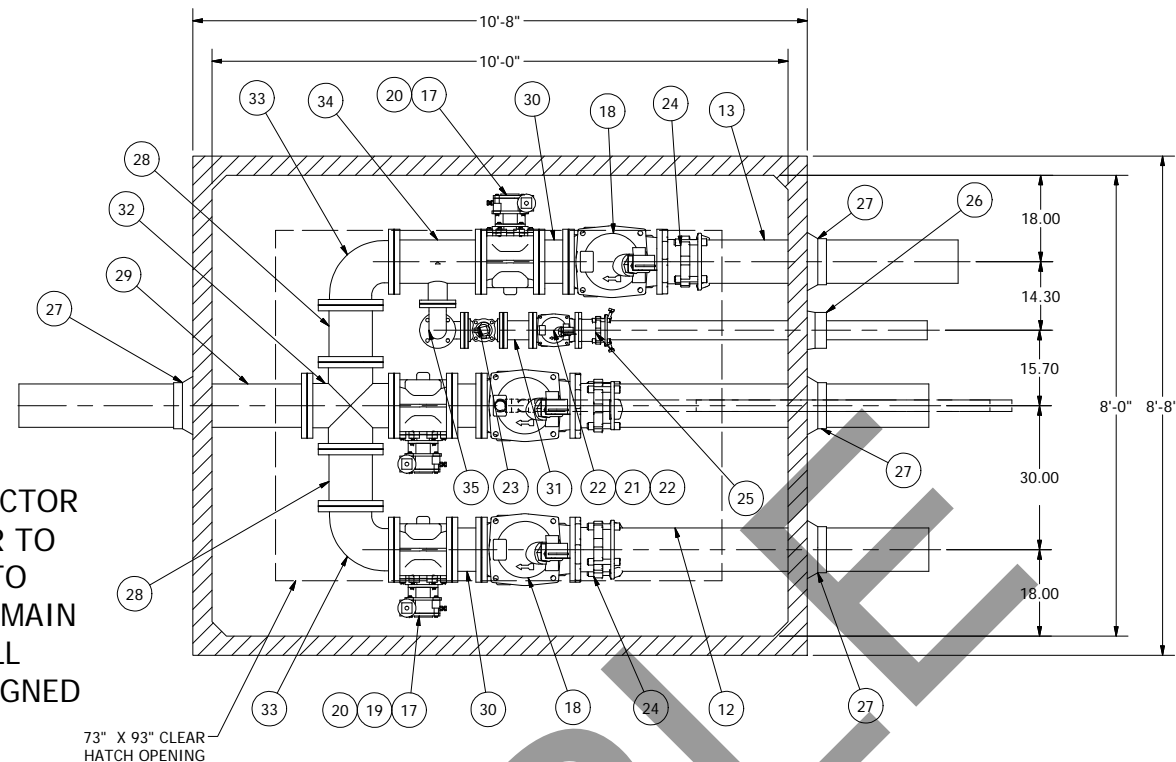
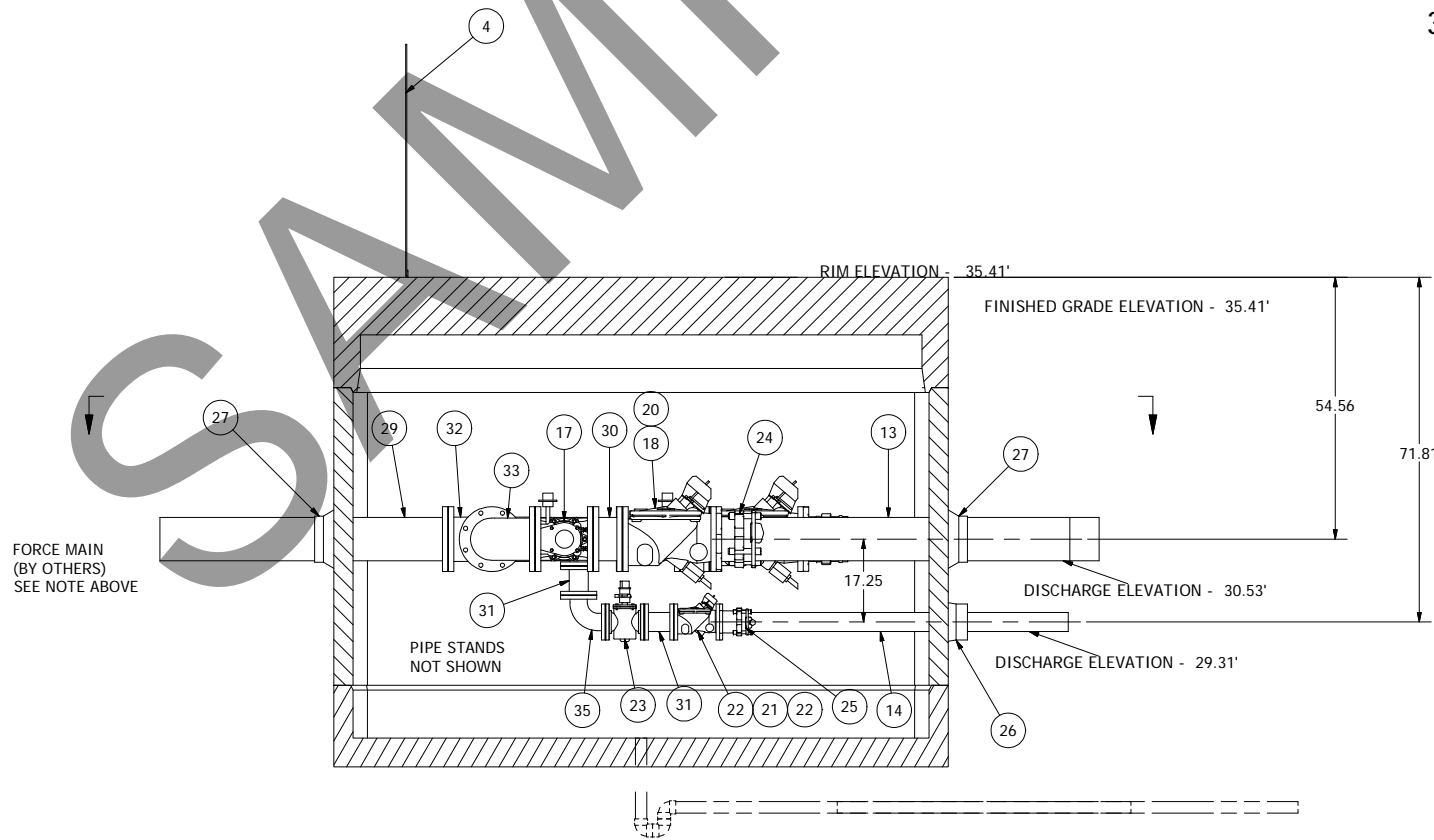
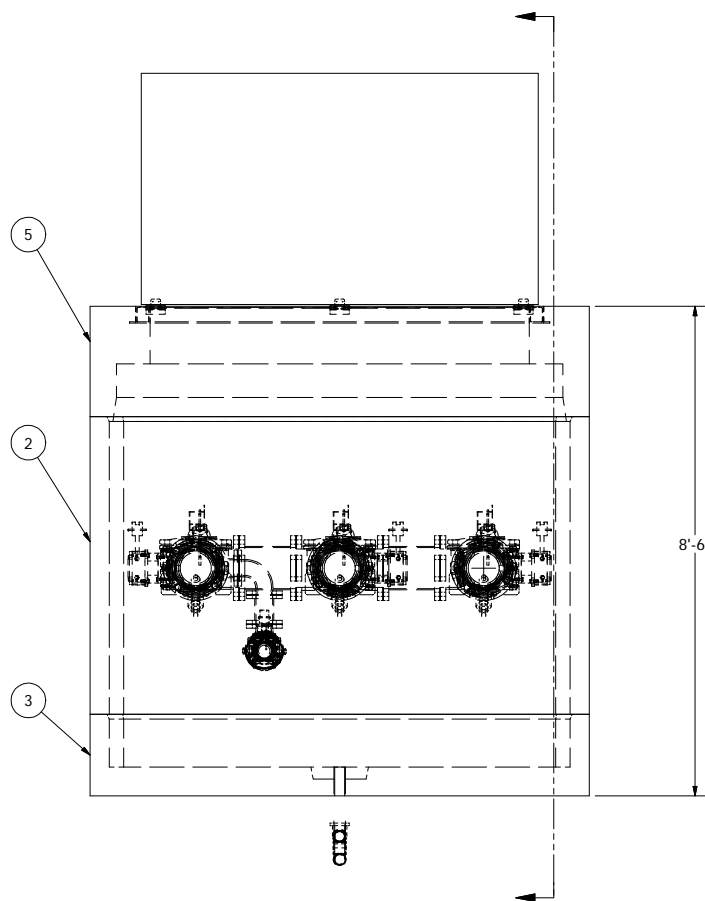


12in FORCE MAIN IS BY THE CONTRACTOR. THE CONTRACTOR MUST SUPPLY THE REDUCER TO GO FROM THE 8in DI PIPE TO 12in DI PIPE. IF THE FORCE MAIN IS NOT 12in THE PUMPS WILL NOT PERFORM TO THE DESIGNED GPM.



NOTE: VAULT TOP SLAB IS H-20 OCCASIONAL RATED

810 VALVE VAULT
3" & 8" PIPING AND VALVES



DRAIN BACK TO WET WELL:
3" PLAIN HOLE IN VAULT (PROVIDED)
2" PEE TRAP ON VAULT END WITH CHECK VALVE AT END OF PIPE IN WET WELL. (BY OTHERS) NOT ROMTEC UTILITIES

NOTE: ALL DIMENSIONS AND ELEVATIONS SHOWN ARE NOMINAL DIMENSIONS. IT IS THE RESPONSIBILITY OF THE ON-SITE CONTRACTOR OR ROMTEC UTILITIES CUSTOMER (NOT ROMTEC UTILITIES) TO VERIFY THE ACCURACY OF ANY CRITICAL DIMENSIONS OR ELEVATIONS PRIOR TO SETTING OR INSTALLING ANY EQUIPMENT.

ALL MATERIALS SHOWN ON THIS SHEET WILL BE SUPPLIED BY ROMTEC UTILITIES AND DELIVERED TO THE SITE AFTER THE HOLE HAS BEEN EXCAVATED AND SHORED. THE CONTRACTOR SHALL SUPPLY A CRANE OF SUFFICIENT SIZE TO LOWER ALL THE CONCRETE PIECES INTO THE HOLE SAFELY. THE CONTRACTOR SHALL INSTALL THE WET WELL (AND VALVE VAULT AND METERING VAULT IF APPLICABLE). ROMTEC UTILITIES WILL PROVIDE A REPRESENTATIVE FOR TECHNICAL ASSISTANCE ON THE DAY OF INSTALLATION TO ANSWER ANY QUESTIONS THAT MAY ARISE. THE CONTRACTOR IS RESPONSIBLE FOR ALL PLUMBING AND ELECTRICAL CONNECTIONS AND INSTALLATION. ITEMS NOTED AS "BY OTHERS" WILL BE PROVIDED AND INSTALLED BY THE CONTRACTOR. ROMTEC UTILITIES WILL NOT INSTALL ANY OF THE COMPONENTS SHOWN ON THIS PAGE.

VERIFY SCALE
BAR IS ONE INCH ON ORIGINAL DRAWING
1"
IF NOT ONE INCH ON THIS SHEET ADJUST SCALES PROPORTIONALLY
0

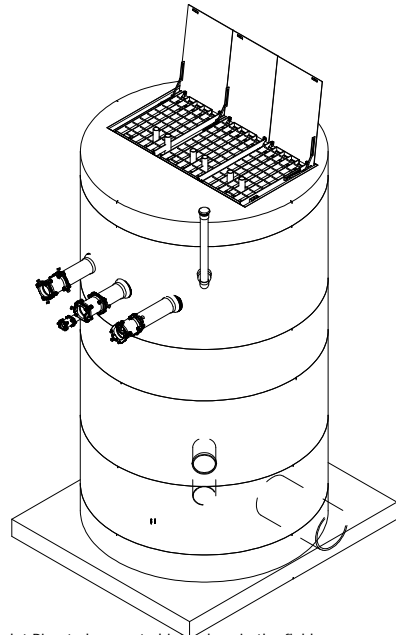
COMPONENT DRAWING

ROMTEC UTILITIES
18240 NORTH BANK ROAD
ROSEBURG, OREGON 97470
(541) 496-9678
FAX (541) 496-0804

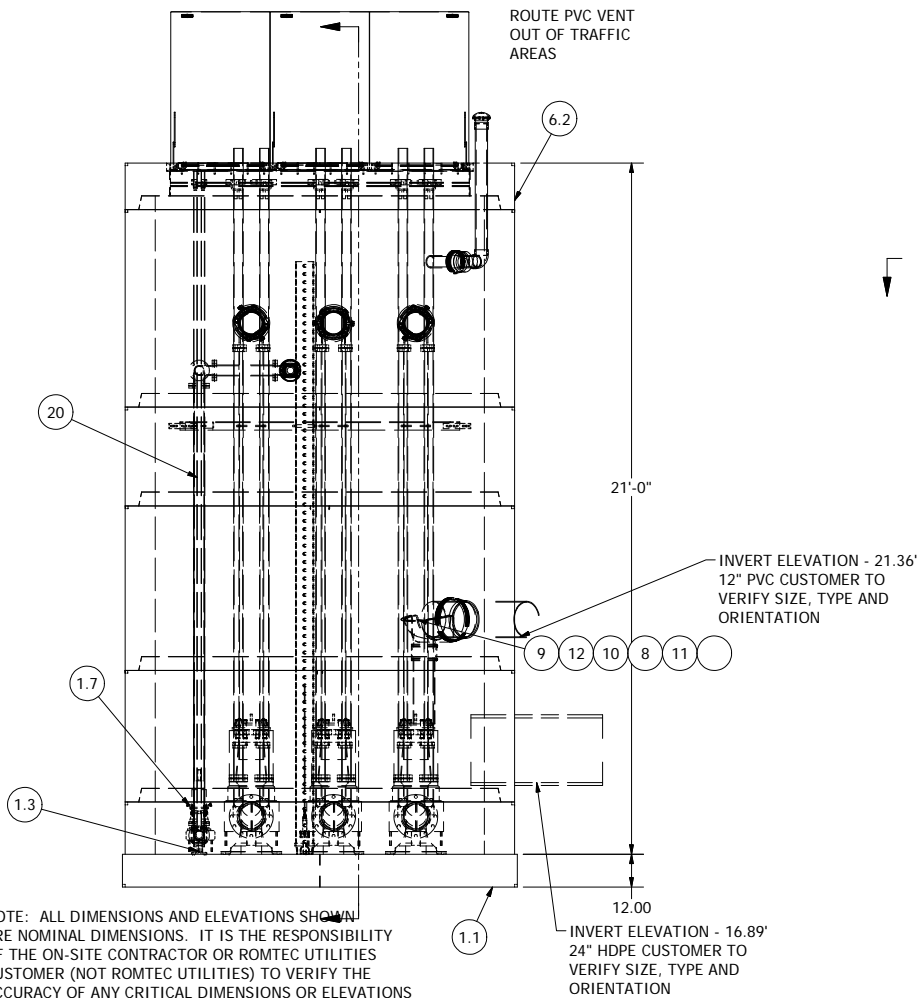
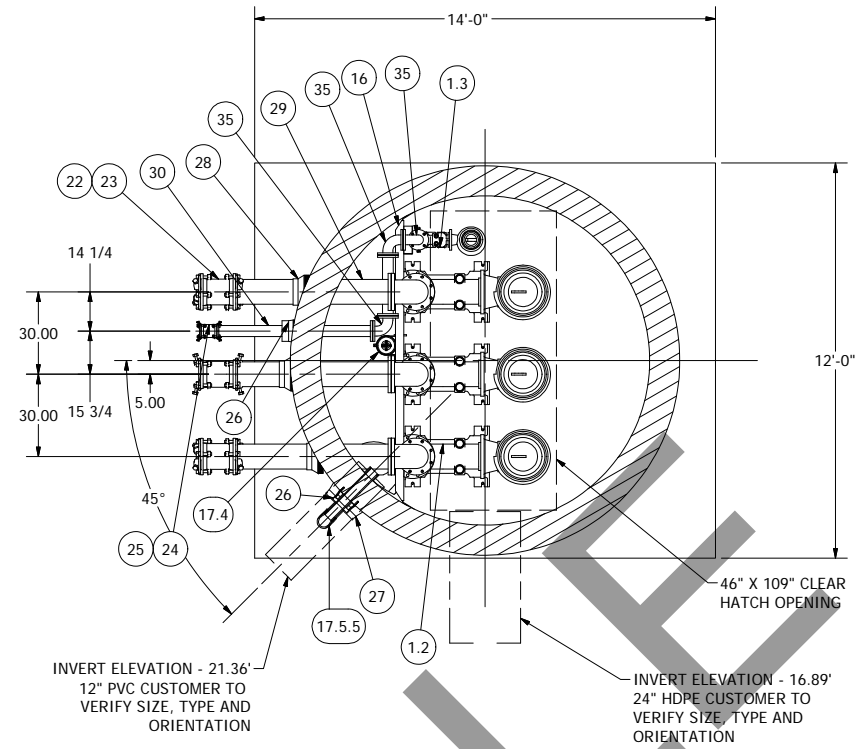
SHEA CENTER SW
8" & 3" - 810 VALVE VAULT

SHEET
1 OF 1
JOB NUMBER
RMTC
0000

REV	DESCRIPTION	DATE	APPROV
5	ADDED FORCE MAIN NOTE	8-6-14	AD
4	REVISED NEW RIM ELEVATION	7-30-14	AD
3	REVISED FOR PRODUCTION LAUNCH	7-23-14	AD
2	PER INLET ORIENTATION/ELEVATION CHANGES	7-16-14	NNA
1	REVISED FOR PRE-PRODUCTION LAUNCH	7-10-14	AD

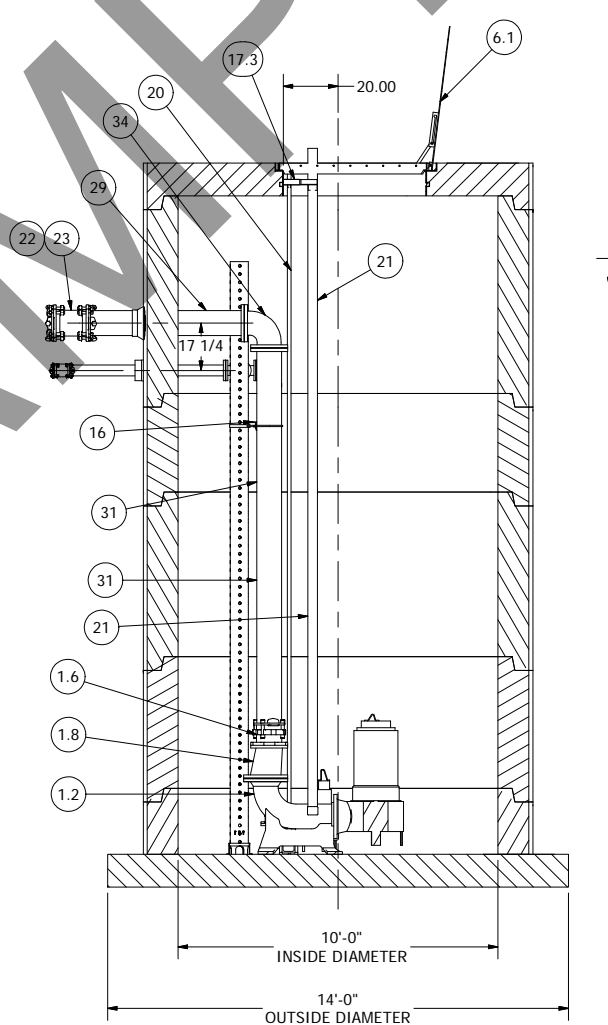


24" Inlet Pipe to be grouted into place in the field. The barrel joint that the 24" Inlet Pipe is penetrating will also need to be grouted in the field to make the joint seal water tight.



NOTE: ALL DIMENSIONS AND ELEVATIONS SHOWN ARE NOMINAL DIMENSIONS. IT IS THE RESPONSIBILITY OF THE ON-SITE CONTRACTOR OR ROMTEC UTILITIES CUSTOMER (NOT ROMTEC UTILITIES) TO VERIFY THE ACCURACY OF ANY CRITICAL DIMENSIONS OR ELEVATIONS PRIOR TO SETTING OR INSTALLING ANY EQUIPMENT.

© 2013 ROMTEC INC. ALL RIGHTS RESERVED. THESE PLANS AND DRAWINGS MAY NOT BE REPRODUCED, ADAPTED, OR FURTHER DISTRIBUTED, AND NO COMPONENTS MAY BE CONSTRUCTED FROM THESE PLANS, WITHOUT WRITTEN PERMISSION OF ROMTEC, INC.



ALL MATERIALS SHOWN ON THIS SHEET WILL BE SUPPLIED BY ROMTEC UTILITIES AND DELIVERED TO THE SITE AFTER THE HOLE HAS BEEN EXCAVATED AND SHORED. THE CONTRACTOR SHALL SUPPLY A CRANE OF SUFFICIENT SIZE TO LOWER ALL THE CONCRETE PIECES INTO THE HOLE SAFELY. THE CONTRACTOR SHALL INSTALL THE WET WELL (AND VALVE VAULT AND METERING VAULT IF APPLICABLE). ROMTEC UTILITIES WILL PROVIDE A REPRESENTATIVE FOR TECHNICAL ASSISTANCE ON THE DAY OF INSTALLATION TO ANSWER ANY QUESTIONS THAT MAY ARISE. THE CONTRACTOR IS RESPONSIBLE FOR ALL PLUMBING AND ELECTRICAL CONNECTIONS AND INSTALLATION. ITEMS NOTED AS "BY OTHERS" WILL BE PROVIDED AND INSTALLED BY THE CONTRACTOR. ROMTEC UTILITIES WILL NOT INSTALL ANY OF THE COMPONENTS SHOWN ON THIS PAGE.

REV	DESCRIPTION	DATE	APPROV
6	MINOR CHANGES FOR PRODUCTION LAUNCH	8-15-14	AD
5	REVISED PUMP SELECTION AND 1FT DEEPER WELL	8-6-14	AD
4	REVISED PER COMMENTS THRU 7/30/14	7-30-14	AD
3	REVISED PER INLET ORIENTATION CHANGE	7-23-14	AD
2	INLET ORIENTATION/ELEVATION CHANGES	7-16-14	N/A
1	REVISED FOR PRODUCTION LAUNCH	7-10-14	AD

VERIFY SCALE
BAR IS ONE INCH ON ORIGINAL DRAWING

1"
IF NOT ONE INCH ON THIS SHEET ADJUST SCALES PROPORTIONALLY

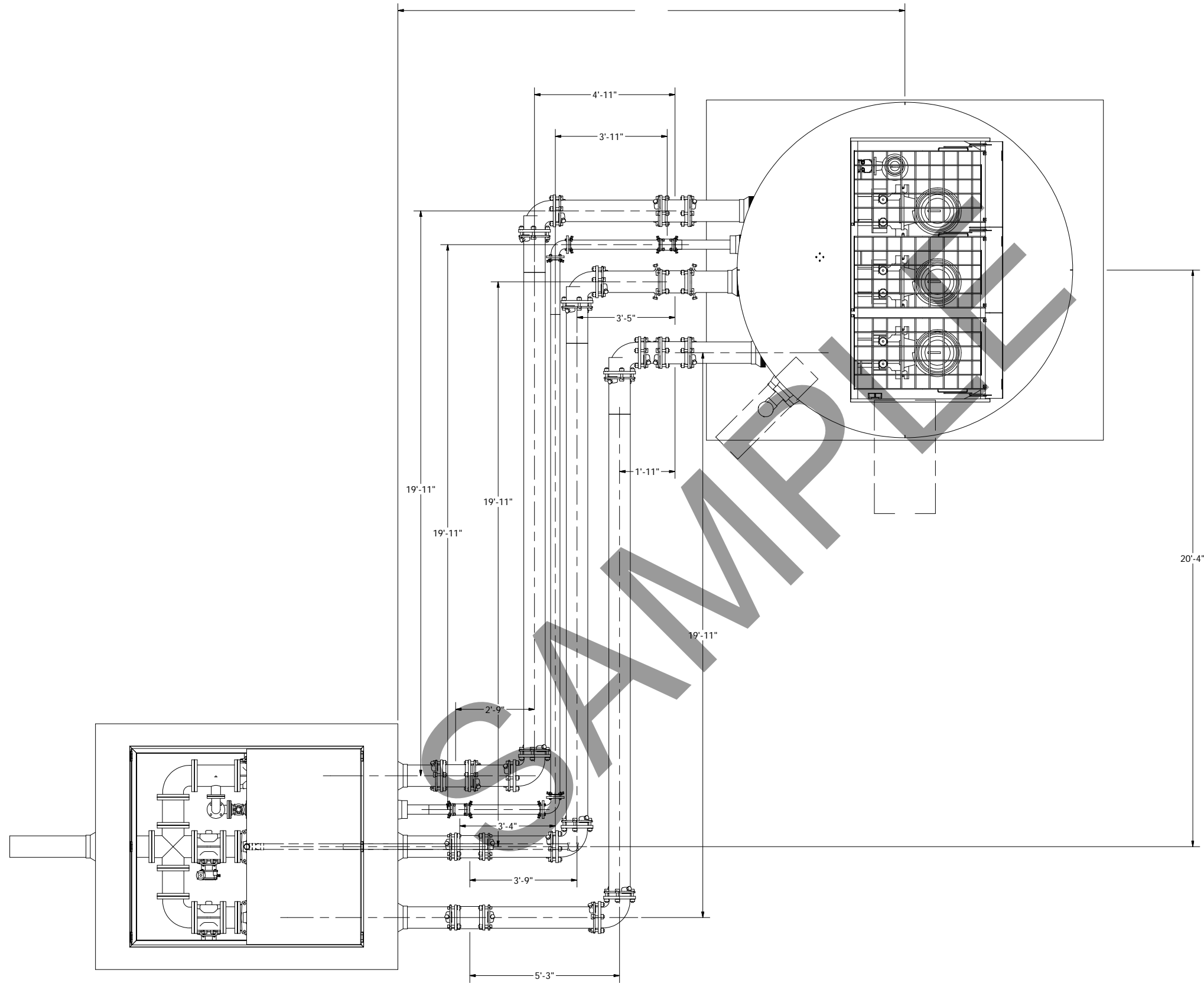
0

DSN - NNA
DRN - NNA
CKD - AD
DATE - 6/3/14

COMPONENT DRAWING

ROMTEC UTILITIES
18240 NORTH BANK ROAD
ROSEBURG, OREGON 97470
(541) 496-9678
FAX (541) 496-0804

SHEA CENTER SW
8" & 3" - 10' DIA WET WELL



© 2013 ROMTEC INC. ALL RIGHTS RESERVED. THESE PLANS AND DRAWINGS MAY NOT BE REPRODUCED, ADAPTED, OR FURTHER DISTRIBUTED, AND NO COMPONENTS MAY BE CONSTRUCTED FROM THESE PLANS, WITHOUT WRITTEN PERMISSION OF ROMTEC, INC.

NOTE: ALL DIMENSIONS AND ELEVATIONS SHOWN ARE NOMINAL DIMENSIONS. IT IS THE RESPONSIBILITY OF THE ON-SITE CONTRACTOR OR ROMTEC UTILITIES CUSTOMER (NOT ROMTEC UTILITIES) TO VERIFY THE ACCURACY OF ANY CRITICAL DIMENSIONS OR ELEVATIONS PRIOR TO SETTING OR INSTALLING ANY EQUIPMENT.

ROMTEC UTILITIES
 18240 NORTH BANK ROAD
 ROSEBURG, OREGON 97470
 (541) 496-9678
 FAX (541) 496-0804

SHEA CENTER
 WET WELL/ VALVE VAULT LAYOUT

SHEET
 1 OF 1

JOB NUMBER
 RMTC
 0000

VERIFY SCALE
 BAR IS ONE INCH ON ORIGINAL DRAWING
 1"
 IF NOT ONE INCH ON THIS SHEET ADJUST SCALES APPROPRIATELY
 DSN - AD
 DRN - AD
 CKD - AD
 DATE - 7-29-14

REV	DESCRIPTION	DATE	APPROV
1			