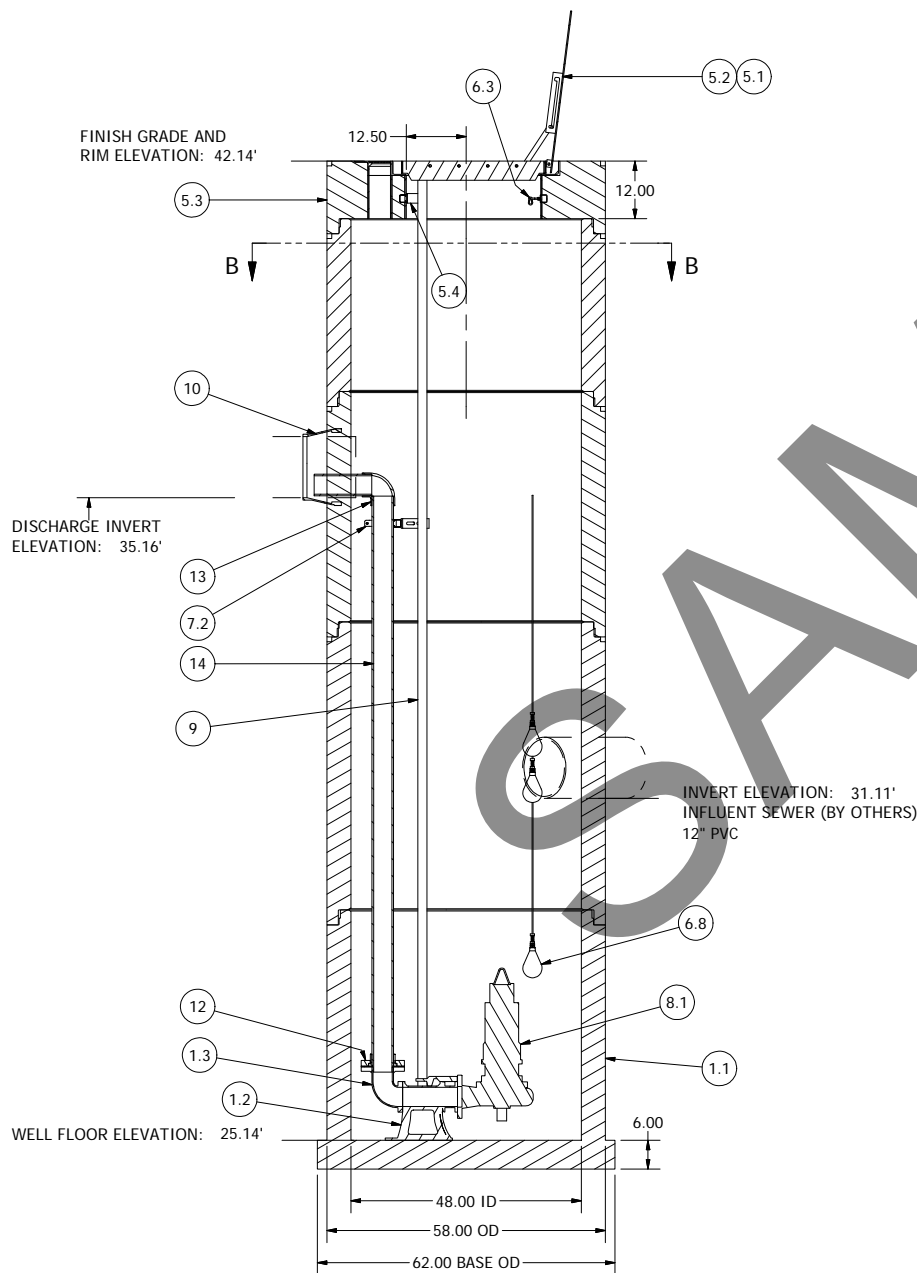


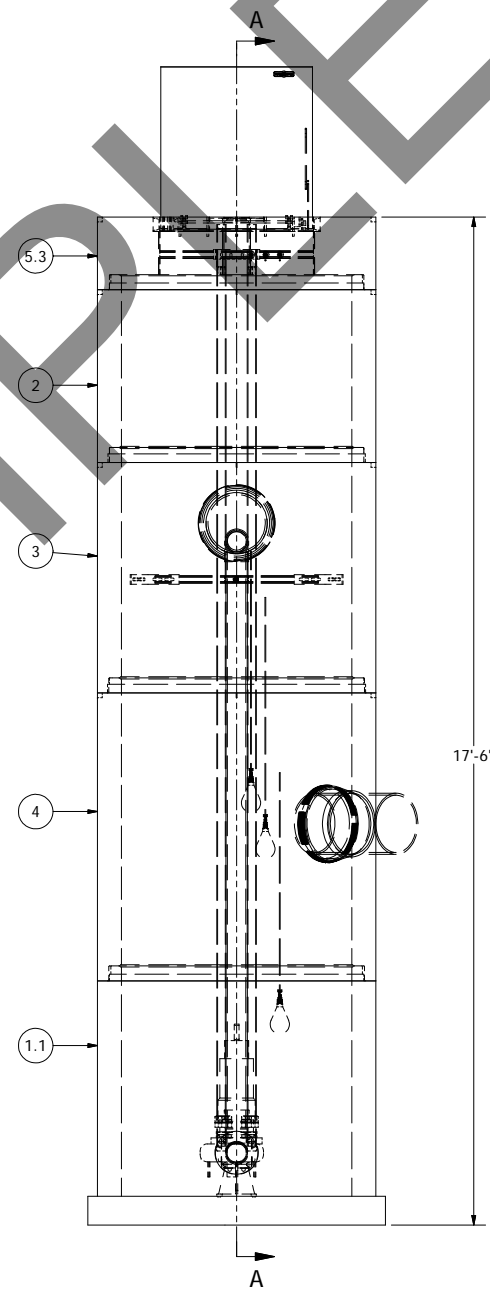
TOP VIEW  
SECTION B-B  
SCALE 1 / 20

HATCH OPENING  
25" x 32" CLEAR  
  
NOTE: PUMP CLEARS 25" OPENING  
WHEN SHIFTING PUMP OVER AFTER  
PUMP GUIDE CLEARS THE EDGE

NOTE: WET WELL TOP SLAB IS H-20 OCCASIONAL TRAFFIC RATED



PROFILE VIEW  
SECTION A-A  
SCALE 1 / 20



FRONT VIEW  
SCALE 1 / 20

4' DIAMETER WET WELL  
4" DISCHARGE PIPING  
EBARA PUMP

NOTE:  
CONDUIT TO CONTROL  
PANEL (BY OTHERS)  
MINIMUM  
(1) FOR POWER  
(1) FOR LEVEL SENSING

ALL MATERIALS SHOWN ON THIS SHEET WILL BE SUPPLIED BY ROMTEC UTILITIES AND DELIVERED TO THE SITE AFTER THE HOLE HAS BEEN EXCAVATED AND SHORED. THE CONTRACTOR SHALL SUPPLY A CRANE OF SUFFICIENT SIZE TO LOWER ALL THE CONCRETE PIECES INTO THE HOLE SAFELY. THE CONTRACTOR SHALL INSTALL THE WET WELL (AND VALVE VAULT AND METERING VAULT IF APPLICABLE). ROMTEC UTILITIES WILL PROVIDE A REPRESENTATIVE FOR TECHNICAL ASSISTANCE ON THE DAY OF INSTALLATION TO ANSWER ANY QUESTIONS THAT MAY ARISE. THE CONTRACTOR IS RESPONSIBLE FOR ALL PLUMBING AND ELECTRICAL CONNECTIONS AND INSTALLATION. ITEMS NOTED AS "BY OTHERS" WILL BE PROVIDED AND INSTALLED BY THE CONTRACTOR. ROMTEC UTILITIES WILL NOT INSTALL ANY OF THE COMPONENTS SHOWN ON THIS PAGE.

© 2015 ROMTEC INC. ALL RIGHTS RESERVED. THESE PLANS AND DRAWINGS MAY NOT BE REPRODUCED, ADAPTED, OR FURTHER DISTRIBUTED, AND NO COMPONENTS MAY BE CONSTRUCTED FROM THESE PLANS, WITHOUT WRITTEN PERMISSION OF ROMTEC, INC.

NOTE: ALL DIMENSIONS AND ELEVATIONS SHOWN ARE NOMINAL DIMENSIONS. IT IS THE RESPONSIBILITY OF THE ON-SITE CONTRACTOR OR ROMTEC UTILITIES CUSTOMER (NOT ROMTEC UTILITIES) TO VERIFY THE ACCURACY OF ANY CRITICAL DIMENSIONS OR ELEVATIONS PRIOR TO SETTING OR INSTALLING ANY EQUIPMENT.

VERIFY SCALE  
BAR IS ONE INCH ON ORIGINAL DRAWING  
1"  
0  
IF NOT ONE INCH ON THIS SHEET, ADJUST SCALES PROPORTIONALLY

COMPONENT DRAWING

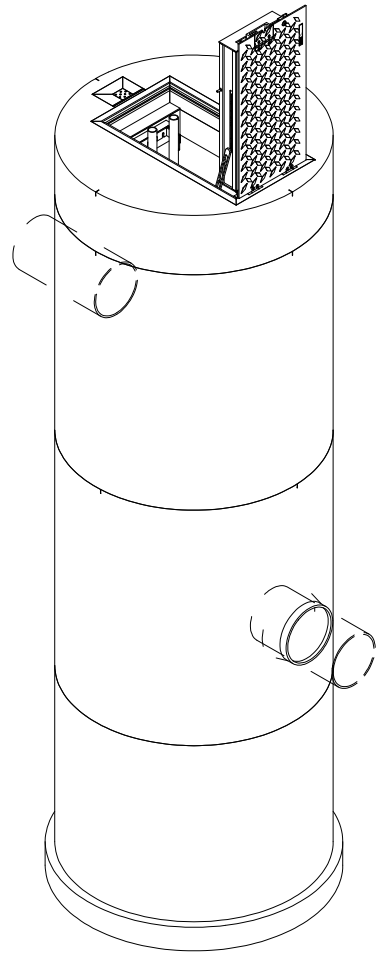
**ROMTEC UTILITIES**  
18240 NORTH BANK ROAD  
ROSEBURG, OREGON 97470  
(541) 496-9678  
FAX (541) 496-0804

MRCFAC L33  
(MORRISON CREEK) C007

SHEET  
1 OF 1  
  
JOB NUMBER  
RMTC  
0000

REV	DESCRIPTION	DATE	APPROV
2	NEW PUMP	2-12-16	AD
1	REVISED PER COMMENTS	9-9-15	AD
0	INITIAL DESIGN	8-24-15	KB

REVISION HISTORY

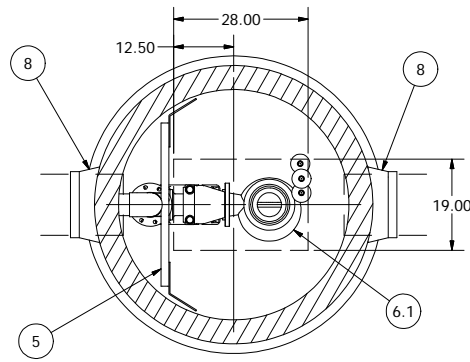


4' DIAMETER WET WELL  
4" DISCHARGE PIPING  
EBARA 80 DLKFU PUMP

NOTE:  
CONDUIT TO CONTROL  
PANEL (BY OTHERS)  
MINIMUM  
(1) FOR POWER  
(1) FOR LEVEL SENSING

ALL MATERIALS SHOWN ON THIS SHEET WILL BE SUPPLIED BY ROMTEC UTILITIES AND DELIVERED TO THE SITE AFTER THE HOLE HAS BEEN EXCAVATED AND SHORED. THE CONTRACTOR SHALL SUPPLY A CRANE OF SUFFICIENT SIZE TO LOWER ALL THE CONCRETE PIECES INTO THE HOLE SAFELY. THE CONTRACTOR SHALL INSTALL THE WET WELL (AND VALVE VAULT AND METERING VAULT IF APPLICABLE). ROMTEC UTILITIES WILL PROVIDE A REPRESENTATIVE FOR TECHNICAL ASSISTANCE ON THE DAY OF INSTALLATION TO ANSWER ANY QUESTIONS THAT MAY ARISE. THE CONTRACTOR IS RESPONSIBLE FOR ALL PLUMBING AND ELECTRICAL CONNECTIONS AND INSTALLATION. ITEMS NOTED AS "BY OTHERS" WILL BE PROVIDED AND INSTALLED BY THE CONTRACTOR. ROMTEC UTILITIES WILL NOT INSTALL ANY OF THE COMPONENTS SHOWN ON THIS PAGE.

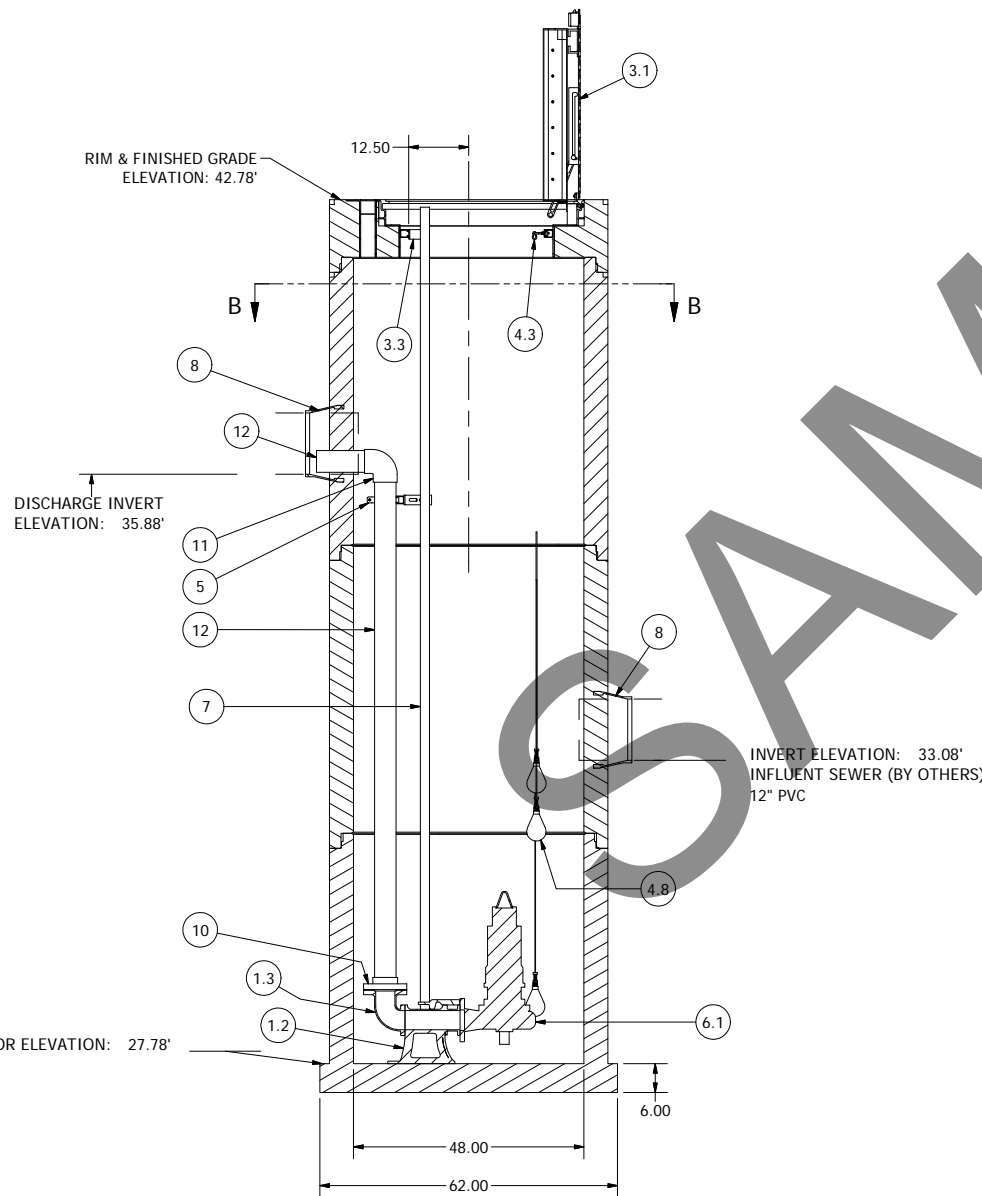
© 2015 ROMTEC INC. ALL RIGHTS RESERVED. THESE PLANS AND DRAWINGS MAY NOT BE REPRODUCED, ADAPTED, OR FURTHER DISTRIBUTED, AND NO COMPONENTS MAY BE CONSTRUCTED FROM THESE PLANS, WITHOUT WRITTEN PERMISSION OF ROMTEC, INC.



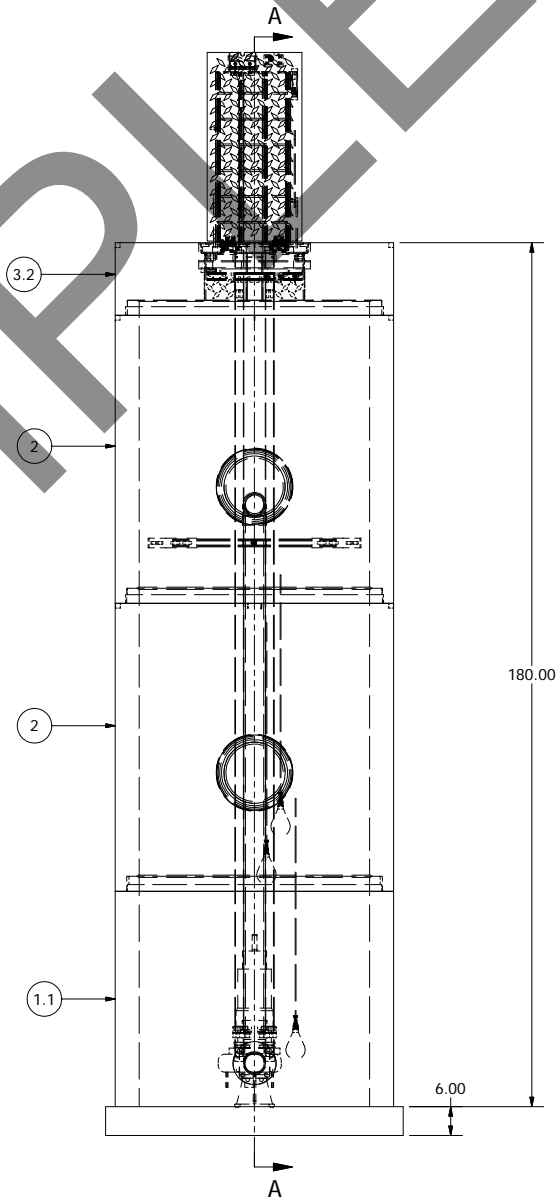
TOP VIEW  
SECTION B-B  
SCALE 1 / 20

HATCH OPENING  
28" x 19" CLEAR

NOTE: WET WELL TOP SLAB IS H-20 OCCASIONAL TRAFFIC RATED



PROFILE VIEW  
SECTION A-A  
SCALE 1 / 20



FRONT VIEW  
SCALE 1 / 20

NOTE: ALL DIMENSIONS AND ELEVATIONS SHOWN ARE NOMINAL DIMENSIONS. IT IS THE RESPONSIBILITY OF THE ON-SITE CONTRACTOR OR ROMTEC UTILITIES CUSTOMER (NOT ROMTEC UTILITIES) TO VERIFY THE ACCURACY OF ANY CRITICAL DIMENSIONS OR ELEVATIONS PRIOR TO SETTING OR INSTALLING ANY EQUIPMENT.

REV	DESCRIPTION	DATE	APPROV
0	INITIAL DESIGN	8-24-15	KB
1	REVISED PER COMMENTS	9-9-15	AD
2	NEW PUMPS	2-12-16	AD
2.1	MINOR EDIT - INCORRECT LABEL	4-8-16	KB
3	REVISED HATCH TO EJ AND CHANGED DIMENSIONS	4-20-16	AD

VERIFY SCALE  
BAR IS ONE INCH ON ORIGINAL DRAWING  
1" = 1'-0"  
IF NOT ONE INCH ON THIS SHEET, ADJUST SCALES ACCORDINGLY  
DSN - KEVIN BOGAN  
DIRN - KEVIN BOGAN  
CKD - KEVIN BOGAN  
DATE - 8-24-15

COMPONENT DRAWING



MRCFAC L33 (88th STREET) C008  
WET WELL ASSEMBLY

SHEET  
1 OF 1

JOB NUMBER  
RMTC  
0000