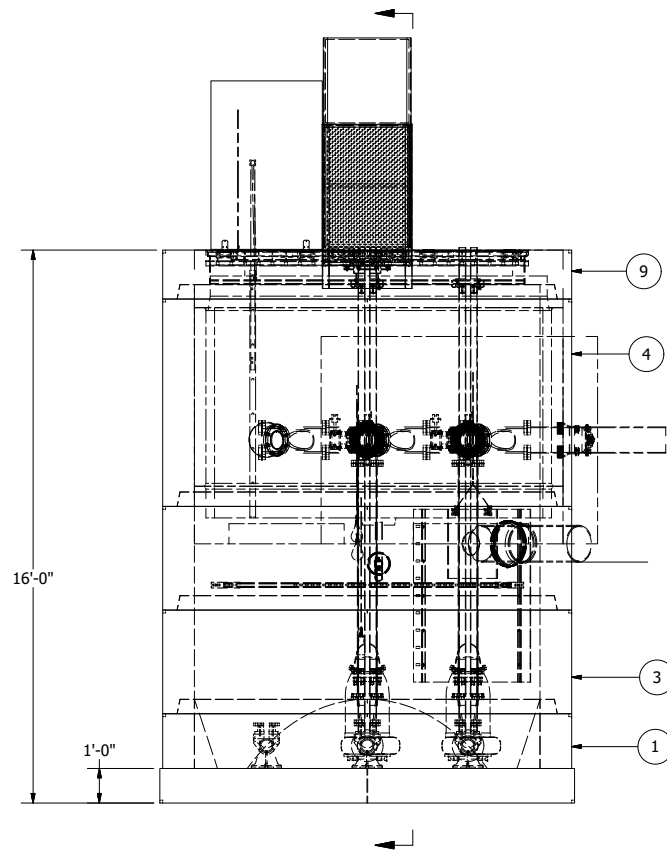
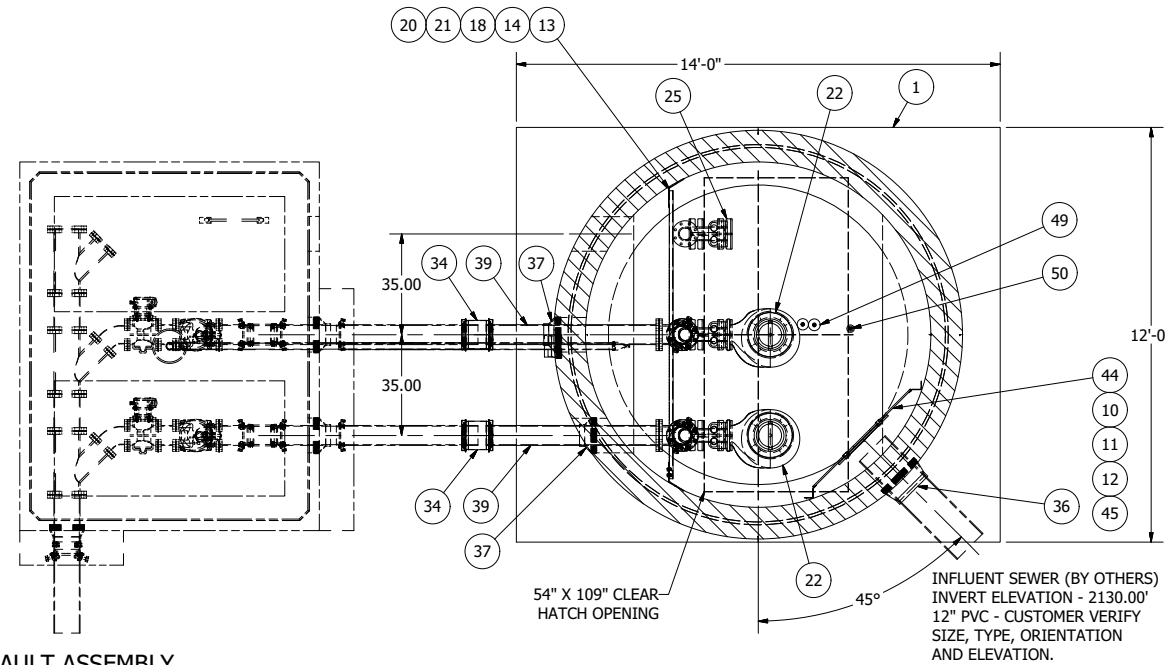
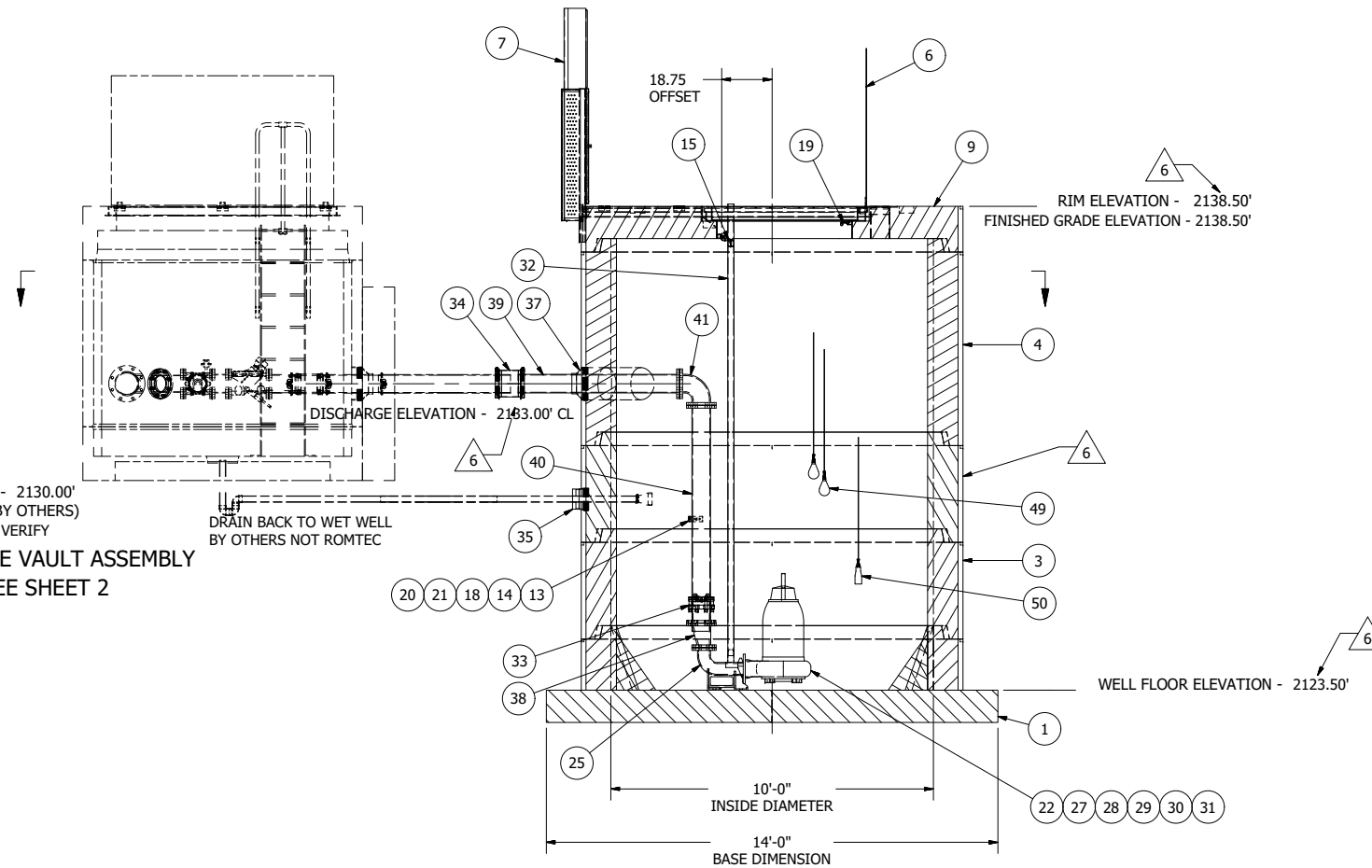


810 VALVE VAULT ASSEMBLY  
SEE SHEET 2



INVERT ELEVATION - 2130.00'  
INFLUENT SEWER (BY OTHERS)  
12" PVC - CUSTOMER VERIFY

810 VALVE VAULT ASSEMBLY  
SEE SHEET 2



DRAIN BACK TO WET WELL  
BY OTHERS NOT ROMTEC

NOTE: ALL DIMENSIONS AND ELEVATIONS SHOWN ARE NOMINAL DIMENSIONS. IT IS THE RESPONSIBILITY OF THE ON-SITE CONTRACTOR OR ROMTEC UTILITIES CUSTOMER (NOT ROMTEC UTILITIES) TO VERIFY THE ACCURACY OF ANY CRITICAL DIMENSIONS OR ELEVATIONS PRIOR TO SETTING OR INSTALLING ANY EQUIPMENT.

**10'DIAMETER WET WELL  
6" DISCHARGE PIPING  
NP3171 FLYGT PUMPS  
6" - 810 VALVE VAULT**

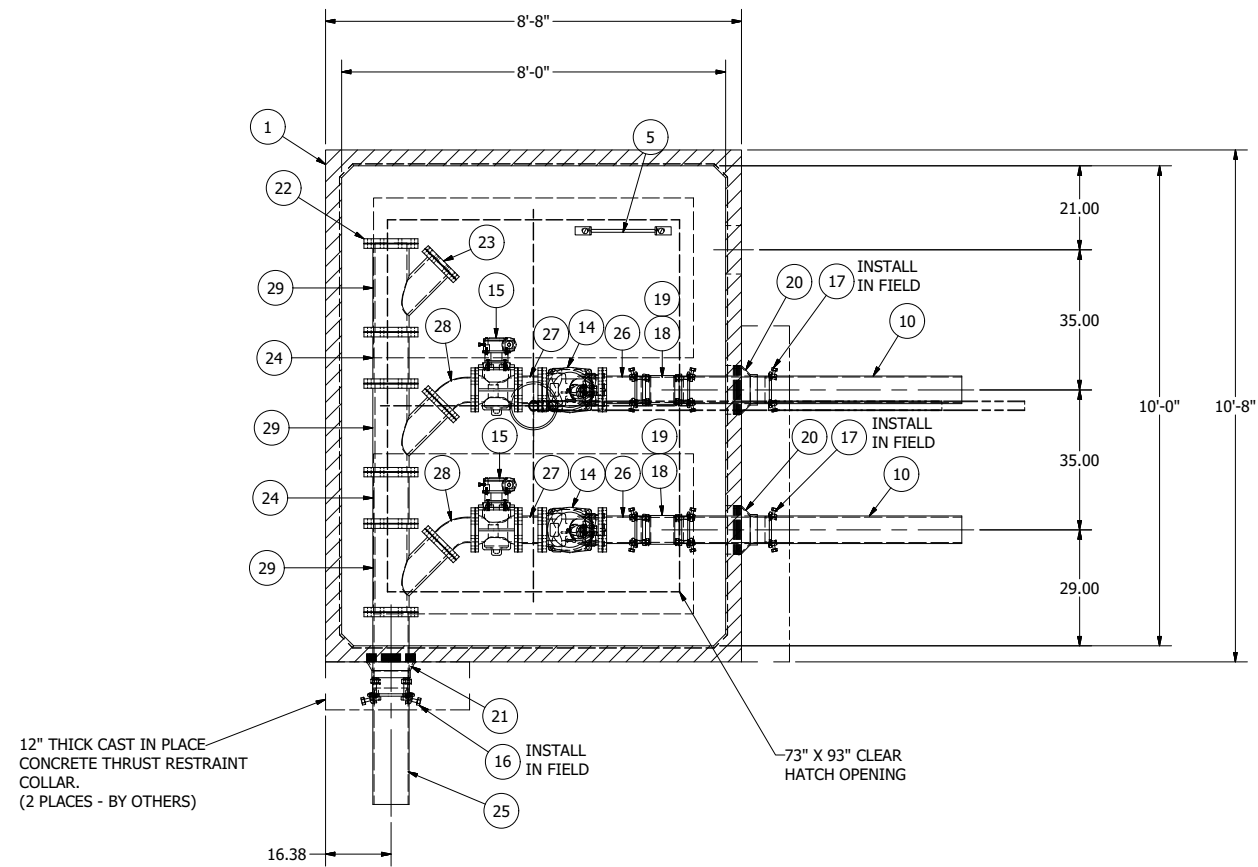
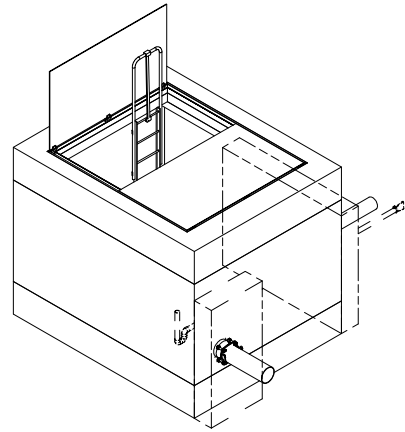
ALL MATERIALS SHOWN ON THIS SHEET WILL BE SUPPLIED BY ROMTEC UTILITIES AND DELIVERED TO THE SITE AFTER THE HOLE HAS BEEN EXCAVATED AND SHORED. THE CONTRACTOR SHALL SUPPLY A CRANE OF SUFFICIENT SIZE TO LOWER ALL THE CONCRETE PIECES INTO THE HOLE SAFELY. THE CONTRACTOR SHALL INSTALL THE WET WELL (AND VALVE VAULT AND METERING VAULT IF APPLICABLE). ROMTEC UTILITIES WILL PROVIDE A REPRESENTATIVE FOR TECHNICAL ASSISTANCE ON THE DAY OF INSTALLATION TO ANSWER ANY QUESTIONS THAT MAY ARISE. THE CONTRACTOR IS RESPONSIBLE FOR ALL PLUMBING AND ELECTRICAL CONNECTIONS AND INSTALLATION. ITEMS NOTED AS "BY OTHERS" WILL BE PROVIDED AND INSTALLED BY THE CONTRACTOR. ROMTEC UTILITIES WILL NOT INSTALL ANY OF THE COMPONENTS SHOWN ON THIS PAGE.

REV	DESCRIPTION	DATE	APPROV
1	COMPONENT DRAWING	03/12/10	AM
2	PUMP WAS 3202	3/15/10	AD
3	REVISED FOR SUBMITTAL	03/19/10	AM
4	CUSTOMER	03/29/10	AM
5	INCORPORATED DESIGN CHANGES PER PRODUCTION LAUNCH UPDATE	04/06/10	AD
6	UPDATE PER ACTUAL ELEVATIONS ON SITE	5/5/10	AD

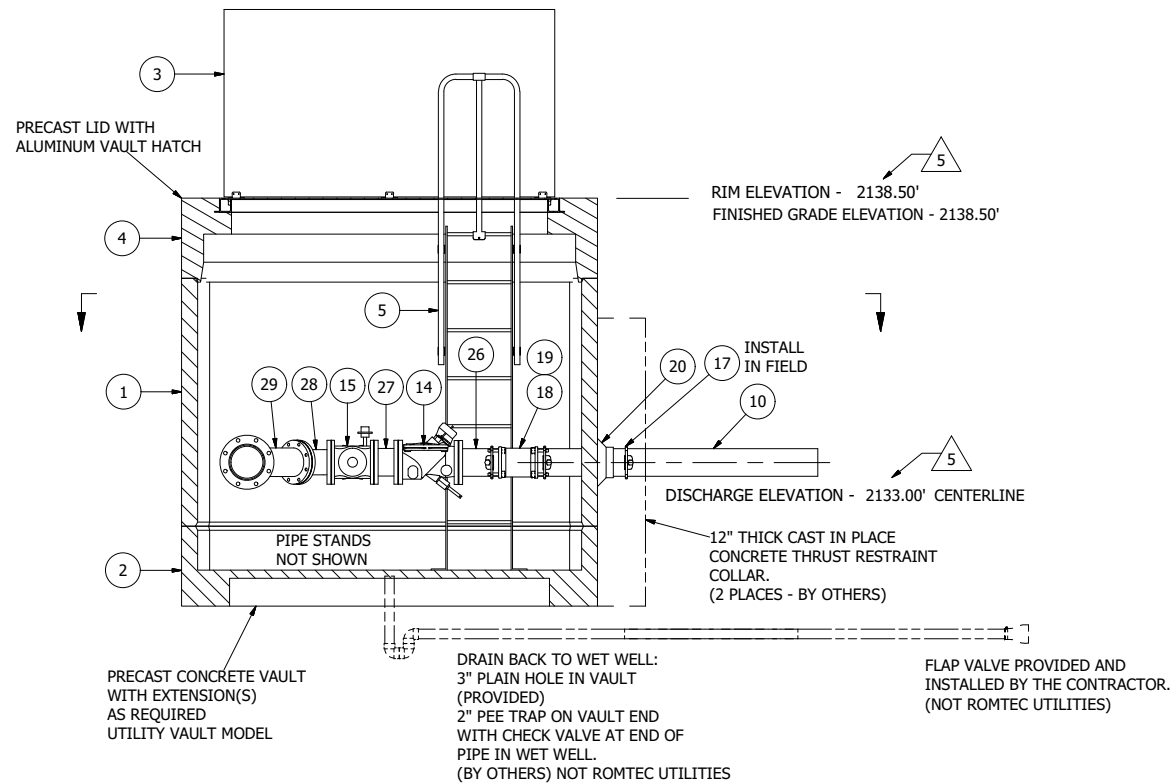
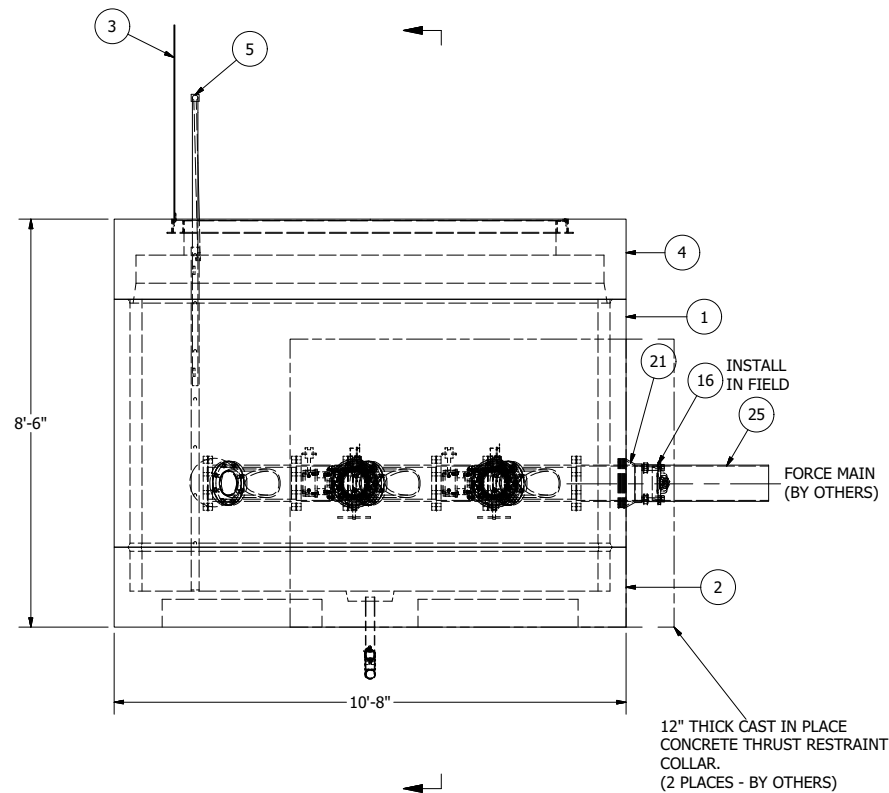
**COMPONENT  
DRAWING**

**ROMTEC  
UTILITIES**  
18240 NORTH BANK ROAD  
ROSEBURG, OREGON 97470  
(541) 496-9678  
FAX (541) 496-0804

LAURA HAGGARD  
**SUNCADIA**  
**6" - 10' DIA WET WELL**



**NOTE: VAULT TOP SLAB IS H-20 OCCASIONAL RATED**



**810 VALVE VAULT  
6" TO 8" PIPING AND VALVES**

NOTE: ALL DIMENSIONS AND ELEVATIONS SHOWN ARE NOMINAL DIMENSIONS. IT IS THE RESPONSIBILITY OF THE ON-SITE CONTRACTOR OR ROMTEC UTILITIES CUSTOMER (NOT ROMTEC UTILITIES) TO VERIFY THE ACCURACY OF ANY CRITICAL DIMENSIONS OR ELEVATIONS PRIOR TO SETTING OR INSTALLING ANY EQUIPMENT.

© 2010 ROMTEC INC. ALL RIGHTS RESERVED. THESE PLANS AND DRAWINGS MAY NOT BE REPRODUCED, ADAPTED, OR FURTHER DISTRIBUTED, AND NO COMPONENTS MAY BE CONSTRUCTED FROM THESE PLANS, WITHOUT WRITTEN PERMISSION OF ROMTEC, INC.

REV	DESCRIPTION	DATE	APPROV
5	NEW ELEVATIONS	5/5/10	AD
4	PRODUCTION LAUNCH UPDATE	04/06/10	AD
3	INCORPORATED DESIGN CHANGES PER CUSTOMER	03/29/10	AM
2	REVISED FOR SUBMITTAL	03/19/10	AM
1	COMPONENT DRAWING	03/12/10	AM

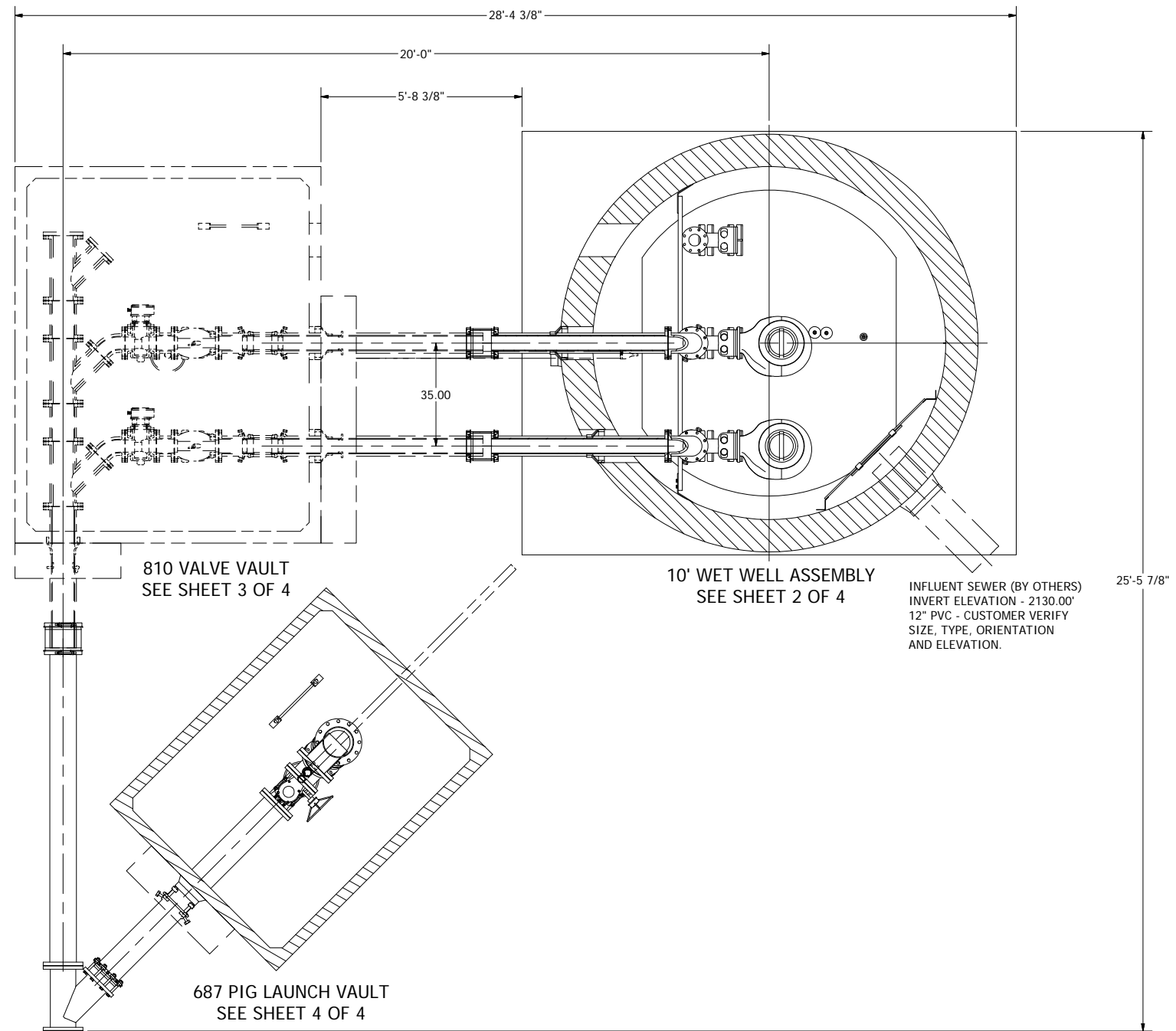
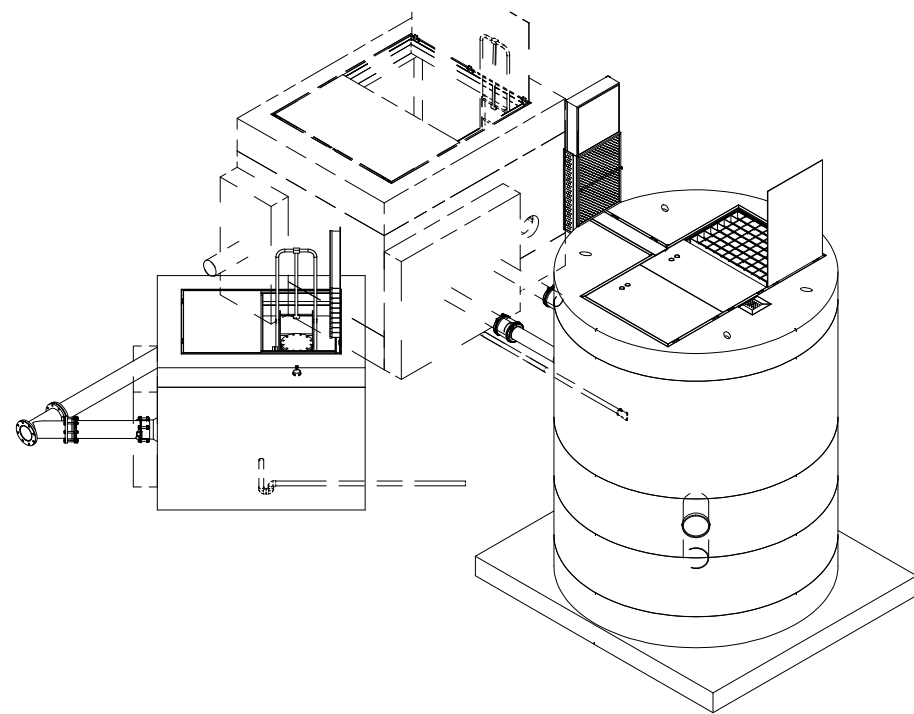
**COMPONENT DRAWING**

**ROMTEC UTILITIES**  
18240 NORTH BANK ROAD  
ROSEBURG, OREGON 97470  
(541) 496-9678  
FAX (541) 496-0804

LAURA HAGGARD  
**SUNCADIA**  
6" - 810 VALVE VAULT

SHEET  
**3 OF 4**

JOB NUMBER  
**RMTC  
0000**



810 VALVE VAULT  
SEE SHEET 3 OF 4

10' WET WELL ASSEMBLY  
SEE SHEET 2 OF 4

INFLUENT SEWER (BY OTHERS)  
INVERT ELEVATION - 2130.00'  
12" PVC - CUSTOMER VERIFY  
SIZE, TYPE, ORIENTATION  
AND ELEVATION.

687 PIG LAUNCH VAULT  
SEE SHEET 4 OF 4

© 2010 ROMTEC INC. ALL RIGHTS RESERVED. THESE PLANS AND DRAWINGS MAY NOT BE REPRODUCED, ADAPTED, OR FURTHER DISTRIBUTED, AND NO COMPONENTS MAY BE CONSTRUCTED FROM THESE PLANS, WITHOUT WRITTEN PERMISSION OF ROMTEC, INC.

NOTE: ALL DIMENSIONS AND ELEVATIONS SHOWN ARE NOMINAL DIMENSIONS. IT IS THE RESPONSIBILITY OF THE ON-SITE CONTRACTOR OR ROMTEC UTILITIES CUSTOMER (NOT ROMTEC UTILITIES) TO VERIFY THE ACCURACY OF ANY CRITICAL DIMENSIONS OR ELEVATIONS PRIOR TO SETTING OR INSTALLING ANY EQUIPMENT.

VERIFY SCALE  
BAR IS ONE INCH ON ORIGINAL DRAWING  
1"  
IF NOT ONE INCH ON THIS SHEET ADJUST SCALES PROPORTIONALLY  
0  
ELEVATION UPDATE  
INCORPORATED DESIGN CHANGES PER CUSTOMER  
COMPONENT DRAWING LAYOUT  
REVISION HISTORY

DSN - AM  
DRN - AM  
CKD -  
DATE - 03/26/10  
REV  
DATE  
APPROV

**ROMTEC UTILITIES**  
18240 NORTH BANK ROAD  
ROSEBURG, OREGON 97470  
(541) 496-9678  
FAX (541) 496-0804

LAURA HAGGARD  
**SUNCADIA**  
PUMP STATION PLAN VIEW

SHEET  
**1 OF 4**

JOB NUMBER  
**RMTC  
0000**