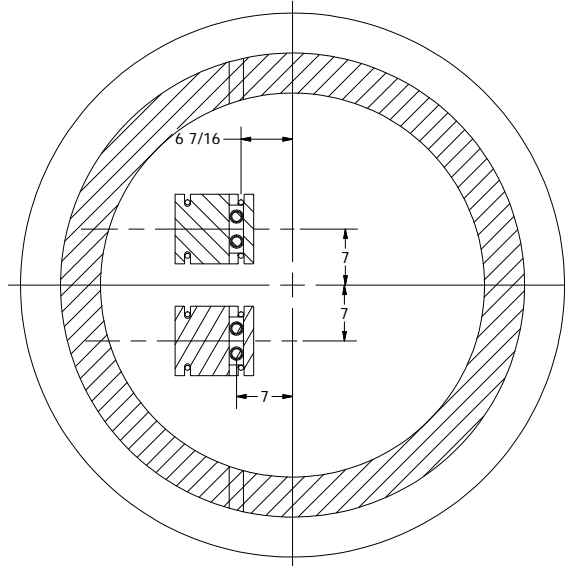
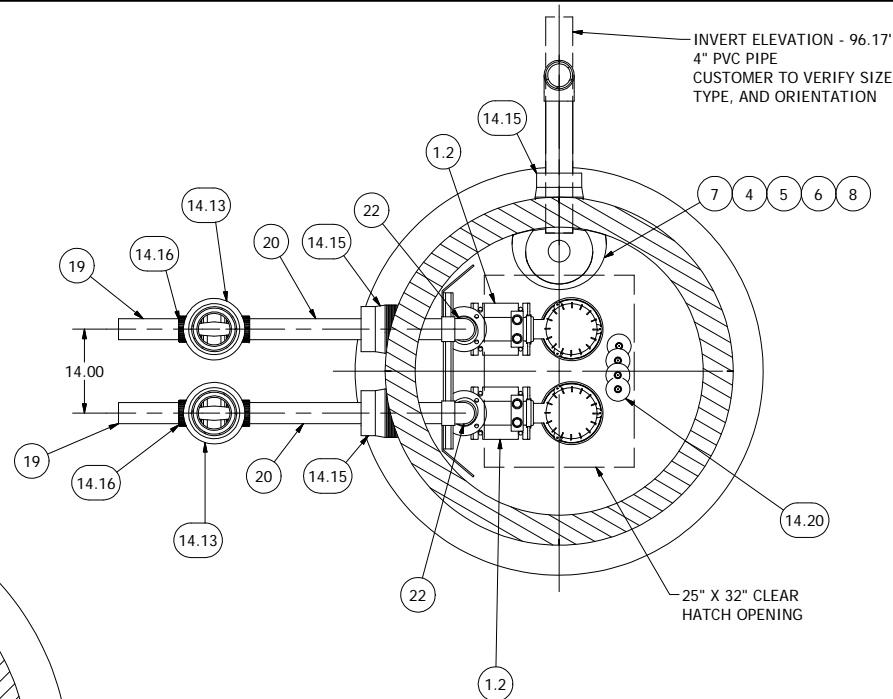


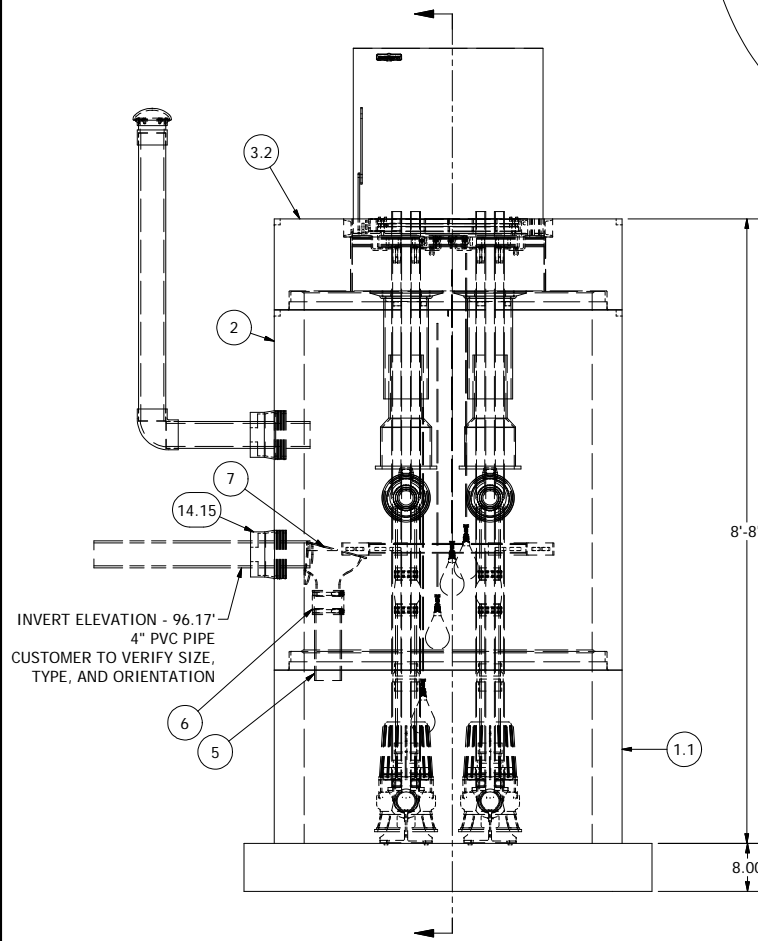
SENSOR AND ELEVATION TABLE		
LEVEL ELEVATION	DISTANCE BETWEEN POINTS	SET POINT DESCRIPTION
96.17		INVERT IN
N/A		BACK UP PUMPS START
	N/A	SENSOR SPACING
N/A		BACK UP PUMPS STOP
	N/A	SENSOR SPACING
N/A		BACK UP HL ALARM
96.33		HIGH LEVEL ALARM
	0.50	SENSOR SPACING
95.83		LAG PUMP START
	0.50	SENSOR SPACING
95.33		LEAD PUMP START
	1.00	SENSOR SPACING
94.33		PUMP STOP
	2.00	DISTANCE TO FLOOR
92.33		FLOOR ELEVATION



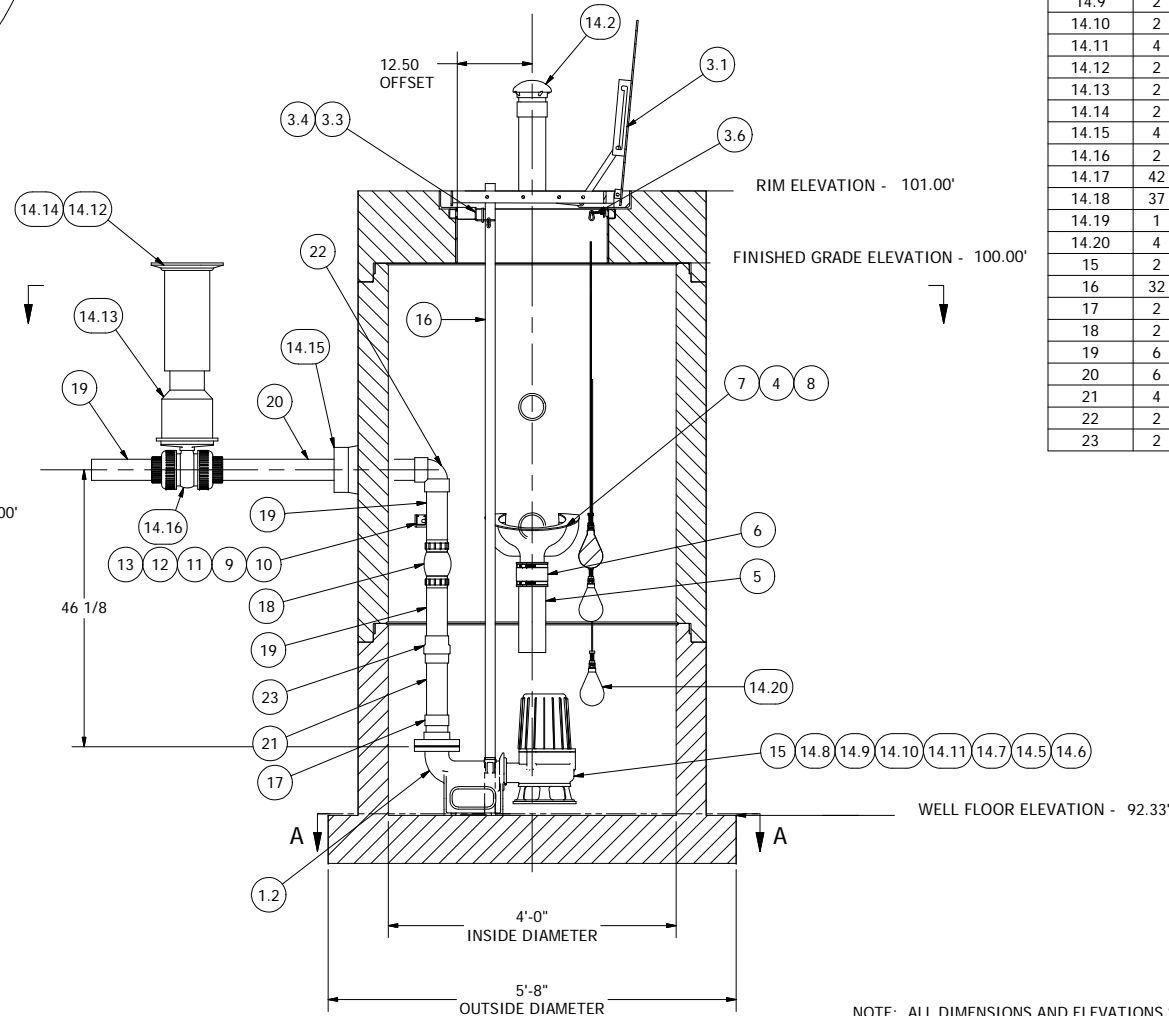
SECTION A-A
SCALE 1/12
ANCHOR BOLT LAYOUT



NOTE: WET WELL TOP SLAB IS PEDESTRIAN RATED



DISCHARGE ELEVATION - 97.00'



WELL FLOOR ELEVATION - 92.33'

NOTE: ALL DIMENSIONS AND ELEVATIONS SHOWN ARE NOMINAL DIMENSIONS. IT IS THE RESPONSIBILITY OF THE ON-SITE CONTRACTOR OR ROMTEC UTILITIES CUSTOMER (NOT ROMTEC UTILITIES) TO VERIFY THE ACCURACY OF ANY CRITICAL DIMENSIONS OR ELEVATIONS PRIOR TO SETTING OR INSTALLING ANY EQUIPMENT.

Parts List			
ITEM	QTY	STOCK NUMBER	DESCRIPTION
1	1	10-XXXX	BASE ASSEMBLY
1.1	1	10-6208	BASE - WW - 4ft - FLAT BASE - 68in DIA
1.2	2	31-4092	DISCHARGE ELBOW - 3in - TSURUMI
1.3	2	31-6040	ANCHOR KIT - DISCHARGE ELBOW
1.4	2	47-5256	GASKET - FLANGE - 3in X 1/8in
2	1	12-6464	BARREL - 4ft DIA X 5ft H
3	1	14-XXXX	TOP SLAB ASSEMBLY
3.1	1	13-5341	HATCH - WW - 4ft PED - 54731 - 25 X 32
3.2	1	14-6213	TOP SLAB - WW - 4ft PED
3.3	2	18-4047	BRACKET - UPPER GUIDE BAR - 1.25in SS
3.4	2	18-4661	SPACER - 3in - UPPER GUIDE BAR BRACKET
3.5	2	18-6031	BOLT & NUT KIT - UPPER GUIDE BAR BRACKET - 3-8in
3.6	4	18-6115	CABLE HANGER ASSEMBLY
4	2	15-5132	ANCHOR - DROP BOWL
5	1	15-5133	DROP BOWL PIPE - SDR35 - 4in X 12in
6	1	15-5134	COUPLING - FERNCO - 4in
7	1	15-5399	DROP BOWL - 4in thru 6in INLET - 4in OUTLET - A4DB
8	1	15-5407	BRACKET - PIPE - 4SS35 - 4in SDR35
9	2	18-5138	DISCHARGE CLAMP - TOLSTRUT - 3in 316SS
10	1	18-5145	DISCHARGE PIPE SUPPORT - UNISTRUT
11	1	18-6009	DISCHARGE PIPE SUPPORT - WALL BRACKET SET
12	2	18-FAST	DISCHARGE CLAMP BOLT - 1-2 X 1 SS BOLT, WASHER, FIBER LOCK NUT
13	1	18-FAST	DISCHARGE PIPE SUPPORT - BOLT KIT
14	1	18-XXXX	SHIPPING CRATE
14.1	2	12-ROM	BARREL GASKET
14.2	1	18-5157	4 INCH PVC VENT
14.2.1	1	18-5427	VENT - MUSHROOM CAP
14.2.2	1	48-5455	ADAPTOR - 4in SCH80 - MALE THD X SLIP
14.2.3	1	48-5464	4in PVC - SCH 80 X 24in
14.2.4	1	48-6264	4 INCH PVC - SCH 40 X 48in
14.2.5	1	48-6266	ELBOW - PVC - 4in SCH 80 - 90 DEGREE - SLIP X SLIP
14.3	2	18-6248	LIFTING EYE - PRESS SEAL
14.4	1	25-XXXX	VALVE KEY - 6ft GATE WRENCH CUSTOM
14.5	2	32-4642	CORD GRIP - .41 - .50 SS
14.6	2	32-4643	CORD GRIP - .46 - .56 SS
14.7	1	32-4673	PUMP LIFTING EYE
14.8	2	32-5942	BOW SHACKLE - 3-8in - SS W-SCREW PIN
14.9	2	32-5943	BOW SHACKLE - 1-2in - SS W-SCREW PIN
14.10	2	32-6354	LIFTING SLING - .125in SS CABLE 2 @ 11ft
14.11	4	32-6600	CHAIN - S5 9-32in 316SS 2 @ 2ft
14.12	2	41-5139	VALVE BOX - 10in TOP - #910
14.13	2	41-5142	VALVE BOX - BASE - #931 5X12
14.14	2	41-5143	VALVE BOX - LID - #910
14.15	4	43-5186	KOR-N-SEAL - 8in CORE -1.70 THRU 4.80 PIPE
14.16	2	48-XXXX	VALVE - BALL - SCH80 PVC - 1-4 TURN - 3in
14.17	42	51-5510	SEALANT - .75in X .75in X 21ft CS-202
14.18	37	51-5949	TAPECOAT - 6in X .65mils X LFT
14.19	1	51-ROM	NEVER SIEZE - TUBE
14.20	4	60-4574	FLOAT - NOLTA - MS1 - 20m
15	2	30-5500	PUMP - TSURUMI - TOS 80C21.5-CR-62 - 2HP
16	32	40-4126	PIPE - 304SS - 1.25in SCH40 (4 @ 8ft)
17	2	48-4914	ADAPTER - PVC - 3in F SLIP X 3in MALE THD SCH80
18	2	48-4915	VALVE - ZOELLER CHECK - PVC - 3in
19	6	48-5463	PIPE - PVC - 3in SCH80 6 @ 12in
20	6	48-5463	PIPE - PVC - 3in SCH80 2 @ 3ft
21	4	48-XXXX	PIPE - PVC - 3in SCH80 2 @ 24in
22	2	48-XXXX	ELBOW - PVC - 3in SCH80 - 90 DEG - SLIP X SLIP
23	2	48-XXXX	PVC EXPANSION JOINT

4' DIAMETER WET WELL
3" DISCHARGE PIPING
TSURUMI PUMPS

ALL MATERIALS SHOWN ON THIS SHEET WILL BE SUPPLIED BY ROMTEC UTILITIES AND DELIVERED TO THE SITE AFTER THE HOLE HAS BEEN EXCAVATED AND SHORED. THE CONTRACTOR SHALL SUPPLY A CRANE OF SUFFICIENT SIZE TO LOWER ALL THE CONCRETE PIECES INTO THE HOLE SAFELY. THE CONTRACTOR SHALL INSTALL THE WET WELL (AND VALVE VAULT AND METERING VAULT IF APPLICABLE). ROMTEC UTILITIES WILL PROVIDE A REPRESENTATIVE FOR TECHNICAL ASSISTANCE ON THE DAY OF INSTALLATION TO ANSWER ANY QUESTIONS THAT MAY ARISE. THE CONTRACTOR IS RESPONSIBLE FOR ALL PLUMBING AND ELECTRICAL CONNECTIONS AND INSTALLATION. ITEMS NOTED AS "BY OTHERS" WILL BE PROVIDED AND INSTALLED BY THE CONTRACTOR. ROMTEC UTILITIES WILL NOT INSTALL ANY OF THE COMPONENTS SHOWN ON THIS PAGE.

© 2013 ROMTEC INC. ALL RIGHTS RESERVED. THESE PLANS AND DRAWINGS MAY NOT BE REPRODUCED, ADAPTED, OR FURTHER DISTRIBUTED, AND NO COMPONENTS MAY BE CONSTRUCTED FROM THESE PLANS, WITHOUT WRITTEN PERMISSION OF ROMTEC, INC.

REV	DESCRIPTION	DATE	APPROV
4	REVISED GUIDE BARS TO 1-1/4in AS BUILT	10/3/13	AD
3	REVISED INLET ORIENTATION PER COMMENTS	8/20/13	AD
2	REVISED FOR PRODUCTION LAUNCH	8/6/13	AD
1	REVISED TO 2HP PUMPS AND INLET ELEV. CHANGE	8/17/13	AD

VERIFY SCALE
BAR IS ONE INCH ON ORIGINAL DRAWING
1"
0
IF NOT ONE INCH ON THIS SHEET, ADJUST SCALES APPROPRIATELY
DSN - NG
DIRN - NG
CKD - AD
DATE - 4/3/13

COMPONENT DRAWING

18240 NORTH BANK ROAD
ROSEBURG, OREGON 97470
(541) 496-9678
FAX (541) 496-0804

VALLEY FINE FOODS
3" - 4' DIA WET WELL