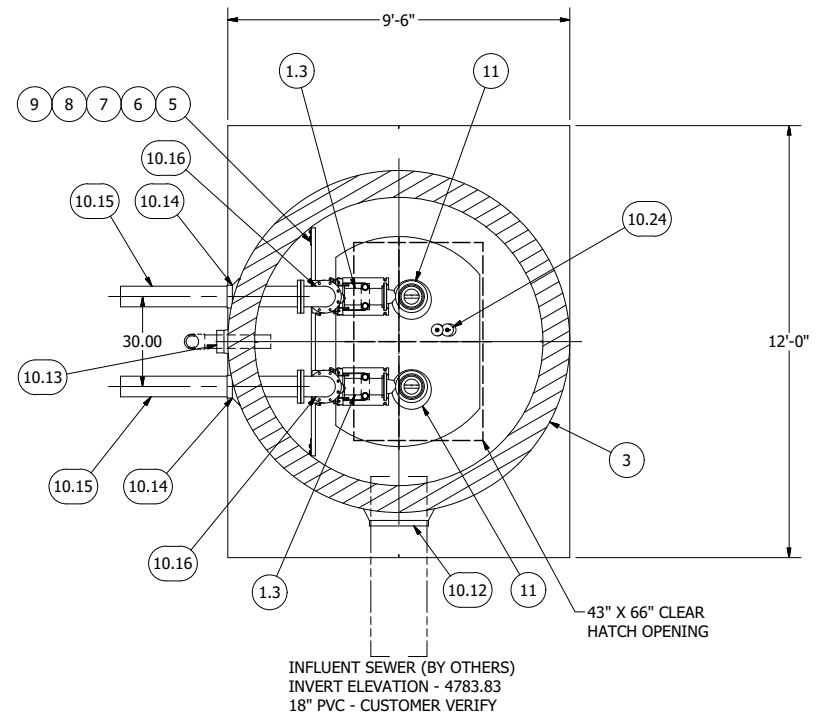
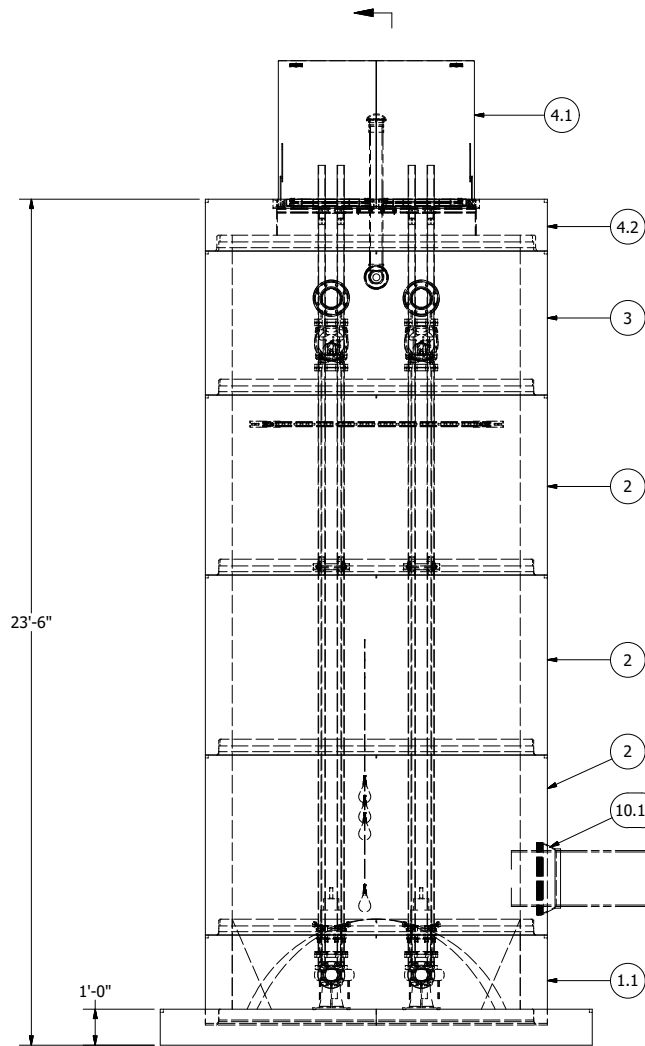


ANCHOR BOLT LAYOUT



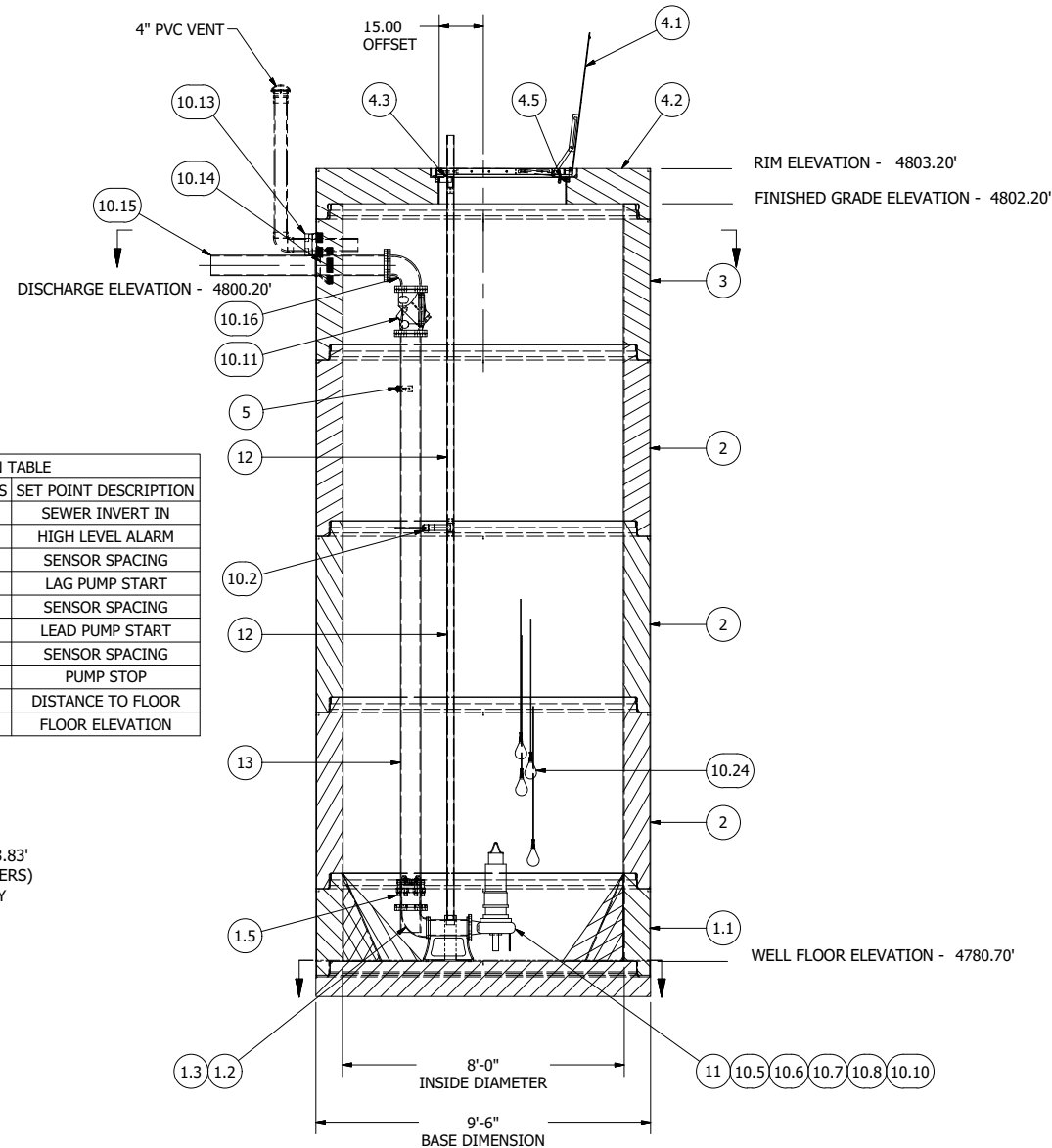
INFLUENT SEWER (BY OTHERS)
INVERT ELEVATION - 4783.83
18" PVC - CUSTOMER VERIFY

NOTE: WET WELL TOP SLAB IS PEDESTRIAN RATED



SENSOR AND ELEVATION TABLE		
LEVEL ELEVATION	DISTANCE BETWEEN POINTS	SET POINT DESCRIPTION
4783.83		SEWER INVERT IN
4789.95		HIGH LEVEL ALARM
4789.45	0.50	SENSOR SPACING
4789.45		LAG PUMP START
4788.95	0.50	SENSOR SPACING
4788.95		LEAD PUMP START
4783.20	5.75	SENSOR SPACING
4783.20		PUMP STOP
4780.70	2.50	DISTANCE TO FLOOR
4780.70		FLOOR ELEVATION

INVERT ELEVATION - 4783.83'
INFLUENT SEWER (BY OTHERS)
18" PVC - CUSTOMER VERIFY



NOTE: ALL DIMENSIONS AND ELEVATIONS SHOWN ARE NOMINAL DIMENSIONS. IT IS THE RESPONSIBILITY OF THE ON-SITE CONTRACTOR OR ROMTEC UTILITIES CUSTOMER (NOT ROMTEC UTILITIES) TO VERIFY THE ACCURACY OF ANY CRITICAL DIMENSIONS OR ELEVATIONS PRIOR TO SETTING OR INSTALLING ANY EQUIPMENT.

8' DIAMETER WET WELL 6" DISCHARGE PIPING EBARA PUMPS

ALL MATERIALS SHOWN ON THIS SHEET WILL BE SUPPLIED BY ROMTEC UTILITIES AND DELIVERED TO THE SITE AFTER THE HOLE HAS BEEN EXCAVATED AND SHORED. THE CONTRACTOR SHALL SUPPLY A CRANE OF SUFFICIENT SIZE TO LOWER ALL THE CONCRETE PIECES INTO THE HOLE SAFELY. THE CONTRACTOR SHALL INSTALL THE WET WELL (AND VALVE VAULT AND METERING VAULT IF APPLICABLE). ROMTEC UTILITIES WILL PROVIDE A REPRESENTATIVE FOR TECHNICAL ASSISTANCE ON THE DAY OF INSTALLATION TO ANSWER ANY QUESTIONS THAT MAY ARISE. THE CONTRACTOR IS RESPONSIBLE FOR ALL PLUMBING AND ELECTRICAL CONNECTIONS AND INSTALLATION. ITEMS NOTED AS "BY OTHERS" WILL BE PROVIDED AND INSTALLED BY THE CONTRACTOR. ROMTEC UTILITIES WILL NOT INSTALL ANY OF THE COMPONENTS SHOWN ON THIS PAGE.

© 2011 ROMTEC INC. ALL RIGHTS RESERVED. THESE PLANS AND DRAWINGS MAY NOT BE REPRODUCED, ADAPTED, OR FURTHER DISTRIBUTED, AND NO COMPONENTS MAY BE CONSTRUCTED FROM THESE PLANS, WITHOUT WRITTEN PERMISSION OF ROMTEC, INC.

DRAWING GEOMETRY IS ACCURATE AND FIT TO THE SHEET. DO NOT SCALE THIS DRAWING.

REV	DESCRIPTION	DATE	APPROV
2	REVISED FOR PRODUCTION LAUNCH	5/11/12	AD
1	COMPONENT DRAWING	09/03/11	AM
REV			

COMPONENT DRAWING

ROMTEC UTILITIES
18240 NORTH BANK ROAD
ROSEBURG, OREGON 97470
(541) 496-9678
FAX (541) 496-0804

PENTACOR ENGINEERING
MATT OLSEN

WALMART, GARDNERVILLE 6" - 8' DIA WET WELL

SHEET
1 OF 1

JOB NUMBER
RMTC
0000