

ISO VIEW
SCALE 1 / 24

6' DIAMETER WET WELL
6" DISCHARGE PIPING
DUPLEX EBARA DLFU PUMPS
6" DISCHARGE PIPING

FOR PRODUCTION

COLOR LEGEND

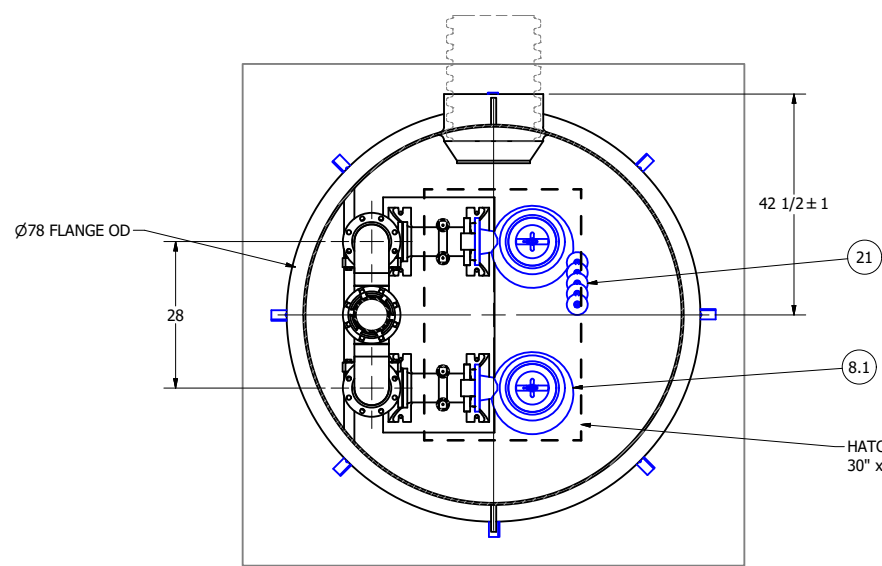
	COMPONENTS PRE-INSTALLED WITHIN BASIN. WILL ARRIVE ASSEMBLED AND CONNECTED.
	COMPONENTS PRE-ASSEMBLED TO THE EXTENT POSSIBLE BUT WILL NEED TO BE FIELD INSTALLED.

NOTE: PRE-ASSEMBLY IS DONE AT ROMTEC UTILITIES' DISCRETION AND MAY CHANGE AT THE TIME OF PRODUCTION.

NOTE: ALL DIMENSIONS AND ELEVATIONS SHOWN ARE NOMINAL DIMENSIONS. IT IS THE RESPONSIBILITY OF THE ON-SITE CONTRACTOR OR ROMTEC UTILITIES CUSTOMER (NOT ROMTEC UTILITIES) TO VERIFY THE ACCURACY OF ANY CRITICAL DIMENSIONS OR ELEVATIONS PRIOR TO SETTING OR INSTALLING ANY EQUIPMENT.

ALL MATERIALS SHOWN ON THIS SHEET WILL BE SUPPLIED BY ROMTEC UTILITIES AND DELIVERED TO THE SITE AFTER THE HOLE HAS BEEN EXCAVATED AND SHORED. THE CONTRACTOR SHALL SUPPLY A CRANE OF SUFFICIENT SIZE TO LOWER ALL THE COMPONENTS INTO THE HOLE SAFELY. THE CONTRACTOR SHALL INSTALL THE WET WELL. ROMTEC UTILITIES WILL PROVIDE A REPRESENTATIVE FOR TECHNICAL ASSISTANCE ON THE DAY OF INSTALLATION TO ANSWER ANY QUESTIONS THAT MAY ARISE. THE CONTRACTOR IS RESPONSIBLE FOR ALL PLUMBING AND ELECTRICAL CONNECTIONS AND INSTALLATION. ITEMS NOTED AS "BY OTHERS" WILL BE PROVIDED AND INSTALLED BY THE CONTRACTOR. ROMTEC UTILITIES WILL NOT FIELD INSTALL ANY OF THE COMPONENTS SHOWN ON THIS PAGE.

© 2019 ROMTEC INC. ALL RIGHTS RESERVED. THESE PLANS AND DRAWINGS MAY NOT BE REPRODUCED, ADAPTED, OR FURTHER DISTRIBUTED, AND NO COMPONENTS MAY BE CONSTRUCTED FROM THESE PLANS, WITHOUT WRITTEN PERMISSION OF ROMTEC, INC.



SECTION B-B
SCALE 1 / 18

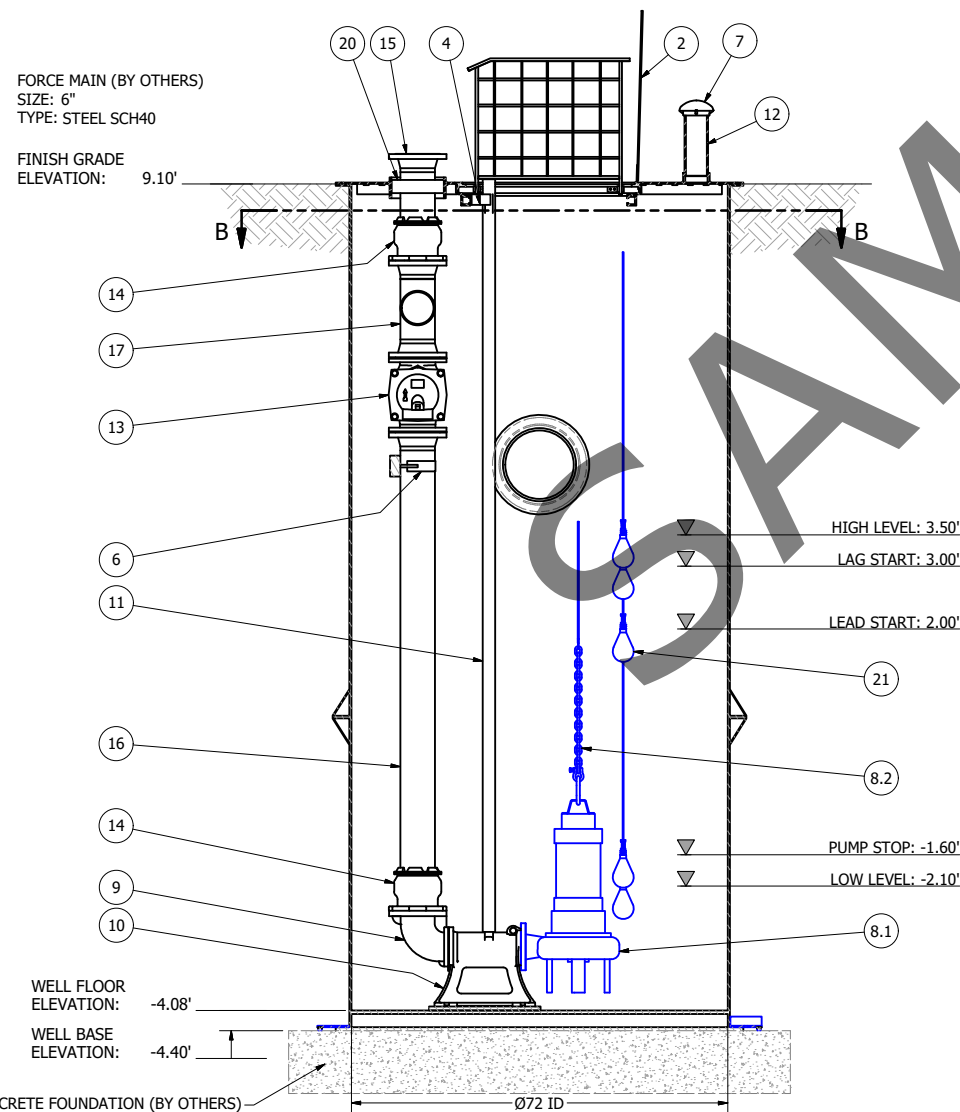
NOTE: TOP COVER AND HATCH ARE PEDESTRIAN RATED

PRIMARY SENSOR ELEVATION TABLE

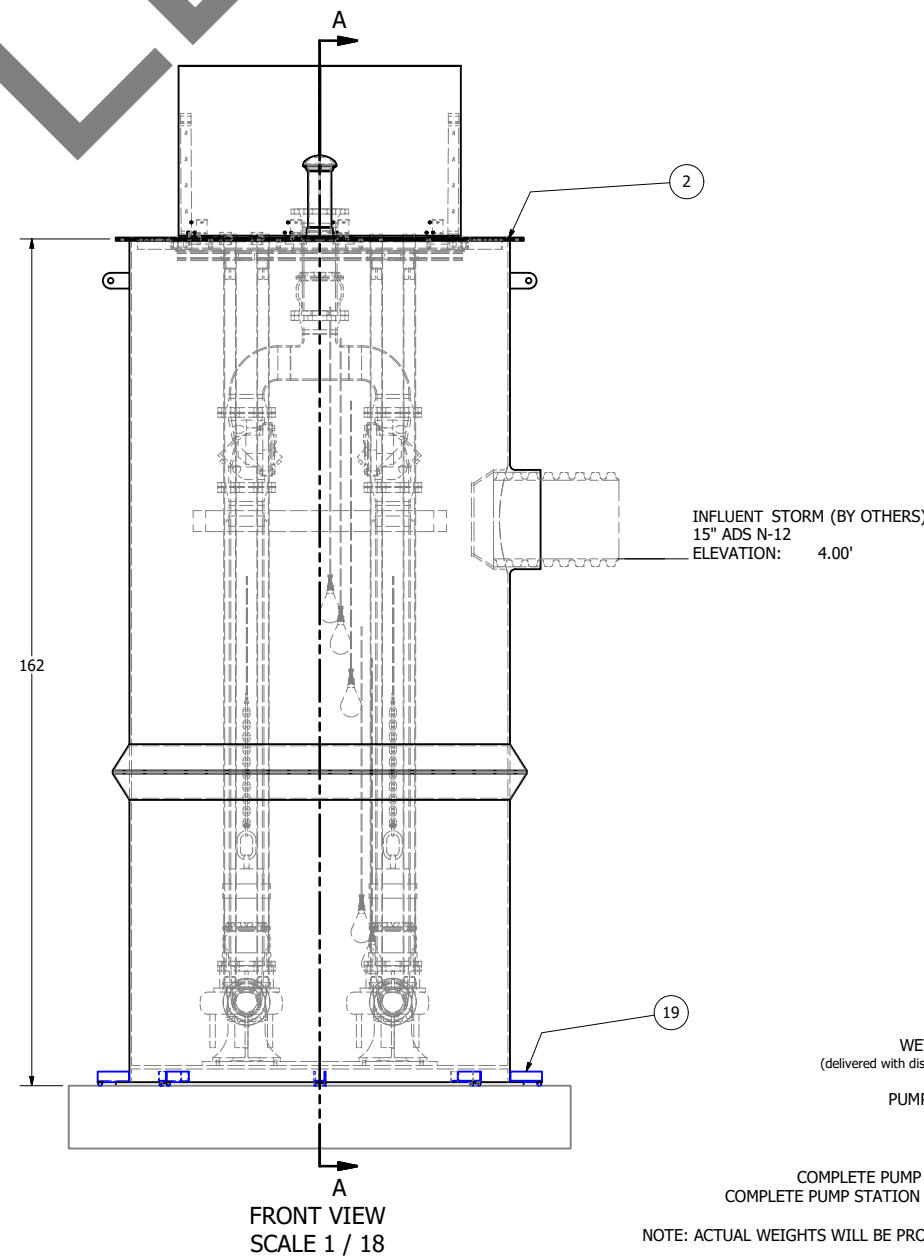
DESCRIPTION	ELEVATION	Δ
INFLUENT INVERT	4.00'	0.50'
HIGH LEVEL ALARM	3.50'	0.50'
LAG PUMP START	3.00'	1.00'
LEAD PUMP START	2.00'	3.60'
PUMP STOP	-1.60'	2.42'
WELL FLOOR	-4.08'	

MISC. ELEVATION TABLE

DESCRIPTION	ELEVATION
LOW LEVEL	-2.10'



SECTION A-A
SCALE 1 / 18



FRONT VIEW
SCALE 1 / 18

NOTE: CARBON STEEL PIPE TO BE LINED AND COATED WITH TNEC 61

ANTICIPATED WEIGHTS
WET WELL ASSEMBLY: <2950#
(delivered with discharge elbows and piping installed)
PUMP SHIPPING CRATE: <1000#
CONTROL PANEL: <400#
COMPLETE PUMP STATION (EMPTY): <3650#
COMPLETE PUMP STATION (WATER TO RIM): ~27500#
NOTE: ACTUAL WEIGHTS WILL BE PROVIDED PRIOR TO DELIVERY

VERIFY SCALE
DRAWING HAS BEEN
CHECKED FOR
SCALE ACCURACY

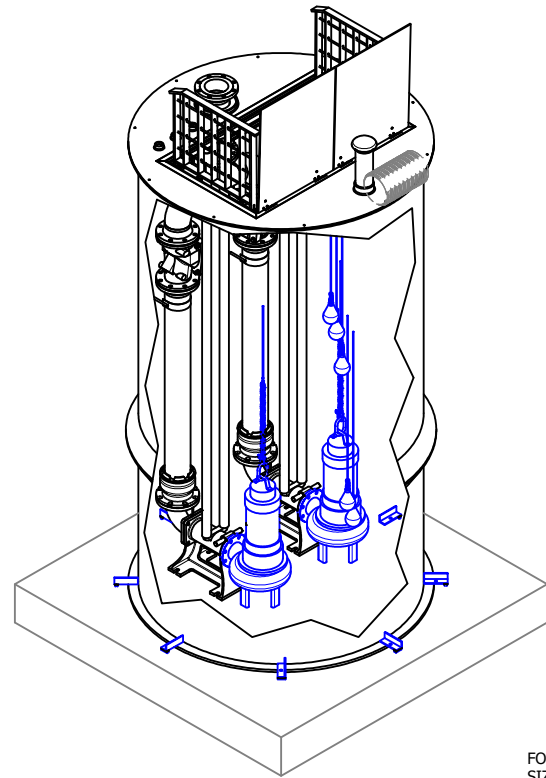
0 1"

REV	DATE	DESCRIPTION	BY
1	9/18/2019	LAUNCH	AD
0	9-5-19	ADDITIONAL DETAILING FOR DESIGN SUBMISSION	KB

DATE: 7-2-19

ROMTEC UTILITIES
18240 NORTH BANK ROAD
ROSEBURG, OREGON 97470
PHONE: (541) 496-9678
WWW.ROMTECUTILITIES.COM

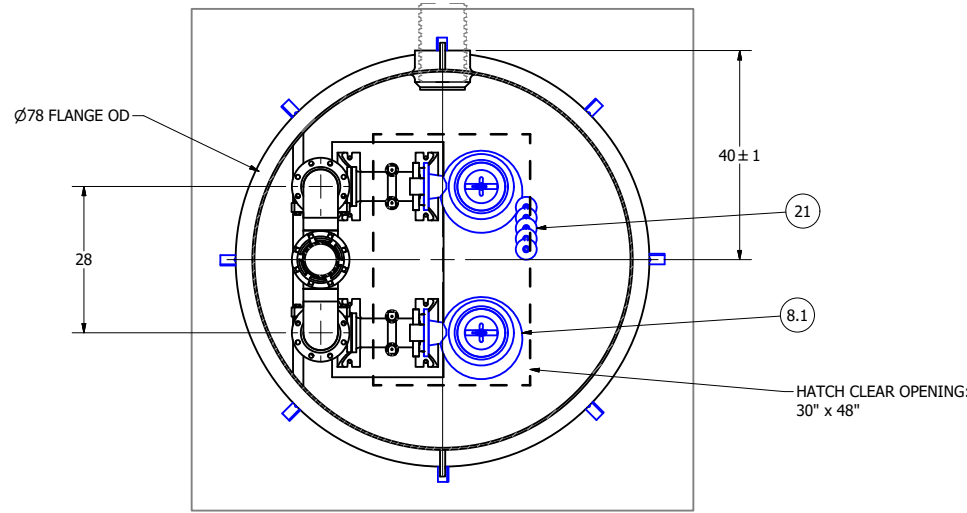
TRANS BAY CABLE CONVERTER
PITTSBURG, CA
STORMWATER PUMP STATION
QUOTE DRAWING
NORTH STATION



ISO VIEW
SCALE 1 / 24

6" DIAMETER WET WELL
6" DISCHARGE PIPING
DUPLIX EBARA DLFU PUMPS
6" DISCHARGE PIPING

FOR PRODUCTION



SECTION D-D
SCALE 1 / 18

PRIMARY SENSOR ELEVATION TABLE		
DESCRIPTION	ELEVATION	Δ
INFLUENT INVERT	5.90'	0.60'
HIGH LEVEL ALARM	5.30'	0.50'
LAG PUMP START	4.80'	1.00'
LEAD PUMP START	3.80'	3.60'
PUMP STOP	0.20'	2.42'
WELL FLOOR	-2.28'	

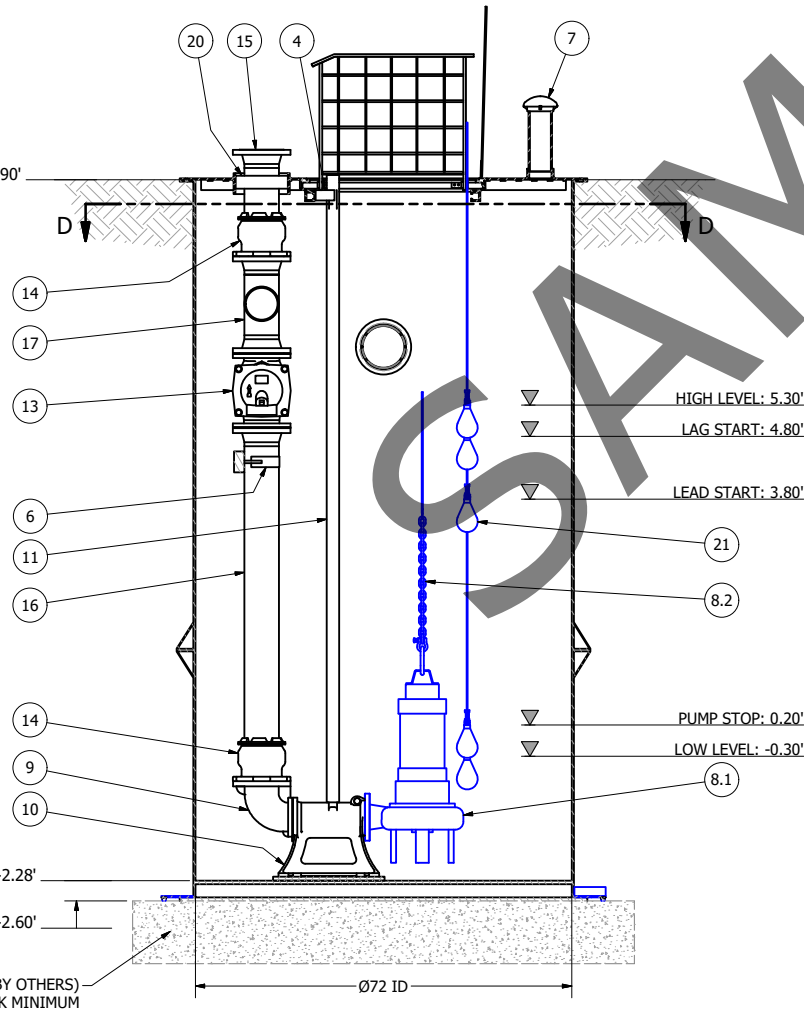
MISC. ELEVATION TABLE	
DESCRIPTION	ELEVATION
LOW LEVEL	-0.30'

NOTE: CARBON STEEL PIPE TO BE LINED AND COATED WITH TNMEC 61

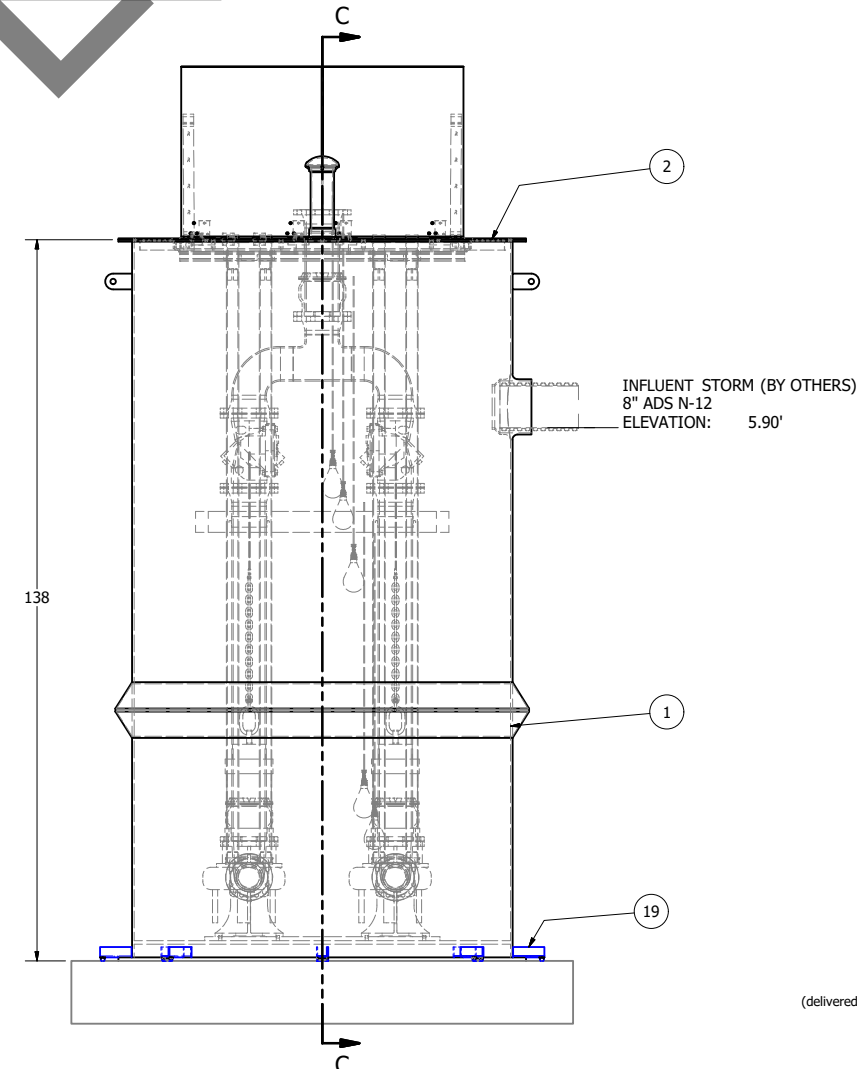
NOTE: TOP COVER AND HATCH ARE PEDESTRIAN RATED

FORCE MAIN (BY OTHERS)
SIZE: 6"
TYPE: STEEL SCH40

FINISH GRADE
ELEVATION: 8.90'



SECTION C-C
SCALE 1 / 18



FRONT VIEW
SCALE 1 / 18

COLOR LEGEND

- COMPONENTS PRE-INSTALLED WITHIN BASIN. WILL ARRIVE ASSEMBLED AND CONNECTED.
- COMPONENTS PRE-ASSEMBLED TO THE EXTENT POSSIBLE BUT WILL NEED TO BE FIELD INSTALLED.

NOTE: PRE-ASSEMBLY IS DONE AT ROMTEC UTILITIES' DISCRETION AND MAY CHANGE AT THE TIME OF PRODUCTION.
NOTE: ALL DIMENSIONS AND ELEVATIONS SHOWN ARE NOMINAL DIMENSIONS. IT IS THE RESPONSIBILITY OF THE ON-SITE CONTRACTOR OR ROMTEC UTILITIES CUSTOMER (NOT ROMTEC UTILITIES) TO VERIFY THE ACCURACY OF ANY CRITICAL DIMENSIONS OR ELEVATIONS PRIOR TO SETTING OR INSTALLING ANY EQUIPMENT.

ALL MATERIALS SHOWN ON THIS SHEET WILL BE SUPPLIED BY ROMTEC UTILITIES AND DELIVERED TO THE SITE AFTER THE HOLE HAS BEEN EXCAVATED AND SHORED. THE CONTRACTOR SHALL SUPPLY A CRANE OF SUFFICIENT SIZE TO LOWER ALL THE COMPONENTS INTO THE HOLE SAFELY. THE CONTRACTOR SHALL INSTALL THE WET WELL. ROMTEC UTILITIES WILL PROVIDE A REPRESENTATIVE FOR TECHNICAL ASSISTANCE ON THE DAY OF INSTALLATION TO ANSWER ANY QUESTIONS THAT MAY ARISE. THE CONTRACTOR IS RESPONSIBLE FOR ALL PLUMBING AND ELECTRICAL CONNECTIONS AND INSTALLATION. ITEMS NOTED AS "BY OTHERS" WILL BE PROVIDED AND INSTALLED BY THE CONTRACTOR. ROMTEC UTILITIES WILL NOT FIELD INSTALL ANY OF THE COMPONENTS SHOWN ON THIS PAGE.

© 2019 ROMTEC INC. ALL RIGHTS RESERVED. THESE PLANS AND DRAWINGS MAY NOT BE REPRODUCED, ADAPTED, OR FURTHER DISTRIBUTED, AND NO COMPONENTS MAY BE CONSTRUCTED FROM THESE PLANS, WITHOUT WRITTEN PERMISSION OF ROMTEC, INC.

WELL FLOOR ELEVATION: -2.28'
WELL BASE ELEVATION: -2.60'
CONCRETE FOUNDATION (BY OTHERS)
8' SQUARE x 8" THICK MINIMUM

INFLUENT STORM (BY OTHERS)
8" ADS N-12
ELEVATION: 5.90'

ANTICIPATED WEIGHTS
WET WELL ASSEMBLY: <2650#
(delivered with discharge elbows and piping installed)
PUMP SHIPPING CRATE: <1000#
CONTROL PANEL: <400#

COMPLETE PUMP STATION (EMPTY): <3350#
COMPLETE PUMP STATION (WATER TO RIM): ~24000#

NOTE: ACTUAL WEIGHTS WILL BE PROVIDED PRIOR TO DELIVERY

REV	DATE	DESCRIPTION	REVISION HISTORY
1	9/18/2019	LAUNCH	AD
1	8-21-19	ADDITIONAL DETAILING FOR DESIGN SUBMISSION	KB

VERIFY SCALE
DRAWING HAS BEEN
CHECKED FOR
SCALE ACCURACY
0 1"

DSN: KEVIN BOGAN
DRN: KEVIN BOGAN
CKD: ANDY DAKE
DATE: 7-9-19

ROMTEC UTILITIES
18240 NORTH BANK ROAD
ROSEBURG, OREGON 97470
PHONE: (541) 496-9678
WWW.ROMTECUTILITIES.COM

TRANS BAY CABLE CONVERTER
PITTSBURG, CA
STORMWATER PUMP STATION
QUOTE DRAWING
SOUTH STATION

MECHANICAL SHEET
5 OF 6