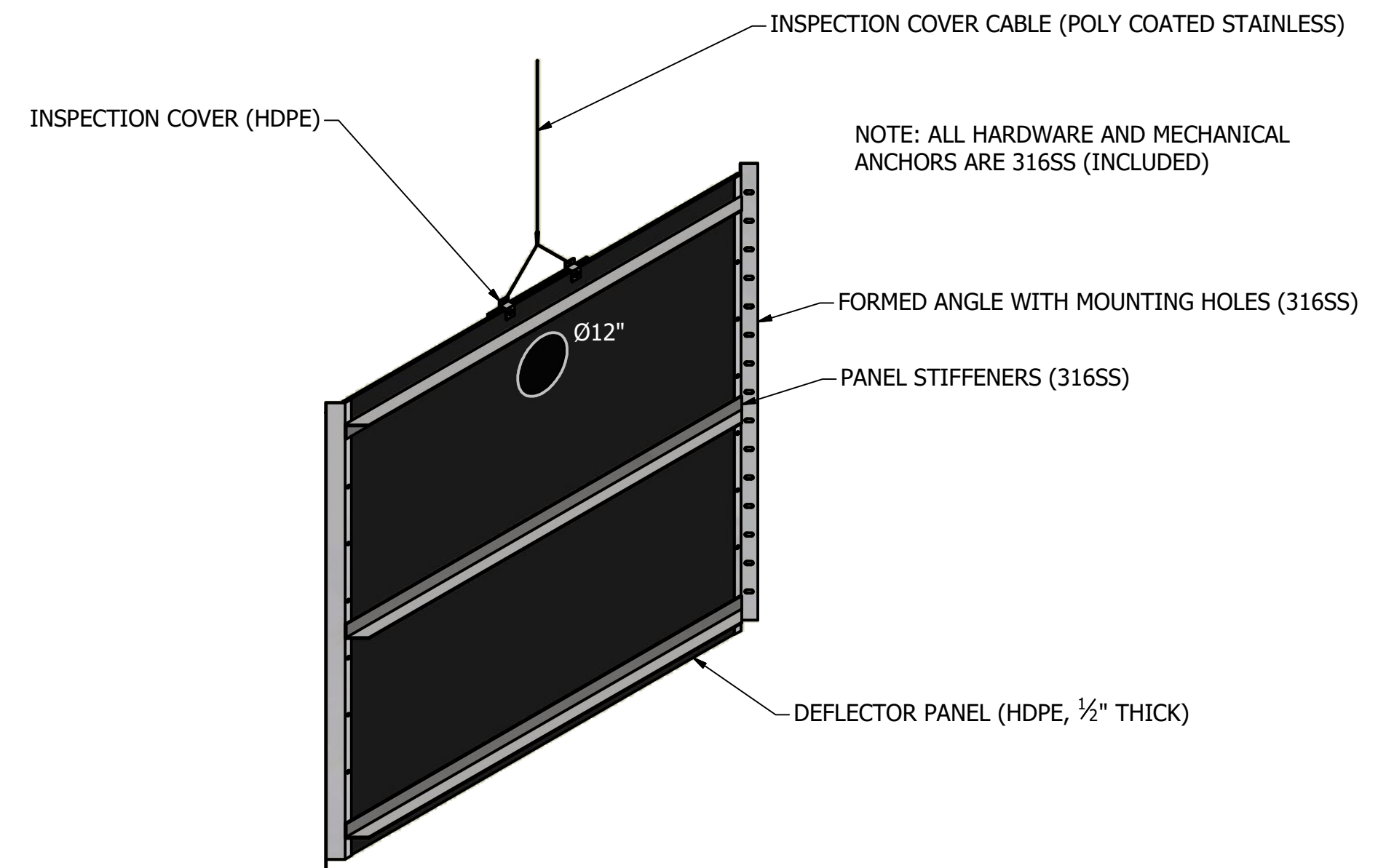
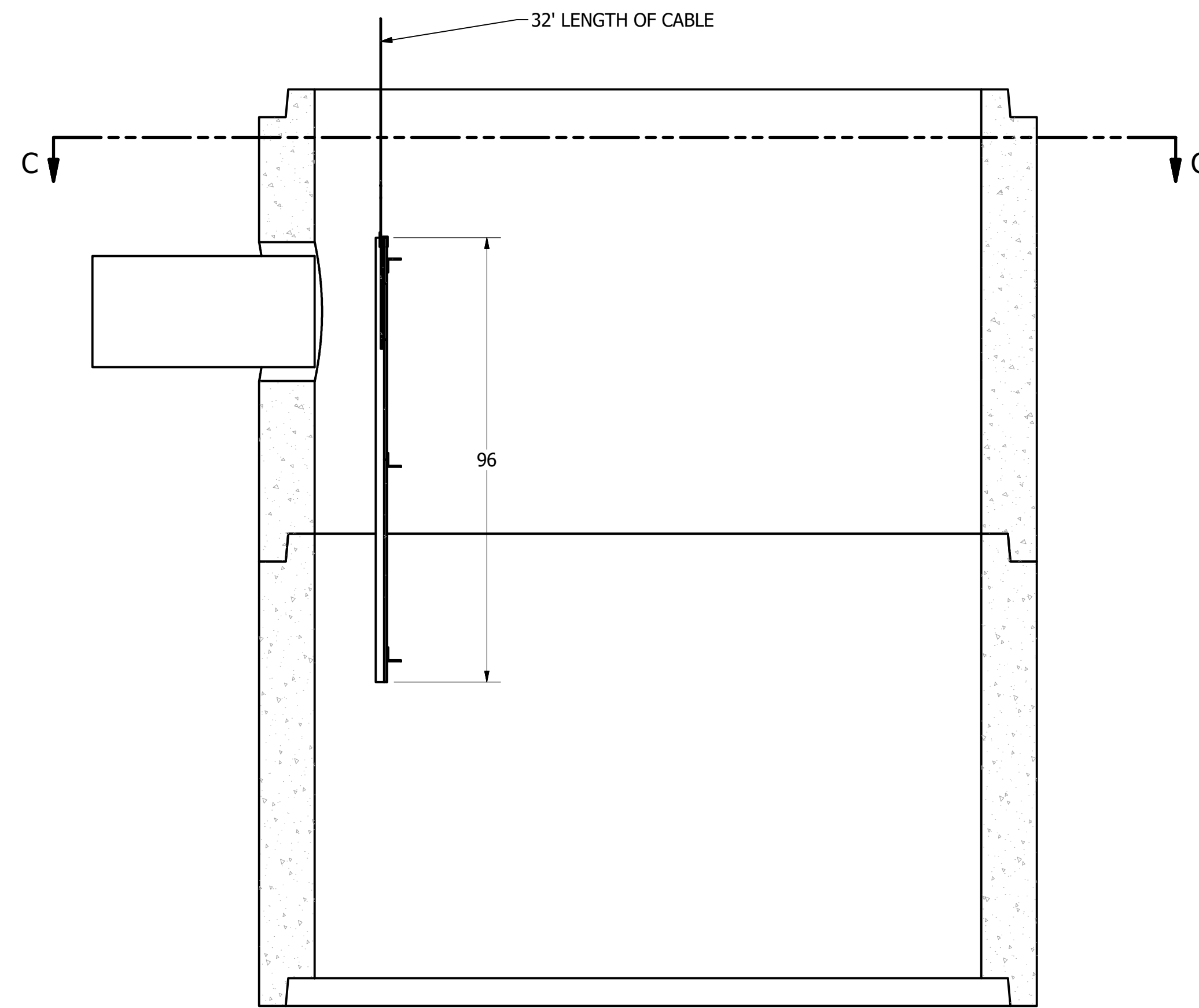


SECTION C-C
SCALE 1 / 24

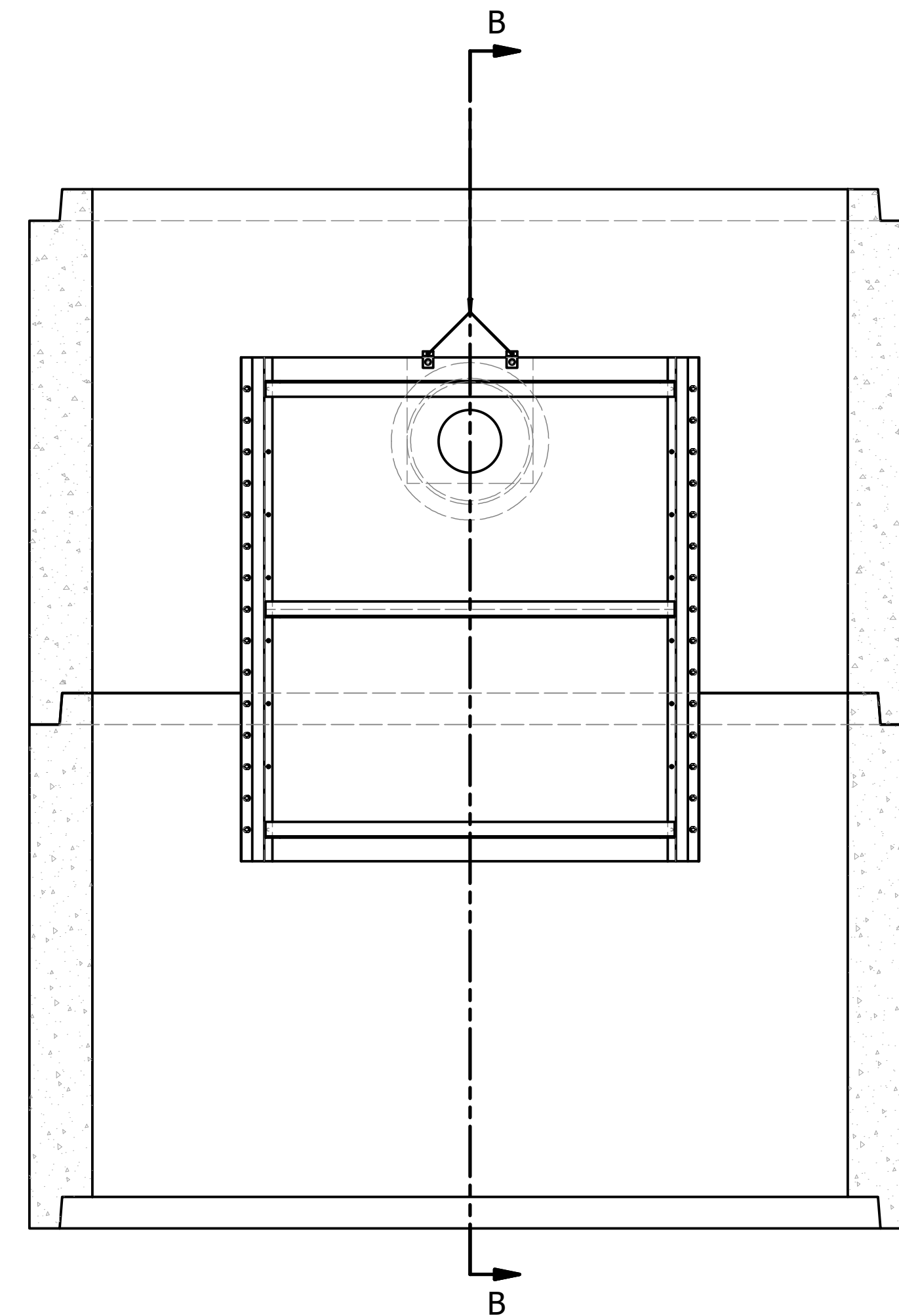
PARTS LIST			
ITEM	QTY	STOCK NUMBER	DESCRIPTION
1	1	15-DP120800	DEFLECTOR PANEL ASSEMBLY - 12ft DIA WELL x 8ft H



NOTE: ALL HARDWARE AND MECHANICAL ANCHORS ARE 316SS (INCLUDED)



SECTION B-B
SCALE 1 / 24



© 2020 ROMTEC INC. ALL RIGHTS RESERVED.
THESE PLANS AND DRAWINGS MAY NOT BE REPRODUCED, ADAPTED, OR FURTHER DISTRIBUTED, AND NO COMPONENTS MAY BE CONSTRUCTED FROM THESE PLANS, WITHOUT WRITTEN PERMISSION OF ROMTEC, INC.

VERIFY SCALE
DRAWING TO BE
CONSTRUCTED FROM
THIS DRAWING ONLY
DO NOT SCALE DRAWING

0 1"

DSN: KB
DRN: KB
CKD:

DATE: 2-28-20



18240 NORTH BANK ROAD
ROSEBURG, OREGON 97470
PHONE: (541) 496-9678
WWW.ROMTECUTILITIES.COM

STEVENS CREEK

CROWDER CONSTRUCTION

DEFLECTOR PANEL ASSEMBLY
COMPONENT DRAWING

MECHANICAL SHEET

1 OF 1

REVISION HISTORY

REV DATE

DESCRIPTION

BY