

ISO VIEW  
SCALE 1 / 48

**8' DIAMETER WET WELL**  
**6" DISCHARGE PIPING**  
**HIDROSTAL PUMPS**  
**6" - 687 VALVE VAULT**

PUMP	INFORMATION
NUMBER OF PUMPS	2
TYPE OF PUMPS	HIDROSTAL ESK-L
SIZE OF PUMP	5in SUCTION; 6in DISCHARGE
PUMP CAPACITY	549GPM (EACH PUMP)
TOTAL DYNAMIC HEAD	50.0ft TDH
HORSEPOWER	14.8HP
MOTOR SPEED	1800RPM
POWER SUPPLY	480V, 3PHASE

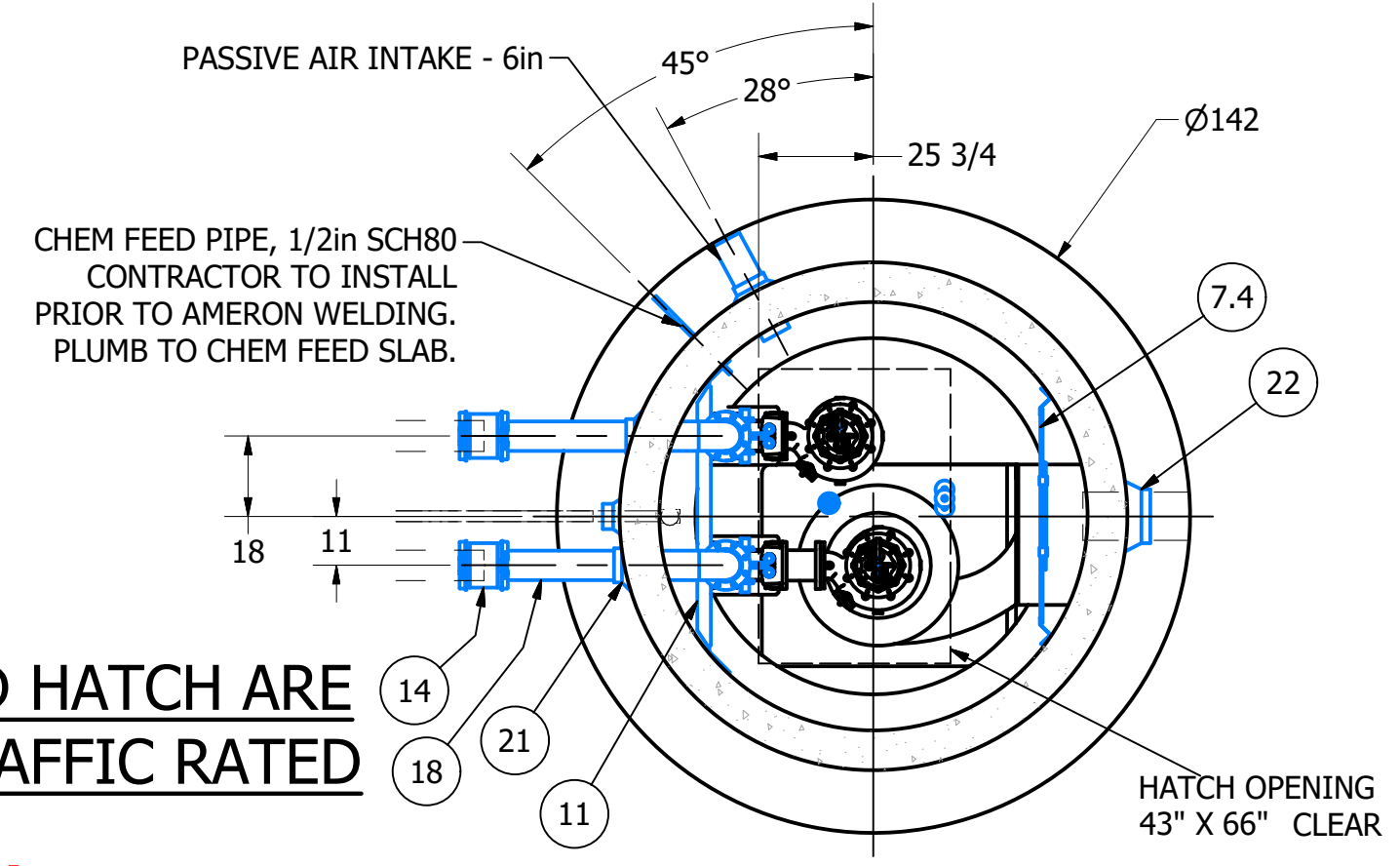
**NOTE: TOP SLAB AND HATCH ARE H-20 OCCASIONAL TRAFFIC RATED**

**FOR PRODUCTION**

**COLOR LEGEND**

- MAJOR CONCRETE COMPONENTS WITH PRE-INSTALLED COMPONENTS.
- COMPONENTS PRE-ASSEMBLED TO THE EXTENT POSSIBLE AND WILL NEED TO BE FIELD INSTALLED.

NOTE: PRE-ASSEMBLY IS DONE AT ROMTEC UTILITIES' DISCRETION AND MAY CHANGE AT THE TIME OF PRODUCTION.



SECTION F-F  
SCALE 1 / 42

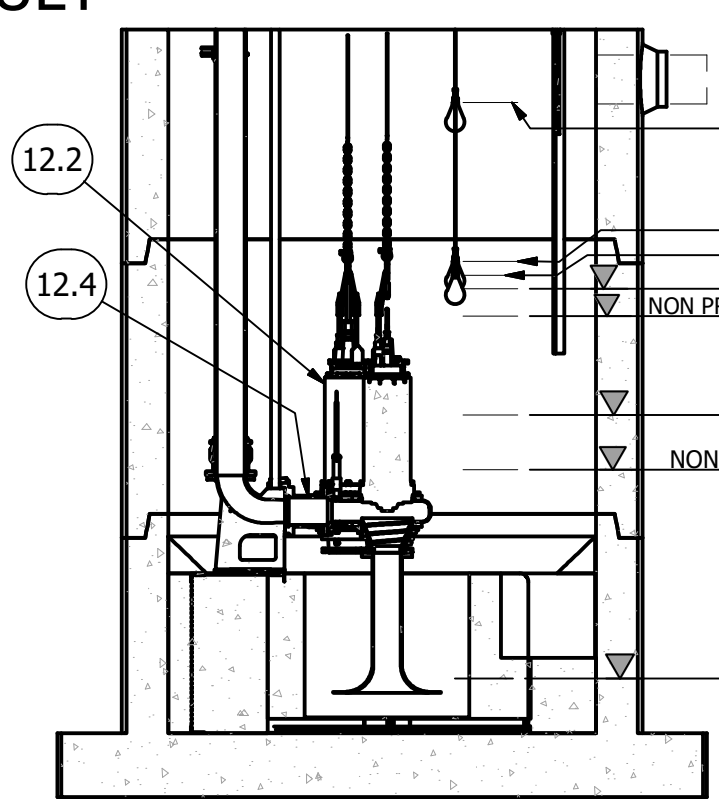
ALL BURIED FLANGE SETS ARE TO BE DOUBLE WRAPPED WITH 10MIL POLYETHYLENE SHEET SEAMED WITH APPROVED PIPE WRAP TAPE. THE IS PROVIDED BY THE CONTRACTOR.

RIM & FINISH GRADE ELEVATION: 353.50'

DISCHARGE PIPE C.L. ELEVATION: 349.00'

INFLUENT SEWER (BY OTHERS) 10" PVC ELEVATION: 326.00'

WET WELL FLOOR ELEVATION: 314.50'



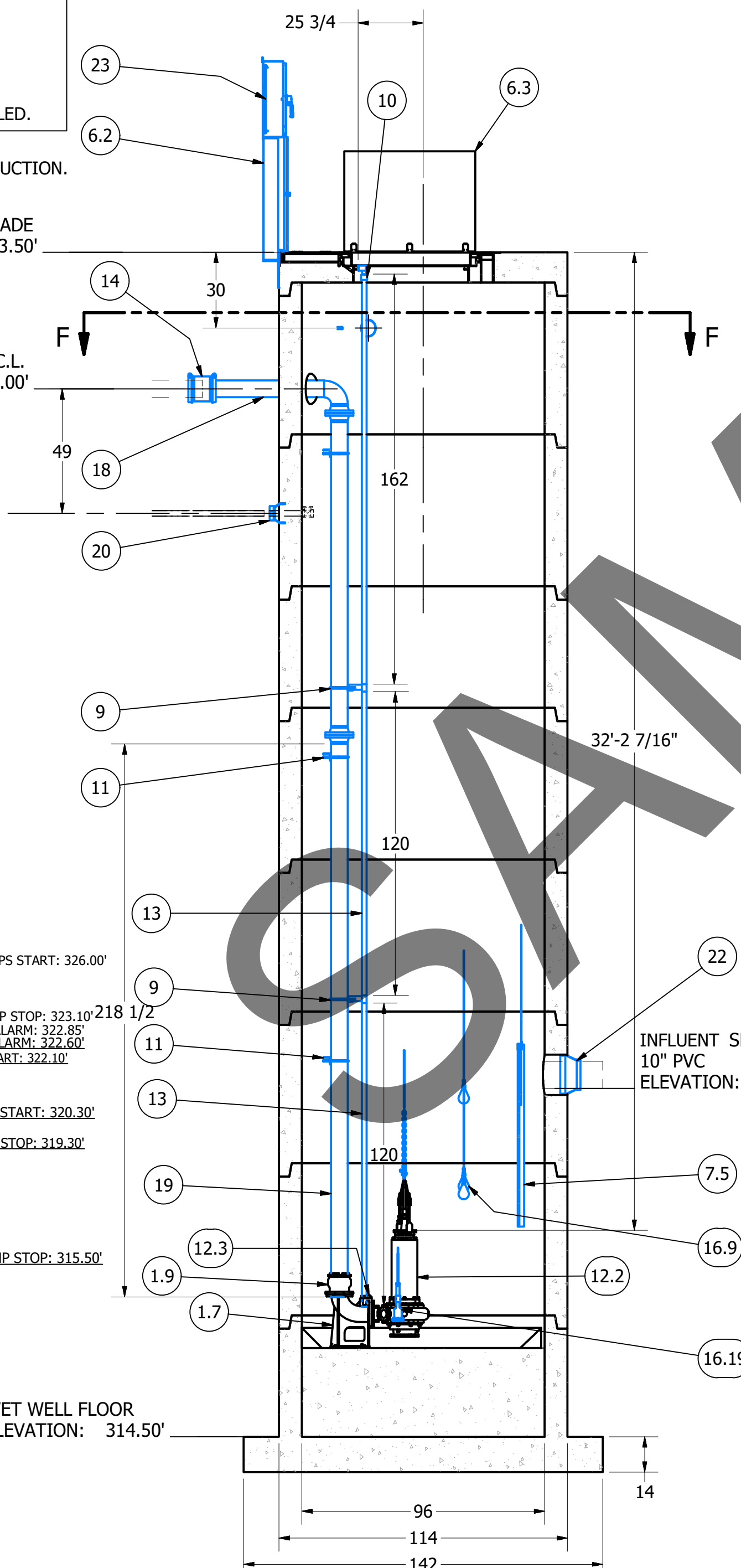
SECTION G-G  
SCALE 1 / 42

NOTE: CONDUIT TO CONTROL PANEL (BY OTHERS) MINIMUM:  
(2) FOR POWER  
(1) FOR LEVEL SENSING

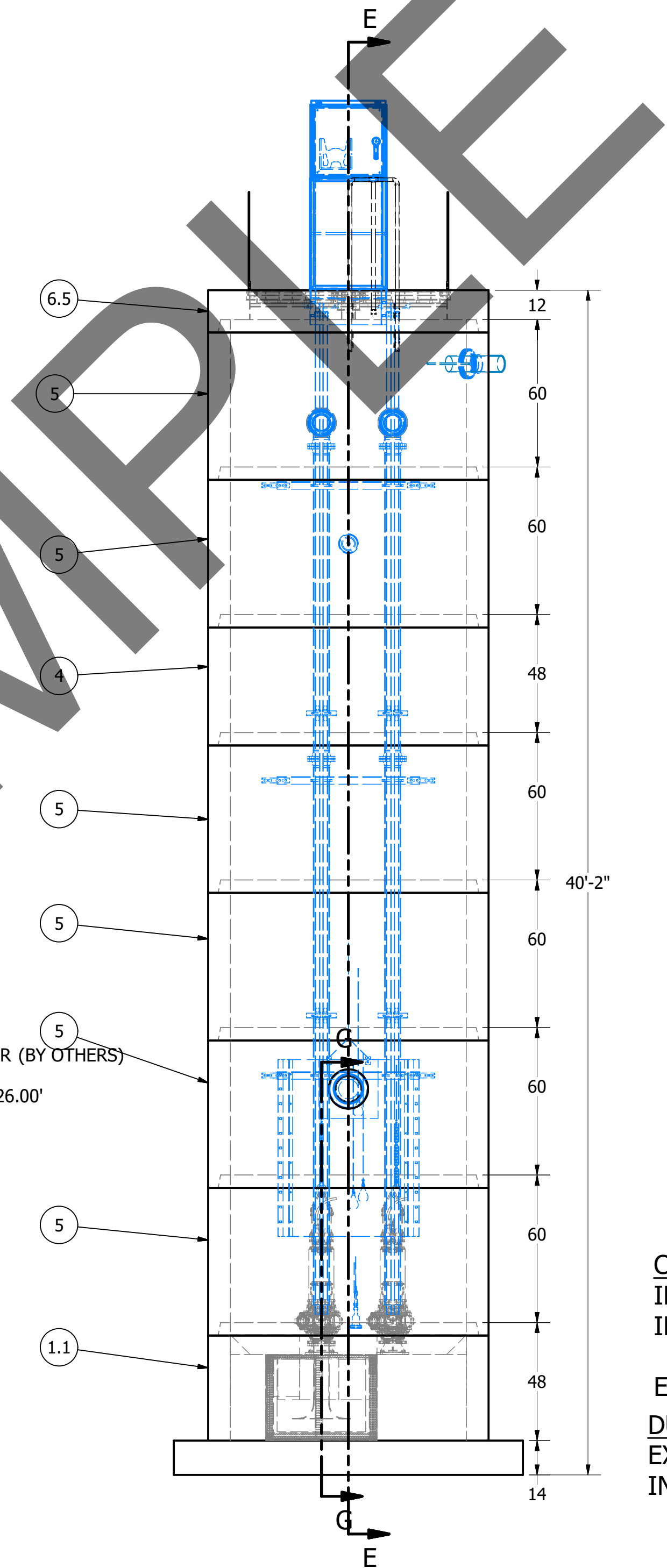
ALL MATERIALS SHOWN ON THIS SHEET WILL BE SUPPLIED BY ROMTEC UTILITIES AND DELIVERED TO THE SITE AFTER THE HOLE HAS BEEN EXCAVATED AND SHORED. THE CONTRACTOR SHALL SUPPLY A CRANE OF SUFFICIENT SIZE TO LOWER ALL THE CONCRETE PIECES INTO THE HOLE SAFELY. THE CONTRACTOR SHALL INSTALL THE WET WELL (AND VALVE VAULT AND METERING VAULT IF APPLICABLE). ROMTEC UTILITIES WILL PROVIDE A REPRESENTATIVE FOR TECHNICAL ASSISTANCE ON THE DAY OF INSTALLATION TO ANSWER ANY QUESTIONS THAT MAY ARISE. THE CONTRACTOR IS RESPONSIBLE FOR ALL PLUMBING AND ELECTRICAL CONNECTIONS AND INSTALLATION. ITEMS NOTED AS "BY OTHERS" WILL BE PROVIDED AND INSTALLED BY THE CONTRACTOR. ROMTEC UTILITIES WILL NOT INSTALL ANY OF THE COMPONENTS SHOWN ON THIS PAGE.

© 2018 ROMTEC INC. ALL RIGHTS RESERVED. THESE PLANS AND DRAWINGS MAY NOT BE REPRODUCED, ADAPTED, OR FURTHER DISTRIBUTED, AND NO COMPONENTS MAY BE CONSTRUCTED FROM THESE PLANS, WITHOUT WRITTEN PERMISSION OF ROMTEC, INC.

SENSOR AND ELEVATION TABLE		
LEVEL ELEVATION	DISTANCE BETWEEN POINTS	SET POINT DESCRIPTION
326.00		INVERT IN
326.00		BACK UP PUMPS START
	2.90	SENSOR SPACING
323.10		BACK UP PUMPS STOP
	0.25	SENSOR SPACING
322.85		BACK UP HL ALARM
322.60		HIGH LEVEL ALARM
	0.50	SENSOR SPACING
322.10		NON PRE-RO PUMP START
	2.80	SPACE START - STOP
320.30		PRE-RO PUMP START
	4.80	SPACE START - STOP
319.30		NON PRE-RO PUMP STOP
315.50		PRE-RO PUMP STOP
314.50		FLOOR ELEVATION



SECTION E-E  
SCALE 1 / 42



SECTION G-G  
SCALE 1 / 42

PARTS LIST			
ITEM	QTY	STOCK NUMBER	DESCRIPTION
1	1	10-CB00000	BASE SLAB ASSEMBLY
1.1	1	10-CB084800	BASE - WM - 8ft DIA x 48in - AMERON
1.2	1	10-GR080000	GROUT RING - 8ft DIA - 8in X 8in
1.3	1	10-GR08800H	GROUT RING - 8ft DIA - HIDROSTAL - 800 BASIN
1.4	1	11-LC0800IN	COATING - INTERIOR - 8ft DIA - GROUT RING
1.5	1	11-LC080HYDR	PREROSTAL 800 BASIN
1.6	2	31-ADE5KLSH	ADAPTER - HIDROSTAL - PUMP BASE PLATE
1.7	2	31-EL0504HS	DISCHARGE ELBOW - 6in x 5in - HIDROSTAL - ESK-L
1.8	2	31-HW00AKS6	ANCHOR KIT - 316SS - DISCHARGE ELBOW
1.9	2	44-AD06RML	FLANGE ADAPTER - 6in - ROMAC ALPHA
2	1	11-AM08WELD	WELDING - 8ft DIA - AMERON
3	1	11-LC0800EX	COATING - EXTERIOR - 8ft DIA
4	1	12-CR0848A0	BARREL - 8ft DIA x 4ft H - AMERON
5	6	12-CR0860A0	BARREL - 8ft DIA x 5ft H - AMERON
6	1	14-CT00000	TOP SLAB ASSEMBLY
6.1	1	13-CA089999	CABLE TRAY - 8ft - 24.4375in
6.2	1	13-DS3030SS	DISCONNECT STAND - SS - 30in x 30in x 8in
6.3	1	13-HH08HDE	HATCH - H20 - 8ft - DUPLEX
6.4	1	13-VT0000AL	VENT - ALUMINUM - FLUSH
6.5	1	14-CT08HDDH	TOP SLAB - 8ft DIA - H20 - AMERON
7	1	15-DP080600	DEFLECTOR PANEL ASSEMBLY - 8ft DIA x 6ft
7.1	2	15-BR00SSGU	BRACKET - SS GUILLOTINE SET
7.2	1	15-DB00CAGU	GUILLOTINE CABLE ASSEMBLY - 29ft TOTAL LENGTH
7.3	1	50-AC00HDPE	HDPE - 24in x 24in - BLACK - INSPECTION COVER
7.4	1	50-AC00HDPE	SHEET - HDPE - 4ft x 8ft - BLACK
7.5	12ft	50-AN080GS6	ANGLE - 316SS 11GA FORMED (8fttw)
8	2	17-AC38000B	BOLT KIT - UPPER GUIDE BAR BRACKET
9	4	17-IG1HS6HS	BRACKET - 316SS - INTERMEDIATE GUIDE BAR - 1.5in - 316SS
10	2	17-UG1HS6HS	BRACKET - 316SS - UPPER GUIDE BAR - 1.5in - 316SS
11	3	18-BRXXXXX	DISCHARGE PIPE BRACKET - 8ft WW - 6in DI PIPE
12	1	30-PU00000	PUMP SHIPPING CRATE
12.2	2	30-PU0000HS	PUMP - HIDROSTAL - ESK-L - 14.8HP - 50ft CABLE
12.3	1	31-ADBR00HS	ADAPTER BRACKET - GUIDE RAIL - HIDROSTAL
12.4	1	31-ADE5KLSH	SPOOL PIECE ADAPTER - HIDROSTAL - 8.5in
12.7	2	32-CGA000SS	CORD GRIP - .750in - .990 - SS
12.8	2	32-CGH000SS	CORD GRIP - .63in - .74in - SS
12.9	1	32-PL00000	LIFTING RING - PUMP
12.14	2	32-AC0000EB	LIFTING ASSEMBLY - HIDROSTAL
13	136 ft	40-PP1H00S6	PIPE - 316SS SCH40 - 1.5in DIA ( 4 @ 14ft, 8 @ 10ft, GUIDE RAILS)
14	2	44-CP060AD0	COUPLING - 6in - ROMAC ALPHA
15	4	49-GS060000	GASKET - FLANGE - 6in
16	1	50-AC000000	WELL SHIPPING CRATE
16.1	8	12-GS000001	BARREL - GASKET
16.2	1	13-KY000000	HATCH KEY
16.3	4	18-AC00CH00	CABLE HANGER ASSEMBLY
16.4	4	18-HD040000	LIFTING CLUTCH - 4 TON
16.5	8	18-HD080000	LIFTING CLUTCH - 8 TON
16.6	1	51-AC00NSTB	NEVER SIEZE - TUBE
16.7	240	51-BT060000	JOINT WRAP - 6in - BOA TAPE
16.8	261	51-SE0101SL	JOINT SEALANT - 1in - CONSEAL CS-202
16.9	3	80-FS20MSNL	FLOAT - 20m - MS1 - NOLTA
16.16	1	80-BR00PT00	BRACKET - PVC - PRESSURE TRANSDUCER
16.17	1	80-ACBAKSA1	BREATHER ASSEMBLY KIT - SIEMENS
16.18	1	80-PT150SA1	PRESSURE TRANSDUCER - 15PSI - SIEMENS A1000i
16.19	1	80-CA060SA1	HOUSING AND CABLE ASSEMBLY - 60ft - SIEMENS
17	2	57-FF6120S6	SPOOL - 316SS - 6in DIA x 10ft - FLGxFLG
18	2	57-FP0690S6	SPOOL - 6in 316SS SCH40 - FLG x PE - 90deg
19	2	57-FP6216S6	SPOOL - 316SS - 6in DIA x 18ft - FLGxPE
20	1	59-KB080400	KOR-N-SEAL - 8in CORE - 4in thru 1.5in PIPE
21	3	59-KB1206S5	KOR-N-SEAL - 12in CORE x 6in IPS PIPE
22	1	59-KB161000	KOR-N-SEAL - 16in CORE x 10in PIPE
23	1	61-EP3000DC	DISCONNECT PANEL
24	2.0 ft	70-PP0600DR	PIPE - PVC SDR35 - 6in DIA
25	2.0 ft	70-PP0800P8	PIPE - PVC SCH80 - 0.5in DIA

**CONCRETE COATINGS/LININGS**  
INTERIOR WALL: AMERON T-LOCK  
INTERIOR BASE: TNEMEC 434/435 PERMA-SHIELD  
(APPLIED AFTER BASIN AND GROUT INSTALLED)  
EXTERIOR: TNEMEC 61  
**DUCTILE IRON PIPE COATINGS/LININGS**  
EXTERIOR: INDURON CERAMAWRAP  
INTERIOR: PROTECTO 401 LINED.

NOTE: CONTRACTOR TO SEAL ALL CONCRETE JOINTS AND PIPE PENETRATIONS WITH NON-SHRINK GROUT

NOTE: STOCK NUMBERS ABOVE ARE ROMTEC UTILITIES STOCK NUMBERS.  
NOTE: ALL DIMENSIONS AND ELEVATIONS SHOWN ARE NOMINAL DIMENSIONS. IT IS THE RESPONSIBILITY OF THE ON-SITE CONTRACTOR OR ROMTEC UTILITIES CUSTOMER (NOT ROMTEC UTILITIES) TO VERIFY THE ACCURACY OF ANY CRITICAL DIMENSIONS OR ELEVATIONS PRIOR TO SETTING OR INSTALLING ANY EQUIPMENT.

VERIFY SCALE: 0 1"

PRODUCTION LAUNCH UPDATE  
REVISED TO 5ft BARRELS PER OLDCASTLE  
REVISED PER COMMENTS  
RIM ELEVATION CHANGE  
DESCRIPTION  
REVISION HISTORY

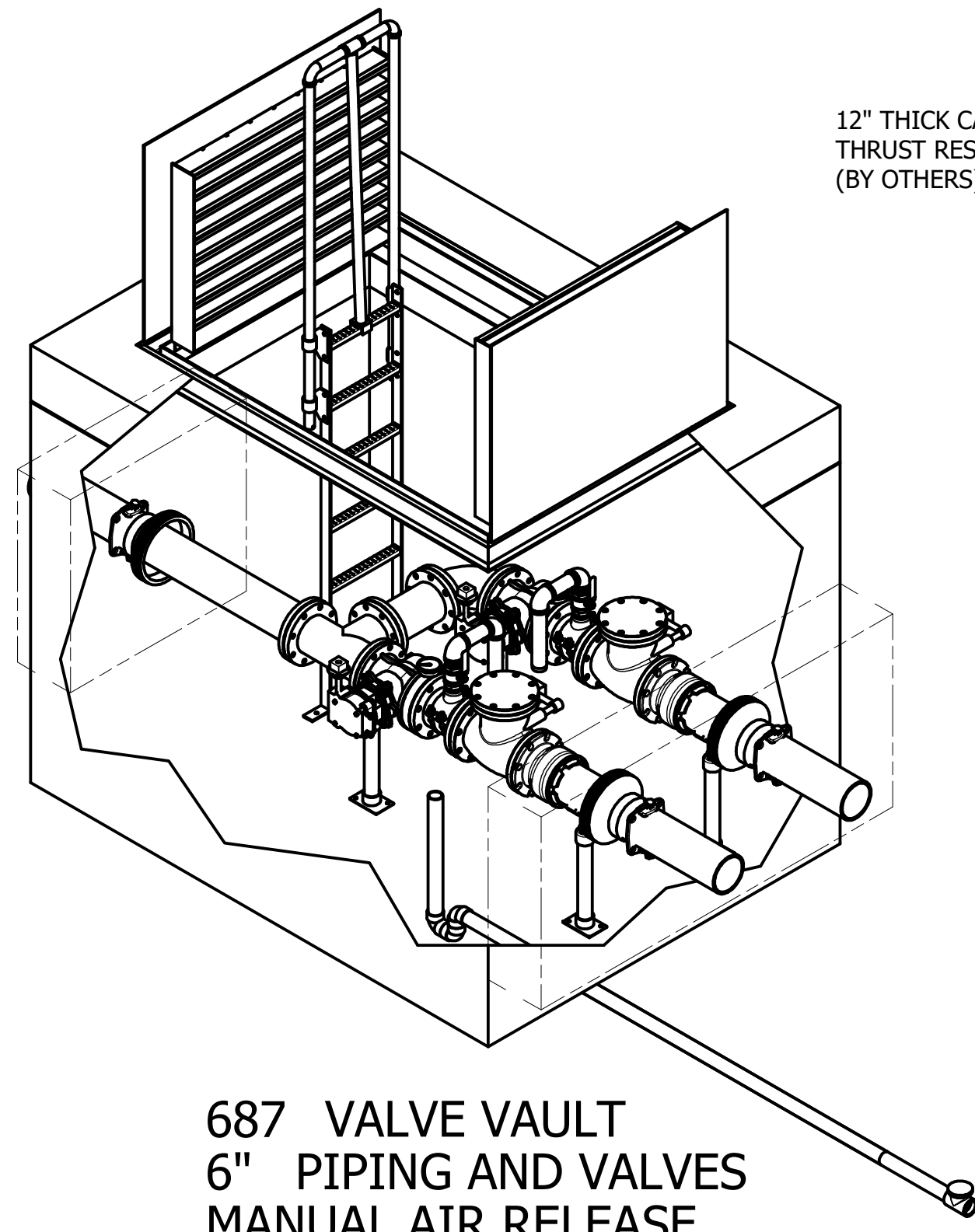
DATE: 8-3-18

DSN: ANDY DAKE  
DRN: ANDY DAKE  
CKD: KEVIN BOGAN

MECHANICAL SHEET  
3 OF 8

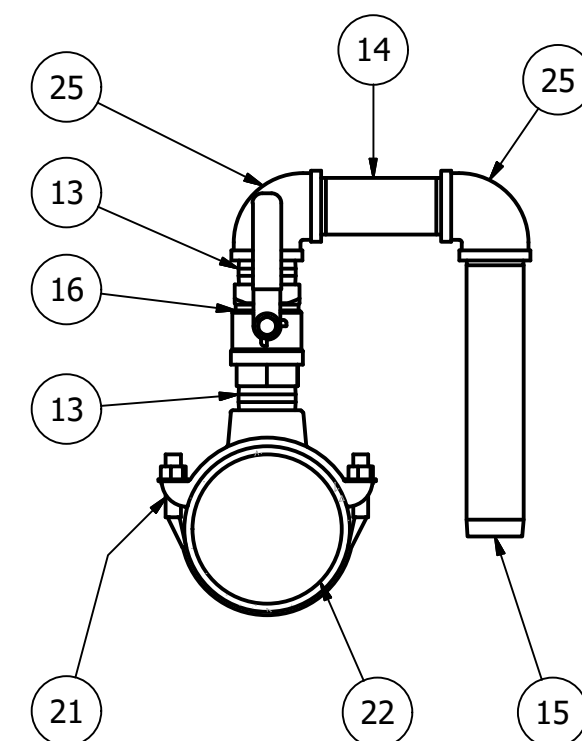
HIGHGATE COMMUNITY  
BAKERSFIELD, CA  
WET WELL ASSEMBLY  
COMPONENT DRAWING

ROMTEC UTILITIES  
18240 NORTH BANK ROAD  
ROSEBURG, OREGON 97470  
PHONE: (541) 496-9678  
WWW.ROMTECUTILITIES.COM



687 VALVE VAULT  
6" PIPING AND VALVES  
MANUAL AIR RELEASE

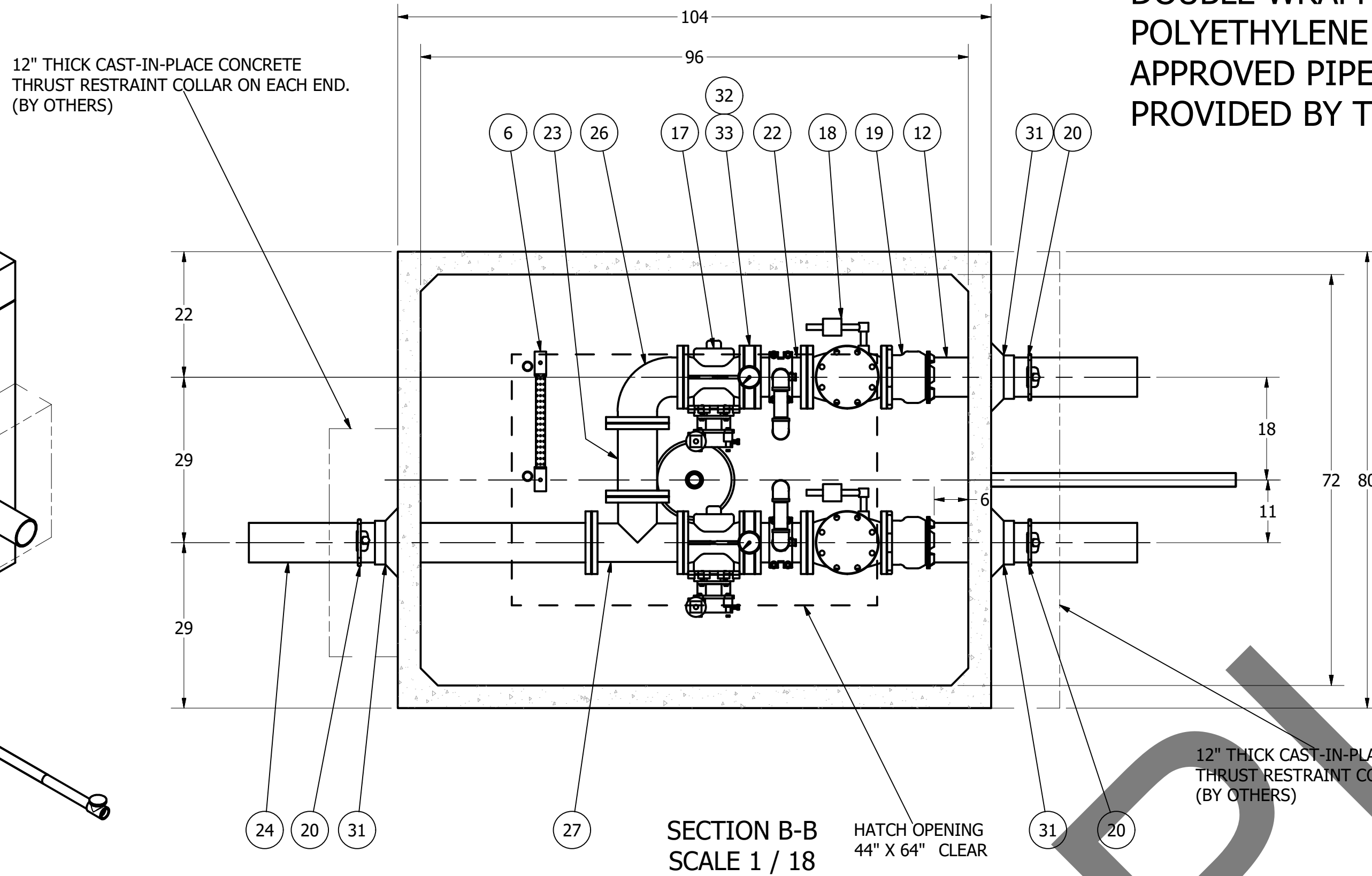
**FOR PRODUCTION**



SECTION D-D  
SCALE 1 / 8

ALL MATERIALS SHOWN ON THIS SHEET WILL BE SUPPLIED BY ROMTEC UTILITIES AND DELIVERED TO THE SITE AFTER THE HOLE HAS BEEN EXCAVATED AND SHORED. THE CONTRACTOR SHALL SUPPLY A CRANE OF SUFFICIENT SIZE TO LOWER ALL THE CONCRETE PIECES INTO THE HOLE SAFELY. THE CONTRACTOR SHALL INSTALL THE WET WELL (AND VALVE VAULT AND METERING VAULT IF APPLICABLE). ROMTEC UTILITIES WILL PROVIDE A REPRESENTATIVE FOR TECHNICAL ASSISTANCE ON THE DAY OF INSTALLATION TO ANSWER ANY QUESTIONS THAT MAY ARISE. THE CONTRACTOR IS RESPONSIBLE FOR ALL PLUMBING AND ELECTRICAL CONNECTIONS AND INSTALLATION. ITEMS NOTED AS "BY OTHERS" WILL BE PROVIDED AND INSTALLED BY THE CONTRACTOR. ROMTEC UTILITIES WILL NOT INSTALL ANY OF THE COMPONENTS SHOWN ON THIS PAGE.

© 2018 ROMTEC INC. ALL RIGHTS RESERVED. THESE PLANS AND DRAWINGS MAY NOT BE REPRODUCED, ADAPTED, OR FURTHER DISTRIBUTED, AND NO COMPONENTS MAY BE CONSTRUCTED FROM THESE PLANS, WITHOUT WRITTEN PERMISSION OF ROMTEC, INC.



SECTION B-B  
SCALE 1 / 18  
HATCH OPENING  
44" X 64" CLEAR

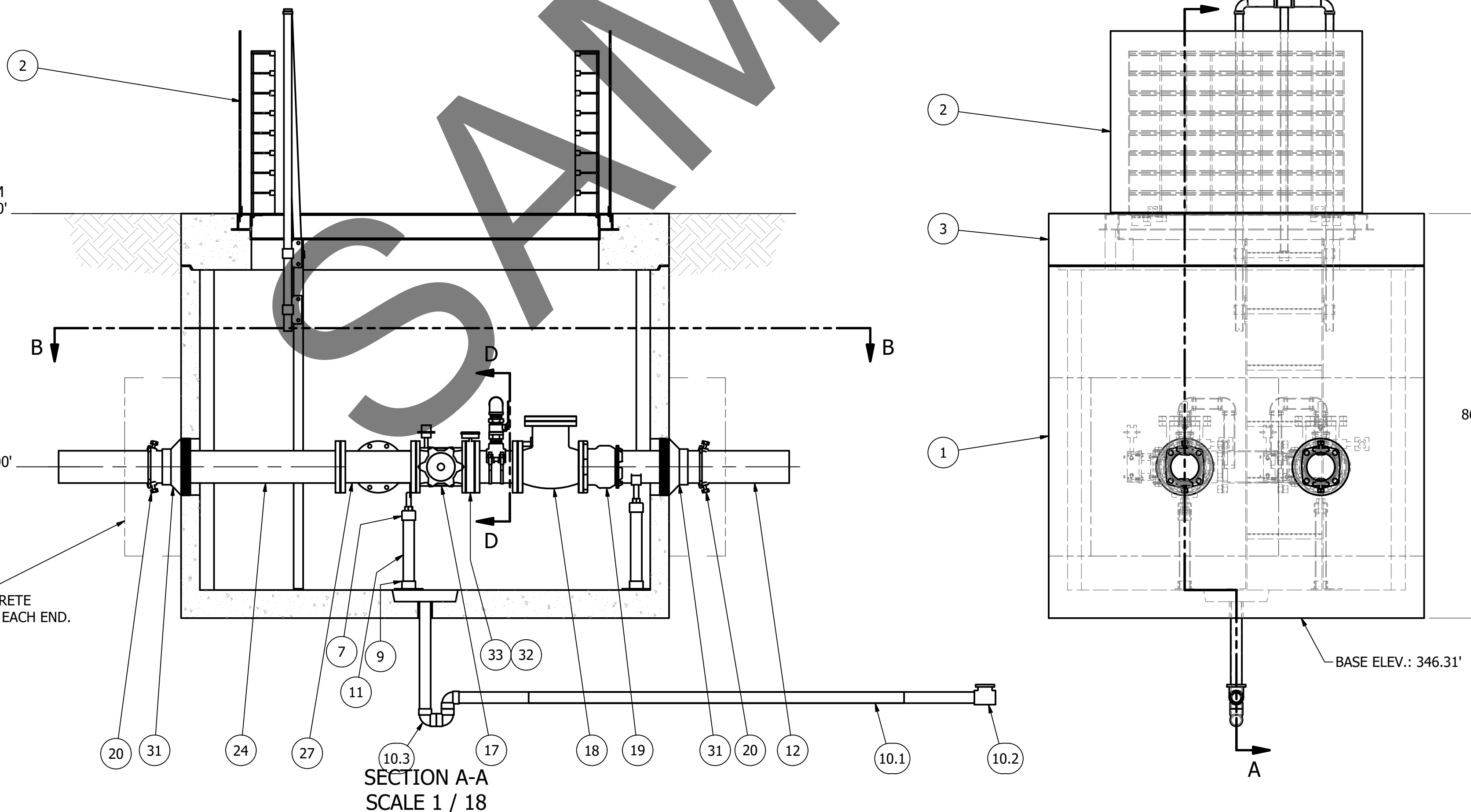
ALL BURIED FLANGE SETS ARE TO BE DOUBLE WRAPPED WITH 10 MIL POLYETHYLENE SHEET SEEMED WITH APPROVED PIPE WRAP TAPE. THIS IS PROVIDED BY THE CONTRACTOR.

12" THICK CAST-IN-PLACE CONCRETE THRUST RESTRAINT COLLAR ON EACH END. (BY OTHERS)

FINISH GRADE & RIM  
ELEVATION: 353.50'

12" THICK CAST-IN-PLACE CONCRETE THRUST RESTRAINT COLLAR ON EACH END. (BY OTHERS)

DISCHARGE C.L.  
ELEVATION: 349.00'



SECTION A-A  
SCALE 1 / 18

DUCTILE IRON PIPE COATINGS/LININGS  
EXTERIOR: INDURON CERAMAWRAP  
INTERIOR: PROTECTO 401 LINED.

NOTE: STOCK NUMBERS ABOVE ARE ROMTEC UTILITIES STOCK NUMBERS.

NOTE: CONTRACTOR TO SEAL ALL CONCRETE JOINTS AND PIPE PENETRATIONS WITH NON-SHRINK GROUT

NOTE: ALL DIMENSIONS AND ELEVATIONS SHOWN ARE NOMINAL DIMENSIONS. IT IS THE RESPONSIBILITY OF THE ON-SITE CONTRACTOR OR ROMTEC UTILITIES CUSTOMER (NOT ROMTEC UTILITIES) TO VERIFY THE ACCURACY OF ANY CRITICAL DIMENSIONS OR ELEVATIONS PRIOR TO SETTING OR INSTALLING ANY EQUIPMENT.

		PARTS LIST	
ITEM	QTY	STOCK NUMBER	DESCRIPTION
1	1	20-CB687000	BASE - WV - 687
2	1	23-HH687GHE	HATCH - WV - 687 - H20 - SAFETY GRATE
3	1	24-CT687HD0	TOP SLAB - WV - 687 - H20
4	2	25-KY000BR	BRACKET - VALVE KEY
5	1	25-KY000GW	VALVE KEY - EXTENDABLE GATE WRENCH
6	1	25-LD060300	LADDER - 6ft-3in
7	1	25-PS06S89F	PIPE STAND - FLANGE - 6in
8	2	25-PS06S92S	PIPE STAND - 304SS - 6in SADDLE
9	4	25-PS06BASE	PIPE STAND BASE - 304SS - 2in - 2 BOLT
10	1	25-XXXX	DRAIN - VALVE VAULT
10.1	20 ft	70-PP0200P4	PIPE - PVC SCH40 - 2in DIA
10.2	1	72-DB020SP8	DRAINBACK VALVE - PVC - 2in
10.3	3	76-EL029040	ELBOW - PVC SCH40 - 2in x 90deg - SLIP
11	10ft	40-PP0200S4	PIPE - 304SS SCH40 - 2in DIA
12	7.0 ft	40-PP0600D0	PIPE - DI - 6in DIA CL52 - IC/P401 (2 x 42in)
13	4	40-TT0202S4	NIPPLE - 304SS - 2in SCH40 X CLOSE
14	2	40-TT0206S4	NIPPLE - 304SS - 2in DIA x 6in
15	2	40-TT0212S4	NIPPLE - 304SS - 2in DIA x 12in
16	2	41-BV0200S4	BALL VALVE - 304SS - 2in - SPRING RETURN - APPOLO 76-508-01
17	2	41-PV060GD0	PLUG VALVE - 6in - GEAR OP NUT - VALMATIC 5806R/7A02XF
18	2	42-LW0600D0	CHECK VALVE - LEVER & WEIGHT - 6in - VALMATIC 7806LW
19	2	44-AD06RMAL	FLANGE ADAPTER - 6in - ROMAC ALPHA
20	3	44-RG060STR	RETAINER GLAND - 6in - HEAVY DUTY
21	2	44-TS060200	TAPPING SADDLE - 6in PIPE x 2in FNPT - ROMAC 101NS-6.90X2in NPT
22	2	45-FF060090	SPOOL - DI - 6in DIA x 9in - FLGXFLG - IC/P401
23	1	45-FF061230	SPOOL - DI - 6in DIA x 12.75in - FLGXFLG - IC/P401
24	1	45-FP060600	SPOOL - DI - 6in DIA x 60in - FLGXPE - IC/P401
25	4	46-EL0290S4	ELBOW - 304SS - 2in x 90deg - FNPT
26	1	46-EL0690DI	ELBOW - DI - 6in x 90deg - FLGXFLG - IC/P401
27	1	46-TE0606DI	TEE - DI - 6in - FLGXFLG - IC/P401
28	11	49-GS060000	GASKET - FLANGE - 6in
29	31	51-BT060000	JOINT WRAP - 6in - BOA TAPE
30	43.5	51-SE0101SL	JOINT SEALANT - 1in - CONSEAL CS-202
31	3	59-KB1206DI	KOR-N-SEAL - 12in CORE x 6in DIPS PIPE
32	2	81-PG3H00QB	PRESSURE GAUGE - 3.5in DIA x .25in MNPT BACK - xxx#
33	2	83-GI060000	ISO RING - 6in - ASHCROFT

NOTE: TOP SLAB AND HATCH ARE H-20 OCCASIONAL TRAFFIC RATED

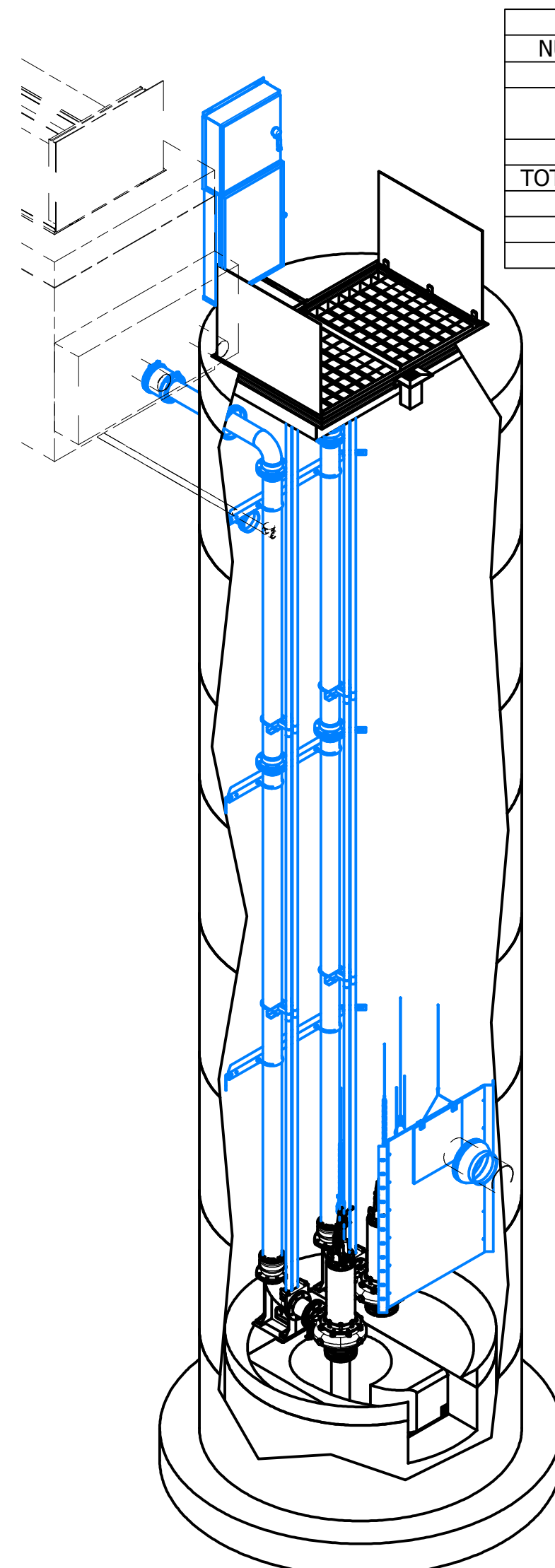
AD	BY	DESCRIPTION	DATE
4	5/21/2019	PRODUCTION LAUNCH UPDATE	
3	3/25/2019	REVISED TO 5ft BARRELS PER OLDCASTLE	
2	2/12/2019	REVISED PER COMMENTS	
1	9-18-18	RIM ELEVATION CHANGE	

REV	DATE	DESCRIPTION
1	9-18-18	RIM ELEVATION CHANGE
2	2/12/2019	REVISED PER COMMENTS
3	3/25/2019	REVISED TO 5ft BARRELS PER OLDCASTLE
4	5/21/2019	PRODUCTION LAUNCH UPDATE

DATE: 8-3-18

ROMTEC UTILITIES  
18240 NORTH BANK ROAD  
ROSEBURG, OREGON 97470  
PHONE: (541) 496-9678  
WWW.ROMTECUTILITIES.COM

HIGHGATE COMMUNITY  
BAKERFIELD, CA  
VALVE VAULT ASSEMBLY  
COMPONENT DRAWING  
MECHANICAL SHEET  
4 OF 8



ISO VIEW  
SCALE 1 / 48

**8' DIAMETER WET WELL  
6" DISCHARGE PIPING  
HIDROSTAL PUMPS  
6" - 687 VALVE VAULT**

PUMP	INFORMATION
NUMBER OF PUMPS	2
TYPE OF PUMPS	HIDROSTAL ESK-L
SIZE OF PUMP	5in SUCTION; 6in DISCHARGE
PUMP CAPACITY	549GPM (EACH PUMP)
TOTAL DYNAMIC HEAD	50.0ft TDH
HORSEPOWER	14.8HP
MOTOR SPEED	1800RPM
POWER SUPPLY	480V, 3PHASE

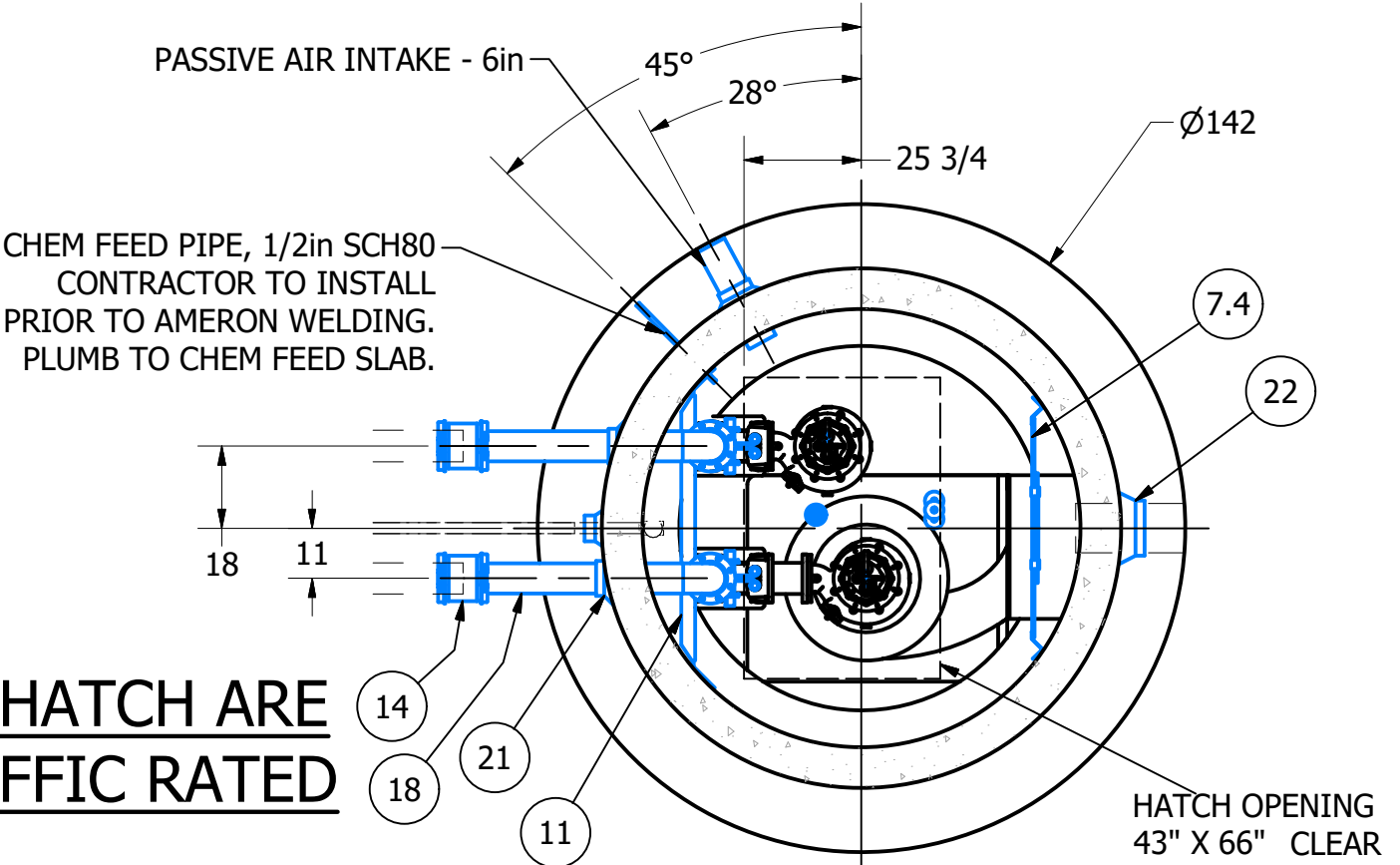
**NOTE: TOP SLAB AND HATCH ARE H-20 OCCASIONAL TRAFFIC RATED**

**FOR PRODUCTION**

**COLOR LEGEND**

- MAJOR CONCRETE COMPONENTS WITH PRE-INSTALLED COMPONENTS.
- COMPONENTS PRE-ASSEMBLED TO THE EXTENT POSSIBLE AND WILL NEED TO BE FIELD INSTALLED.

NOTE: PRE-ASSEMBLY IS DONE AT ROMTEC UTILITIES' DISCRETION AND MAY CHANGE AT THE TIME OF PRODUCTION.



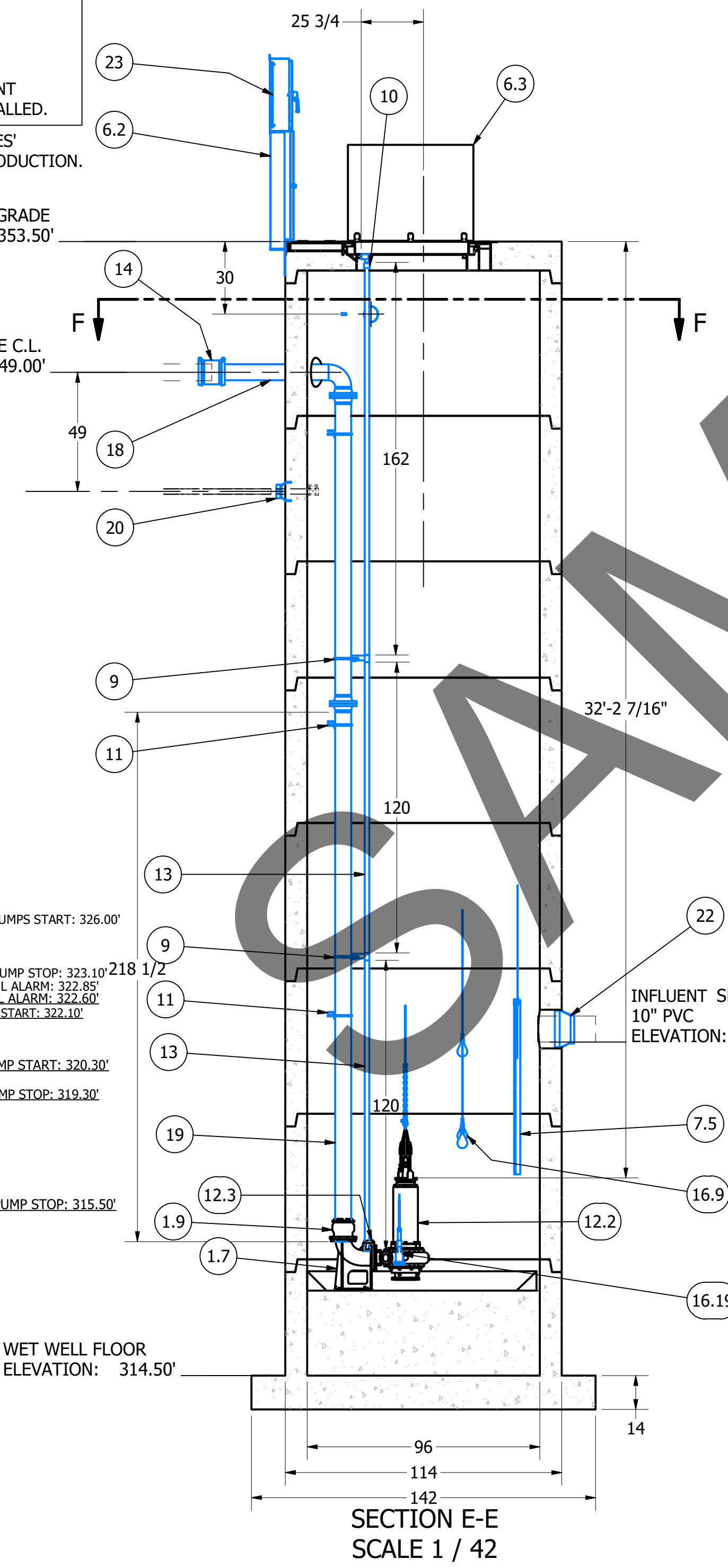
SECTION F-F  
SCALE 1 / 42

SENSOR AND ELEVATION TABLE		
LEVEL ELEVATION	DISTANCE BETWEEN POINTS	SET POINT DESCRIPTION
326.00		INVERT IN
326.00		BACK UP PUMPS START
	2.90	SENSOR SPACING
323.10		BACK UP PUMPS STOP
	0.25	SENSOR SPACING
322.85		BACK UP HL ALARM
322.60		HIGH LEVEL ALARM
	0.50	SENSOR SPACING
322.10		NON PRE-RO PUMP START
	2.80	SPACE START - STOP
320.30		PRE-RO PUMP START
	4.80	SPACE START - STOP
319.30		NON PRE-RO PUMP STOP
315.50		PRE-RO PUMP STOP
314.50		FLOOR ELEVATION

ALL BURIED FLANGE SETS ARE TO BE DOUBLE WRAPPED WITH 10MIL POLYETHYLENE SHEET SEAMED WITH APPROVED PIPE WRAP TAPE. THE IS PROVIDED BY THE CONTRACTOR.

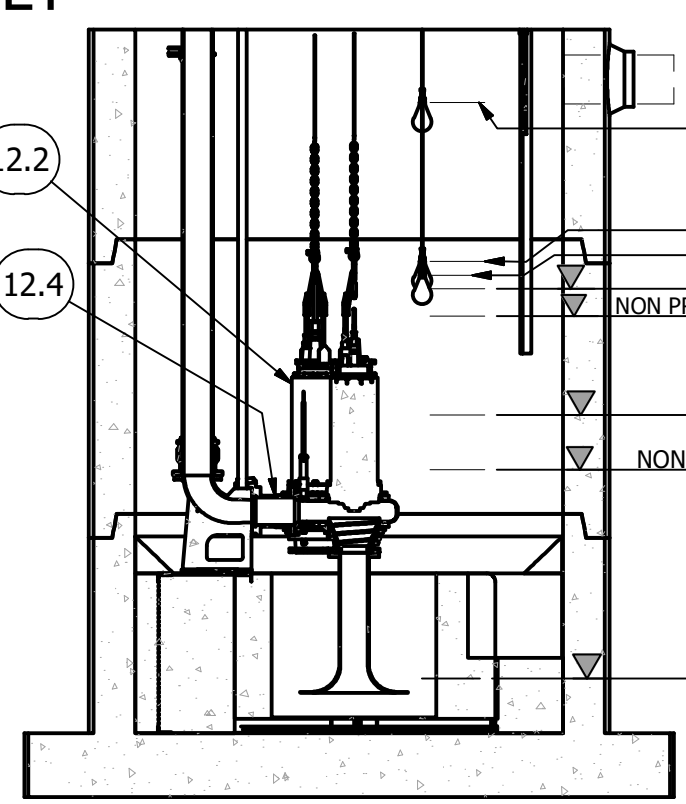
RIM & FINISH GRADE ELEVATION: 353.50'

DISCHARGE PIPE C.L. ELEVATION: 349.00'



SECTION E-E  
SCALE 1 / 42

WET WELL FLOOR ELEVATION: 314.50'



SECTION G-G  
SCALE 1 / 42

NOTE:  
CONDUIT TO CONTROL PANEL (BY OTHERS) MINIMUM:  
(2) FOR POWER  
(1) FOR LEVEL SENSING

ALL MATERIALS SHOWN ON THIS SHEET WILL BE SUPPLIED BY ROMTEC UTILITIES AND DELIVERED TO THE SITE AFTER THE HOLE HAS BEEN EXCAVATED AND SHORED. THE CONTRACTOR SHALL SUPPLY A CRANE OF SUFFICIENT SIZE TO LOWER ALL THE CONCRETE PIECES INTO THE HOLE SAFELY. THE CONTRACTOR SHALL INSTALL THE WET WELL (AND VALVE VAULT AND METERING VAULT IF APPLICABLE). ROMTEC UTILITIES WILL PROVIDE A REPRESENTATIVE FOR TECHNICAL ASSISTANCE ON THE DAY OF INSTALLATION TO ANSWER ANY QUESTIONS THAT MAY ARISE. THE CONTRACTOR IS RESPONSIBLE FOR ALL PLUMBING AND ELECTRICAL CONNECTIONS AND INSTALLATION. ITEMS NOTED AS "BY OTHERS" WILL BE PROVIDED AND INSTALLED BY THE CONTRACTOR. ROMTEC UTILITIES WILL NOT INSTALL ANY OF THE COMPONENTS SHOWN ON THIS PAGE.

© 2018 ROMTEC INC. ALL RIGHTS RESERVED. THESE PLANS AND DRAWINGS MAY NOT BE REPRODUCED, ADAPTED, OR FURTHER DISTRIBUTED, AND NO COMPONENTS MAY BE CONSTRUCTED FROM THESE PLANS, WITHOUT WRITTEN PERMISSION OF ROMTEC, INC.

PARTS LIST			
ITEM	QTY	STOCK NUMBER	DESCRIPTION
1	1	10-CB000000	BASE SLAB ASSEMBLY
1.1	1	10-CB084800	BASE - WM - 8ft DIA x 48in - AMERON
1.2	1	10-GR080000	GROUT RING - 8ft DIA - 8in X 8in
1.3	1	10-GR08800H	GROUT RING - 8ft DIA - HIDROSTAL - 800 BASIN
1.4	1	11-LC0800IN	COATING - INTERIOR - 8ft DIA - GROUT RING
1.5	1	11-LC080HYDR	PREROSTAL 800 BASIN
1.6	2	31-ADE5KLHS	ADAPTER - HIDROSTAL - PUMP BASE PLATE
1.7	2	31-EL0504HS	DISCHARGE ELBOW - 6in x 5in - HIDROSTAL - ESK-L
1.8	2	31-HW00AKS6	ANCHOR KIT - 316SS - DISCHARGE ELBOW
1.9	2	44-AD06RMAL	FLANGE ADAPTER - 6in - ROMAC ALPHA
2	1	11-AM08WELD	WELDING - 8ft DIA - AMERON
3	1	11-LC0800EX	COATING - EXTERIOR - 8ft DIA
4	1	12-CR0848A0	BARREL - 8ft DIA x 4ft H - AMERON
5	6	12-CR0860A0	BARREL - 8ft DIA x 5ft H - AMERON
6	1	14-CT000000	TOP SLAB ASSEMBLY
6.1	1	13-CA089999	CABLE TRAY - 8ft - 24.4375in
6.2	1	13-DS3030SS	DISCONNECT STAND - SS - 30in x 30in x 8in
6.3	1	13-HH08HDEE	HATCH - H20 - 8ft - DUPLEX
6.4	1	13-VT0000AL	VENT - ALUMINUM - FLUSH
6.5	1	14-CT08HDDH	TOP SLAB - 8ft DIA - H20 - AMERON
7	1	15-DP080600	DEFLECTOR PANEL ASSEMBLY - 8ft DIA x 6ft
7.1	2	15-BR00SSGU	BRACKET - SS GUILLOTINE SET
7.2	1	15-DB00CAGU	GUILLOTINE CABLE ASSEMBLY - 29ft TOTAL LENGTH
7.3	1	50-AC00HDPE	HDPE - 24in x 24in - BLACK - INSPECTION COVER
7.4	1	50-AC00HDPE	SHEET - HDPE - 4ft x 8ft - BLACK
7.5	12ft	50-AN080GS6	ANGLE - 316SS 11GA FORMED (8ftww)
8	2	17-AC38000B	BOLT KIT - UPPER GUIDE BAR BRACKET
9	4	17-IG1HS6HS	BRACKET - 316SS - INTERMEDIATE GUIDE BAR - 1.5in - 316SS
10	2	17-UG1HS6HS	BRACKET - 316SS - UPPER GUIDE BAR - 1.5in - 316SS
11	3	18-BRXXXXXX	DISCHARGE PIPE BRACKET - 8ft WW - 6in DI PIPE
12	1	30-PU000000	PUMP SHIPPING CRATE
12.2	2	30-PU0000HS	PUMP - HIDROSTAL - ESK-L - 14.8HP - 50ft CABLE
12.3	1	31-ADBR00HS	ADAPTER BRACKET - GUIDE RAIL - HIDROSTAL
12.4	1	31-ADE5KLHS	SPOOL PIECE ADAPTER - HIDROSTAL - 8.5in
12.7	2	32-CGA000SS	CORD GRIP - .750in - .990 - SS
12.8	2	32-CGH000SS	CORD GRIP - .63in - .74in - SS
12.9	1	32-PL000000	LIFTING RING - PUMP
12.14	2	32-AC0000EB	LIFTING ASSEMBLY - HIDROSTAL
13	136 ft	40-PP1H00S6	PIPE - 316SS SCH40 - 1.5in DIA ( 4 @ 14ft, 8 @ 10ft, GUIDE RAILS)
14	2	44-CP060AD0	COUPLING - 6in - ROMAC ALPHA
15	4	49-GS060000	GASKET - FLANGE - 6in
16	1	50-AC000000	WELL SHIPPING CRATE
16.1	8	12-GS000001	BARREL - GASKET
16.2	1	13-KY000000	HATCH KEY
16.3	4	18-AC00CH00	CABLE HANGER ASSEMBLY
16.4	4	18-HD040000	LIFTING CLUTCH - 4 TON
16.5	8	18-HD080000	LIFTING CLUTCH - 8 TON
16.6	1	51-AC00NSTB	NEVER SIEZE - TUBE
16.7	240	51-BT060000	JOINT WRAP - 6in - BOA TAPE
16.8	261	51-SE0101SL	JOINT SEALANT - 1in - CONSEAL CS-202
16.9	3	80-FS20MSNL	FLOAT - 20m - MS1 - NOLTA
16.16	1	80-BR00PT00	BRACKET - PVC - PRESSURE TRANSDUCER
16.17	1	80-ACBAKSA1	BREATHER ASSEMBLY KIT - SIEMENS
16.18	1	80-PT150SA1	PRESSURE TRANSDUCER - 15PSI - SIEMENS A1000i
16.19	1	80-CA060SA1	HOUSING AND CABLE ASSEMBLY - 60ft - SIEMENS
17	2	57-FF6120S6	SPOOL - 316SS - 6in DIA x 10ft - FLGxFLG
18	2	57-FP0690S6	SPOOL - 6in 316SS SCH40 - FLG x PE - 90deg
19	2	57-FP6216S6	SPOOL - 316SS - 6in DIA x 18ft - FLGxPE
20	1	59-KB080400	KOR-N-SEAL - 8in CORE - 4in thru 1.5in PIPE
21	3	59-KB1206SS	KOR-N-SEAL - 12in CORE x 6in IPS PIPE
22	1	59-KB161000	KOR-N-SEAL - 16in CORE x 10in PIPE
23	1	61-EP3000DC	DISCONNECT PANEL
24	2.0 ft	70-PP0600DR	PIPE - PVC SDR35 - 6in DIA
25	2.0 ft	70-PP0800P8	PIPE - PVC SCH80 - 0.5in DIA

**CONCRETE COATINGS/LININGS**  
 INTERIOR WALL: AMERON T-LOCK  
 INTERIOR BASE: TNEMEC 434/435 PERMA-SHIELD  
 (APPLIED AFTER BASIN AND GROUT INSTALLED)  
 EXTERIOR: TNEMEC 61  
**DUCTILE IRON PIPE COATINGS/LININGS**  
 EXTERIOR: INDURON CERAMAWRAP  
 INTERIOR: PROTECTO 401 LINED.

NOTE: CONTRACTOR TO SEAL ALL CONCRETE JOINTS AND PIPE PENETRATIONS WITH NON-SHRINK GROUT

NOTE: STOCK NUMBERS ABOVE ARE ROMTEC UTILITIES STOCK NUMBERS.  
 NOTE: ALL DIMENSIONS AND ELEVATIONS SHOWN ARE NOMINAL DIMENSIONS. IT IS THE RESPONSIBILITY OF THE ON-SITE CONTRACTOR OR ROMTEC UTILITIES CUSTOMER (NOT ROMTEC UTILITIES) TO VERIFY THE ACCURACY OF ANY CRITICAL DIMENSIONS OR ELEVATIONS PRIOR TO SETTING OR INSTALLING ANY EQUIPMENT.

VERIFY SCALE: 0 1"

PRODUCTION LAUNCH UPDATE  
 REVISED TO 5ft BARRELS PER OLDCASTLE  
 REVISED PER COMMENTS  
 RIM ELEVATION CHANGE  
 DESCRIPTION  
 REVISION HISTORY

DATE: 8-3-18

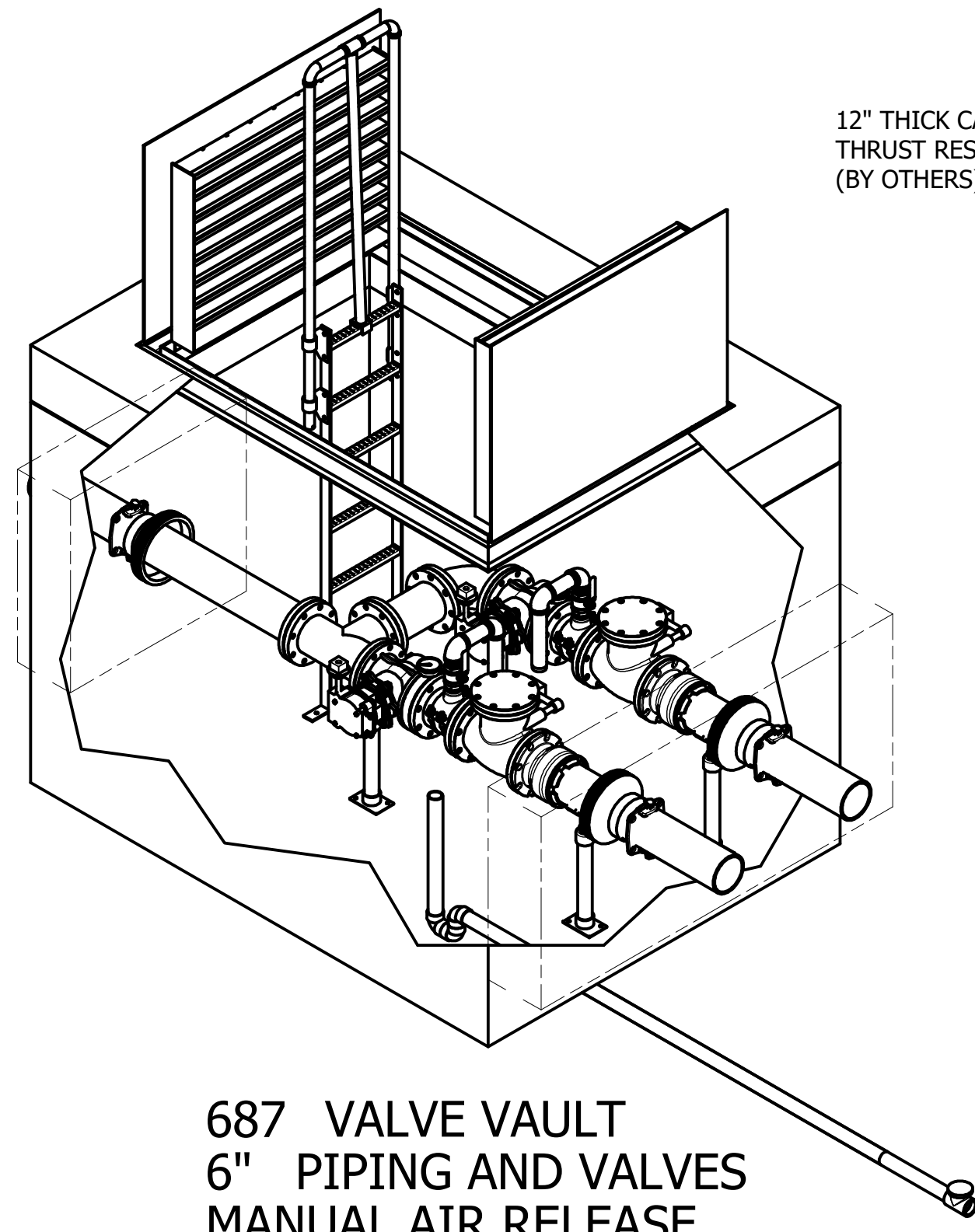
DSN: ANDY DAKE  
 DRN: ANDY DAKE  
 CKD: KEVIN BOGAN

ROMTEC UTILITIES  
 18240 NORTH BANK ROAD  
 ROSEBURG, OREGON 97470  
 PHONE: (541) 496-9678  
 WWW.ROMTECUTILITIES.COM

HIGHGATE COMMUNITY  
 BAKERSFIELD, CA

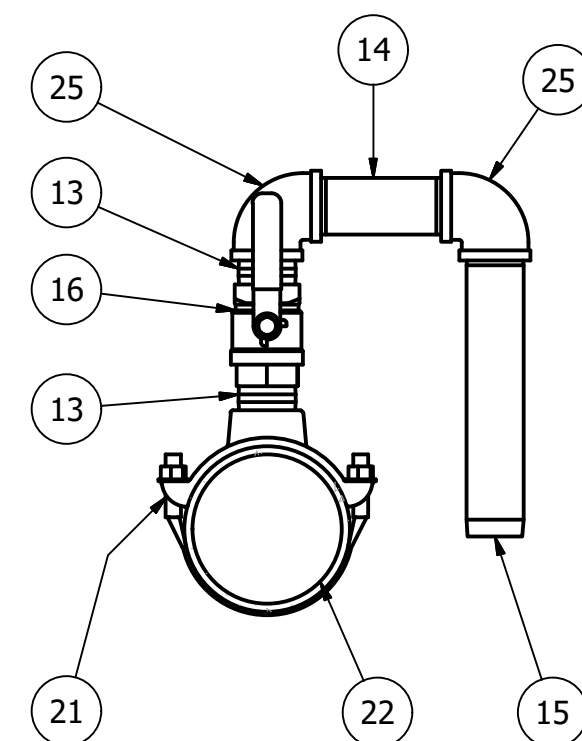
WET WELL ASSEMBLY  
 COMPONENT DRAWING

MECHANICAL SHEET  
 3 OF 8



687 VALVE VAULT  
6" PIPING AND VALVES  
MANUAL AIR RELEASE

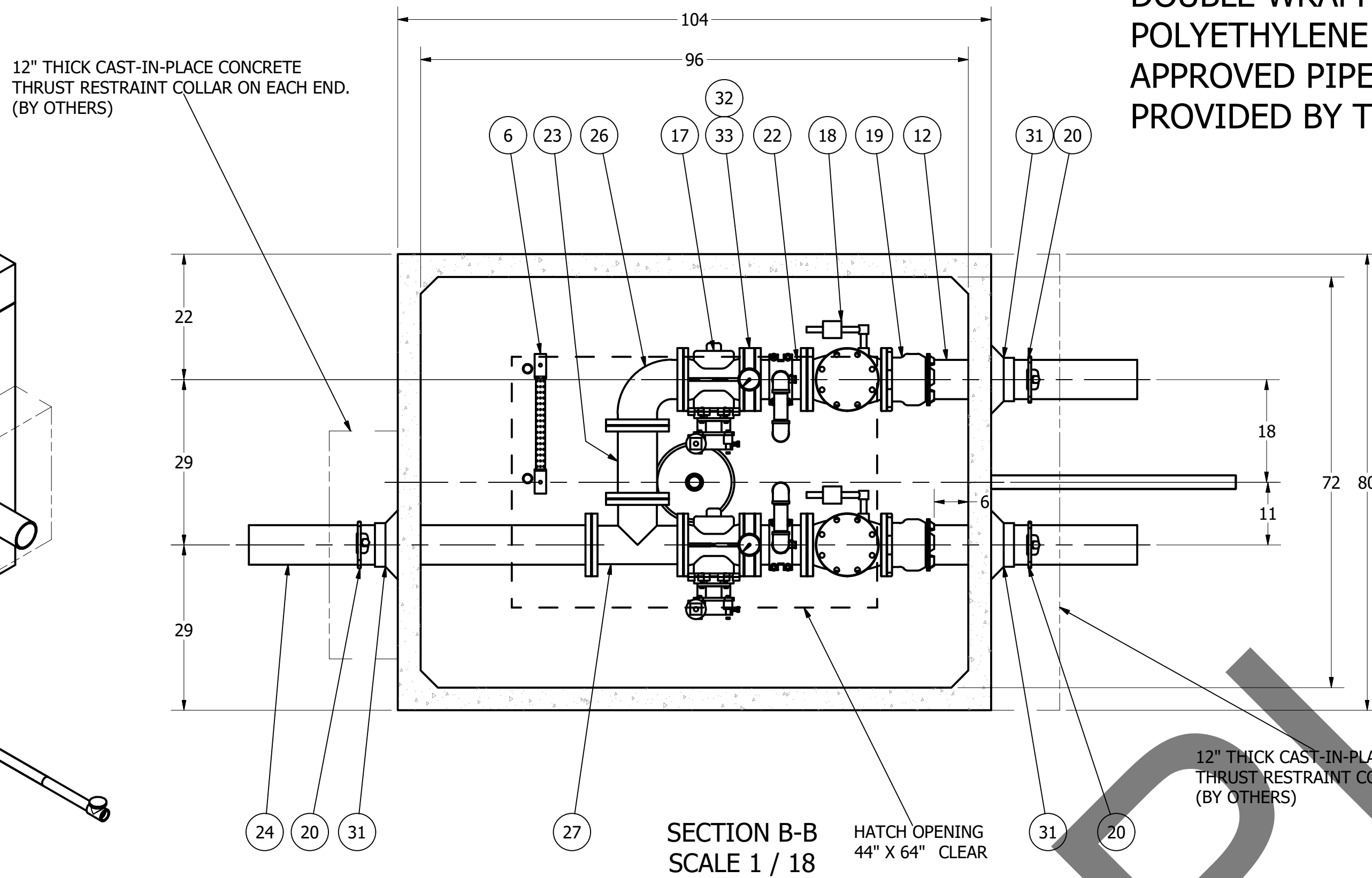
**FOR PRODUCTION**



SECTION D-D  
SCALE 1 / 8

ALL MATERIALS SHOWN ON THIS SHEET WILL BE SUPPLIED BY ROMTEC UTILITIES AND DELIVERED TO THE SITE AFTER THE HOLE HAS BEEN EXCAVATED AND SHORED. THE CONTRACTOR SHALL SUPPLY A CRANE OF SUFFICIENT SIZE TO LOWER ALL THE CONCRETE PIECES INTO THE HOLE SAFELY. THE CONTRACTOR SHALL INSTALL THE WET WELL (AND VALVE VAULT AND METERING VAULT IF APPLICABLE). ROMTEC UTILITIES WILL PROVIDE A REPRESENTATIVE FOR TECHNICAL ASSISTANCE ON THE DAY OF INSTALLATION TO ANSWER ANY QUESTIONS THAT MAY ARISE. THE CONTRACTOR IS RESPONSIBLE FOR ALL PLUMBING AND ELECTRICAL CONNECTIONS AND INSTALLATION. ITEMS NOTED AS "BY OTHERS" WILL BE PROVIDED AND INSTALLED BY THE CONTRACTOR. ROMTEC UTILITIES WILL NOT INSTALL ANY OF THE COMPONENTS SHOWN ON THIS PAGE.

© 2018 ROMTEC INC. ALL RIGHTS RESERVED. THESE PLANS AND DRAWINGS MAY NOT BE REPRODUCED, ADAPTED, OR FURTHER DISTRIBUTED, AND NO COMPONENTS MAY BE CONSTRUCTED FROM THESE PLANS, WITHOUT WRITTEN PERMISSION OF ROMTEC, INC.



SECTION B-B  
SCALE 1 / 18  
HATCH OPENING  
44" X 64" CLEAR

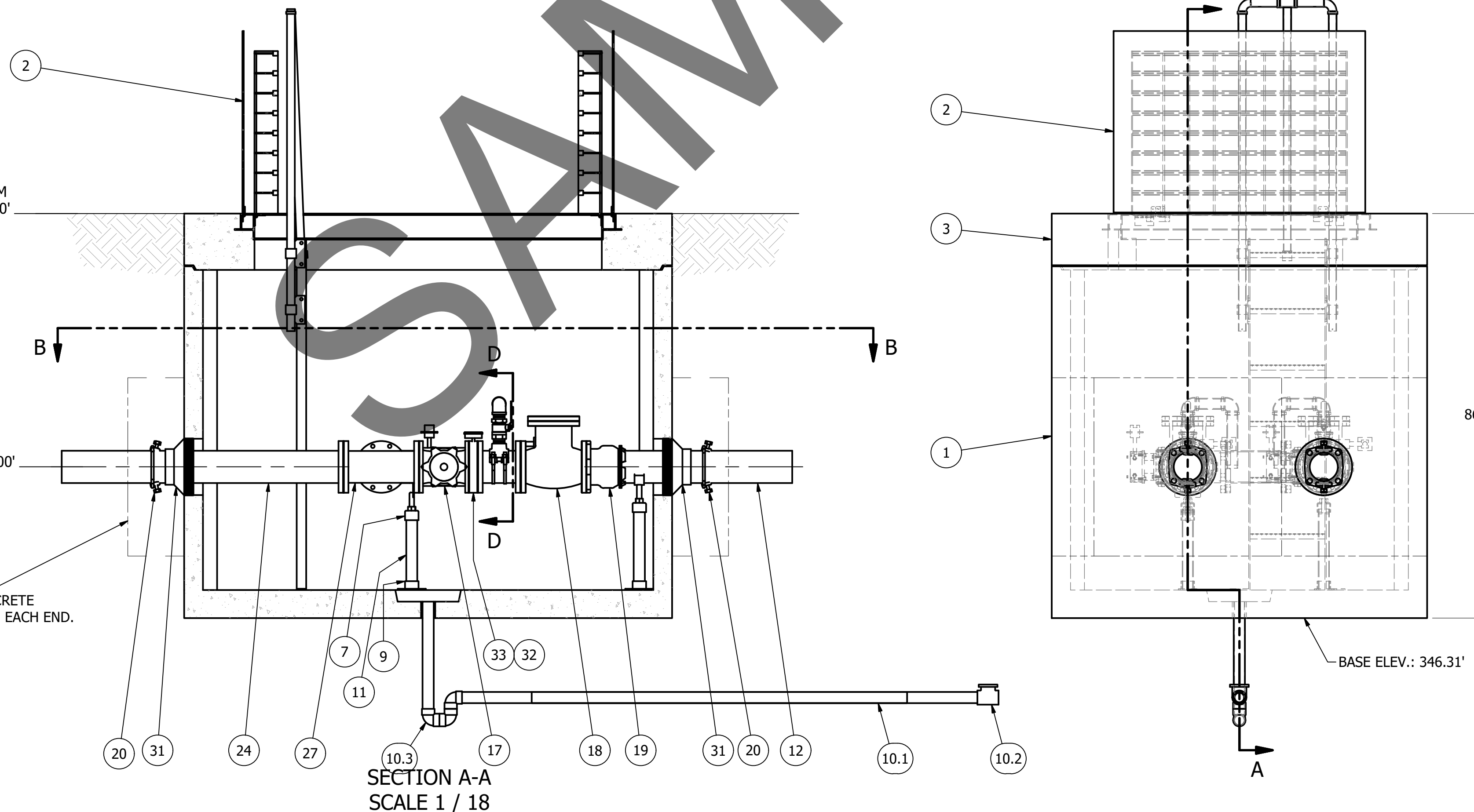
ALL BURIED FLANGE SETS ARE TO BE DOUBLE WRAPPED WITH 10 MIL POLYETHYLENE SHEET SEEMED WITH APPROVED PIPE WRAP TAPE. THIS IS PROVIDED BY THE CONTRACTOR.

12" THICK CAST-IN-PLACE CONCRETE THRUST RESTRAINT COLLAR ON EACH END. (BY OTHERS)

FINISH GRADE & RIM  
ELEVATION: 353.50'

12" THICK CAST-IN-PLACE CONCRETE THRUST RESTRAINT COLLAR ON EACH END. (BY OTHERS)

DISCHARGE C.L.  
ELEVATION: 349.00'



SECTION A-A  
SCALE 1 / 18

ITEM		QTY	STOCK NUMBER	DESCRIPTION
1	1	20-CB687000	BASE - WV - 687	
2	1	23-HH687GHE	HATCH - WV - 687 - H20 - SAFETY GRATE	
3	1	24-CT687HD0	TOP SLAB - WV - 687 - H20	
4	2	25-KY000BR	BRACKET - VALVE KEY	
5	1	25-KY000GW	VALVE KEY - EXTENDABLE GATE WRENCH	
6	1	25-LD060300	LADDER - 6ft-3in	
7	1	25-PS06S89F	PIPE STAND - FLANGE - 6in	
8	2	25-PS06S92S	PIPE STAND - 304SS - 6in SADDLE	
9	4	25-PS06BASE	PIPE STAND BASE - 304SS - 2in - 2 BOLT	
10	1	25-XXXX	DRAIN - VALVE VAULT	
10.1	20 ft	70-PP0200P4	PIPE - PVC SCH40 - 2in DIA	
10.2	1	72-DB020SP8	DRAINBACK VALVE - PVC - 2in	
10.3	3	76-EL029040	ELBOW - PVC SCH40 - 2in x 90deg - SLIP	
11	10ft	40-PP0200S4	PIPE - 304SS SCH40 - 2in DIA	
12	7.0 ft	40-PP0600D0	PIPE - DI - 6in DIA CL52 - IC/P401 (2 x 42in)	
13	4	40-TT0202S4	NIPPLE - 304SS - 2in SCH40 X CLOSE	
14	2	40-TT0206S4	NIPPLE - 304SS - 2in DIA x 6in	
15	2	40-TT0212S4	NIPPLE - 304SS - 2in DIA x 12in	
16	2	41-BV0200S4	BALL VALVE - 304SS - 2in - SPRING RETURN - APPOLO 76-508-01	
17	2	41-PV060GD0	PLUG VALVE - 6in - GEAR OP NUT - VALMATIC 5806R/7A02XF	
18	2	42-LW0600D0	CHECK VALVE - LEVER & WEIGHT - 6in - VALMATIC 7806LW	
19	2	44-AD06RMAL	FLANGE ADAPTER - 6in - ROMAC ALPHA	
20	3	44-RG060STR	RETAINER GLAND - 6in - HEAVY DUTY	
21	2	44-TS060200	TAPPING SADDLE - 6in PIPE x 2in FNPT - ROMAC 101NS-6.90X2in NPT	
22	2	45-FF060090	SPOOL - DI - 6in DIA x 9in - FLGXFLG - IC/P401	
23	1	45-FF061230	SPOOL - DI - 6in DIA x 12.75in - FLGXFLG - IC/P401	
24	1	45-FP060600	SPOOL - DI - 6in DIA x 60in - FLGXPE - IC/P401	
25	4	46-EL0290S4	ELBOW - 304SS - 2in x 90deg - FNPT	
26	1	46-EL0690DI	ELBOW - DI - 6in x 90deg - FLGXFLG - IC/P401	
27	1	46-TE0606DI	TEE - DI - 6in - FLGXFLG - IC/P401	
28	11	49-GS060000	GASKET - FLANGE - 6in	
29	31	51-BT060000	JOINT WRAP - 6in - BOA TAPE	
30	43.5	51-SE0101SL	JOINT SEALANT - 1in - CONSEAL CS-202	
31	3	59-KB1206DI	KOR-N-SEAL - 12in CORE x 6in DIPS PIPE	
32	2	81-PG3H00QB	PRESSURE GAUGE - 3.5in DIA x .25in MNPT BACK - xxx#	
33	2	83-GI060000	ISO RING - 6in - ASHCROFT	

NOTE: TOP SLAB AND HATCH ARE H-20 OCCASIONAL TRAFFIC RATED

DUCTILE IRON PIPE COATINGS/LININGS  
EXTERIOR: INDURON CERAMAWRAP  
INTERIOR: PROTECTO 401 LINED.

NOTE: STOCK NUMBERS ABOVE ARE ROMTEC UTILITIES STOCK NUMBERS.

NOTE: CONTRACTOR TO SEAL ALL CONCRETE JOINTS AND PIPE PENETRATIONS WITH NON-SHRINK GROUT

NOTE: ALL DIMENSIONS AND ELEVATIONS SHOWN ARE NOMINAL DIMENSIONS. IT IS THE RESPONSIBILITY OF THE ON-SITE CONTRACTOR OR ROMTEC UTILITIES CUSTOMER (NOT ROMTEC UTILITIES) TO VERIFY THE ACCURACY OF ANY CRITICAL DIMENSIONS OR ELEVATIONS PRIOR TO SETTING OR INSTALLING ANY EQUIPMENT.

ITEM		QTY	STOCK NUMBER	DESCRIPTION
1	1	20-CB687000	BASE - WV - 687	
2	1	23-HH687GHE	HATCH - WV - 687 - H20 - SAFETY GRATE	
3	1	24-CT687HD0	TOP SLAB - WV - 687 - H20	
4	2	25-KY000BR	BRACKET - VALVE KEY	
5	1	25-KY000GW	VALVE KEY - EXTENDABLE GATE WRENCH	
6	1	25-LD060300	LADDER - 6ft-3in	
7	1	25-PS06S89F	PIPE STAND - FLANGE - 6in	
8	2	25-PS06S92S	PIPE STAND - 304SS - 6in SADDLE	
9	4	25-PS06BASE	PIPE STAND BASE - 304SS - 2in - 2 BOLT	
10	1	25-XXXX	DRAIN - VALVE VAULT	
10.1	20 ft	70-PP0200P4	PIPE - PVC SCH40 - 2in DIA	
10.2	1	72-DB020SP8	DRAINBACK VALVE - PVC - 2in	
10.3	3	76-EL029040	ELBOW - PVC SCH40 - 2in x 90deg - SLIP	
11	10ft	40-PP0200S4	PIPE - 304SS SCH40 - 2in DIA	
12	7.0 ft	40-PP0600D0	PIPE - DI - 6in DIA CL52 - IC/P401 (2 x 42in)	
13	4	40-TT0202S4	NIPPLE - 304SS - 2in SCH40 X CLOSE	
14	2	40-TT0206S4	NIPPLE - 304SS - 2in DIA x 6in	
15	2	40-TT0212S4	NIPPLE - 304SS - 2in DIA x 12in	
16	2	41-BV0200S4	BALL VALVE - 304SS - 2in - SPRING RETURN - APPOLO 76-508-01	
17	2	41-PV060GD0	PLUG VALVE - 6in - GEAR OP NUT - VALMATIC 5806R/7A02XF	
18	2	42-LW0600D0	CHECK VALVE - LEVER & WEIGHT - 6in - VALMATIC 7806LW	
19	2	44-AD06RMAL	FLANGE ADAPTER - 6in - ROMAC ALPHA	
20	3	44-RG060STR	RETAINER GLAND - 6in - HEAVY DUTY	
21	2	44-TS060200	TAPPING SADDLE - 6in PIPE x 2in FNPT - ROMAC 101NS-6.90X2in NPT	
22	2	45-FF060090	SPOOL - DI - 6in DIA x 9in - FLGXFLG - IC/P401	
23	1	45-FF061230	SPOOL - DI - 6in DIA x 12.75in - FLGXFLG - IC/P401	
24	1	45-FP060600	SPOOL - DI - 6in DIA x 60in - FLGXPE - IC/P401	
25	4	46-EL0290S4	ELBOW - 304SS - 2in x 90deg - FNPT	
26	1	46-EL0690DI	ELBOW - DI - 6in x 90deg - FLGXFLG - IC/P401	
27	1	46-TE0606DI	TEE - DI - 6in - FLGXFLG - IC/P401	
28	11	49-GS060000	GASKET - FLANGE - 6in	
29	31	51-BT060000	JOINT WRAP - 6in - BOA TAPE	
30	43.5	51-SE0101SL	JOINT SEALANT - 1in - CONSEAL CS-202	
31	3	59-KB1206DI	KOR-N-SEAL - 12in CORE x 6in DIPS PIPE	
32	2	81-PG3H00QB	PRESSURE GAUGE - 3.5in DIA x .25in MNPT BACK - xxx#	
33	2	83-GI060000	ISO RING - 6in - ASHCROFT	

REVISION HISTORY	
REV	DESCRIPTION
1	RIM ELEVATION CHANGE
2	REVISED PER COMMENTS
3	REVISED TO 5ft BARRELS PER OLDCASTLE
4	PRODUCTION LAUNCH UPDATE

DATE: 8-3-18

0 1"

ROMTEC UTILITIES  
18240 NORTH BANK ROAD  
ROSEBURG, OREGON 97470  
PHONE: (541) 496-9678  
WWW.ROMTECUTILITIES.COM

HIGHGATE COMMUNITY  
BAKERFIELD, CA

VALVE VAULT ASSEMBLY  
COMPONENT DRAWING

MECHANICAL SHEET  
4 OF 8