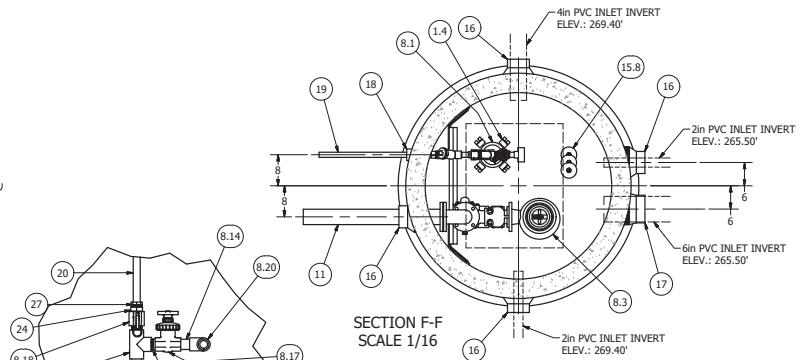


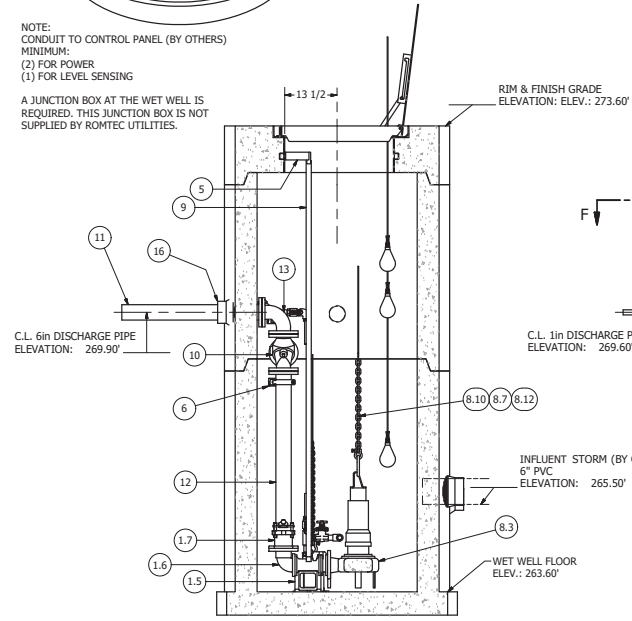
NOTE:
CONDUIT TO CONTROL PANEL (BY OTHERS)
MINIMUM:
(2) FOR POWER
(1) FOR LEVEL SENSING
A JUNCTION BOX AT THE WET WELL IS
REQUIRED. THIS JUNCTION BOX IS NOT
SUPPLIED BY ROMTEC UTILITIES.



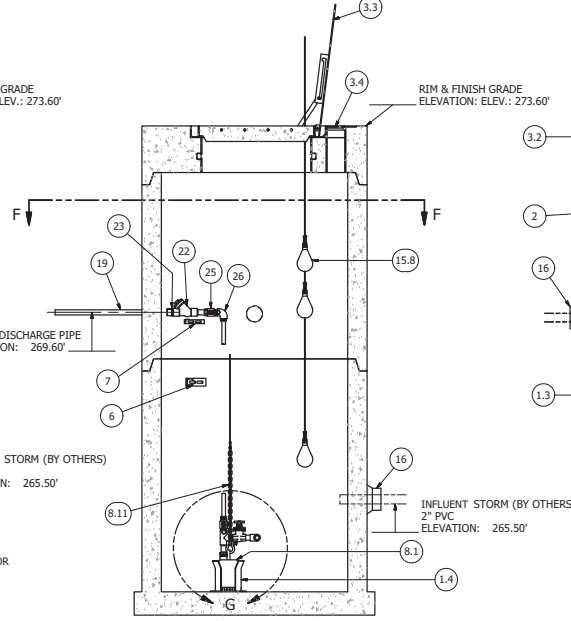
MISC. ELEVATION TABLE	
DESCRIPTION	ELEVATION
H.L. ALARM	271.50
LARGE PUMP START	271.00
SMALL PUMP START	270.00
PUMPS STOP	266.80

DETAIL G
SCALE 1 / 8

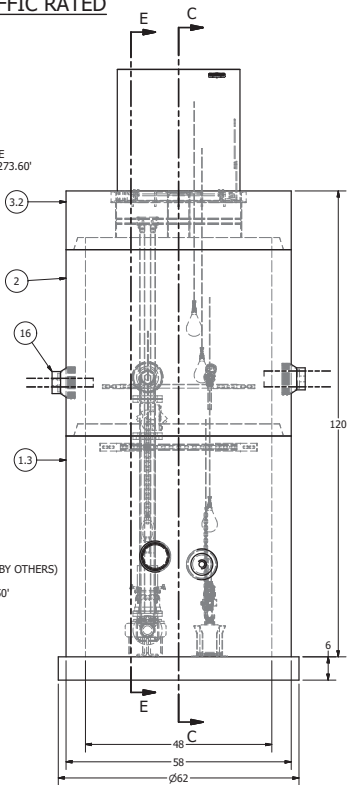
**NOTE: TOP SLAB AND HATCH ARE
H-20 OCCASIONAL TRAFFIC RATED**



SECTION E-E
SCALE 1/16



SECTION C-C
SCALE 1/16



**4" DIAMETER WET WELL
3" & 1" DISCHARGE PIPING
EBARA PUMPS**

NOTE: CONTRACTOR TO SEAL ALL CONCRETE JOINTS
AND PIPE PENETRATIONS WITH NON-SHRINK GROUT

NOTE: ALL DIMENSIONS AND ELEVATIONS SHOWN
ARE NOMINAL DIMENSIONS. IT IS THE RESPONSIBILITY
OF THE ON-SITE CONTRACTOR OR ROMTEC UTILITIES
CUSTOMER (NOT ROMTEC UTILITIES) TO VERIFY THE
ACCURACY OF ANY CRITICAL DIMENSIONS OR ELEVATIONS
PRIOR TO SETTING OR INSTALLING ANY EQUIPMENT.

PARTS LIST			
ITEM	QTY	STOCK NUMBER	DESCRIPTION
1	1	18-CB000000	BASE SLAB ASSEMBLY
1.2	2	31-H00AK56	ANCHOR KIT - 316SS - DISCHARGE ELBOW
1.3	1	10-CB046000	BASE - MW - 4ft DIA x 00in
1.4	1	31-BR999999	PUMP SUPPORT CAGE - OPTIMA
1.5	1	31-Q003LNEB	QUICK DISCHARGE CONNECTOR - 3in - EBARA LM80
1.6	1	31-EL0303EB	DISCHARGE ELBOW - 3in x 3in - EBARA
1.7	1	44-AD038H00	RFGA - 3in - ROMAC - FBEC W/SS HARDWARE
2	1	12-CR044800	BARREL - 4ft DIA x 4ft H
3	1	14-CT000000	TOP SLAB ASSEMBLY
3.2	1	14-CT04HD00	TOP SLAB - 4ft DIA - H20
3.3	1	13-HH04HD00	HATCH - H20 OCCASIONAL - 4ft
3.4	1	13-VT0000AL	VENT - ALUMINUM - FLUSH
4	2	17-AC380000	BOLT KIT - UPPER GUIDE BAR BRACKET
5	1	17-UG0154EB	BRACKET - 304SS - UPPER GUIDE BAR - 1in - EBARA
6	1	18-BR999999	BRACKET ASSEMBLY - 316SS - DISCHARGE SUPPORT
7	1	18-BR999999	BRACKET ASSEMBLY - 316SS - DISCHARGE SUPPORT
8	1	30-PU000000	PUMP SHIPPING CRATE
8.1	1	30-PU000000	PUMP - EBARA - Optima-3M51 - .33hp - 20ft CABLE
8.3	1	30-PU000000	PUMP - EBARA 100DLFUG1.5 - 2HP - 33FT CABLE
8.4	1	32-AC580LTK	LINK - 316SS - .625in - OBLONG - 2800# MLL
8.5	1	32-B50H00SS	BOW SHACKLE - 316SS - 1-2in
8.6	1	32-B53800SS	BOW SHACKLE - 316SS - 3-8in
8.7	1	32-B57160SS	BOW SHACKLE - 316SS - 7-16in
8.8	2	32-GA0000SS	CORD GRIP - .750in - .990 - SS
8.9	1	32-PL000000	LIFTING RING - PUMP
8.10	2 ft	32-PL3800SS	CHAIN - 316SS - 3-8in S5
8.11	2 ft	32-PL9320SS	CHAIN - 316SS - 9-32in S5
8.12	1	32-PLLSANYL	LIFTING SLING ASSEMBLY - COATED CABLE
8.13	1	32-PLLSAPOL	LIFTING SLING ASSEMBLY - POLY
8.14	0.3ft	70-PP0100P8	PIPE - PVC SCH80 - 1in DIA
8.15	1	70-TT0102P8	NIPPLE - PVC SCH80 - 1in DIA x 2in - THD ONE END
8.16	1	70-TT0103P8	NIPPLE - PVC SCH80 - 1in DIA x 3in
8.17	1	71-GV010SP8	GATE VALVE - PVC SCH80 - 1in - SLIP
8.18	1	74-CL0101SM	CAM LOCK - 1in SOCKET x 1in MNPT
8.19	1	76-TE01018T	TEE - PVC SCH80 - 1in - FNPT
8.20	1	76-TE010180	TEE - PVC SCH80 - 1in - SLIP
8.21	1	78-BH01018M	BUSHING - PVC SCH80 - 1.25in x 1in - MNPT x FNPT
9	17 ft	40-PP0100S4	PIPE - 304SS SCH40 - 1in DIA
10	1	42-SF030000	CHECK VALVE - SWING FLEX - 3in
11	1	45-FF030300	SPOOL - DI - 3in DIA x 36in - FLGxPE
12	1	45-FF030400	SPOOL - DI - 3in DIA x 48in - FLGxPE
13	1	46-EL0390DI	ELBOW - DI - 3in x 90deg - FLGxFLG
14	3	49-GS030000	GASKET - FLANGE - 3in
15	1	50-AC000000	WELL SHIPPING CRATE
15.1	2	12-GS000001	BARREL - GASKET
15.2	1	13-KV000000	HATCH KEY
15.3	4	18-AC000000	CABLE HANGER ASSEMBLY
15.4	2	18-HD0000EY	LIFTING EYE
15.5	1	51-AC00NSTB	NEVER SIEZE - TUBE
15.6	32	51-BT060000	JOINT WRAP - 6in x BOA TAPE
15.7	42	51-SE3Q3QSL	SEALANT - 0.75in x 0.75in - 21ft/ROLL - CS-202
15.8	3	80-FS20MSNL	FLOAT - 20m - M51 - NOLTA
16	4	59-KB080400	KOR-N-SEAL - 8in CORE - 4in thru 1.5in PIPE
17	1	59-KB0806P0	KOR-N-SEAL - 8in CORE x 6in PVC PIPE
18	1	59-LS010300	LINK SEAL - 1in x 3in
19	2.5 ft	70-PP0100P8	PIPE - PVC SCH80 - 1in DIA
20	5 ft	70-PP3QFLEX	FLEX HOSE - .75in DIA
21	1	70-TT0103P8	NIPPLE - PVC SCH80 - 1in DIA x 3in
22	1	72-BC01F5P8	BALL CHECK VALVE - PVC SCH80 - 1in - 20BT - FLOWMATIC
23	1	74-AD01008M	ADAPTER - PVC SCH80 - 1in - SLIP x MNPT
24	2	74-CL0101PF	CAM LOCK - 1in PLUG x 1in FNPT
25	1	74-CL0101SM	CAM LOCK - 1in SOCKET x 1in MNPT
26	1	76-EL01908T	ELBOW - PVC SCH80 - 1in x 90deg - NPT
27	2	78-BH01308M	BUSHING - PVC SCH80 - 1in x .75in - MNPT x FNPT

1025 SWEETWATER
SPRING VALLEY, CA

18240 NORTH BANK ROAD
ROSEBURG, OREGON 97470
PHONE: (541) 995-9678
WWW.ROMTECUTILITIES.COM

MECHANICAL SHEET
3 OF 3

DATE: 11-27-18
REV: 2-1-19
DESCRIPTION: 4ft WET WELL, 3in & 1in PIPING COMPONENT DRAWING

FOR DESIGN REVIEW

© 2018 ROMTEC INC. ALL RIGHTS RESERVED. THESE
PLANS AND DRAWINGS MAY NOT BE REPRODUCED,
ADAPTED, OR FURTHER DISTRIBUTED, AND NO
COMPONENTS MAY BE CONSTRUCTED FROM THESE
PLANS, WITHOUT WRITTEN PERMISSION OF ROMTEC, INC.