

REV	DATE	DESCRIPTION
1	8-17-18	PER 8-18 REVISE COMMENTS
2	11/7/2018	COMMENTS, AS BUILT

DATE: 7-11-18  
 DSN: KEVIN BOGANN  
 CKM: 11/7/2018  
 0

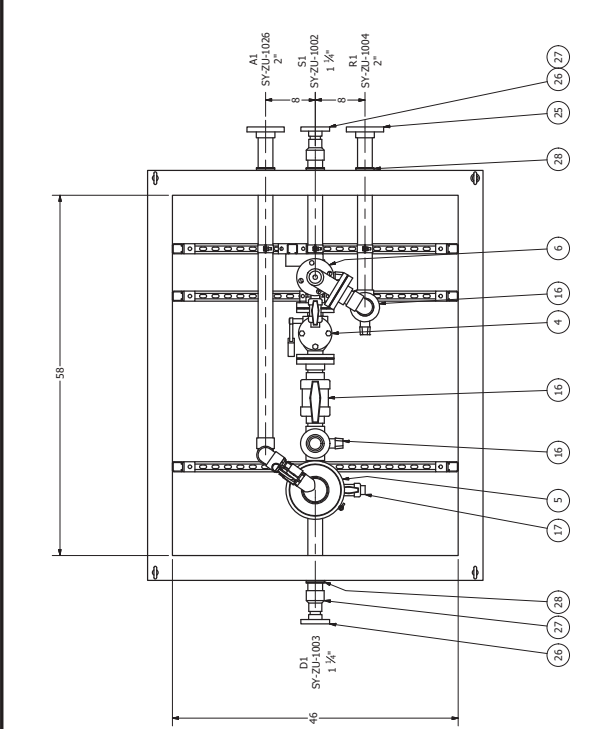
VERTICAL SCALE  
 1" = 1'



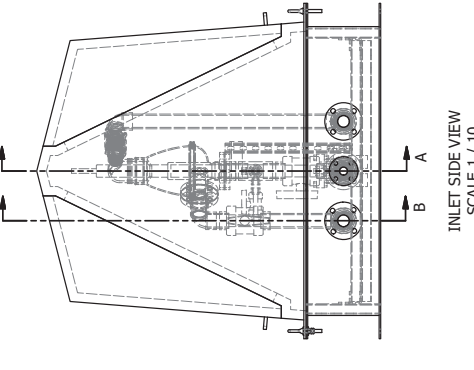
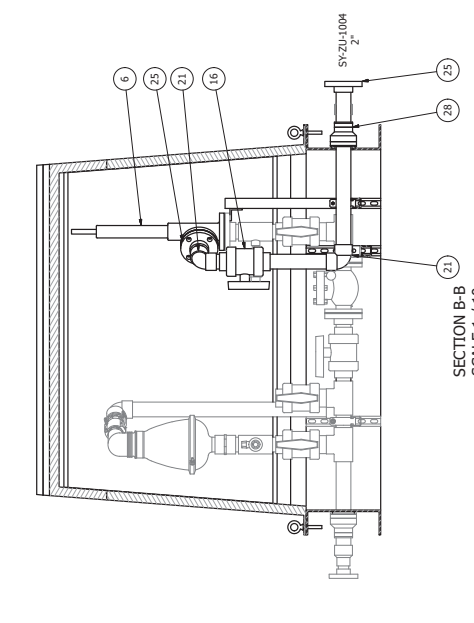
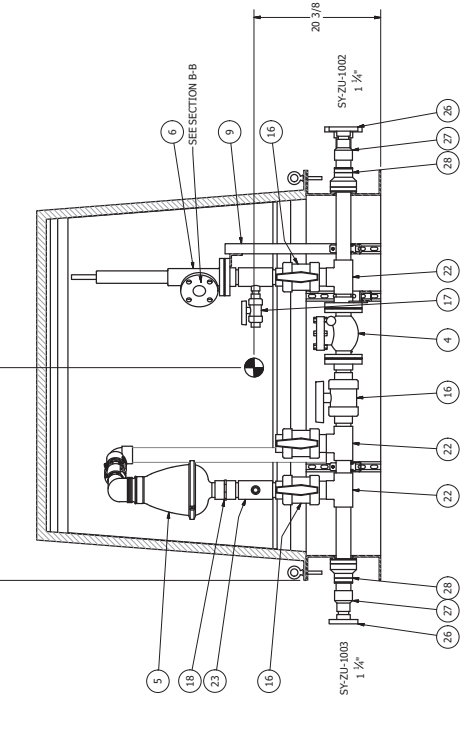
GCGV PROJECT  
 GVG#1 ASSEMBLY  
 COMPONENT DRAWING  
 ZUX01  
 MECHANICAL SHEET  
 1 OF 7

ITEM	QTY	STOCK NUMBER	DESCRIPTION
1	4	18-ACQZCL56	DISCHARGE CLAMP - 316SS - 2in - STRUTMOUNT
2	1	20-HH999999	ENCLOSURE - FIBERGLASS - ENDROD 4808x
3	1	25-PS299999	FLANGE SUPPORT BRACKET 2in
4	1	25-PS299999	FLANGE SUPPORT BRACKET 2in
5	1	43-AV200000	FLANGE W/ AIR VACUUM RELEASE - 2in - ARI
6	1	43-AV200000	PRESSURE RELIEF VALVE - 2in - ROSS
7	4	49-GS200000	GASKET - FLANGE - 2in
8	1	59-AN020256	ANGLE - 316SS - 2in x 2in
9	1	59-BR099999	BRACKET - 316SS - PRV SUPPORT
10	1	59-SK099999	SKID ASSEMBLY - STEEL
11	16.5	59-US000056	UNISTRUT - 316SS - SLOTTED
12	6	59-USHS0000	CHANNEL CONNECTER - SINGLE
13	18.0	70-PP020008	PIPE - PVC SCH80 - 2in DIA
14	0.5	70-PP020008	PIPE - PVC SCH80 - 1.25in DIA
15	0.4	71-PP020008	PIPE - PVC SCH80 - .75in DIA
16	3	71-PP020008	PIPE - PVC SCH80 - .75in DIA
17	3	71-PP020008	PIPE - PVC SCH80 - .75in DIA
18	1	74-AD010000	ADAPTER - PVC SCH80 - 2in x 1.5in x FNPT
19	1	74-AD010000	ADAPTER - PVC SCH80 - 2in x 1.5in x FNPT
20	1	74-CL010000	CAM LOCK - 1.5in SOCKET x 1.5in FNPT
21	4	76-EL020000	ELBOW - PVC SCH80 - 2in x 90deg - SLIP
22	3	76-TE020000	TEE - PVC SCH80 - 2in x .75in - SLIP
23	2	76-TE020000	TEE - PVC SCH80 - 2in x .75in - SLIP
24	1	78-BH020000	BUSHING - PVC SCH80 - 2in x 1.5in x SLIP
25	6	78-FL020000	FLANGE - PVC SCH80 - 2in
26	2	78-FL020000	FLANGE - PVC SCH80 - 2in
27	2	78-RO020000	REDUCER - PVC SCH80 - 2in x 1.25in
28	4	78-RO020000	REDUCER - PVC SCH80 - 2in x 1.25in

NOTES:  
 1) ALL PVC FLANGES SHALL BE FLAT FACE AND HAVE BOLT HOLES DRILLED PER ASTM B6. CLASS 125 / B16.5 CLASS 150  
 2) ALL PVC FITTINGS SHALL BE PER ASTM D1798 & D2467  
 3) PVC FITTINGS PER ASTM D1798 & D2467  
 4) FOR DETAILS REGARDING ENCLOSURE & SKID, SEE SHEET 7  
 5) APPROXIMATE WEIGHT (LIFTING/EMPTY): 845 LBS  
 6) APPROXIMATE WEIGHT (LIFTING/EMPTY): 845 LBS  
 7) EACH PRV VALVE TO HAVE STAINLESS EQUIPMENT TAG  
 SHOWING THE EQUIPMENT TAG NUMBER AND P.O. NUMBER



ISO VIEW  
 SCALE 1 / 10



NOTE: ALL DIMENSIONS AND ELEVATIONS SHOWN ARE NOMINAL DIMENSIONS. IT IS THE RESPONSIBILITY OF THE ON-SITE CONTRACTOR OR ROMTEC UTILITIES CUSTOMER (NOT ROMTEC UTILITIES) TO VERIFY THE DIMENSIONS AND ELEVATIONS OF THE EQUIPMENT PRIOR TO SETTING OR INSTALLING ANY EQUIPMENT.

© 2018 ROMTEC, INC. ALL RIGHTS RESERVED. THESE DRAWINGS ARE THE PROPERTY OF ROMTEC, INC. AND NO ADAPTED, OR FURTHER DISTRIBUTED, AND NO COMPONENTS MAY BE CONSTRUCTED FROM THESE PLANS, WITHOUT WRITTEN PERMISSION OF ROMTEC, INC.