

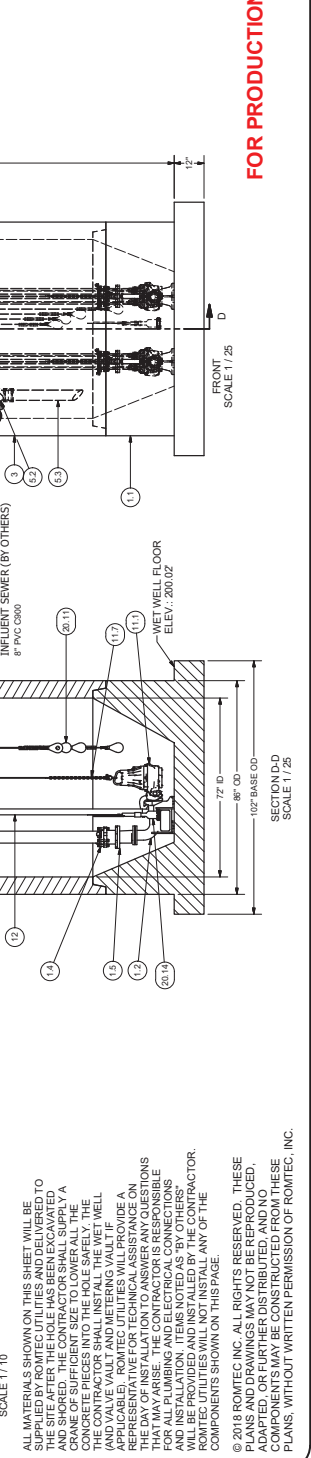
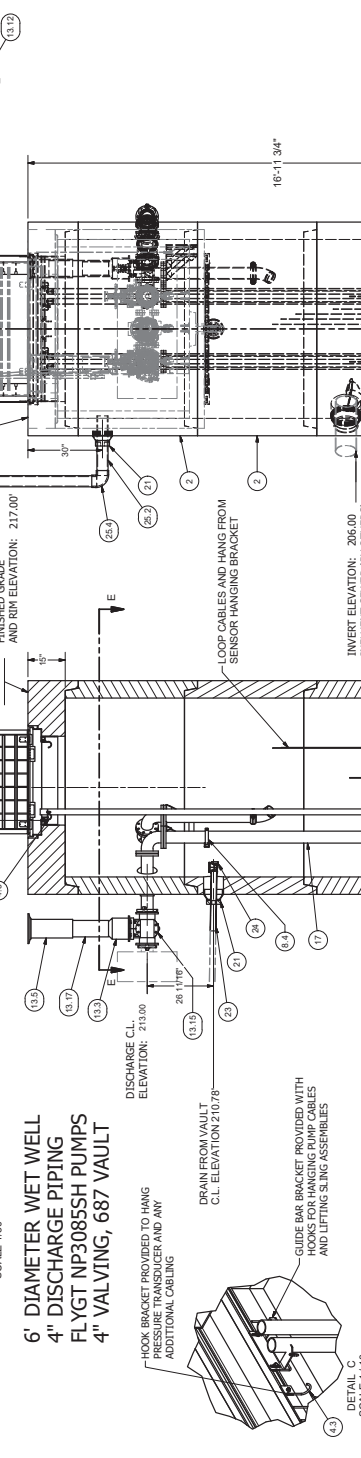
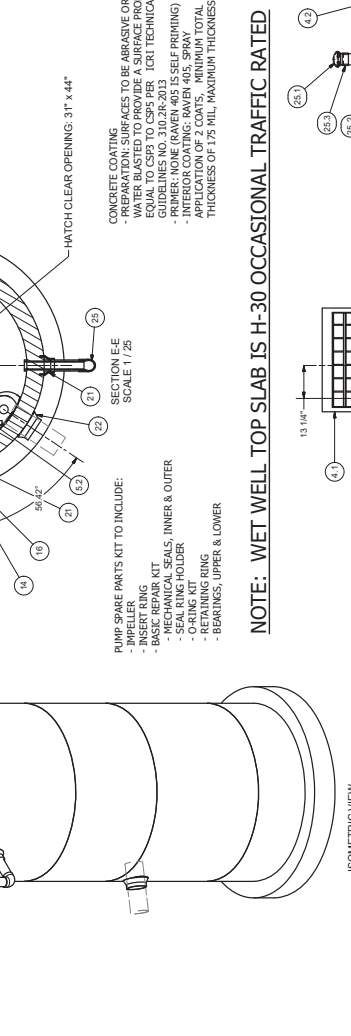
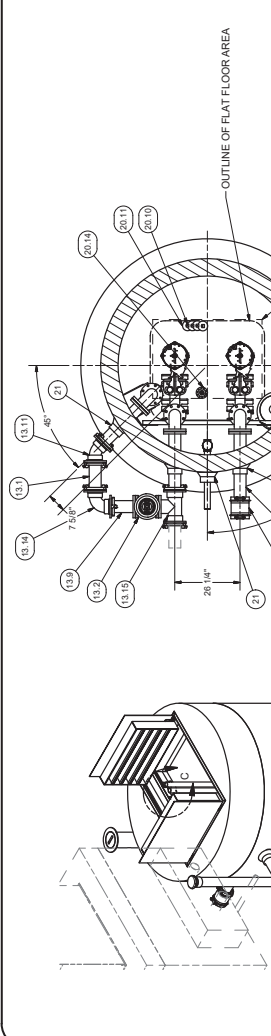
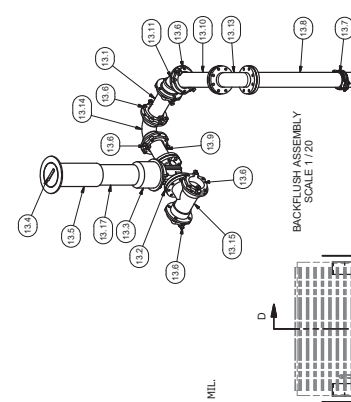
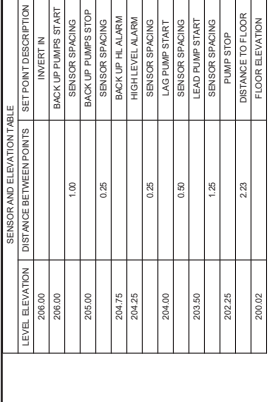
ITEM	QTY	STOCK NUMBER	DESCRIPTION
1	1	12-CR060000	BASE SLAB ASSEMBLY
2	1	14-EL020010	DISCHARGE ELBOW - 90° - FLYGT
3	2	31-HW020000	ANCHOR KIT - 3/8SS - DISCHARGE ELBOW
4	2	44-AC000000	RFCA - 4# - ROMAC - FREQ. W/SS HARDWARE
5	2	46-SS020000	GASKET - F-FLANGE - 3in
6	2	12-CR060000	BARREL - 6# DIA. 4# H
7	1	12-CR060000	BARREL - 6# DIA. 4# H
8	1	13-TR020000	HATCH CLEAR OPENING
9	1	14-CT100100	TOP SLAB - 4# DIA. 1/4SD
10	2	80-ER090000	BRACKET - 3/16SS - HANGING HOOKS
11	1	15-08090000	DRIP BOW ASSEMBLY
12	1	15-08090000	DRIP BOW ASSEMBLY
13	2	17-AC000000	BOIT KIT - UPPER GUIDE BAR BRACKET
14	2	17-AC000000	BOIT KIT - LOWER GUIDE BAR BRACKET
15	2	18-AC000000	BOIT KIT - 3/16SS - WALL BRACKET
16	2	18-AC000000	BOIT KIT - DISCHARGE CLAMP - BOIT W/SHRDLR LOCK NUT
17	2	18-AC000000	UNSTRUT - 3/16SS - SCOTED
18	1	30-HU000000	PUMP SHIPPING CRATE
19	1	30-HU000000	PUMP SHIPPING CRATE
20	1	32-CA020000	CORNGRIP - 7/8in x 3/8in x 3/8in
21	1	32-FL020000	GRIP EYE UNIT
22	1	32-AC000000	PUMP LIFTING SLING - 3/16SS - ELYGT
23	1	32-AC000000	PUMP LIFTING SLING - 3/16SS - ELYGT
24	1	32-AC000000	PIPE - 1/2" DIA. 3/8in - FLYGT W/SHRDLR
25	1	40-FR090000	BACK FLUSH ASSEMBLY - 1/2" (Ø 1/2" DIA)
26	1	40-FR090000	BACK FLUSH ASSEMBLY - 1/2" (Ø 1/2" DIA)
27	1	41-EL040000	ELBOW - DI - 4in x 4in - 90deg - MAM/J
28	1	41-EL040000	ELBOW - DI - 4in x 4in - 90deg - FLO/G/L/G
29	1	41-EL040000	ELBOW - DI - 4in x 4in - 90deg - MAM/J
30	1	41-EL040000	ELBOW - DI - 4in x 4in - 90deg - FLO/G/L/G
31	1	41-EL040000	ELBOW - DI - 4in x 4in - 90deg - MAM/J
32	1	41-EL040000	ELBOW - DI - 4in x 4in - 90deg - FLO/G/L/G
33	1	41-EL040000	ELBOW - DI - 4in x 4in - 90deg - MAM/J
34	1	41-EL040000	ELBOW - DI - 4in x 4in - 90deg - FLO/G/L/G
35	1	41-EL040000	ELBOW - DI - 4in x 4in - 90deg - MAM/J
36	1	41-EL040000	ELBOW - DI - 4in x 4in - 90deg - FLO/G/L/G
37	1	41-EL040000	ELBOW - DI - 4in x 4in - 90deg - MAM/J
38	1	41-EL040000	ELBOW - DI - 4in x 4in - 90deg - FLO/G/L/G
39	1	41-EL040000	ELBOW - DI - 4in x 4in - 90deg - MAM/J
40	1	41-EL040000	ELBOW - DI - 4in x 4in - 90deg - FLO/G/L/G

ITEM	QTY	STOCK NUMBER	DESCRIPTION
41	1	41-VR020000	VALVE BOX - TOP
42	1	41-VR020000	VALVE BOX - TOP
43	1	41-VR020000	VALVE BOX - TOP
44	1	41-VR020000	VALVE BOX - TOP
45	1	41-VR020000	VALVE BOX - TOP
46	1	41-VR020000	VALVE BOX - TOP
47	1	41-VR020000	VALVE BOX - TOP
48	1	41-VR020000	VALVE BOX - TOP
49	1	41-VR020000	VALVE BOX - TOP
50	1	41-VR020000	VALVE BOX - TOP
51	1	41-VR020000	VALVE BOX - TOP
52	1	41-VR020000	VALVE BOX - TOP
53	1	41-VR020000	VALVE BOX - TOP
54	1	41-VR020000	VALVE BOX - TOP
55	1	41-VR020000	VALVE BOX - TOP
56	1	41-VR020000	VALVE BOX - TOP
57	1	41-VR020000	VALVE BOX - TOP
58	1	41-VR020000	VALVE BOX - TOP
59	1	41-VR020000	VALVE BOX - TOP
60	1	41-VR020000	VALVE BOX - TOP
61	1	41-VR020000	VALVE BOX - TOP
62	1	41-VR020000	VALVE BOX - TOP
63	1	41-VR020000	VALVE BOX - TOP
64	1	41-VR020000	VALVE BOX - TOP
65	1	41-VR020000	VALVE BOX - TOP
66	1	41-VR020000	VALVE BOX - TOP
67	1	41-VR020000	VALVE BOX - TOP
68	1	41-VR020000	VALVE BOX - TOP
69	1	41-VR020000	VALVE BOX - TOP
70	1	41-VR020000	VALVE BOX - TOP
71	1	41-VR020000	VALVE BOX - TOP
72	1	41-VR020000	VALVE BOX - TOP
73	1	41-VR020000	VALVE BOX - TOP
74	1	41-VR020000	VALVE BOX - TOP
75	1	41-VR020000	VALVE BOX - TOP
76	1	41-VR020000	VALVE BOX - TOP
77	1	41-VR020000	VALVE BOX - TOP
78	1	41-VR020000	VALVE BOX - TOP
79	1	41-VR020000	VALVE BOX - TOP
80	1	41-VR020000	VALVE BOX - TOP
81	1	41-VR020000	VALVE BOX - TOP
82	1	41-VR020000	VALVE BOX - TOP
83	1	41-VR020000	VALVE BOX - TOP
84	1	41-VR020000	VALVE BOX - TOP
85	1	41-VR020000	VALVE BOX - TOP
86	1	41-VR020000	VALVE BOX - TOP
87	1	41-VR020000	VALVE BOX - TOP
88	1	41-VR020000	VALVE BOX - TOP
89	1	41-VR020000	VALVE BOX - TOP
90	1	41-VR020000	VALVE BOX - TOP

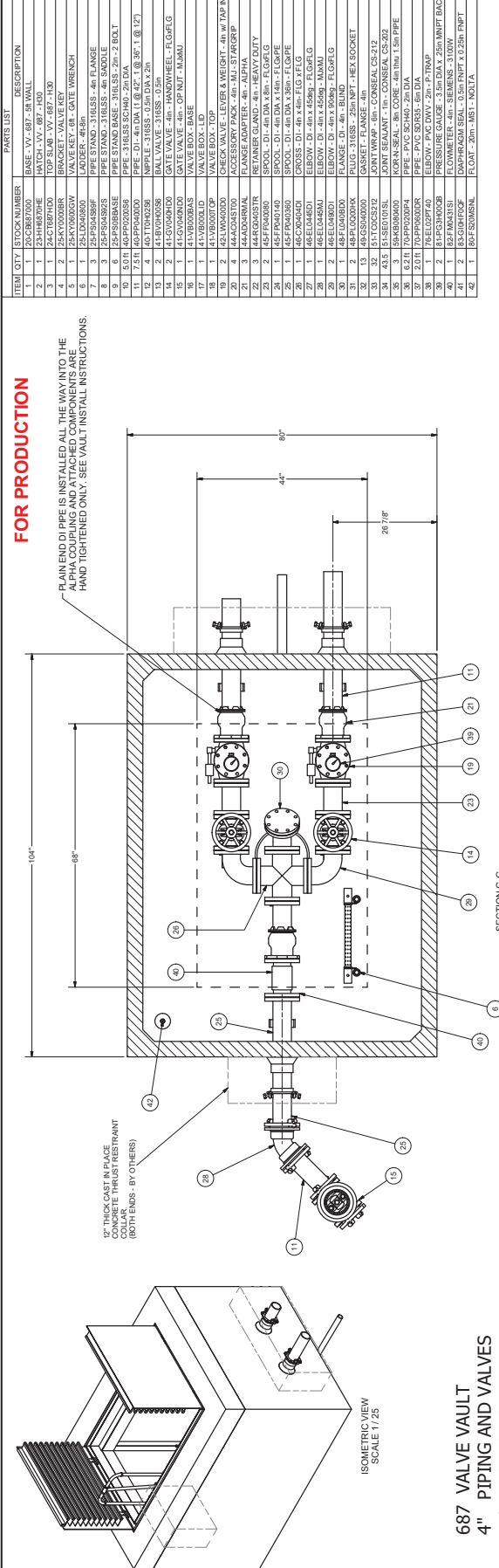
NOTE: MATERIALS LISTED AS 316SS WILL BE 316L IF AVAILABLE, IF UNAVAILABLE 316SS WILL BE PROVIDED

ALL CONCRETE JOINTS AND PENETRATIONS MUST BE GROUT SEALED BY THE CONTRACTOR, NOT ROMTEC UTILITIES

NOTE: ALL DIMENSIONS AND ELEVATIONS SHOWN ARE NOMINAL DIMENSIONS. IT IS THE RESPONSIBILITY OF THE ON-SITE CONTRACTOR OR ROMTEC UTILITIES CUSTOMER (NOT ROMTEC UTILITIES) TO VERIFY THE DIMENSIONS AND ELEVATIONS PRIOR TO SETTING OR INSTALLING ANY EQUIPMENT.



FOR PRODUCTION

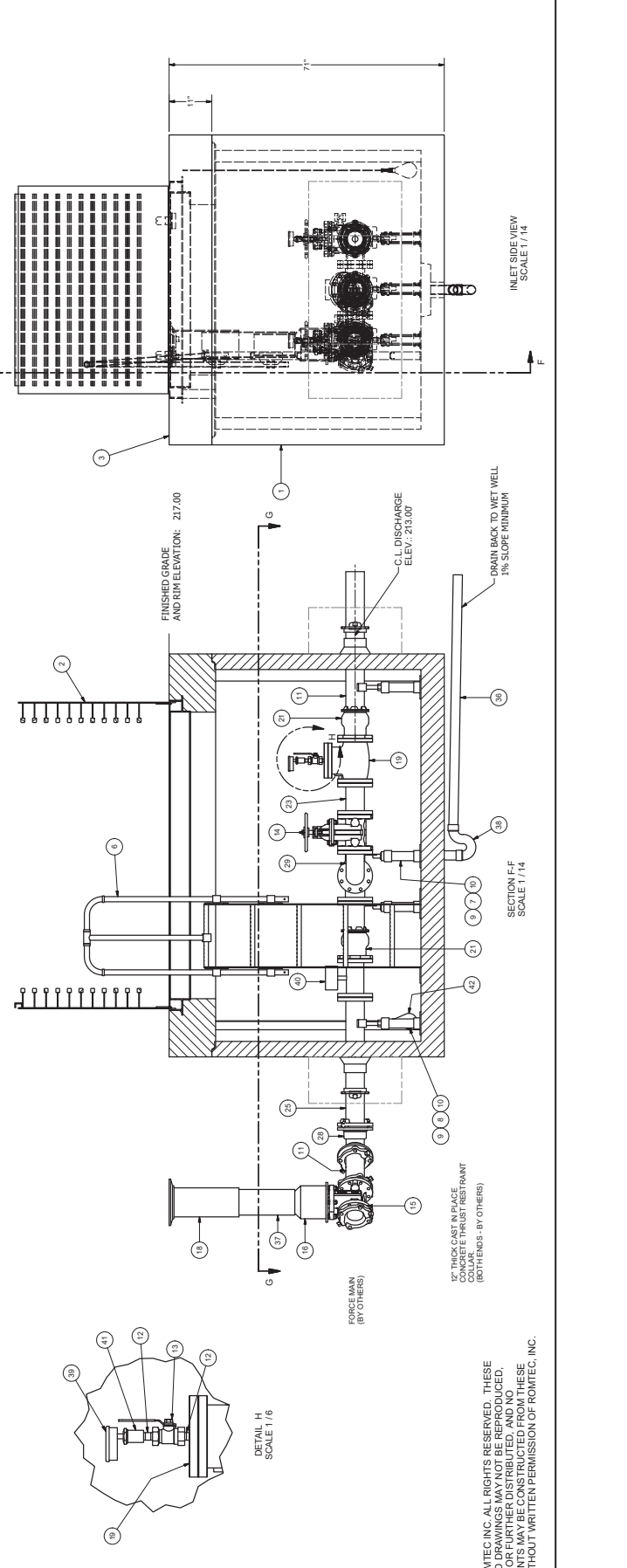


**687 VALVE VAULT
4" PIPING AND VALVES
W/ PIGGING PORT**

ITEM	QTY	STOCK NUMBER	DESCRIPTION
1	1	148-FV00000	BASE - 60" x 80" x 8" W/ WALL
2	1	124-C1168FH00	TOP SLAB - 1/4" x 68" x 80"
3	1	124-C1168FH00	TOP SLAB - 1/4" x 68" x 80"
4	2	25-KV0000R	BRACKET - VALVE KEY
5	1	25-KV0000W	VALVE KEY - 4" - GATE WRENCH
6	1	25-KV0000W	VALVE KEY - 4" - GATE WRENCH
7	3	25-P04082F	PIPE STAND - 316SS - 4" FLANGE
8	3	25-P04082S	PIPE STAND - 316SS - 4" SADDLE
9	8	25-F0508BASE	PIPE STAND BASE - 316SS - 2" x 2 BOLT
10	1	148-FV00000	BASE - 60" x 80" x 8" W/ WALL
11	1	148-FV00000	BASE - 60" x 80" x 8" W/ WALL
12	4	148-FV00000	BASE - 60" x 80" x 8" W/ WALL
13	2	148-FV00000	BASE - 60" x 80" x 8" W/ WALL
14	2	148-FV00000	BASE - 60" x 80" x 8" W/ WALL
15	1	148-FV00000	BASE - 60" x 80" x 8" W/ WALL
16	1	148-FV00000	BASE - 60" x 80" x 8" W/ WALL
17	1	148-FV00000	BASE - 60" x 80" x 8" W/ WALL
18	1	148-FV00000	BASE - 60" x 80" x 8" W/ WALL
19	1	148-FV00000	BASE - 60" x 80" x 8" W/ WALL
20	1	148-FV00000	BASE - 60" x 80" x 8" W/ WALL
21	3	148-FV00000	BASE - 60" x 80" x 8" W/ WALL
22	3	148-FV00000	BASE - 60" x 80" x 8" W/ WALL
23	2	148-FV00000	BASE - 60" x 80" x 8" W/ WALL
24	1	148-FV00000	BASE - 60" x 80" x 8" W/ WALL
25	1	148-FV00000	BASE - 60" x 80" x 8" W/ WALL
26	1	148-FV00000	BASE - 60" x 80" x 8" W/ WALL
27	1	148-FV00000	BASE - 60" x 80" x 8" W/ WALL
28	2	148-FV00000	BASE - 60" x 80" x 8" W/ WALL
29	1	148-FV00000	BASE - 60" x 80" x 8" W/ WALL
30	1	148-FV00000	BASE - 60" x 80" x 8" W/ WALL
31	2	148-FV00000	BASE - 60" x 80" x 8" W/ WALL
32	1	148-FV00000	BASE - 60" x 80" x 8" W/ WALL
33	1	148-FV00000	BASE - 60" x 80" x 8" W/ WALL
34	1	148-FV00000	BASE - 60" x 80" x 8" W/ WALL
35	1	148-FV00000	BASE - 60" x 80" x 8" W/ WALL
36	1	148-FV00000	BASE - 60" x 80" x 8" W/ WALL
37	1	148-FV00000	BASE - 60" x 80" x 8" W/ WALL
38	2	148-FV00000	BASE - 60" x 80" x 8" W/ WALL
39	1	148-FV00000	BASE - 60" x 80" x 8" W/ WALL
40	1	148-FV00000	BASE - 60" x 80" x 8" W/ WALL
41	1	148-FV00000	BASE - 60" x 80" x 8" W/ WALL
42	1	148-FV00000	BASE - 60" x 80" x 8" W/ WALL

NOTE: MATERIALS LISTED AS 316SS WILL BE 316L IF AVAILABLE OR 316SS MINIMUM

NOTE: VAULT TOP SLAB IS H-30 OCCASIONAL RATED



© 2018 ROWTEC, INC. ALL RIGHTS RESERVED. THESE PLANS AND DRAWINGS MAY NOT BE REPRODUCED, ADAPTED, OR FURTHER DISTRIBUTED, AND NO COMPONENTS MAY BE CONSTRUCTED FROM THESE PLANS, WITHOUT WRITTEN PERMISSION OF ROWTEC, INC.

ROWTEC UTILITIES
18240 NORTH BANK ROAD
ROSEBURG, OREGON 97470
(541) 496-9678
FAX (541) 496-0804

**ON THE RIDGE LIFT STATION
VALVE VAULT ASSEMBLY**

SHEET
2 OF 2

JOB NUMBER
RMTC

DATE: 9/10/18
APPROVED: KB
REVISION HISTORY:
1. CHANGED ELEVATION TO 45 DEGREES
2. SHORTER IN AND END PIPE ON RIGHT

COMPONENT DRAWING

REVISION SCALE: 1" = 1'-0"
DRAWN: DSN
CHECKED: CMC
DATE: 9/10/18